



US00D376474S

# United States Patent [19]

[11] **Patent Number: Des. 376,474**

**Marks**

[45] **Date of Patent: \*\*Dec. 17, 1996**

[54] **SOFT GUN CLEANING CASE**

*Assistant Examiner*—Catherine R. Oliver  
*Attorney, Agent, or Firm*—Bond, Schoeneck & King, LLP

[75] Inventor: **Doreen Marks**, Boonville, N.Y.

[57] **CLAIM**

[73] Assignee: **Otis Products, Inc.**, Boonville, N.Y.

The ornamental design for a soft gun cleaning case, as shown and described.

[\*\*] Term: **14 Years**

**DESCRIPTION**

[21] Appl. No.: **52,492**

FIG. 1 is a front view of my design for a soft gun cleaning case in the open position;

[22] Filed: **Apr. 1, 1996**

FIG. 2 is a rear view thereof;

[52] U.S. Cl. .... **D3/262**

FIG. 3 is a right side view thereof, with the left side being a mirror image thereof;

[58] Field of Search ..... D3/262; 206/317, 206/314, 315.11; 224/913

FIG. 4 is a top plan view shown in the closed position;

[56] **References Cited**

**U.S. PATENT DOCUMENTS**

D. 339,470	9/1993	Marks	.....	D3/262
D. 362,116	9/1995	Bellington	.....	D3/262
3,191,652	6/1965	Benson et al.	.....	206/317
3,437,247	4/1969	Gantress	.....	206/317
3,701,371	10/1972	Stackhouse	.....	206/317
4,257,464	3/1981	Binney	.	

FIG. 5 is a bottom plan view thereof;

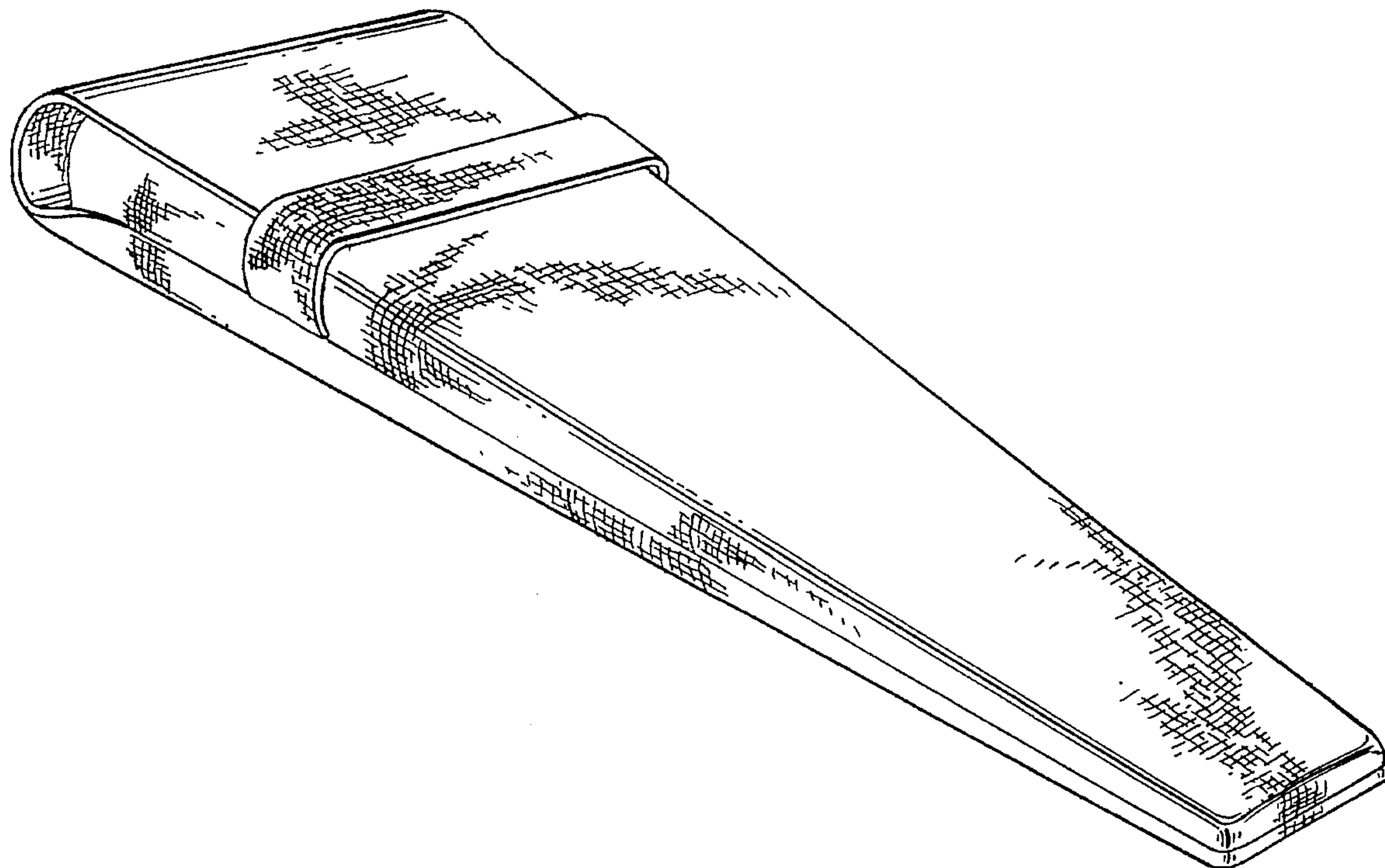
FIG. 6 is a front, right, bottom perspective view shown in the closed position;

FIG. 7 is a rear, right, bottom perspective view shown in the open position; and,

FIG. 8 is a rear, right bottom perspective view shown in the closed position.

*Primary Examiner*—Doris V. Coles

**1 Claim, 5 Drawing Sheets**



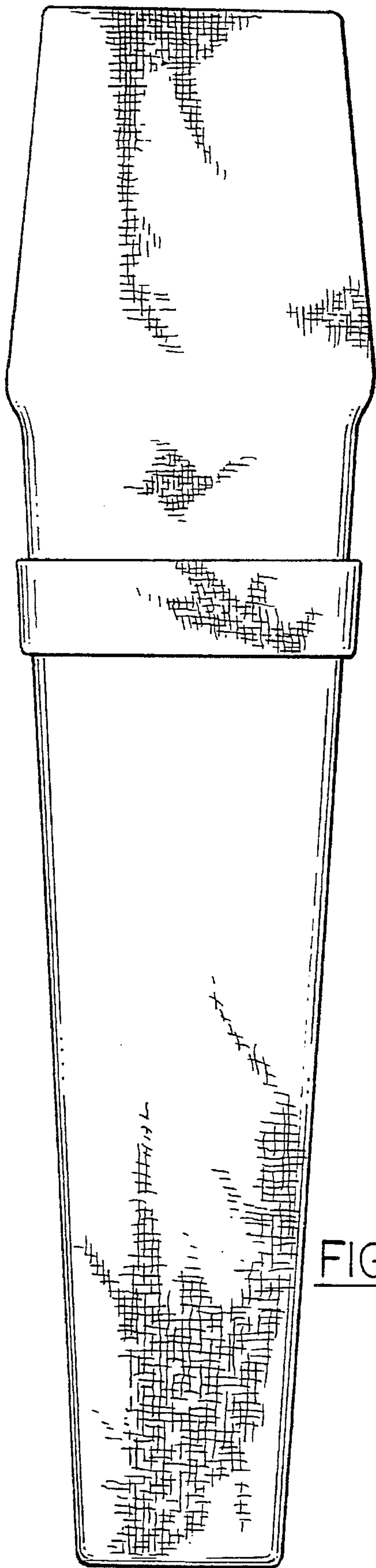


FIG. 1

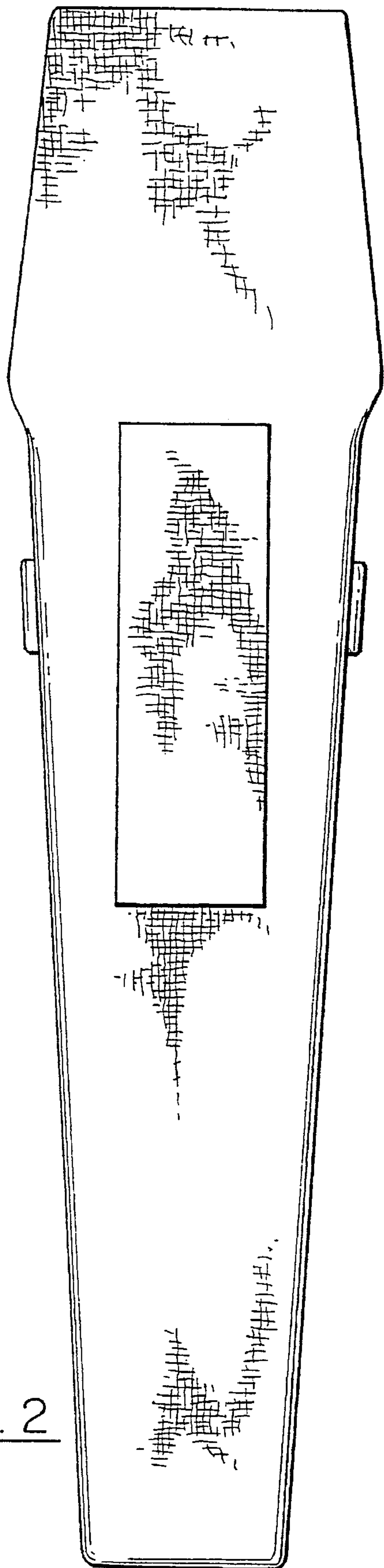


FIG. 2

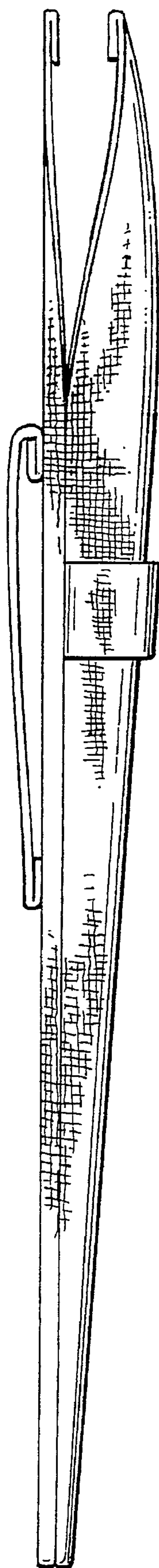


FIG. 3

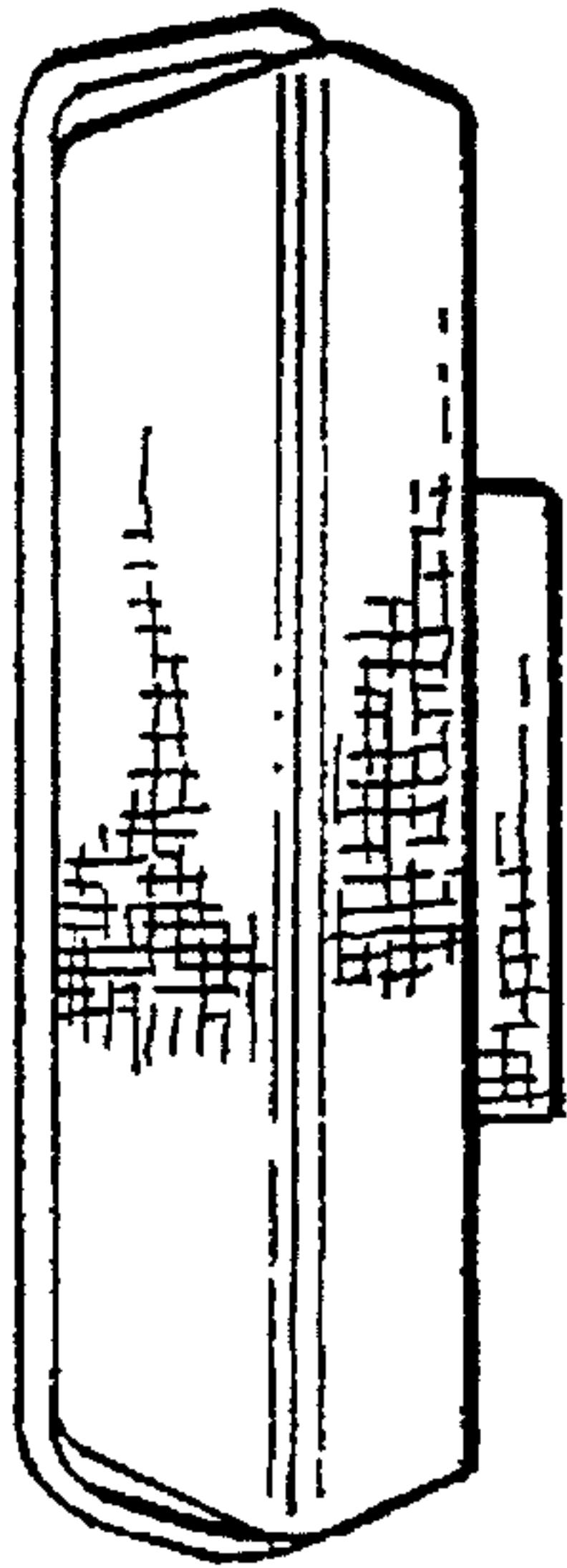


FIG. 4

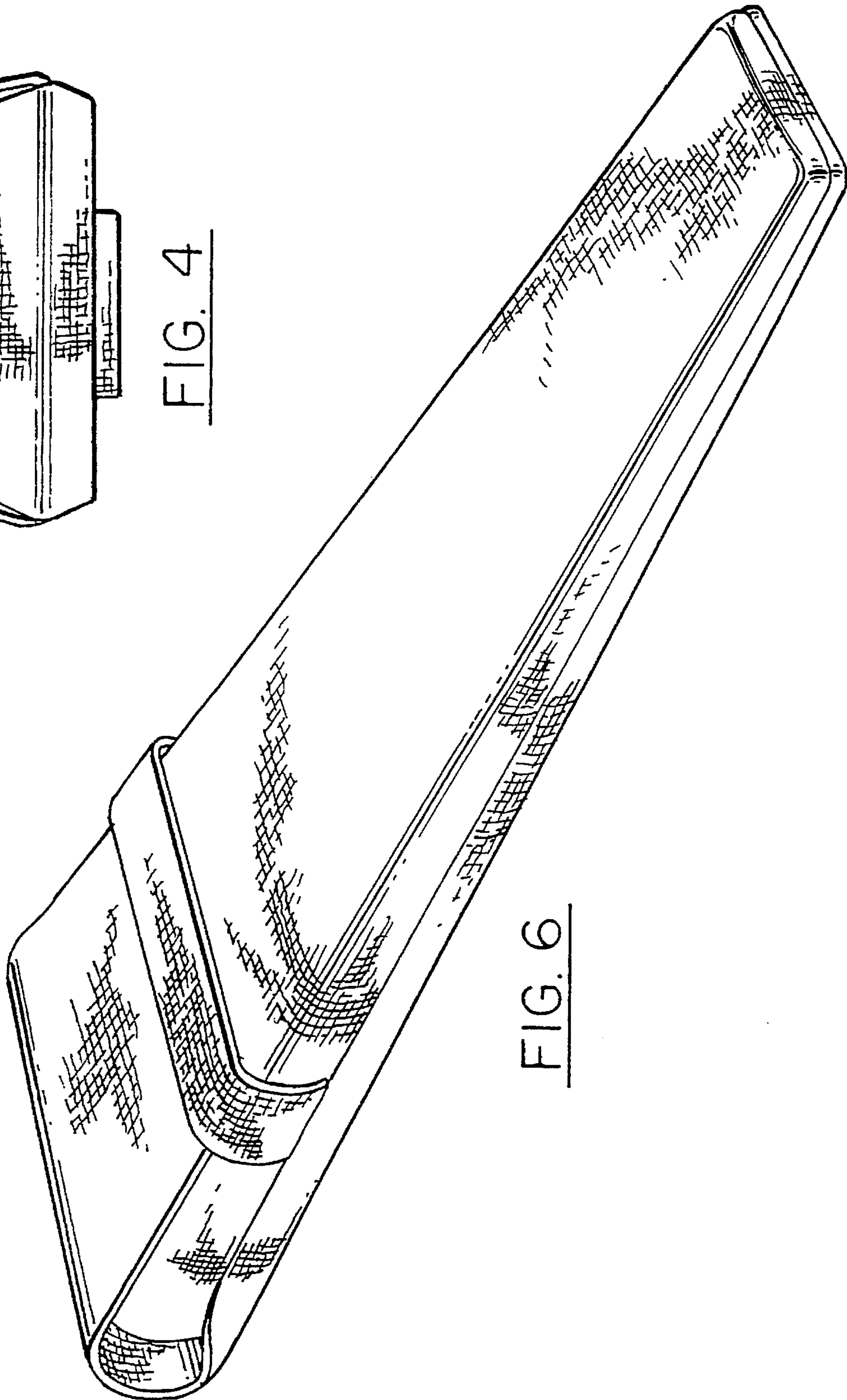


FIG. 6



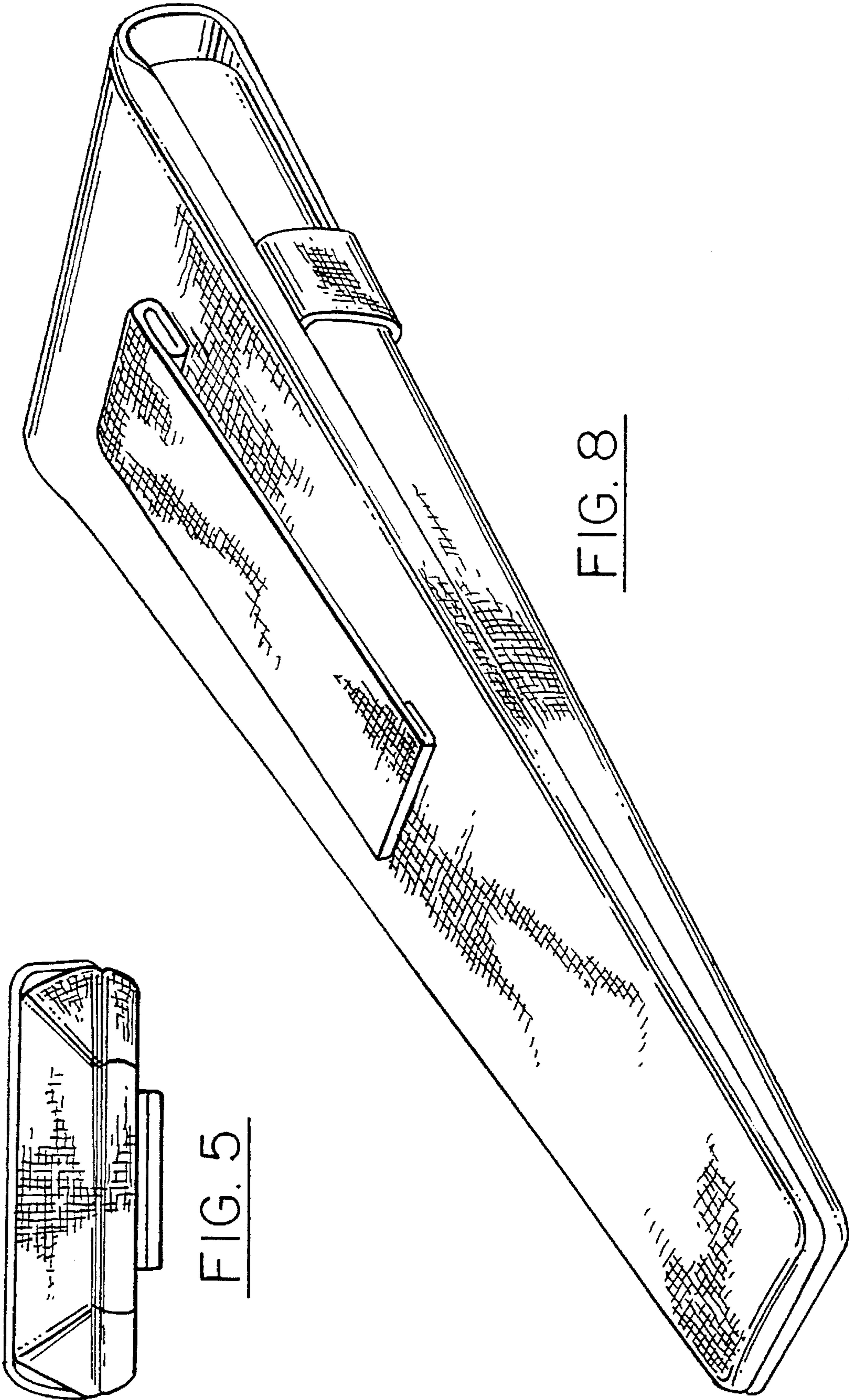


FIG. 5

FIG. 8

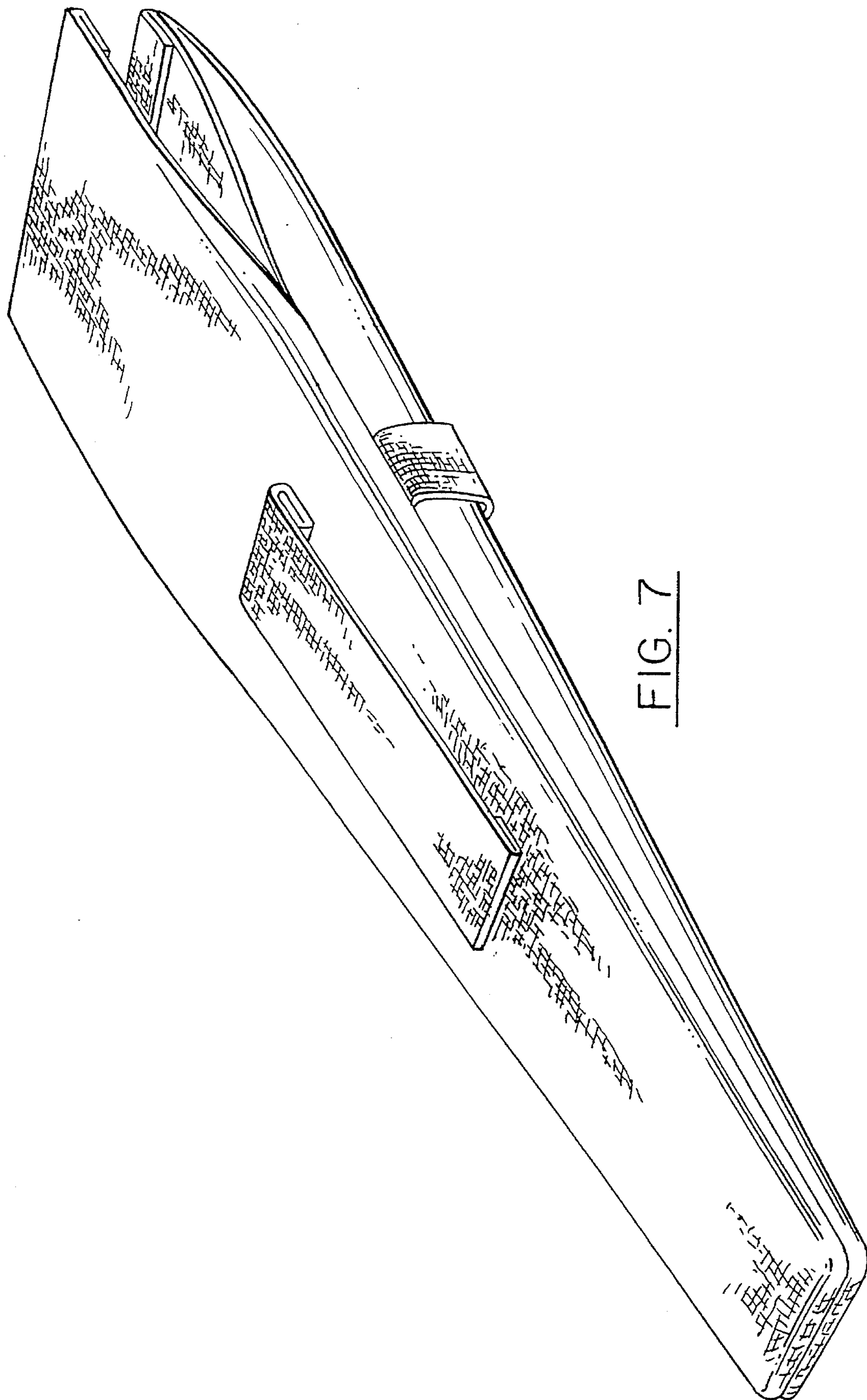


FIG. 7