



US00D376473S

# United States Patent [19]

[11] Patent Number: **Des. 376,473**

**Franks**

[45] Date of Patent: **\*\*Dec. 17, 1996**

[54] **ONE HAND GUN CARRIER**

[76] Inventor: **Virgil P. Franks**, 214 Lamborn Ave.,  
Paonia, Colo. 81428

[\*\*] Term: **14 Years**

[21] Appl. No.: **45,439**

[22] Filed: **Oct. 19, 1995**

[52] U.S. Cl. .... **D3/262**

[58] Field of Search ..... D3/262, 259, 254,  
D3/315; 224/149, 150; 294/137, 144, 152,  
172; 211/60.1, 64; 42/85, 90

[56] **References Cited**

**U.S. PATENT DOCUMENTS**

D. 320,696	10/1991	Butler	.....	D3/259
3,592,502	7/1971	Bolliger	.....	294/152 X
3,752,525	8/1973	Hanna	.....	294/137 X
4,691,852	9/1987	Phelps	.....	224/150
4,982,522	1/1991	Norton	.....	224/250 X

*Primary Examiner*—Doris V. Coles  
*Assistant Examiner*—Catherine R. Oliver  
*Attorney, Agent, or Firm*—Donald W. Erickson

[57] **CLAIM**

The ornamental design for a one hand gun carrier, as shown and described.

**DESCRIPTION**

FIG. 1 is a perspective view of my one hand gun carrier showing my new design;

FIG. 2 is a top plan view thereof;

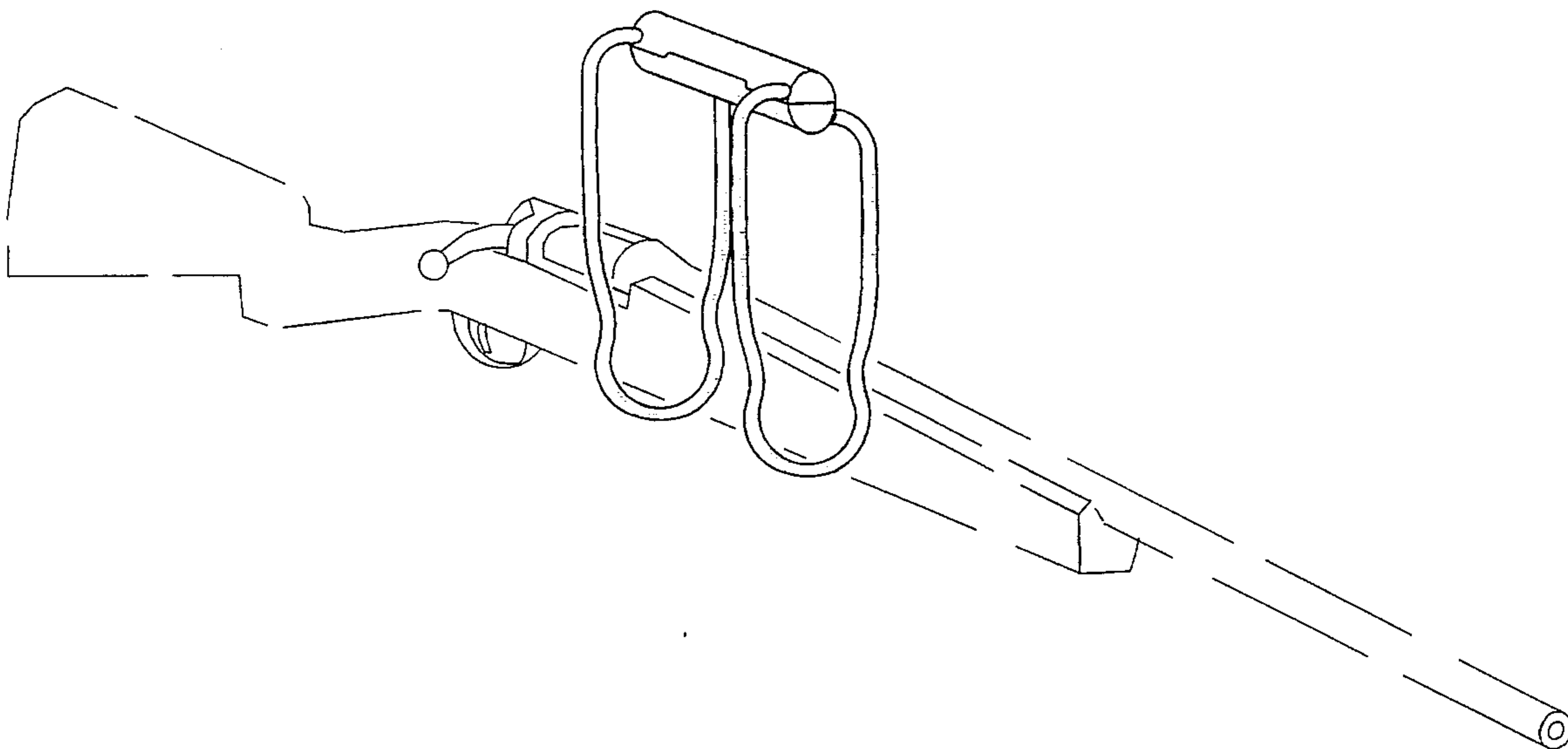
FIG. 3 is an end elevational view thereof, the other end being the same;

FIG. 4 is a bottom plan view thereof; and,

FIG. 5 is a side elevational view thereof, the other side being the same.

The broken line showing of a rifle in FIG. 1 is for illustrative purposes only and forms no part of the claimed design.

**1 Claim, 3 Drawing Sheets**



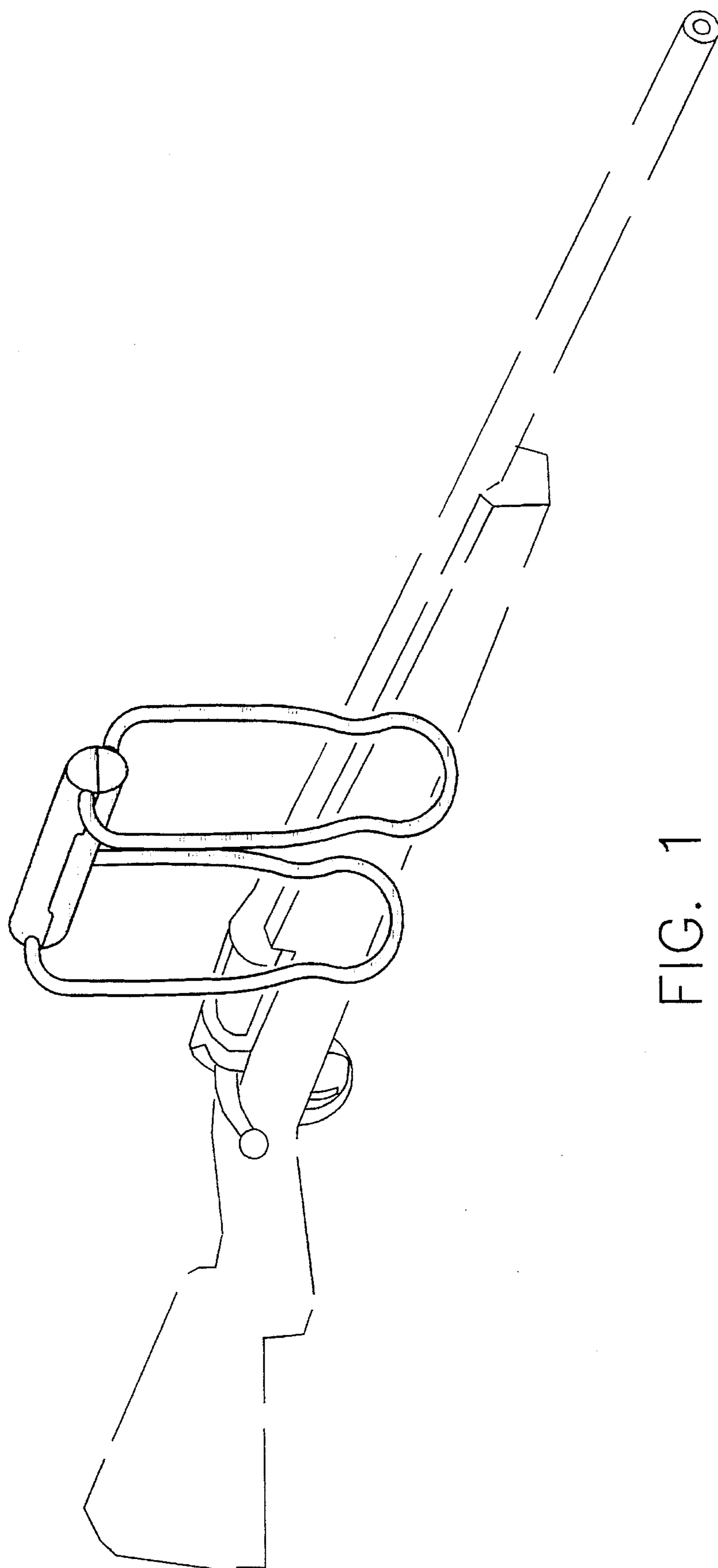


FIG. 1

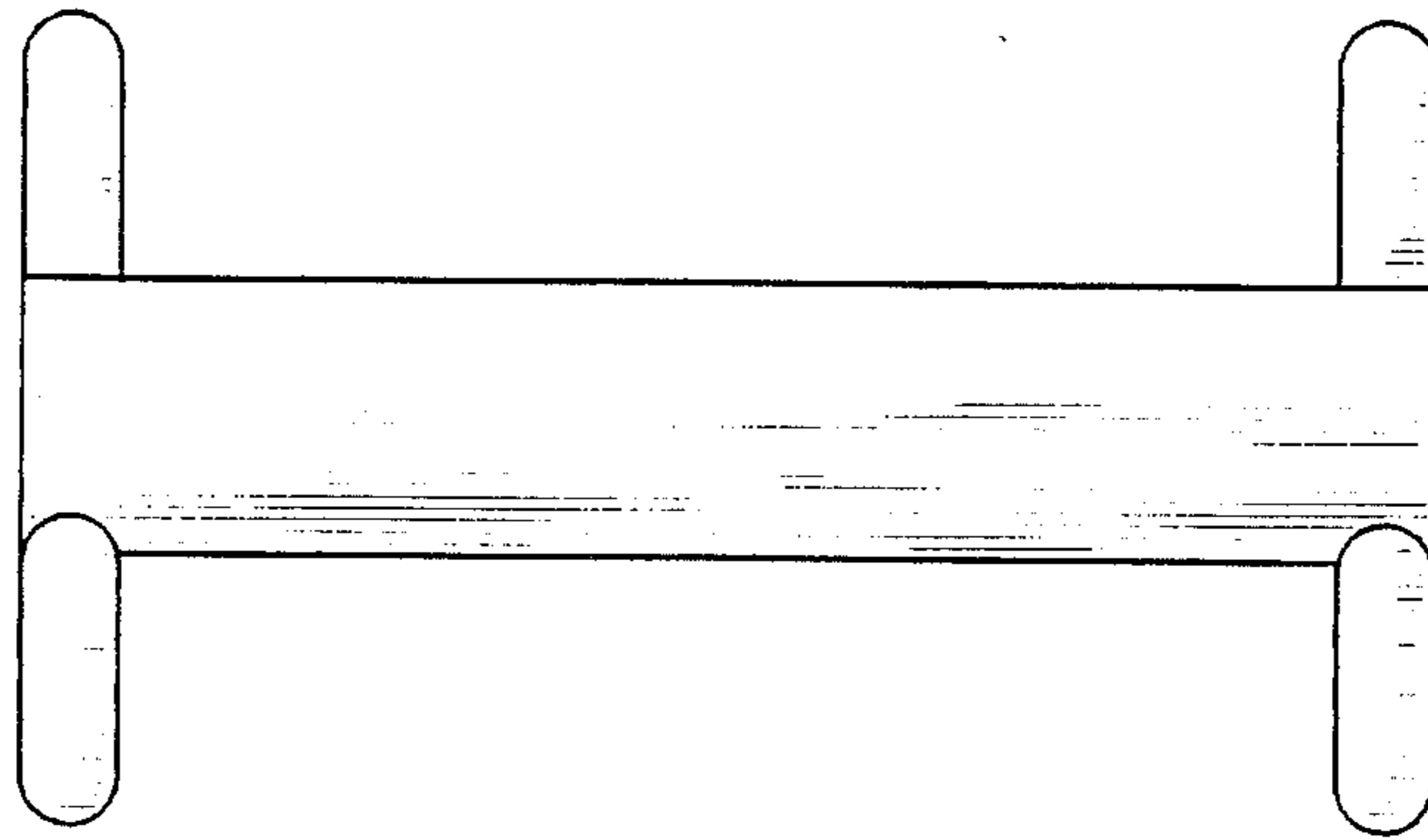


FIG. 2

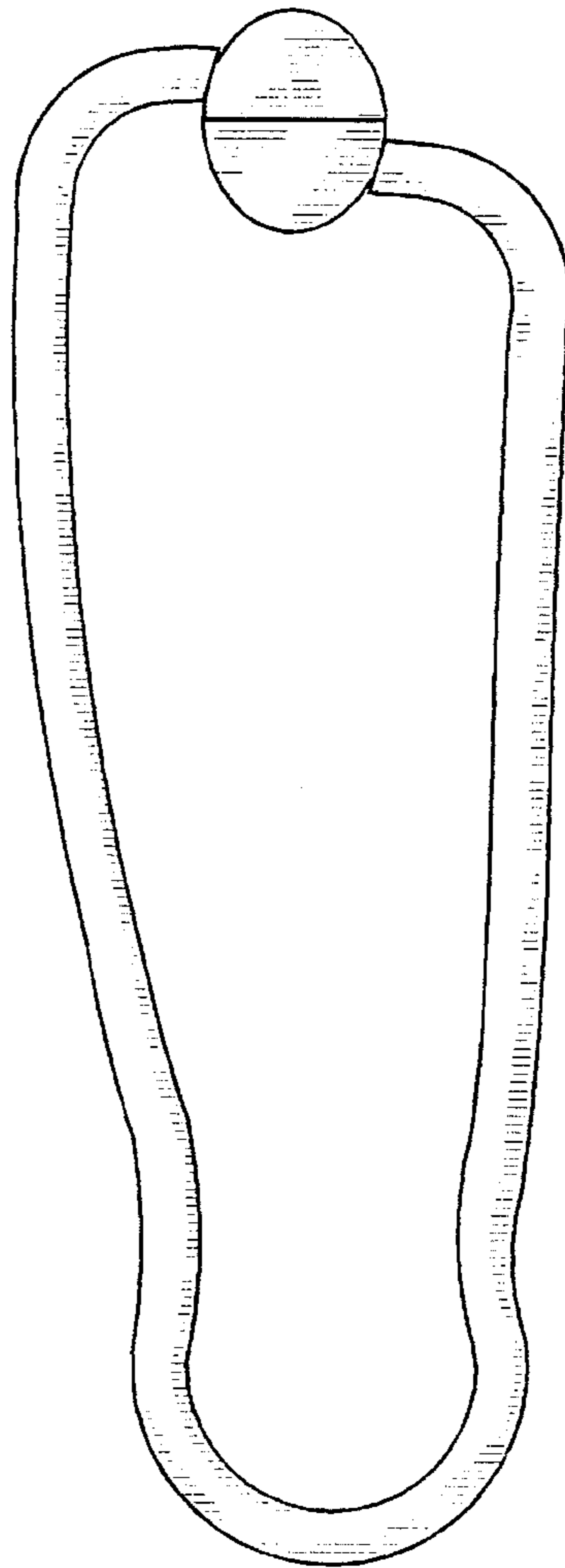


FIG. 3

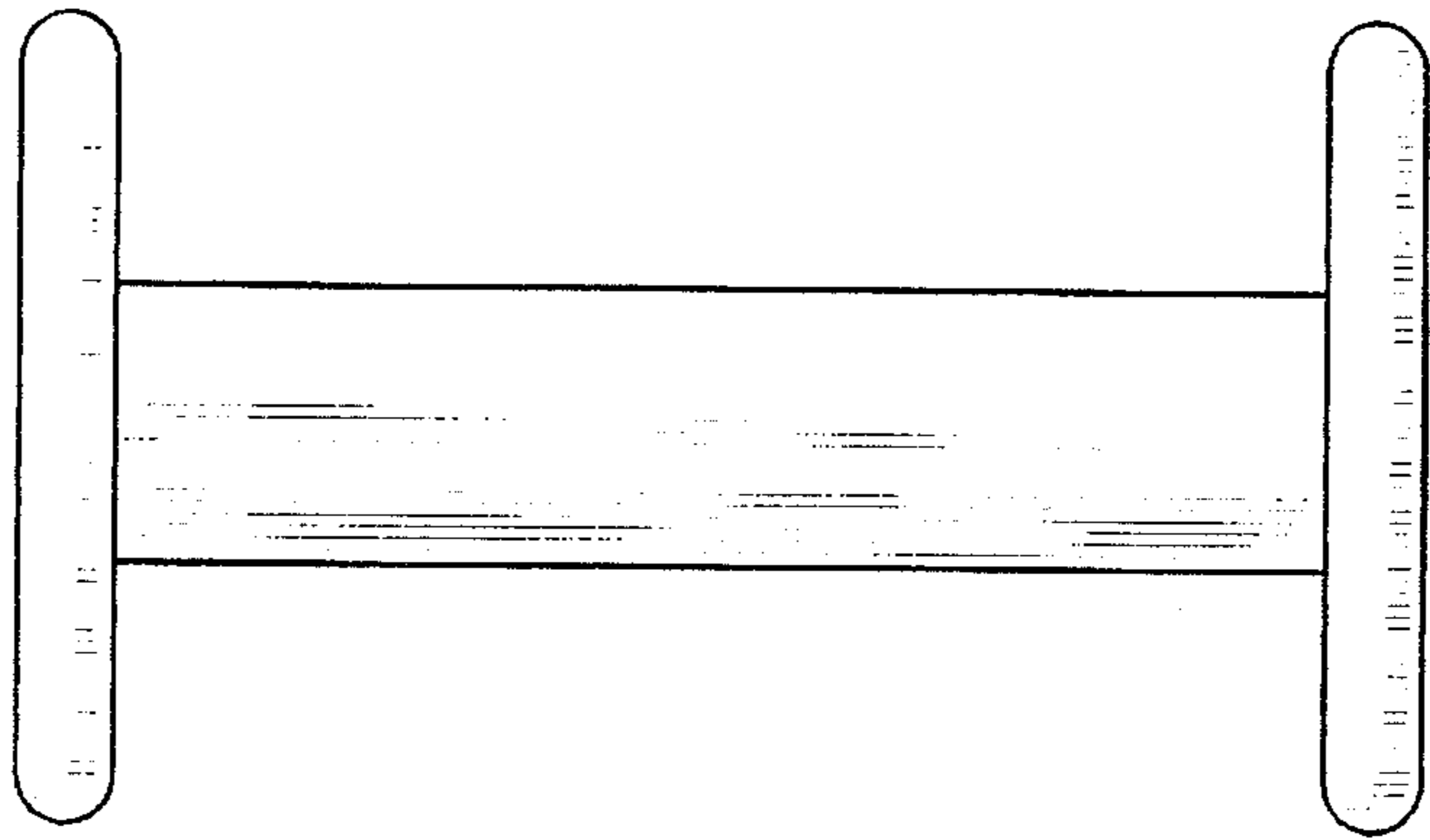


FIG. 4

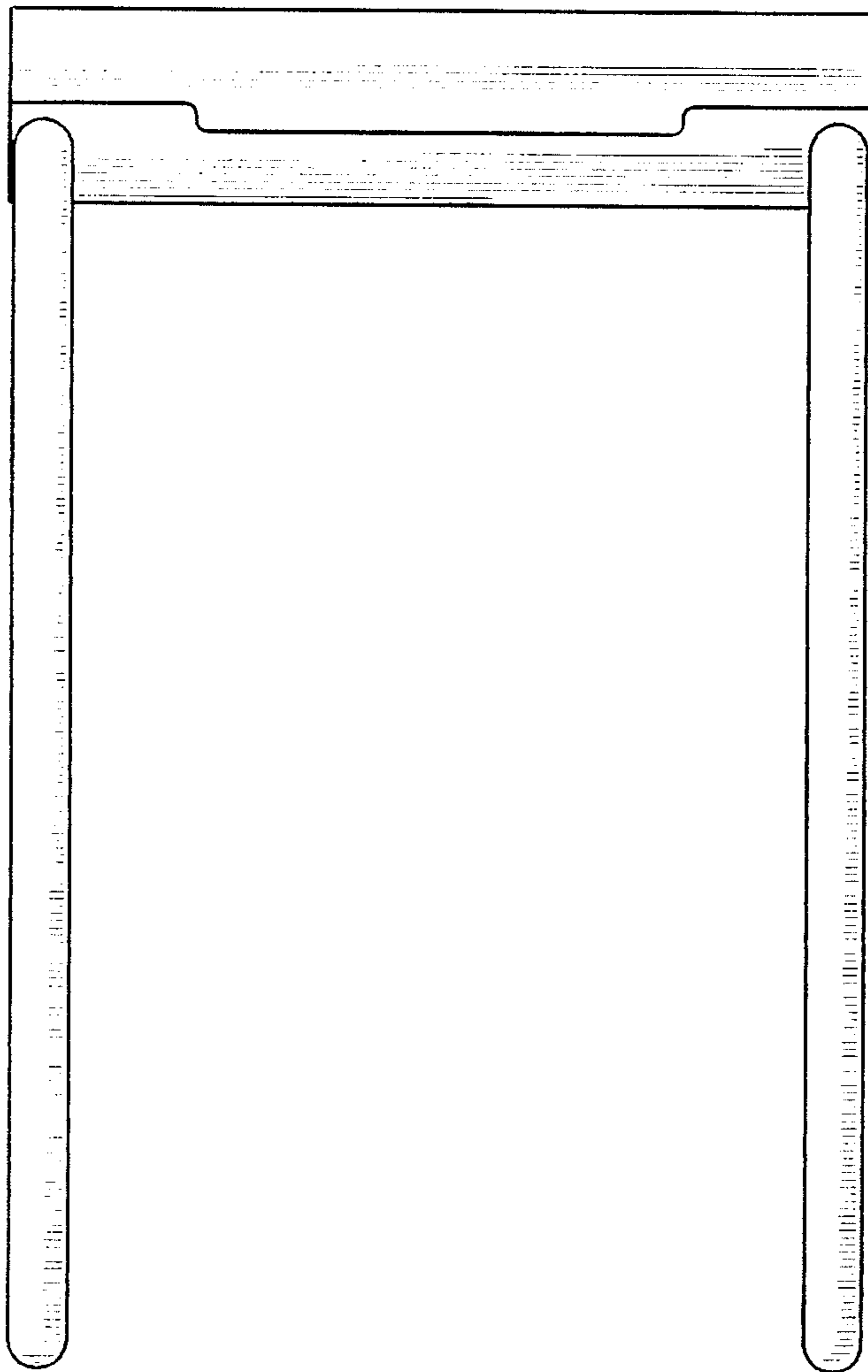


FIG. 5