



US00D376471S

# United States Patent [19]

[11] Patent Number: **Des. 376,471**

**Kalin et al.**

[45] Date of Patent: **\*\*Dec. 17, 1996**

## [54] FOOTWEAR MIDSOLE

[75] Inventors: **Xavier Kalin**, Lake Oswego, Oreg.;  
**Wolfgang Scholz**, Lonnerstadt,  
Germany; **Simon Luthi**, Lake Oswego,  
Oreg.; **Neal E. Wydra**, Glen Ellyn, Ill.

[73] Assignee: **Adidas AG**, Portland, Oreg.

[\*\*] Term: **14 Years**

[21] Appl. No.: **26,309**

[22] Filed: **Jul. 25, 1994**

[52] U.S. Cl. .... **D2/960; D2/947; D2/959**

[58] Field of Search ..... **D2/902, 907, 908,  
D2/945, 946, 947, 948-962; 36/83, 84,  
89, 102-107, 112-115, 126-130, 3 B, 22 R,  
24.5, 25 R, 27, 28, 30 R, 32 R, 38, 59 R**

## [56] References Cited

### U.S. PATENT DOCUMENTS

D. 326,557	6/1992	Gardner	.....	D2/947
1,202,732	10/1916	Keogh	.....	36/38
4,535,553	8/1985	Derderian et al.	.....	36/28
4,566,206	1/1986	Weber	.....	36/27
4,593,482	6/1986	Mayer	.....	36/32 R
4,753,021	6/1988	Cohen	.....	36/25 R
4,754,559	7/1988	Cohen	.....	36/25 R
4,774,774	10/1988	Allen, Jr.	.....	36/28
4,864,738	9/1989	Horovitz	.....	36/28
5,337,492	8/1994	Anderie et al.	.....	13/18
5,461,800	10/1995	Luthi et al.	.....	36/28

### FOREIGN PATENT DOCUMENTS

7014152	12/1971	France .
92101135	7/1992	Germany .

## OTHER PUBLICATIONS

adidas America, advertising brochure, Recoil-X Series Released in Confidence to Third Parties on Jul. 24, 1994.

*Primary Examiner*—Celia Murphy  
*Attorney, Agent, or Firm*—Klarquist Sparkman Campbell Leigh & Whinston, LLP

## [57] CLAIM

The ornamental design for a footwear midsole, as shown.

## DESCRIPTION

FIG. 1 is a left side elevational view of a footwear midsole showing our new design;  
 FIG. 2 is a top plan view thereof;  
 FIG. 3 is a front elevational view thereof;  
 FIG. 4 is a right side elevational view thereof;  
 FIG. 5 is a bottom plan view thereof;  
 FIG. 6 is a rear elevational view thereof;  
 FIG. 7 is a left side elevational view of an alternate embodiment of the design shown in FIG. 1;  
 FIG. 8 is a top plan view of FIG. 7;  
 FIG. 9 is a front elevational view of FIG. 7, the toe flap shown unsecured;  
 FIG. 10 is a right side elevational view of FIG. 7;  
 FIG. 11 is a bottom plan view of FIG. 7;  
 FIG. 12 is a rear elevational view of FIG. 7; and,  
 FIG. 13 is a bottom plan view of a second embodiment of the design shown in FIG. 1; the side elevational views shown in FIGS. 7 and 10, the front elevational view shown in FIG. 9, and the rear elevational view being substantially similar to FIG. 12 except for the aperture.  
 The broken line showing of a shoe upper in FIGS. 1 and 4 is for illustrative purposes only and forms no part of the claimed design.

**1 Claim, 4 Drawing Sheets**

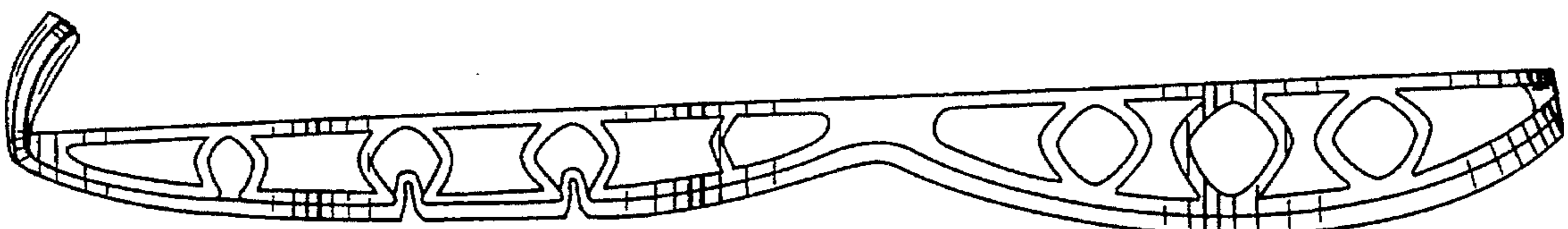
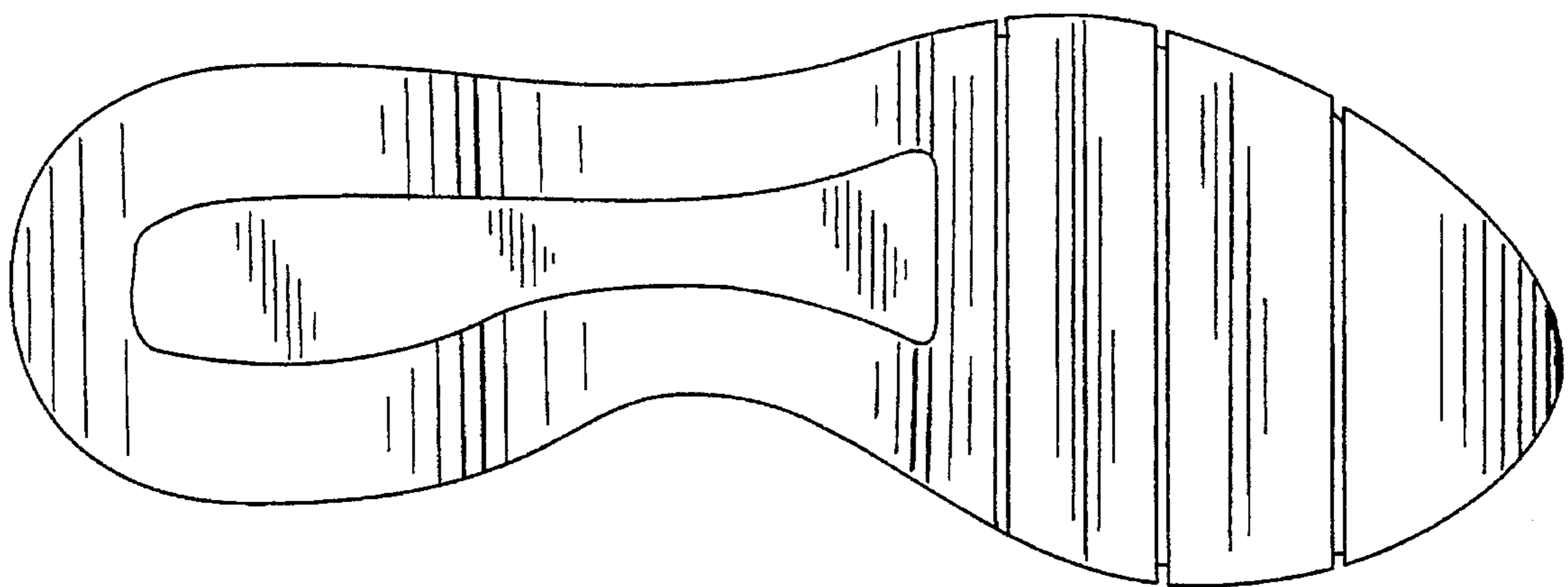


FIG. 2

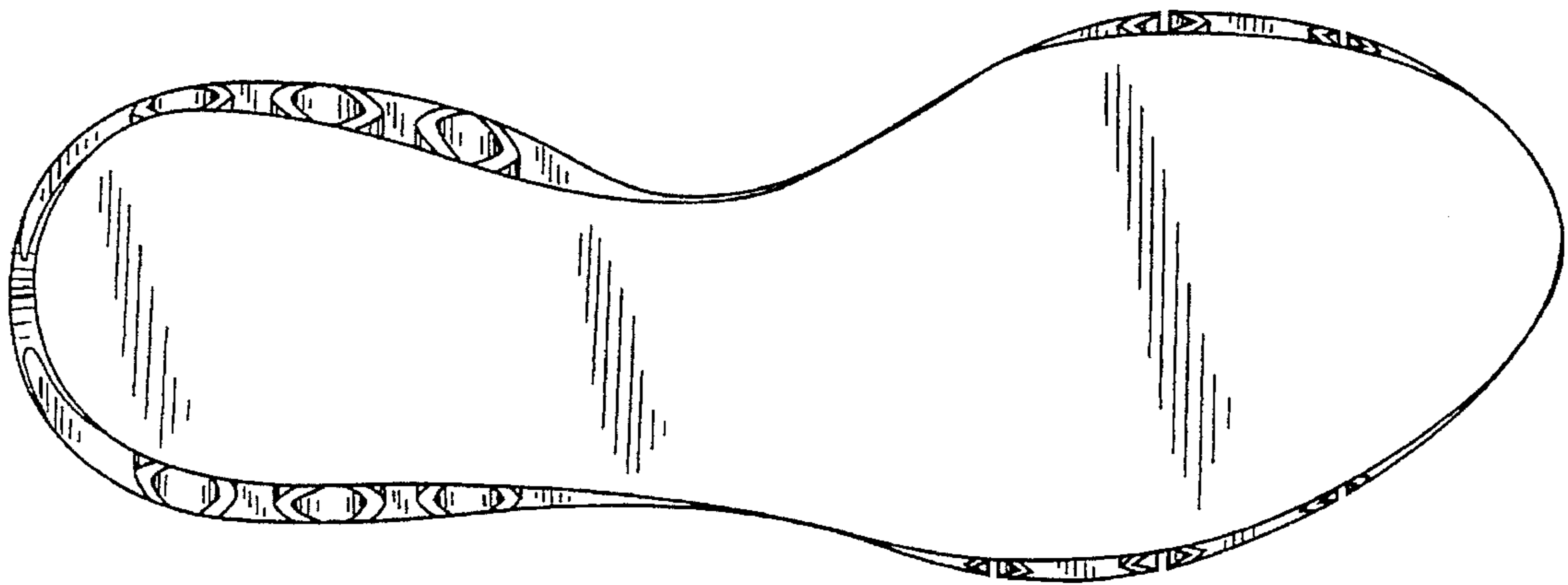


FIG. 1

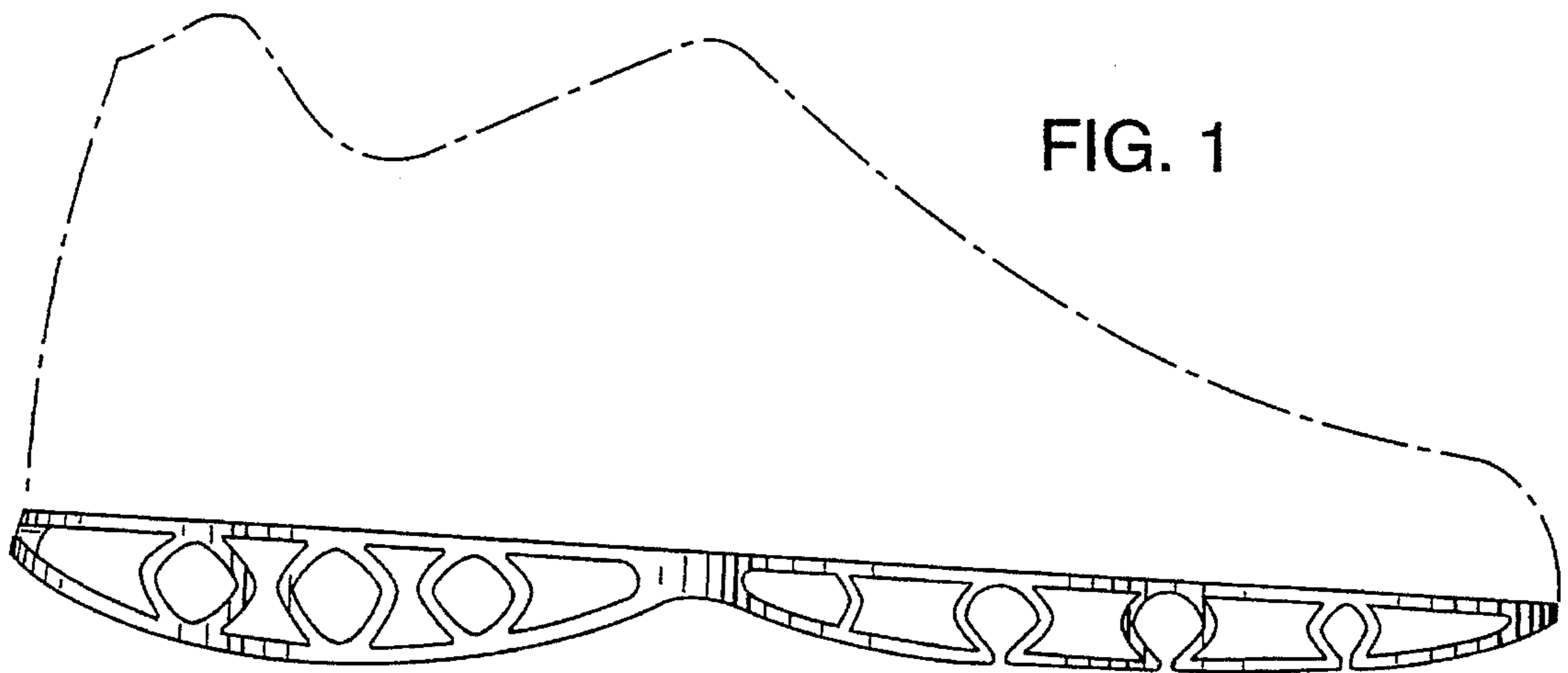


FIG. 3

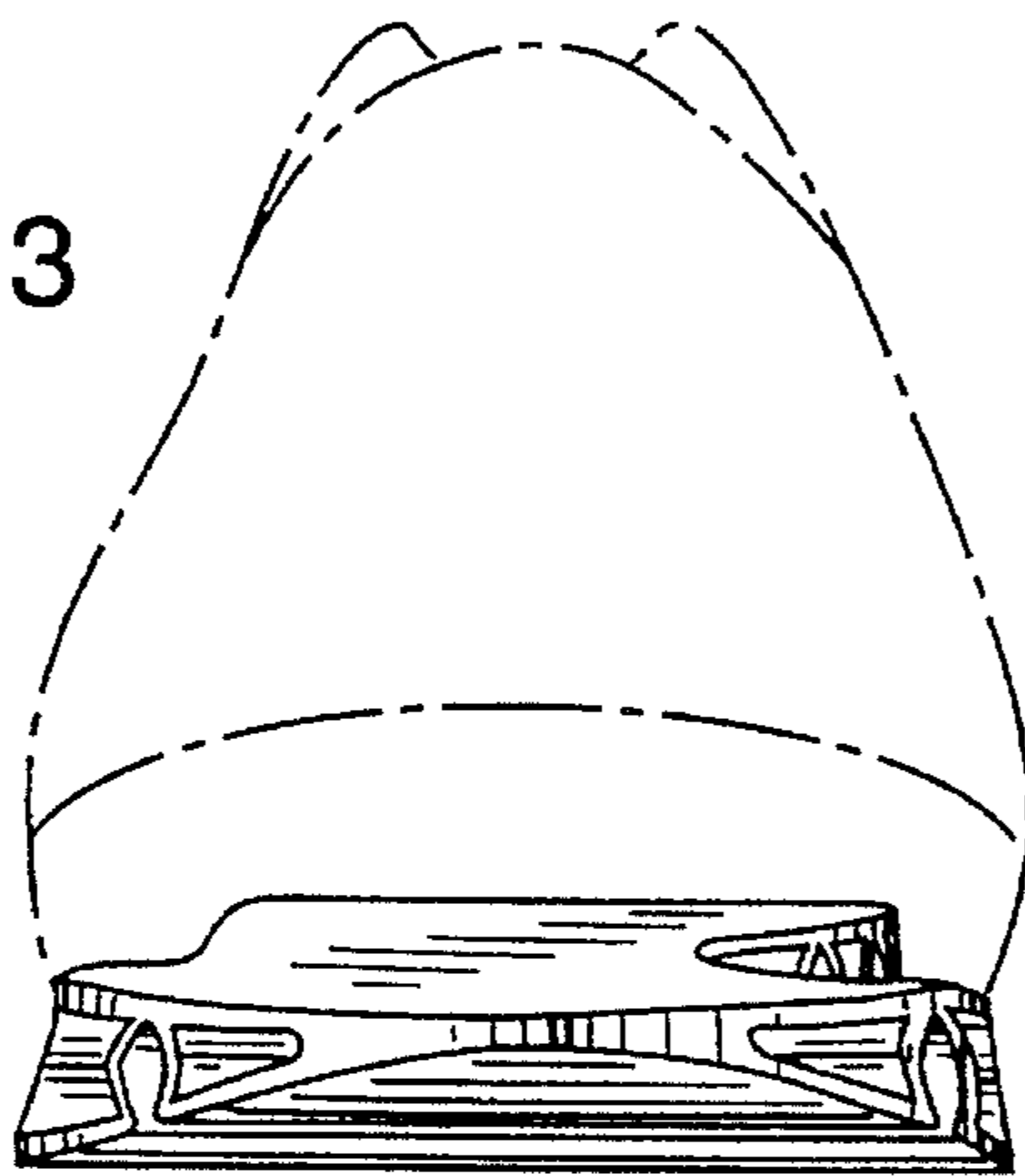


FIG. 4

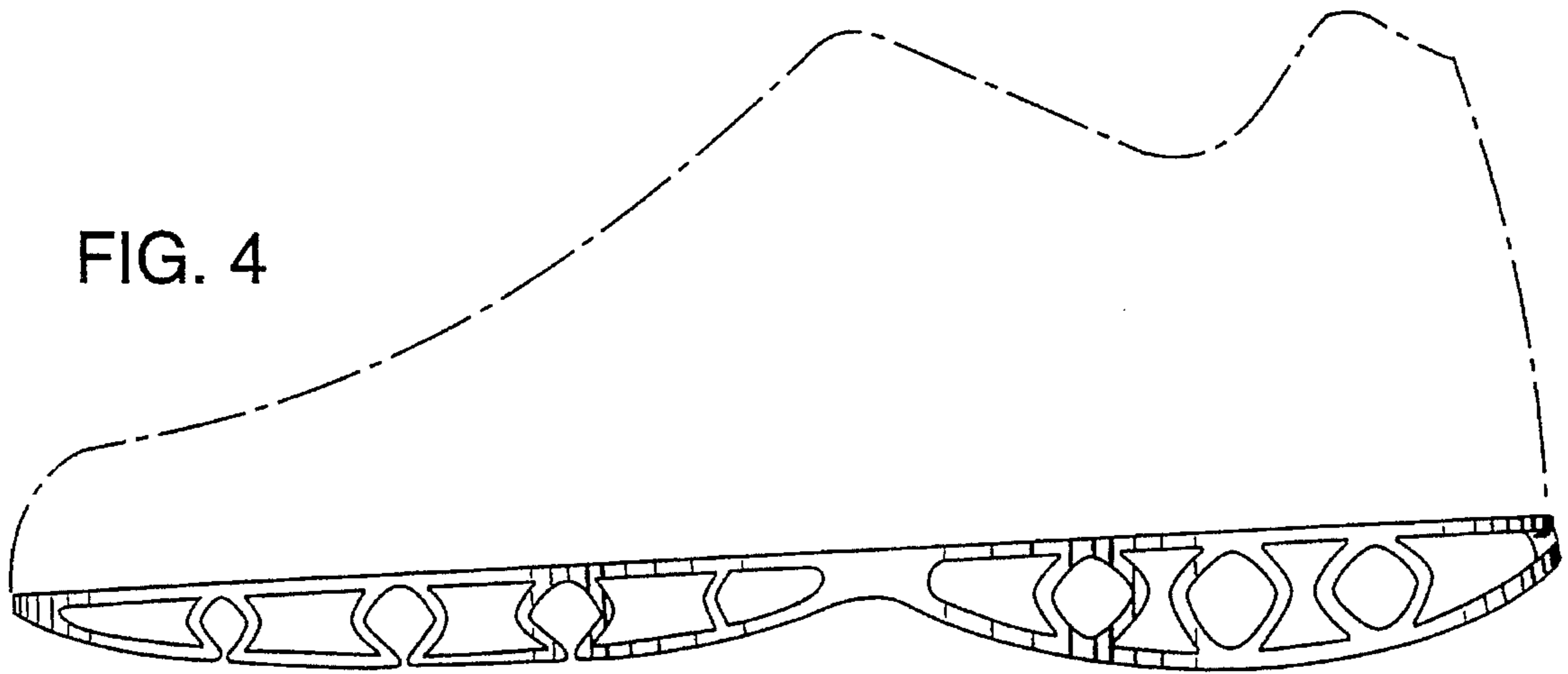


FIG. 5

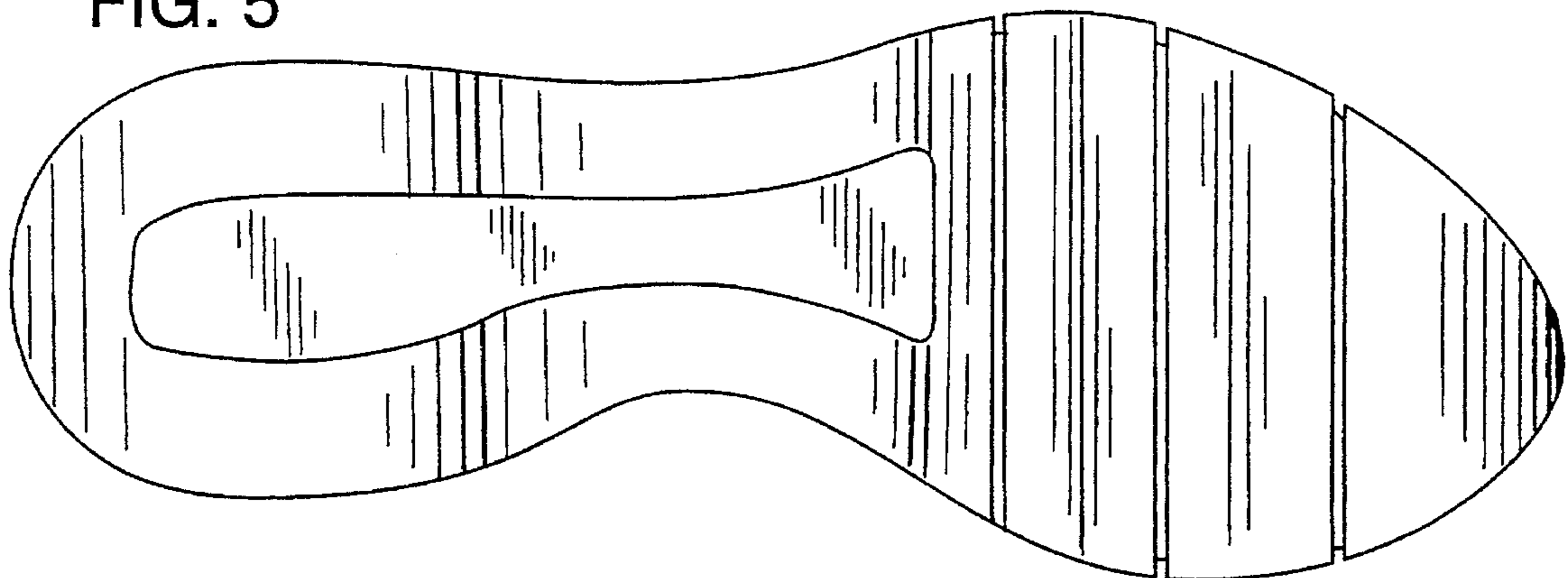


FIG. 6

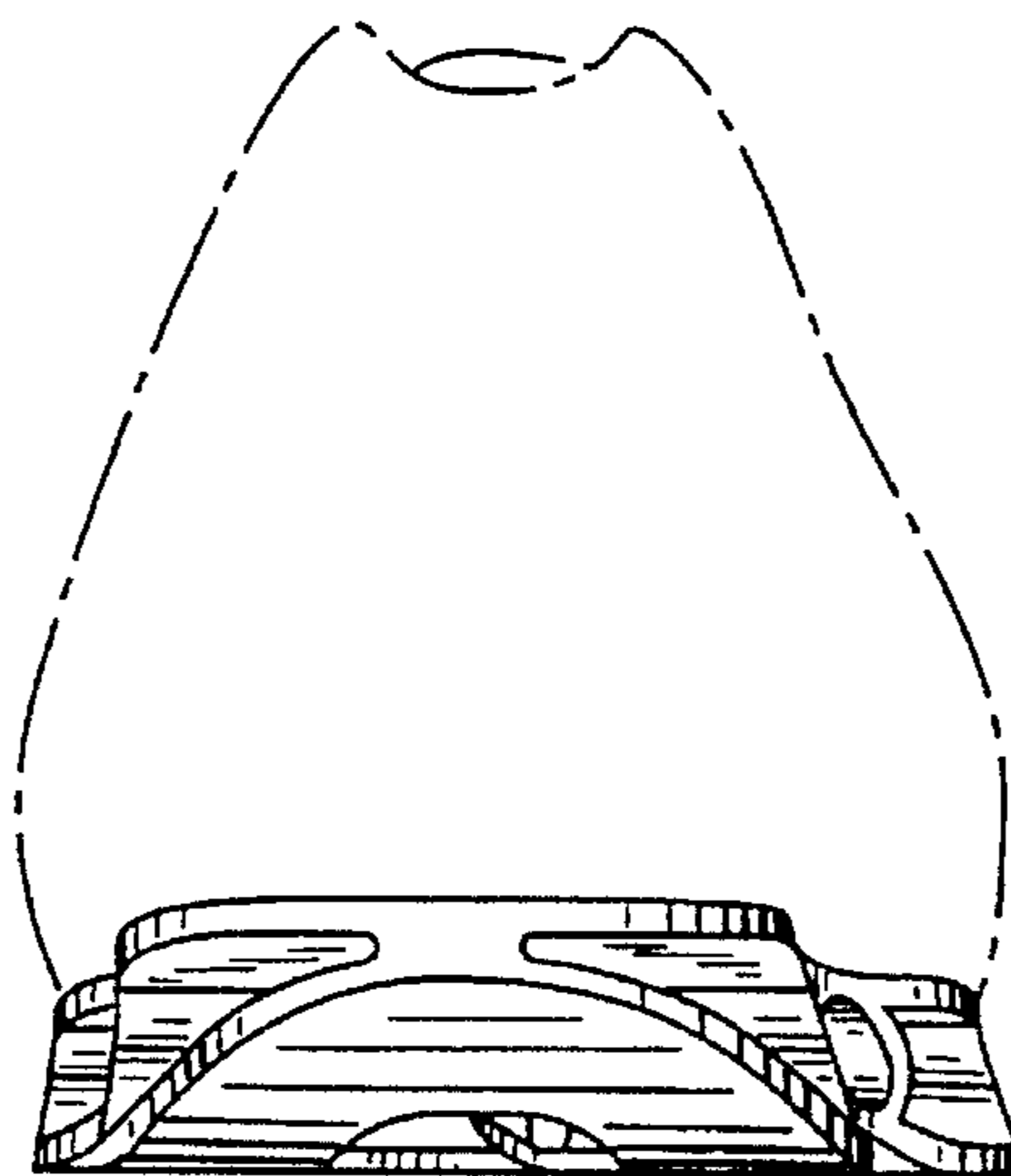


FIG. 8

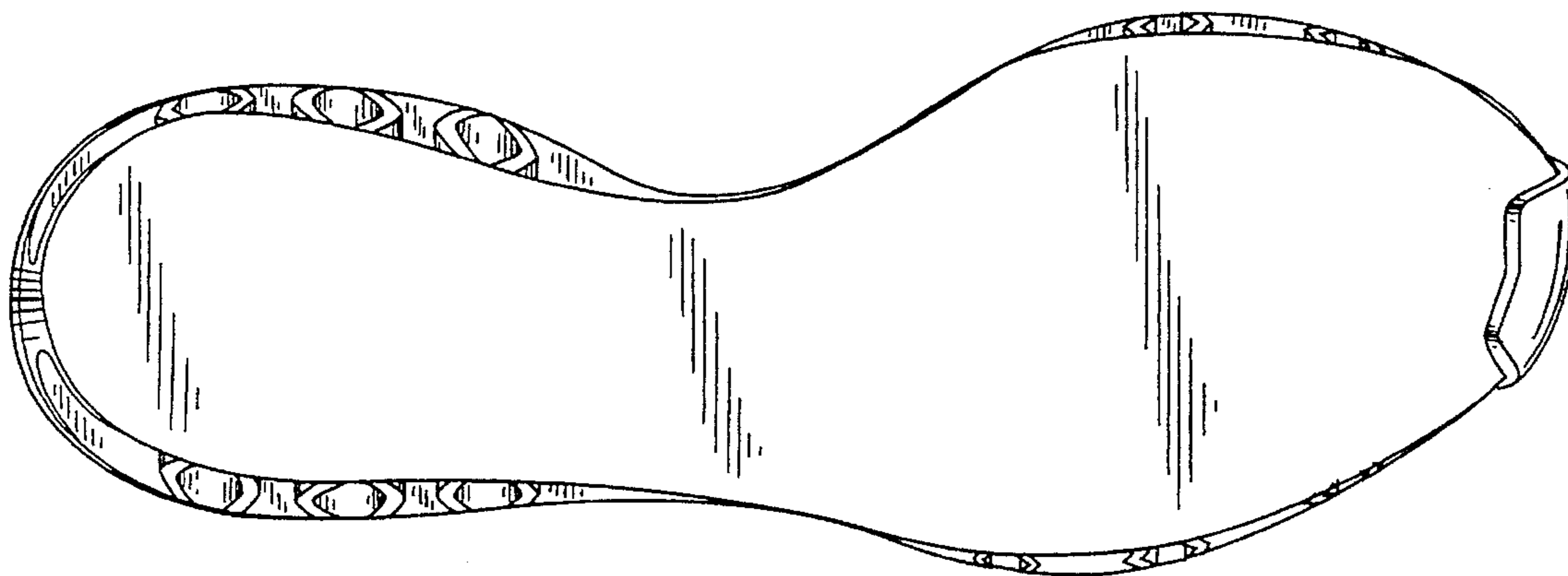


FIG. 7

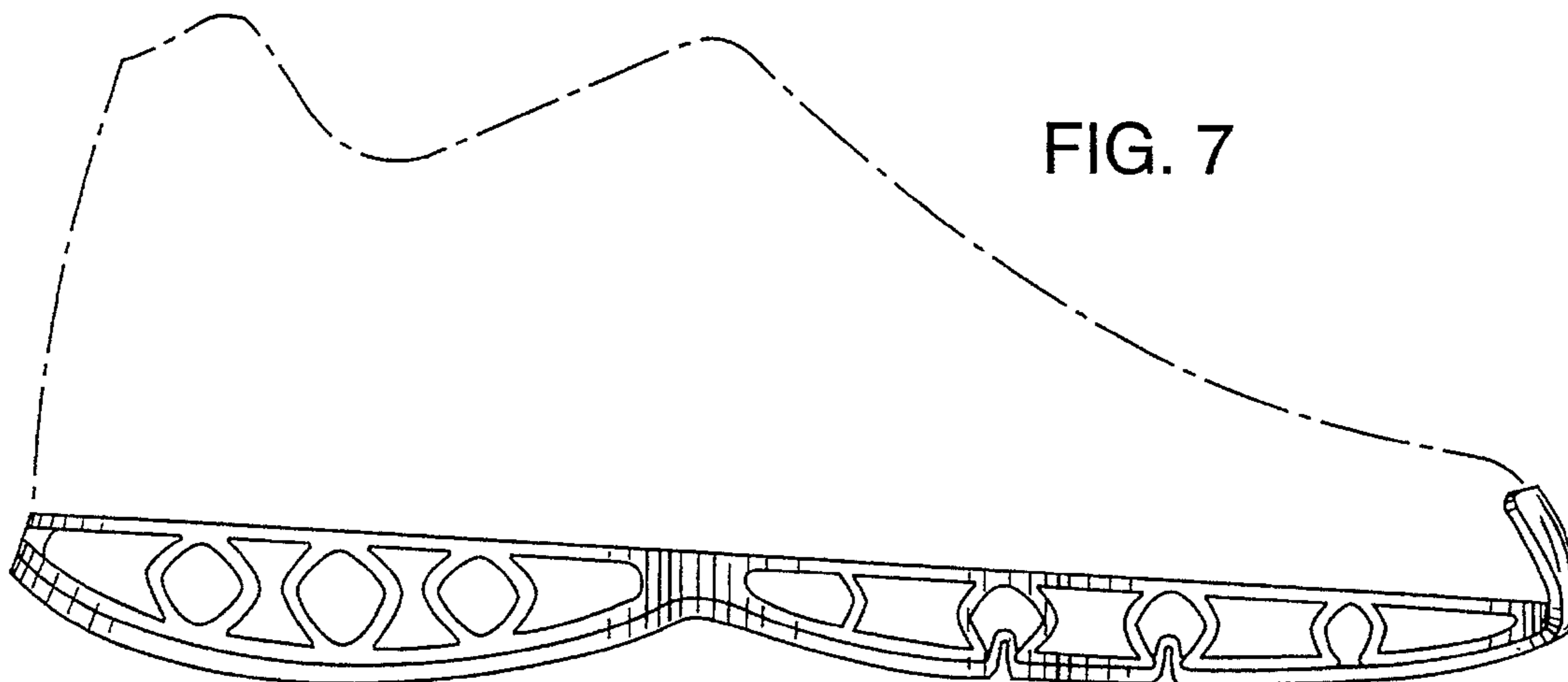


FIG. 9

