



US00D376469S

**United States Patent** [19]  
**Harkness**

[11] **Patent Number: Des. 376,469**

[45] **Date of Patent: \*\*Dec. 17, 1996**

[54] **VISOR ACCESSORY**

[75] Inventor: **Scott Harkness**, Bracebridge, Canada

[73] Assignee: **Dynalaser Technology Inc.**, Canada

[\*\*] Term: **14 Years**

[21] Appl. No.: **26,188**

[22] Filed: **Jun. 27, 1994**

[52] U.S. Cl. .... **D2/891; D26/39**

[58] Field of Search ..... D29/100, 103,  
D29/122; D2/865, 866, 891; 273/187.2,  
187.6, DIG. 17, 190 A; 2/195.1, 209.13;  
362/106; 434/252; D26/24, 37, 39

[56] **References Cited**

**U.S. PATENT DOCUMENTS**

3,025,064	3/1962	Flood	273/187.2
3,032,647	5/1962	Wansky et al.	362/106 X
3,963,917	6/1976	Romano	362/106 X
4,079,940	3/1978	Arakaki	273/187.6 X
4,303,244	12/1981	Uppvall	.
4,406,040	9/1983	Cannone	.
4,739,991	4/1988	Flinn, Jr.	273/187.6 X
4,869,509	9/1989	Lee	273/187.2
5,199,712	4/1993	Hoyle, Jr. et al.	2/209.13 X
5,284,345	2/1994	Jehn	.

**FOREIGN PATENT DOCUMENTS**

202965 10/1991 Taiwan .

*Primary Examiner*—Paula A. Mortimer

[57] **CLAIM**

The ornamental design for a visor accessory, as shown and described.

**DESCRIPTION**

FIG. 1 is a bottom perspective view of a visor accessory showing my new design;

FIG. 2 is a bottom plan view thereof;

FIG. 3 is a top plan view thereof;

FIG. 4 is a front elevational view thereof;

FIG. 5 is a rear elevational view thereof;

FIG. 6 is a left side elevational view thereof;

FIG. 7 is a right side elevational view thereof;

FIG. 8 is a bottom perspective view, the broken lines showing of the hat with visor is for illustrative purposes and forms no part of the claimed design;

FIG. 9 is a right side elevational view thereof;

FIG. 10 is a front elevational view thereof;

FIG. 11 is a right side elevational view thereof in an alternate position;

FIG. 12 is a front elevational view thereof;

FIG. 13 is a top plan view of a second embodiment of a visor accessory showing my new design, the only difference being the top portion;

FIG. 14 is a top perspective view of a third embodiment of a visor accessory showing my new design, the only difference being the exclusion of the peripheral ring, the broken line showing of the peripheral ring is for illustrative purposes only and forms no part of the claimed design;

FIG. 15 is a bottom perspective view thereof;

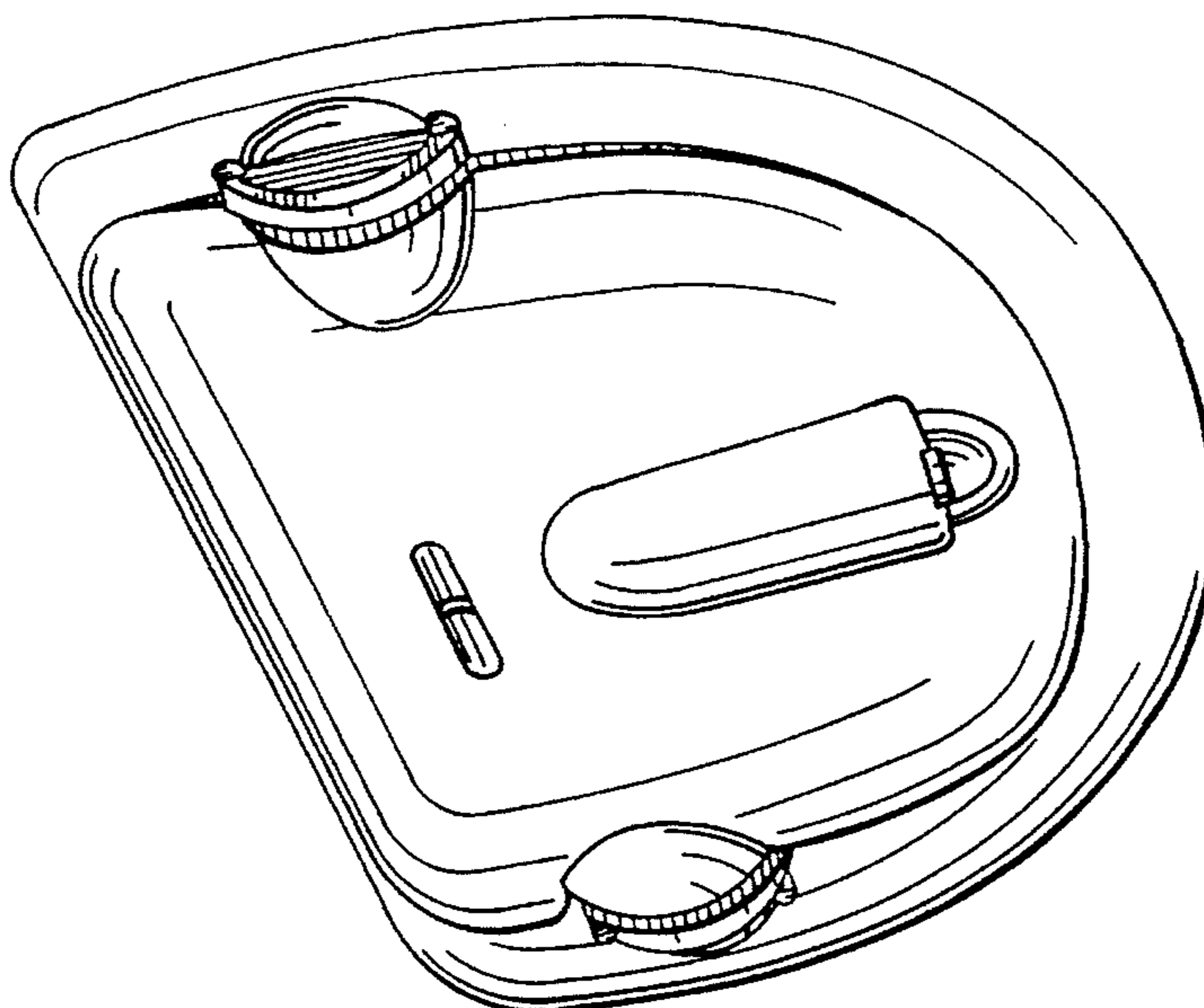
FIG. 16 is top plan view thereof;

FIG. 17 is a front elevational thereof;

FIG. 18 is a rear elevational view thereof; and,

FIG. 19 is a left side elevational view thereof, the right side is a mirror image.

**1 Claim, 6 Drawing Sheets**



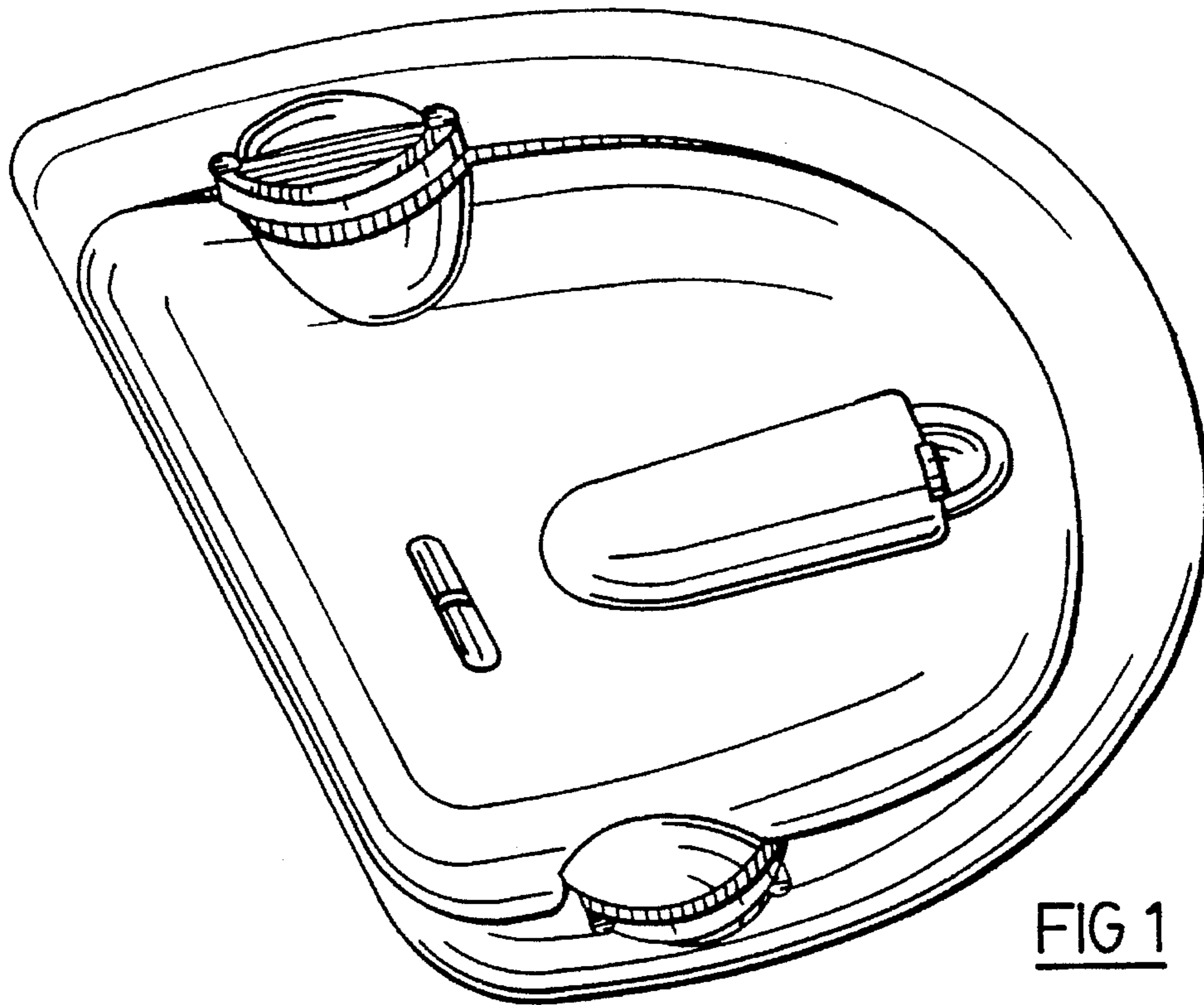


FIG 1

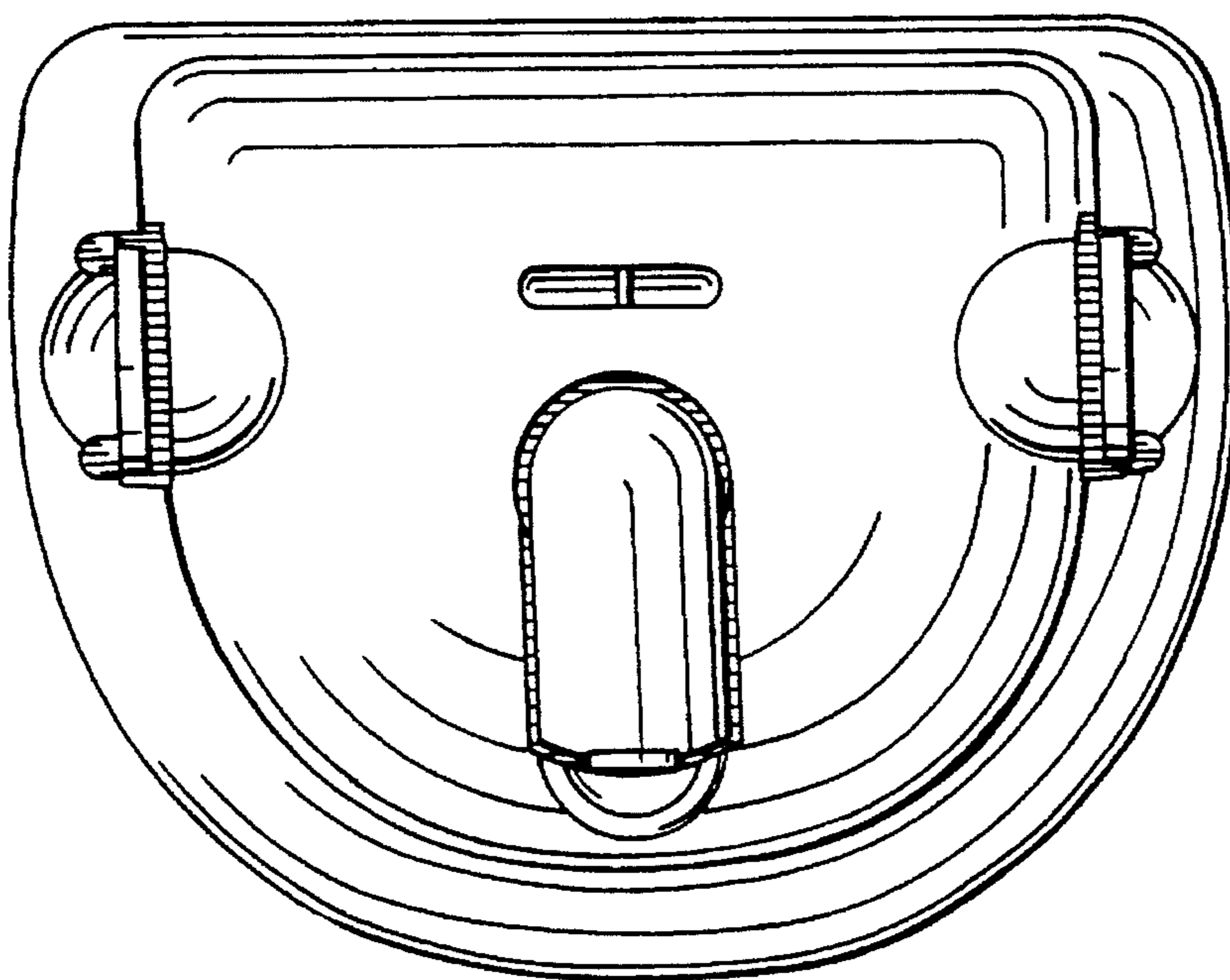


FIG. 2

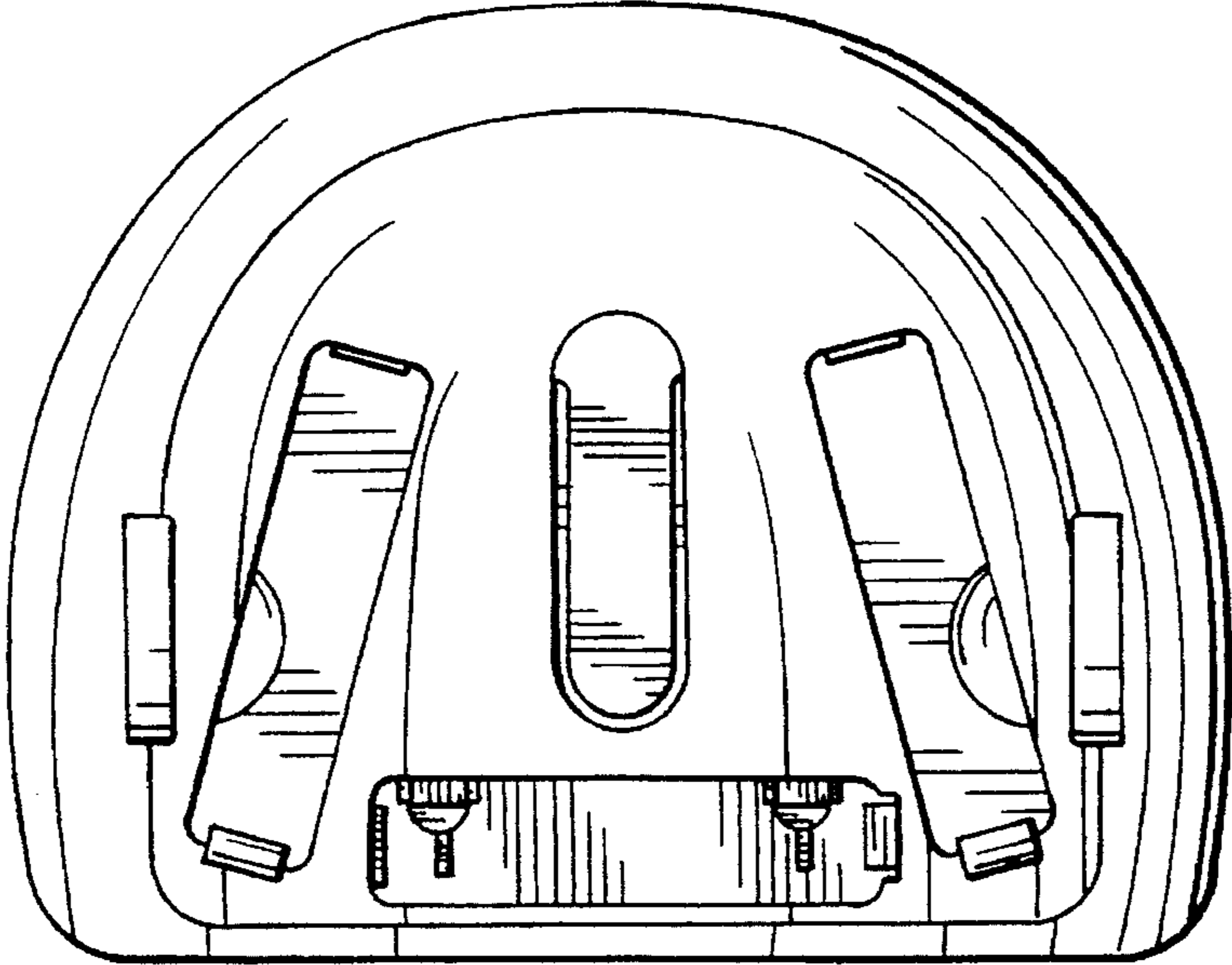


FIG. 3

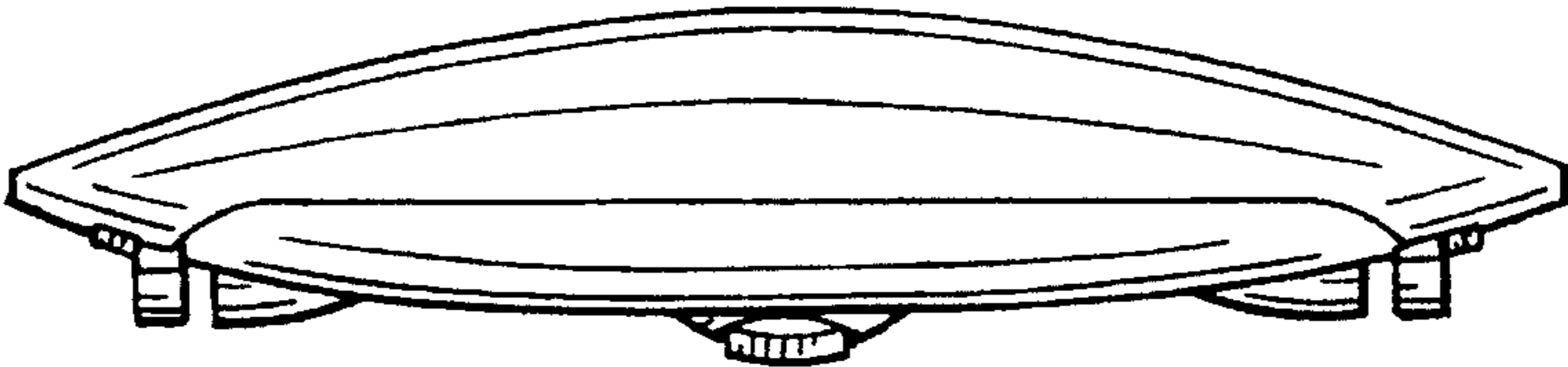


FIG. 4

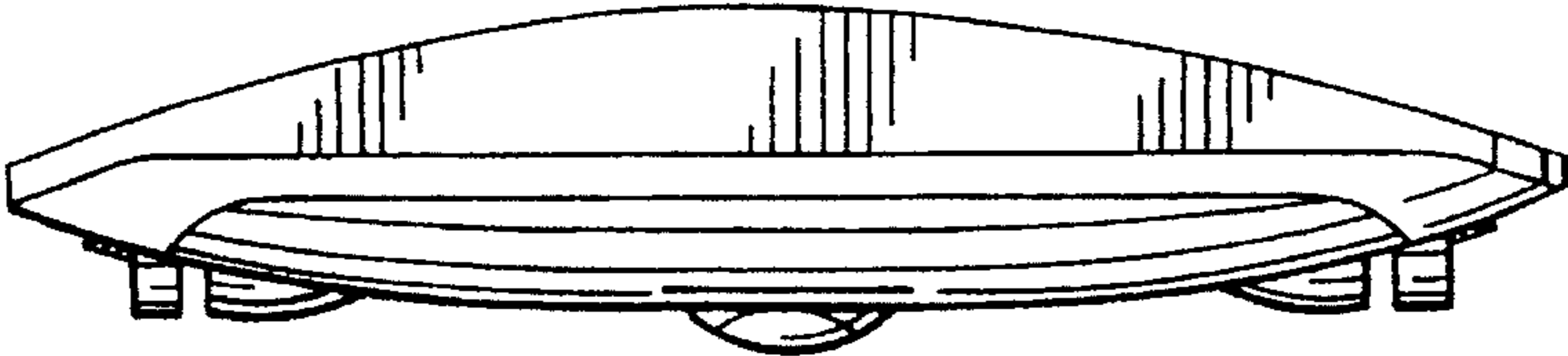


FIG. 5

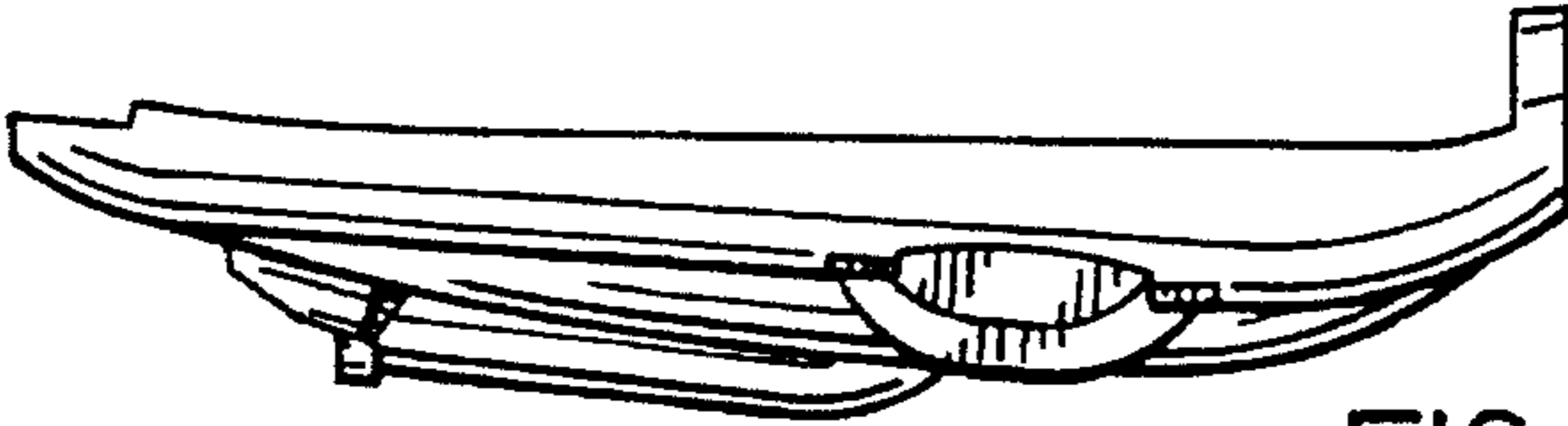


FIG. 6



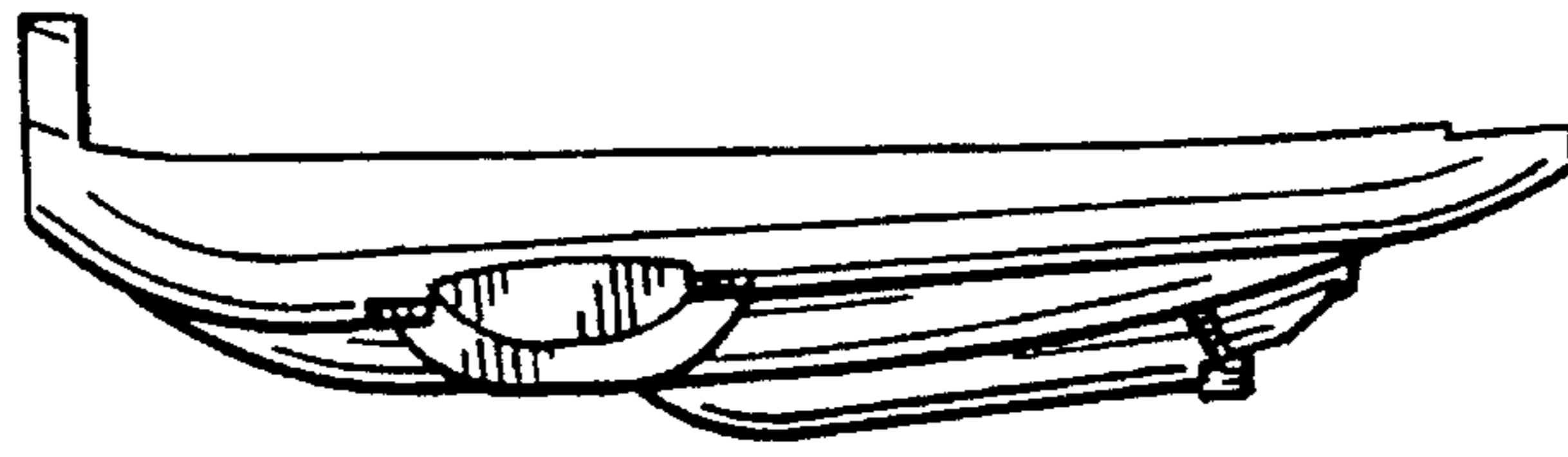


FIG. 7

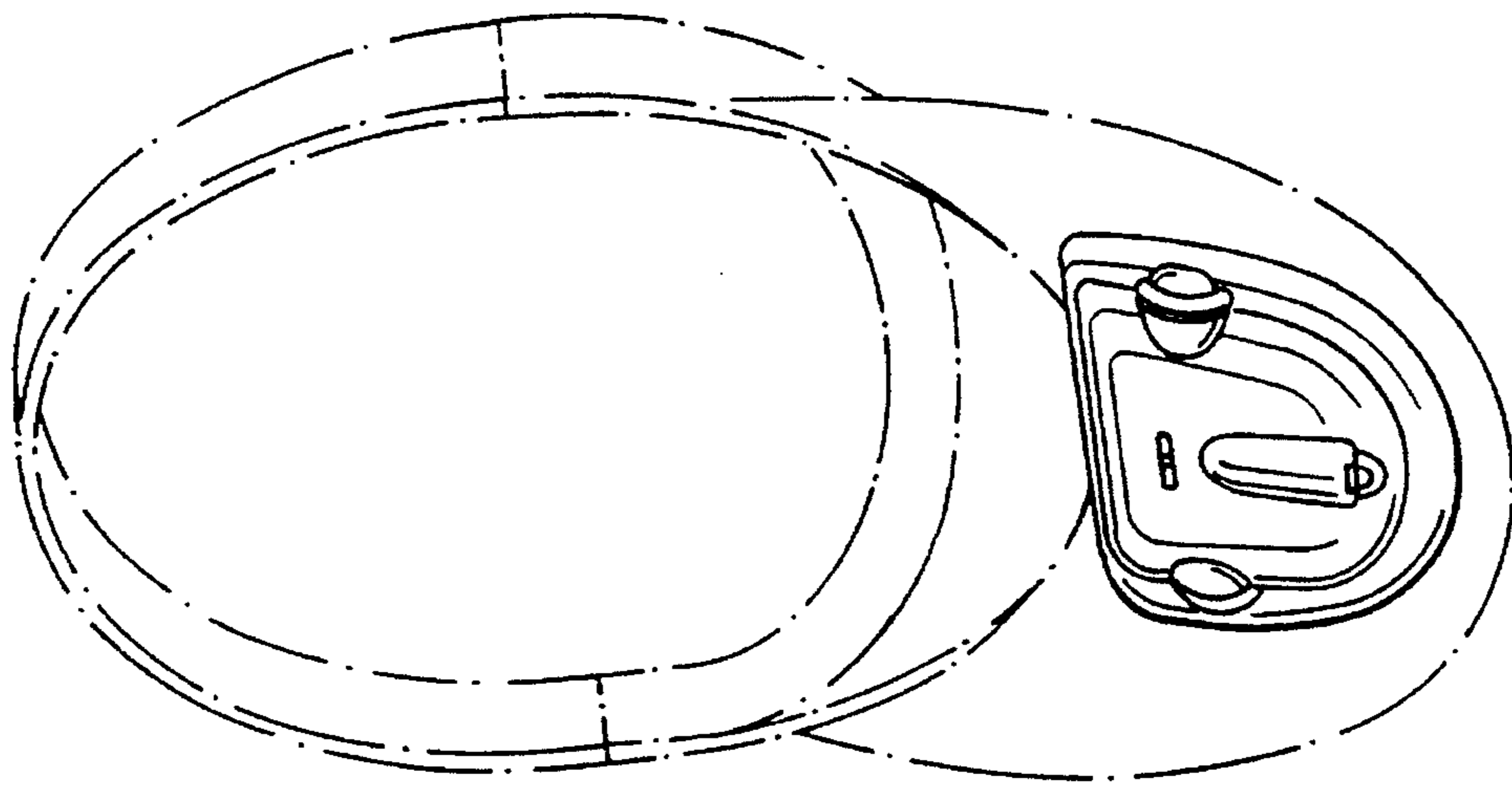


FIG. 8

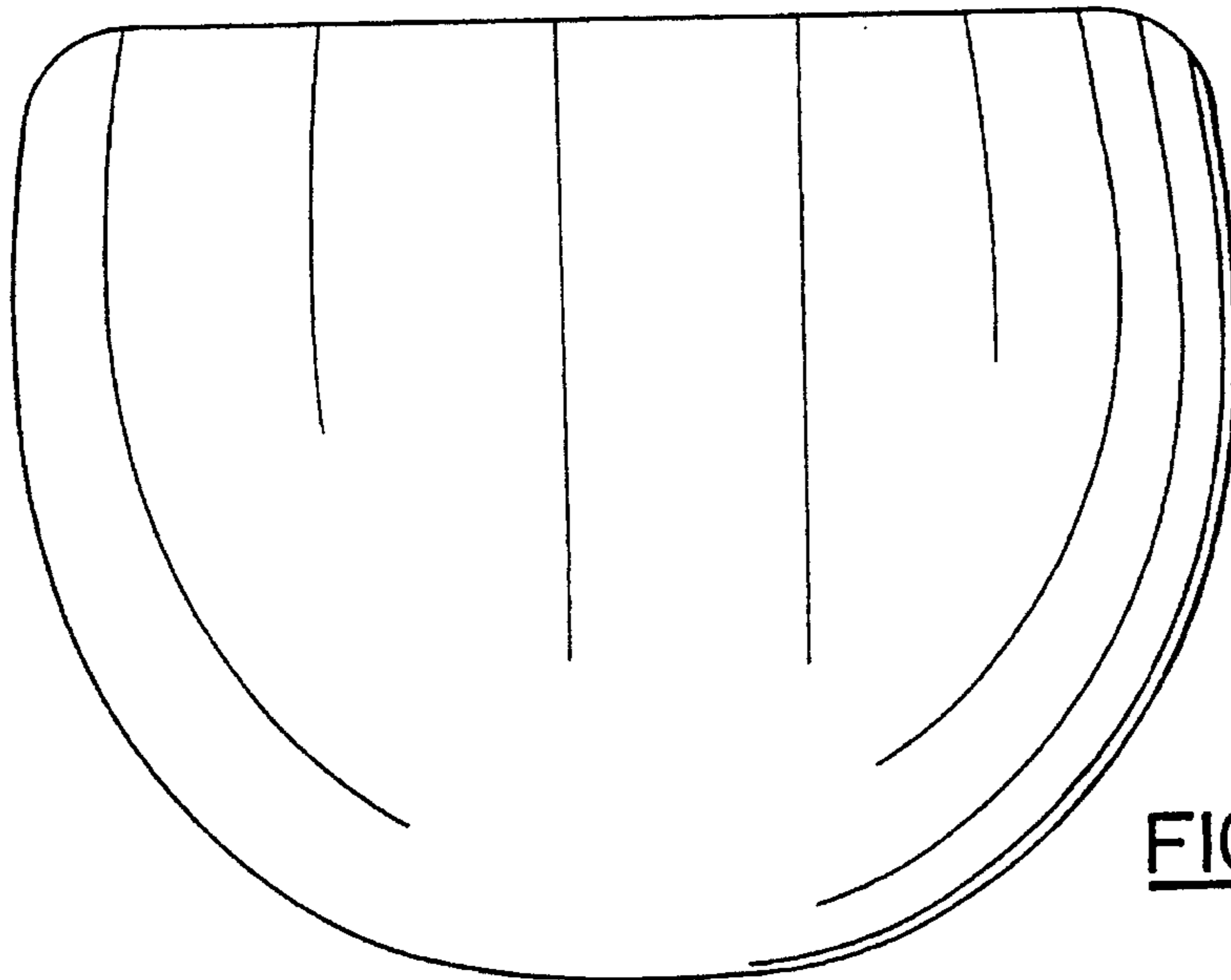


FIG. 13

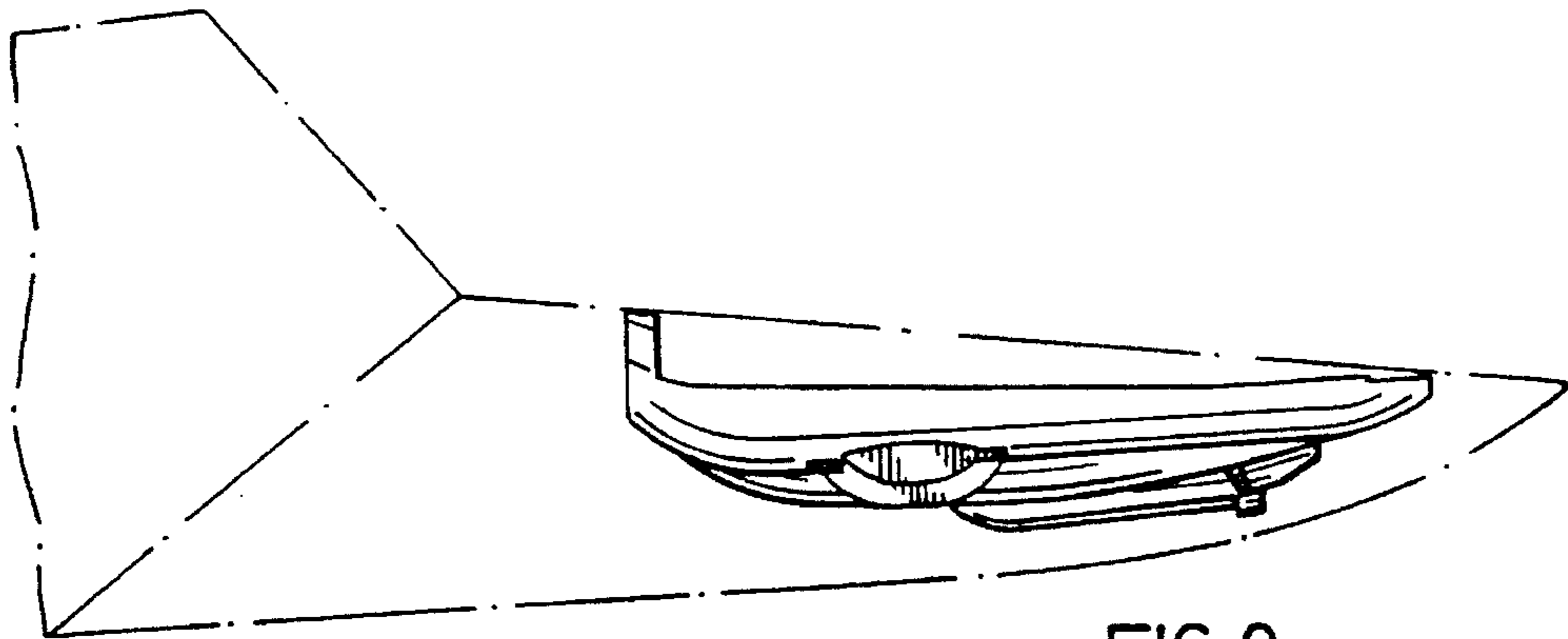


FIG. 9

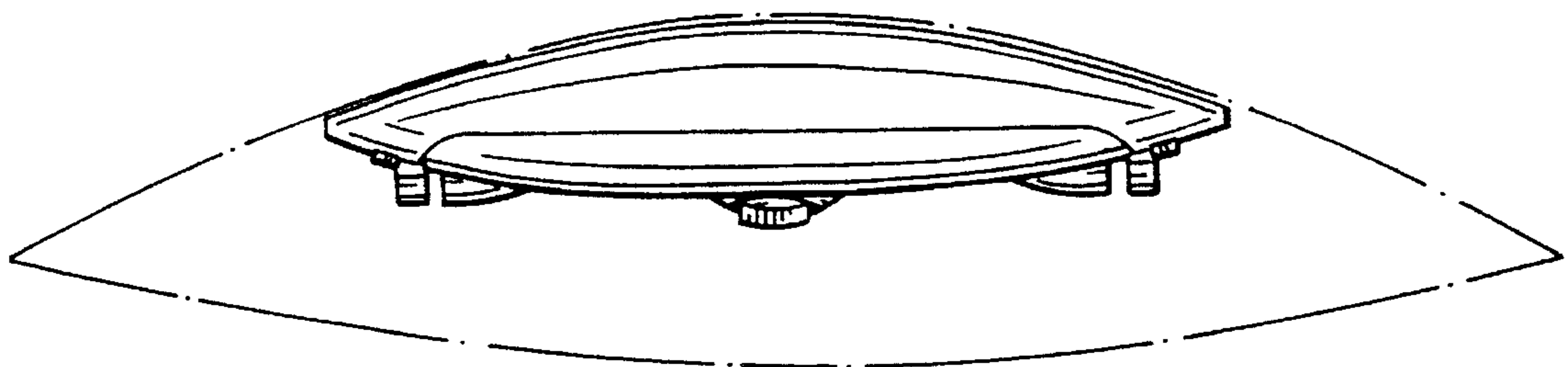


FIG. 10

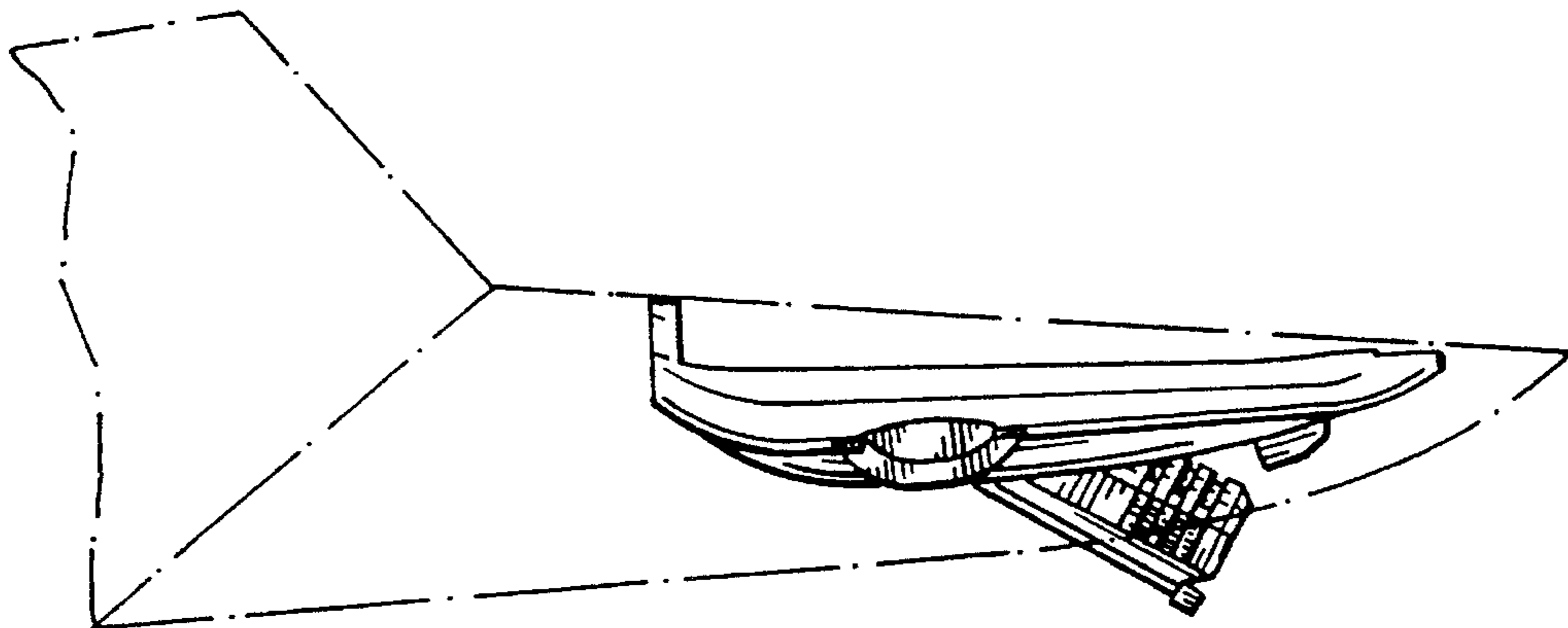


FIG. 11

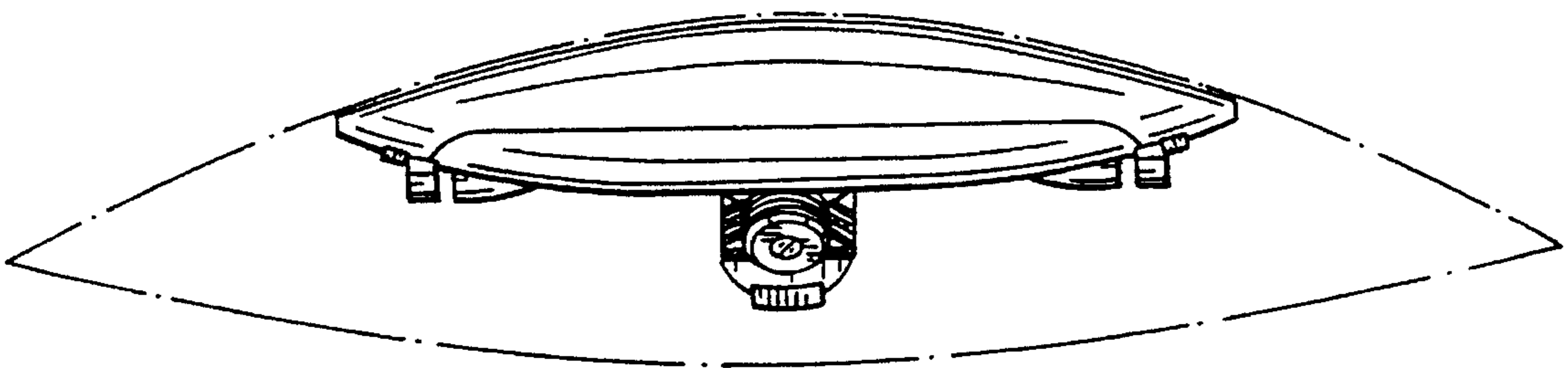


FIG. 12

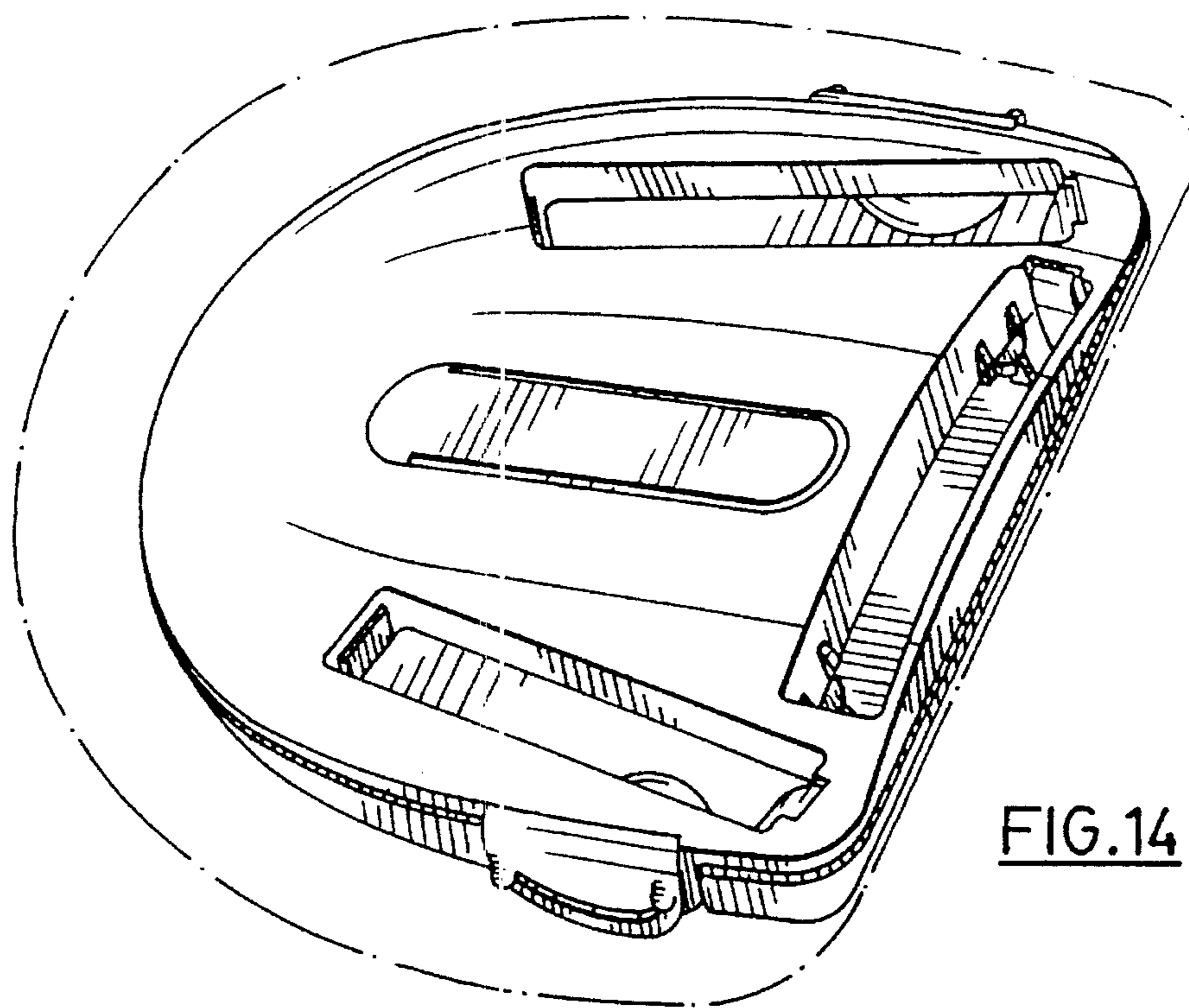


FIG. 14

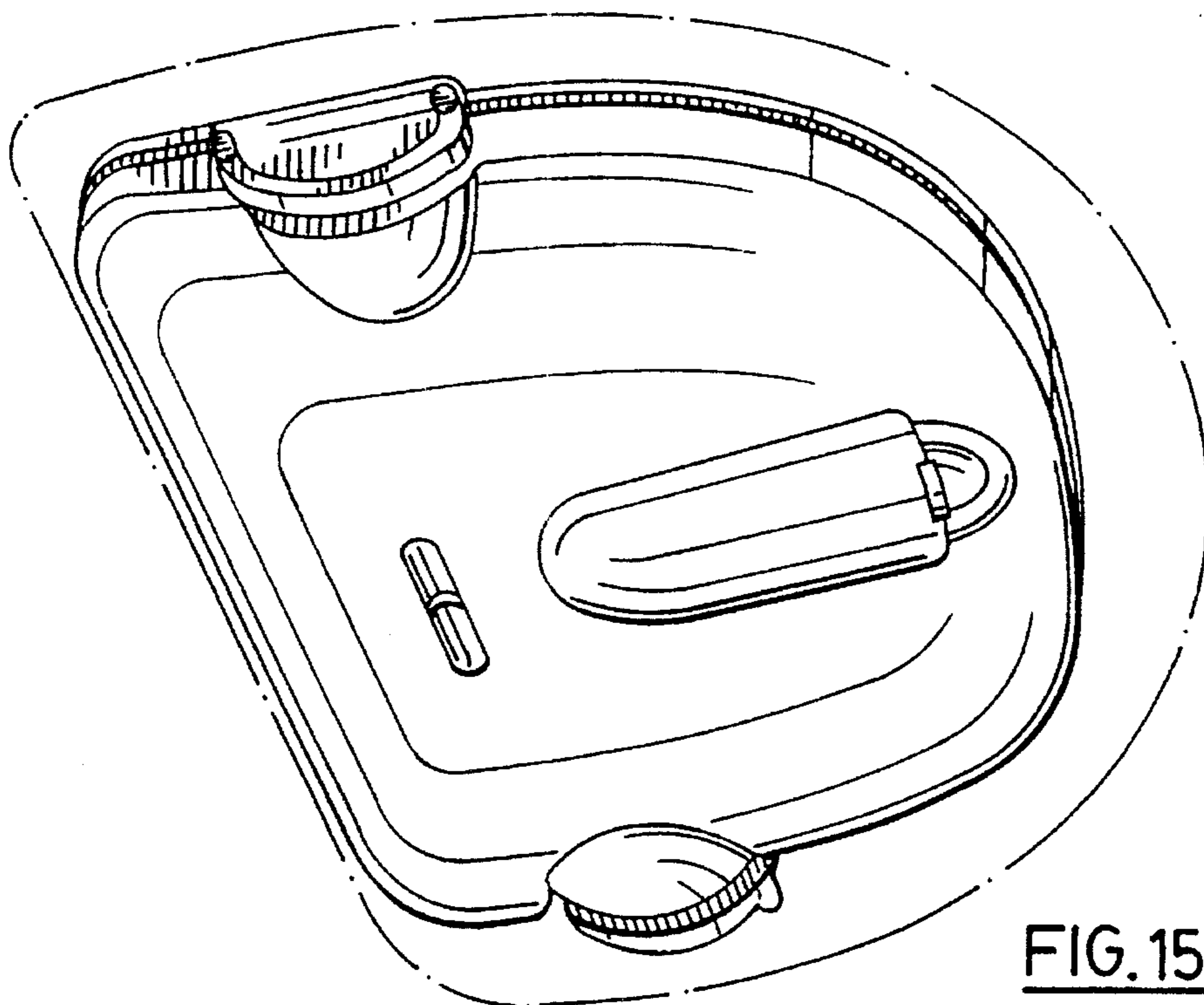


FIG. 15

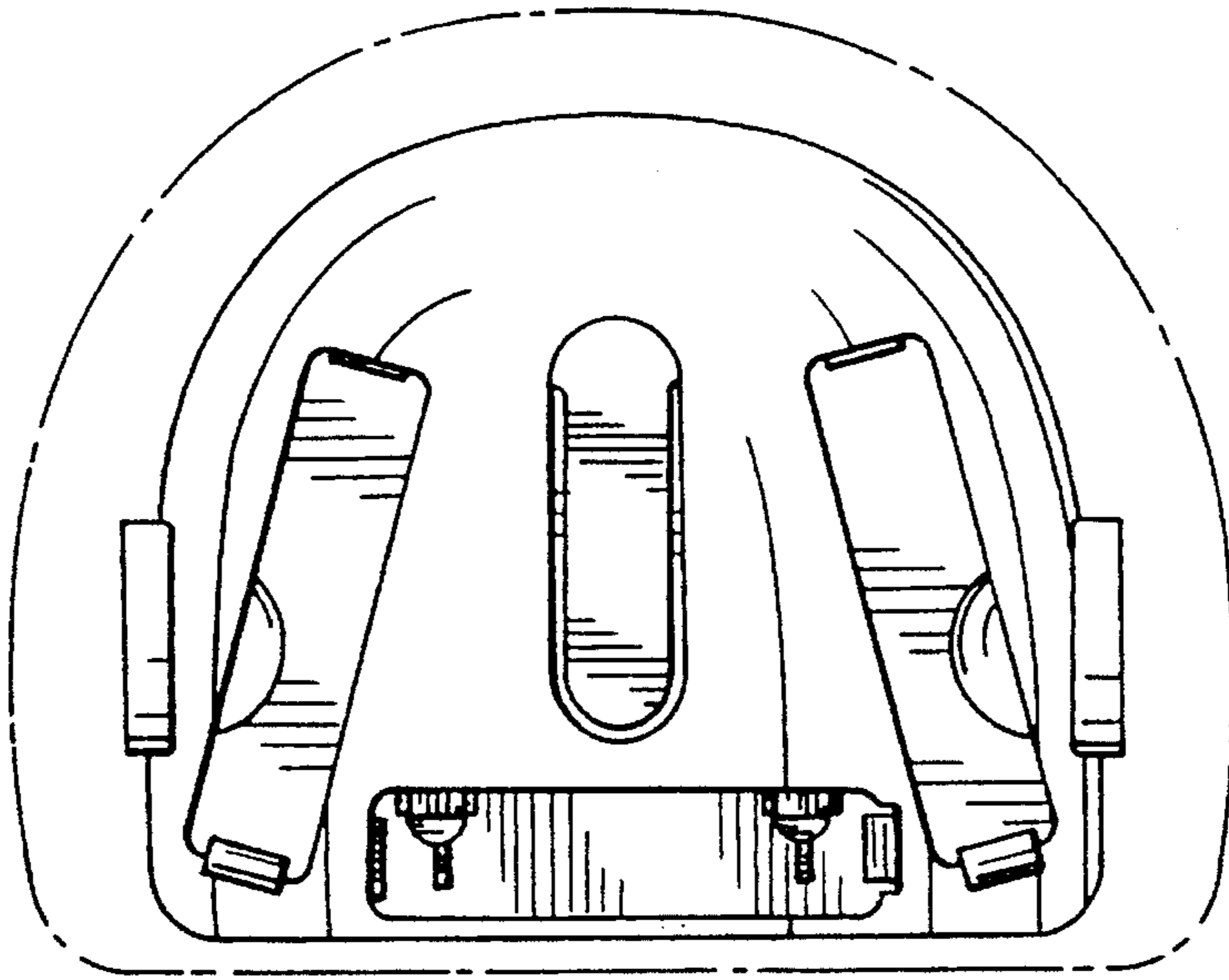


FIG. 16

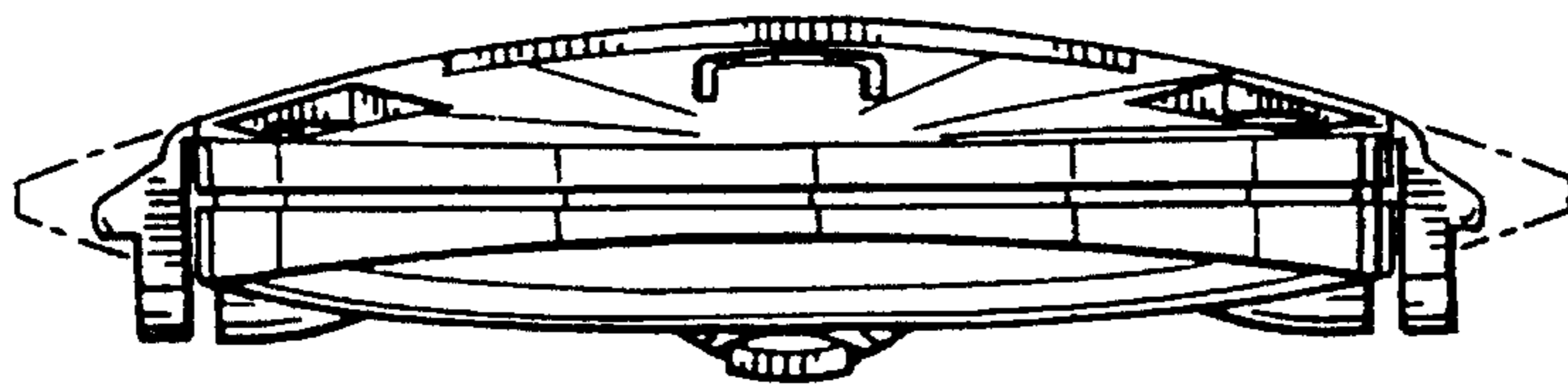


FIG. 17

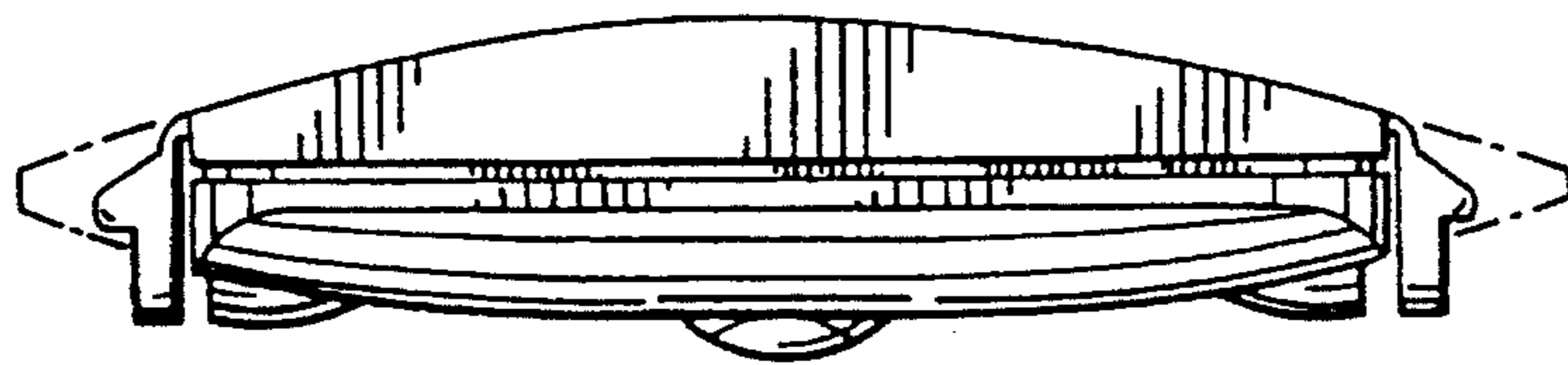


FIG. 18

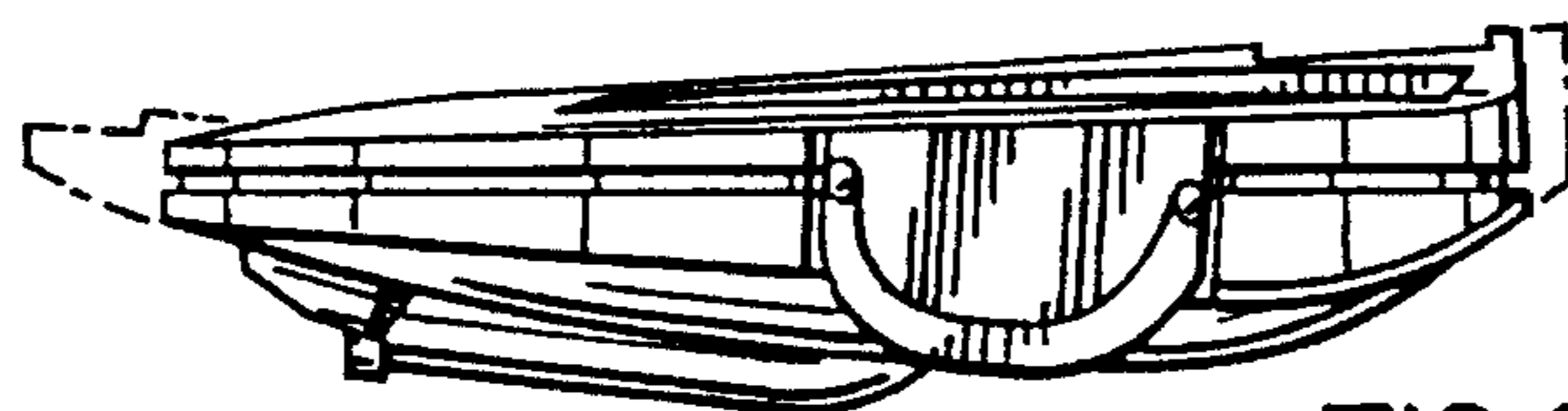


FIG. 19