



US00D376464S

**United States Patent** [19]  
**Cunningham et al.**

[11] **Patent Number: Des. 376,464**  
[45] **Date of Patent: \*\*Dec. 10, 1996**

[54] **MAILBOX WITH SLIDE**

5,425,501 6/1995 Wesorick ..... 232/17

[76] Inventors: **Jeffrey S. Cunningham; Kathy H. Cunningham**, both of 1009 State Rte. 541, Coshocton, Ohio 43812

*Primary Examiner*—B. J. Bullock  
*Assistant Examiner*—S. Snapp  
*Attorney, Agent, or Firm*—Harpman & Harpman

[\*\*] Term: **14 Years**

[57] **CLAIM**

[21] Appl. No.: **38,170**

The ornamental design for a mailbox with slide, as shown and described.

[22] Filed: **Apr. 28, 1995**

**DESCRIPTION**

[52] U.S. Cl. .... **D99/31**

[58] Field of Search ..... D99/29-33; 232/1 C, 232/1 D, 4 R, 5, 17, 19, 25-28, 34, 35, 37-39, 43.4

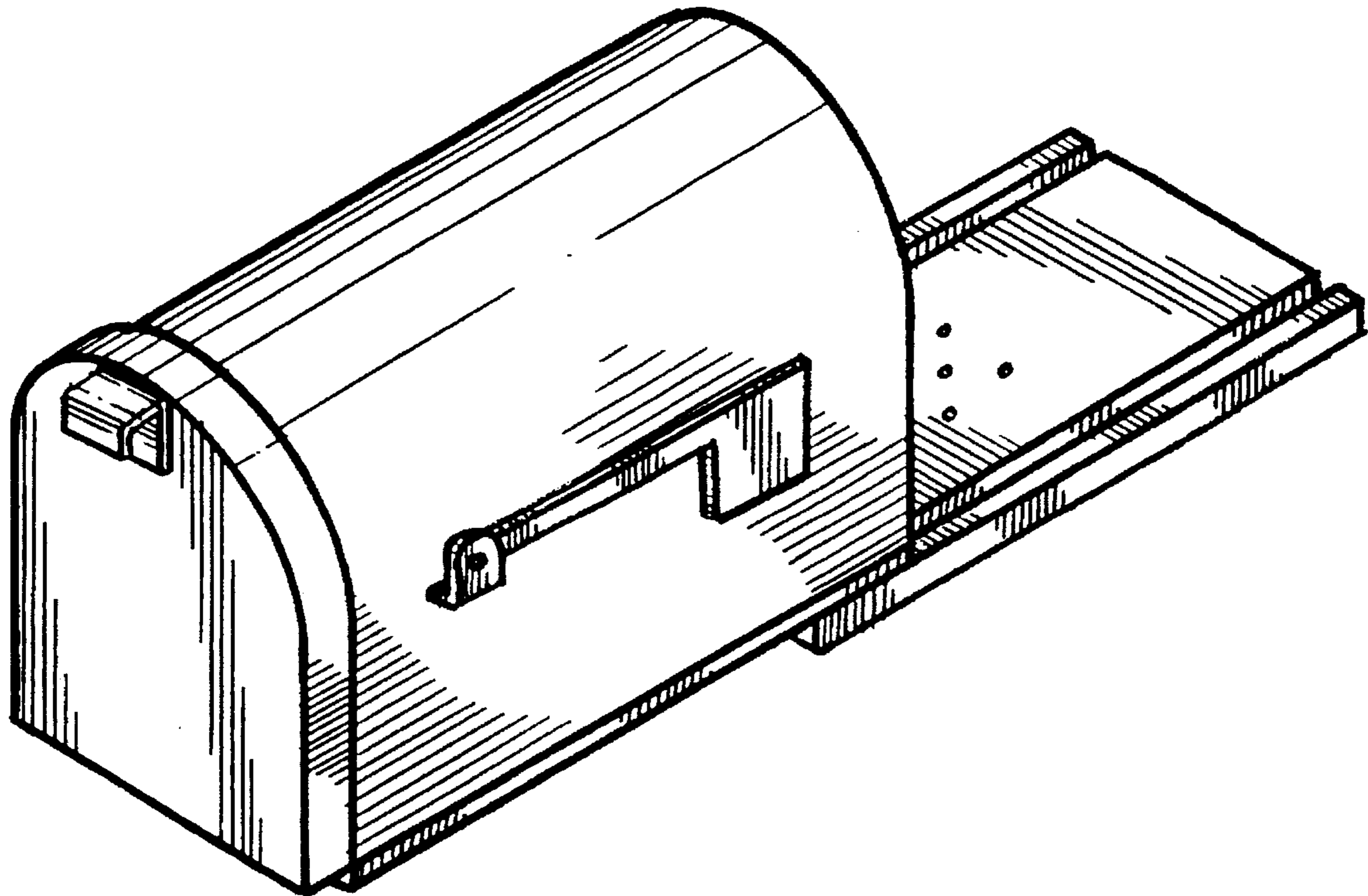
FIG. 1 is a front, top and right side perspective view of the mailbox with slide embodying the design of the present invention;  
FIG. 2 is a front elevational view thereof;  
FIG. 3 is a rear elevational view thereof;  
FIG. 4 is a right side elevational view thereof;  
FIG. 5 is a left side elevational view thereof;  
FIG. 6 is a top plan view thereof; and,  
FIG. 7 is a bottom plan view thereof.

[56] **References Cited**

**U.S. PATENT DOCUMENTS**

D. 309,560	7/1990	Warlick	.....	D99/32 X
D. 346,265	4/1994	Smith	.....	D99/29
3,650,464	3/1972	Lewis	.....	232/35
4,821,952	4/1989	Deciutiis	.....	232/39 X

**1 Claim, 3 Drawing Sheets**



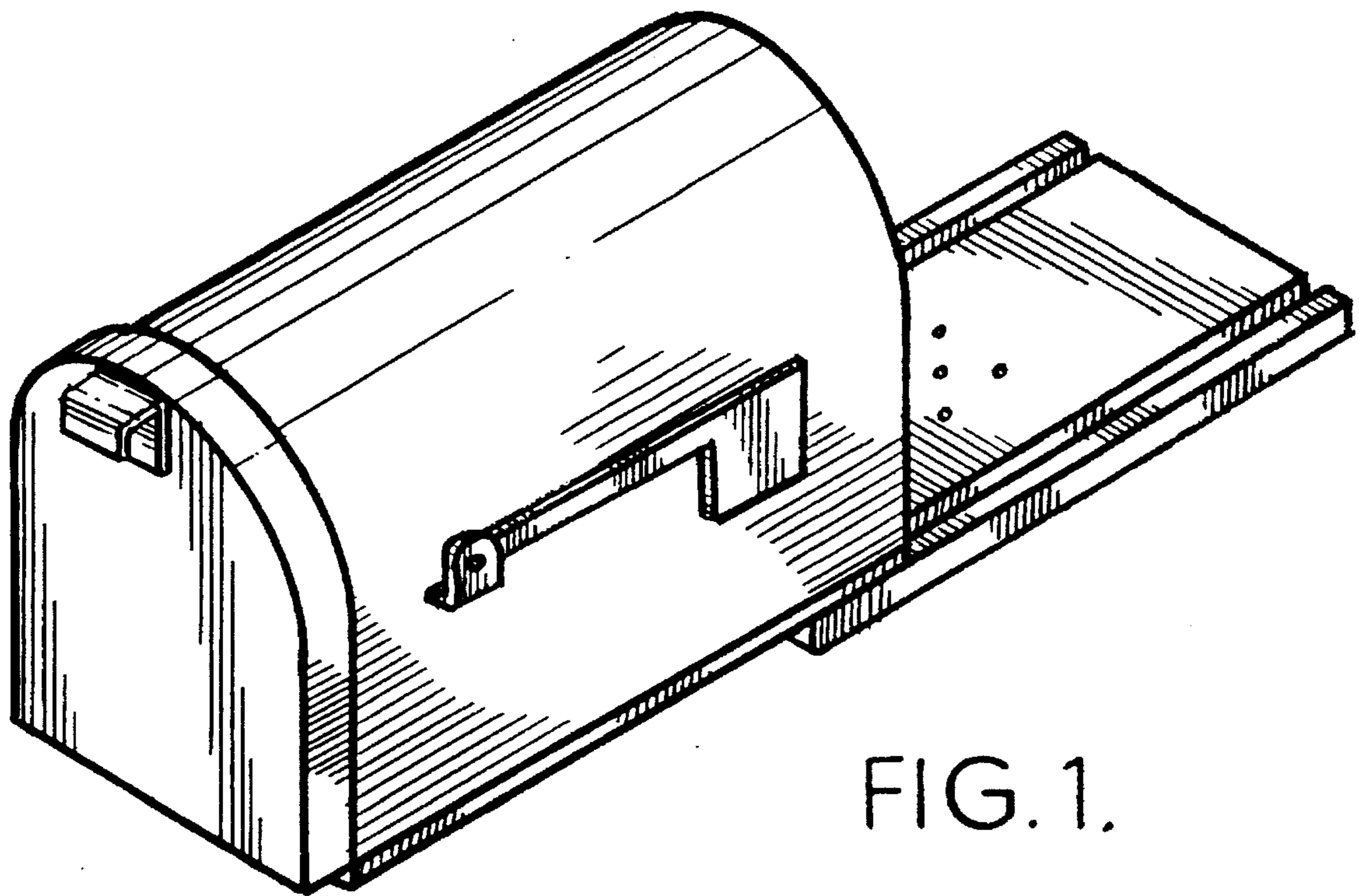


FIG. 1.

FIG. 2.

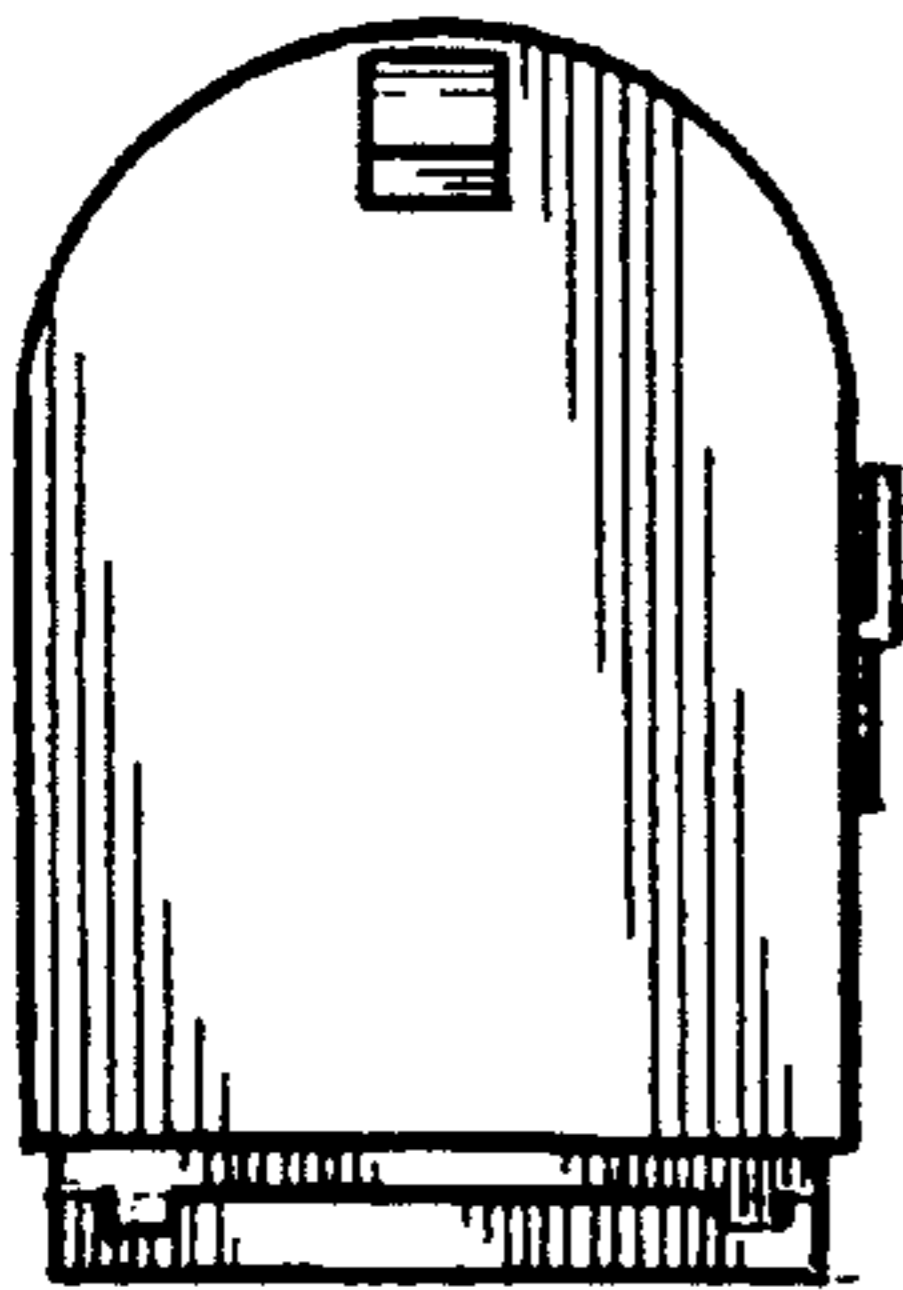


FIG. 4.

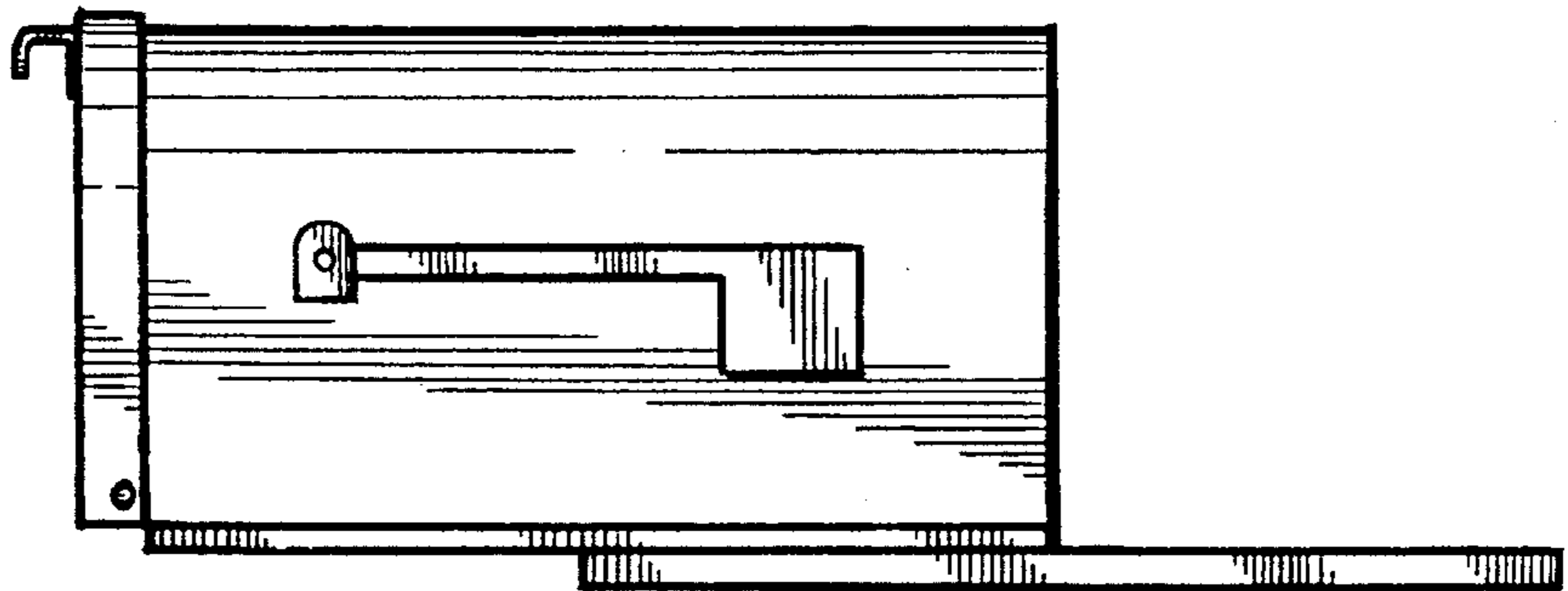


FIG. 6.

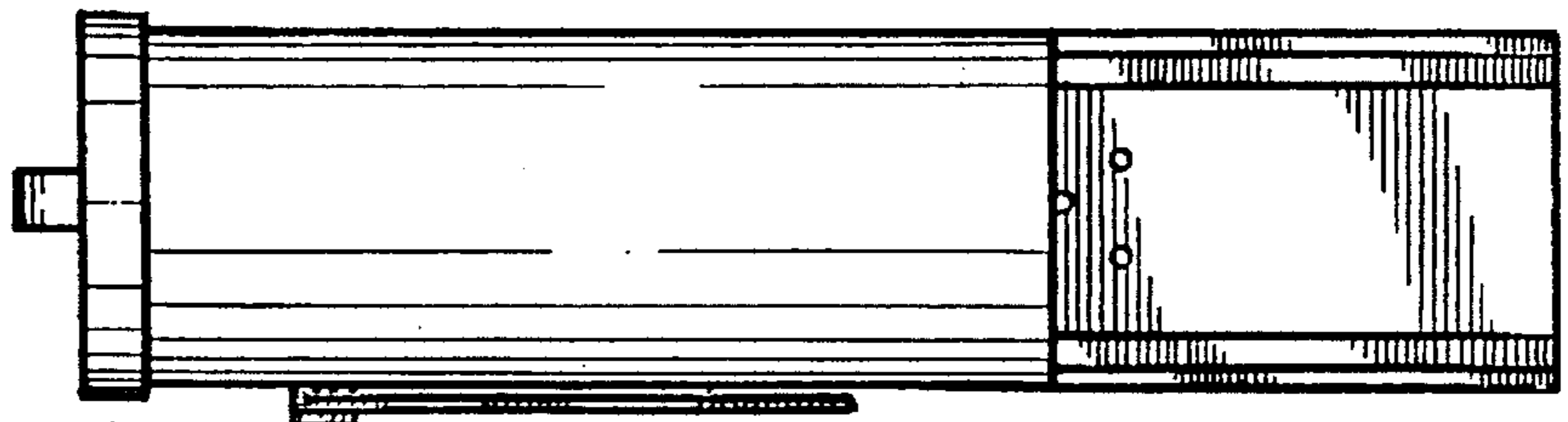


FIG.5.

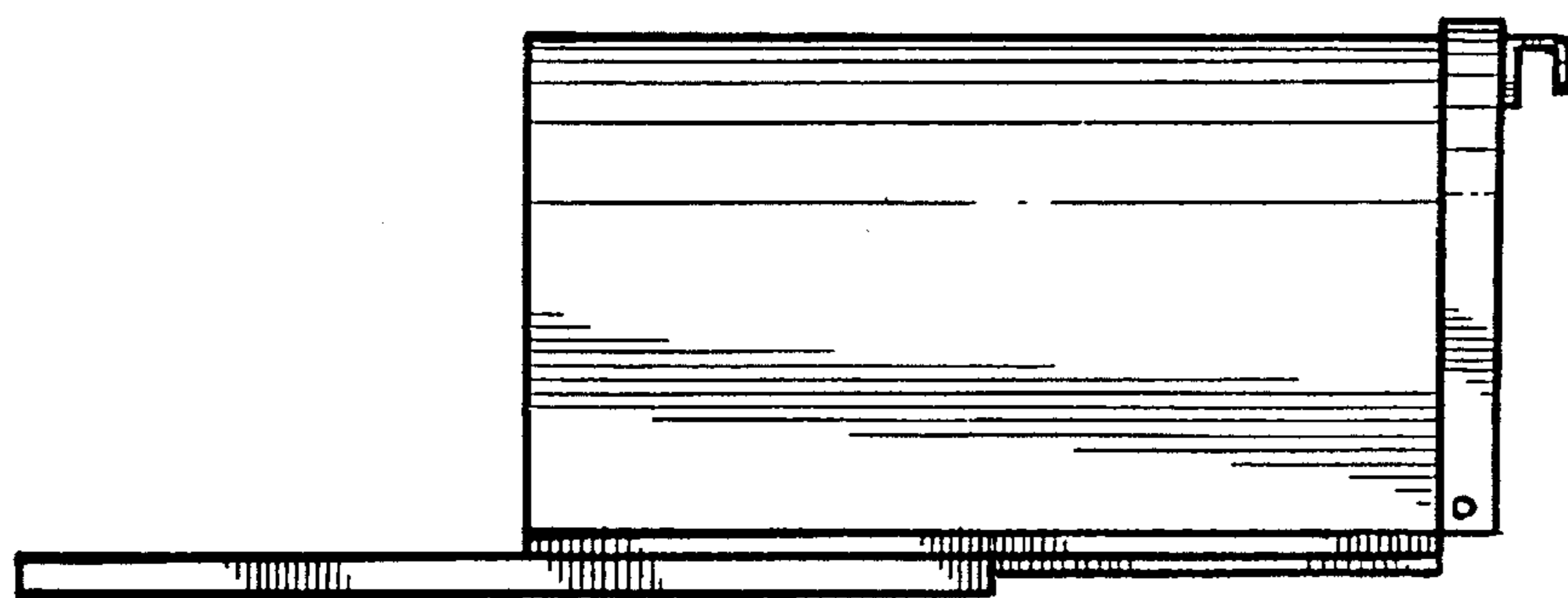


FIG.3.

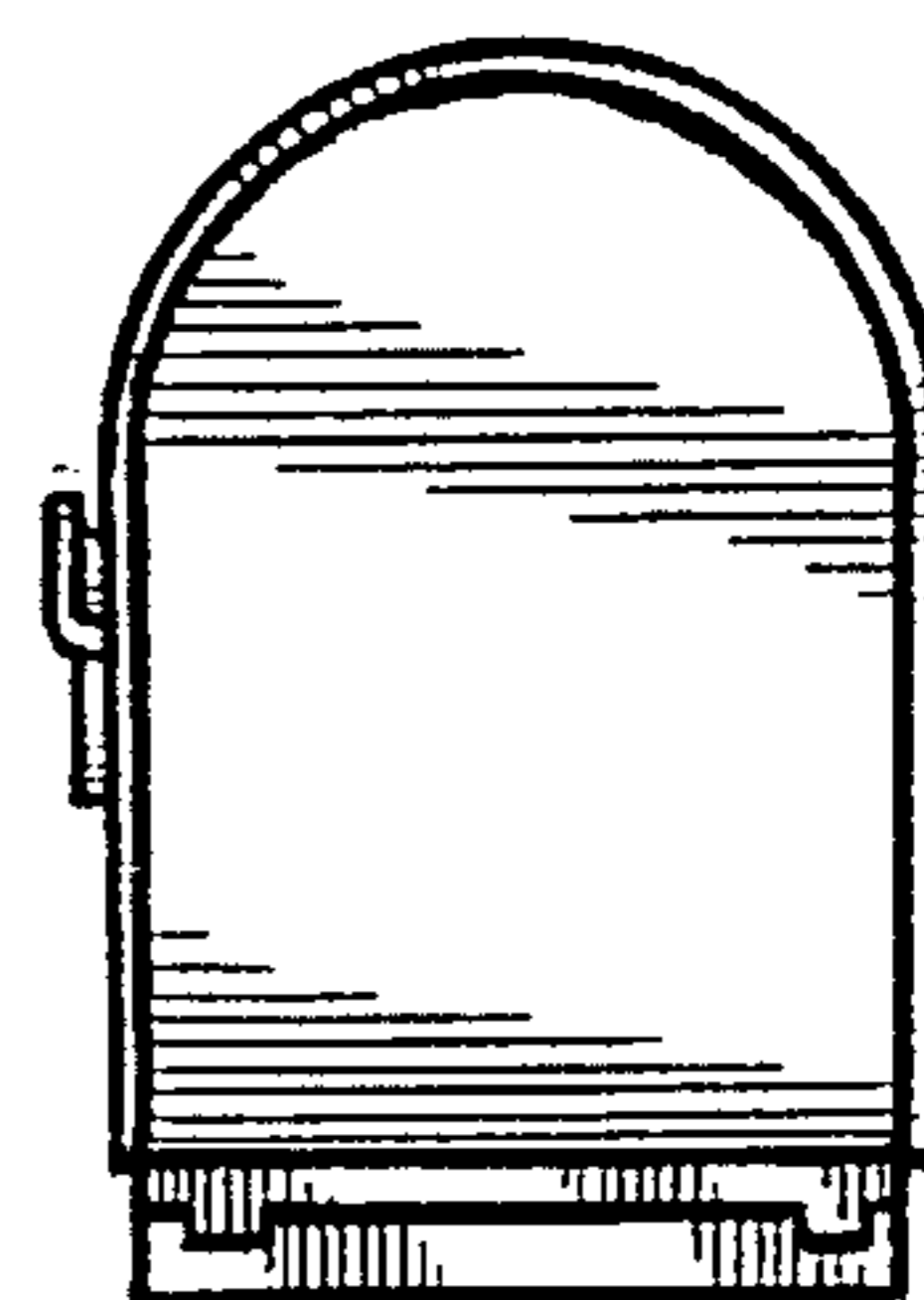


FIG.7.

