



US00D376462S

# United States Patent [19]

Lanigan, Sr. et al.

[11] Patent Number: **Des. 376,462**

[45] Date of Patent: **\*\*Dec. 10, 1996**

[54] **LIFTING FITTING FOR REMOVABLE TRUCK TRAILERS**

3,086,807 4/1963 Russell et al. .... 294/68.3  
3,128,117 4/1964 Abolins ..... 294/68.3

[75] Inventors: **John J. Lanigan, Sr.; James A. Baumann**, both of Orland Park, Ill.

*Primary Examiner*—A. Hugo Word  
*Assistant Examiner*—Robin V. Taylor  
*Attorney, Agent, or Firm*—Robert A. Brown

[73] Assignee: **Mi-Jack Products, Inc.**, Hazel Crest, Ill.

[57] **CLAIM**

[\*\*] Term: **14 Years**

The ornamental design for a lifting fitting for removable truck trailers, as shown and described.

[21] Appl. No.: **47,930**

**DESCRIPTION**

[22] Filed: **Dec. 15, 1995**

FIG. 1 is a perspective view of a lifting fitting for removable truck trailers showing our new design, the broken line showing of a truck chassis and three additional fittings is for illustrative purposes only and form no part of the claimed design;

**Related U.S. Application Data**

[62] Division of Ser. No. 21,417, Apr. 18, 1994.  
[52] U.S. Cl. .... **D34/35; D34/28; D12/106**  
[58] **Field of Search** ..... D34/28, 34, 35;  
D12/97, 106, 223; D8/300, 313, 314; 16/110 R,  
124; 294/68.3, 67.33, 81.62, 74

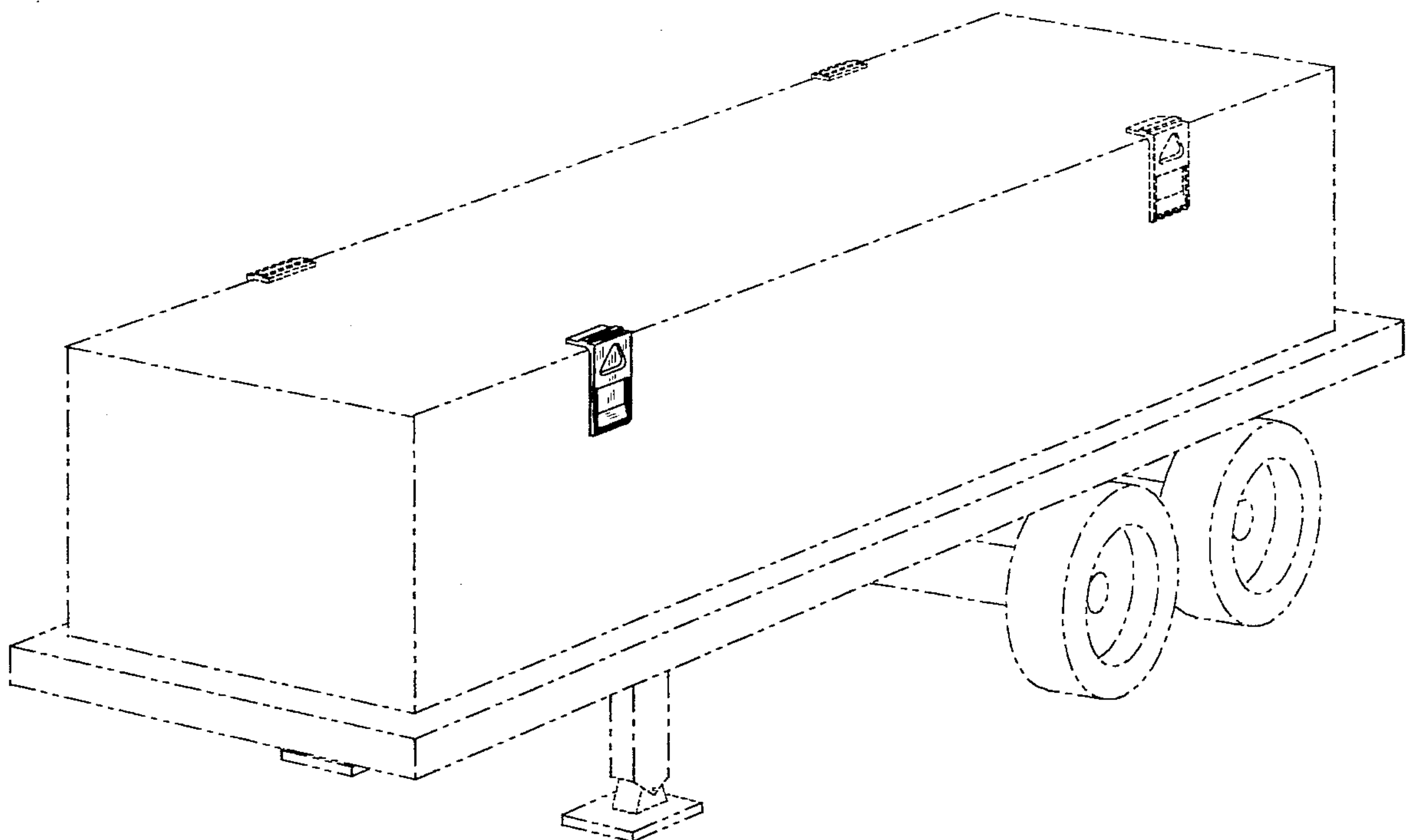
FIG. 2 is an enlarged perspective view thereof;  
FIG. 3 is a further enlarged front elevational view thereof;  
FIG. 4 is a back side elevational view of FIG. 3;  
FIG. 5 is a bottom side plan view of FIG. 3;  
FIG. 6 is a top plan view of FIG. 3;  
FIG. 7 is a left side elevational view of FIG. 3;  
FIG. 8 is a right side elevational view of FIG. 3; and,  
FIG. 9 is a further enlarged sectional view taken along the line 9—9 of FIG. 3.

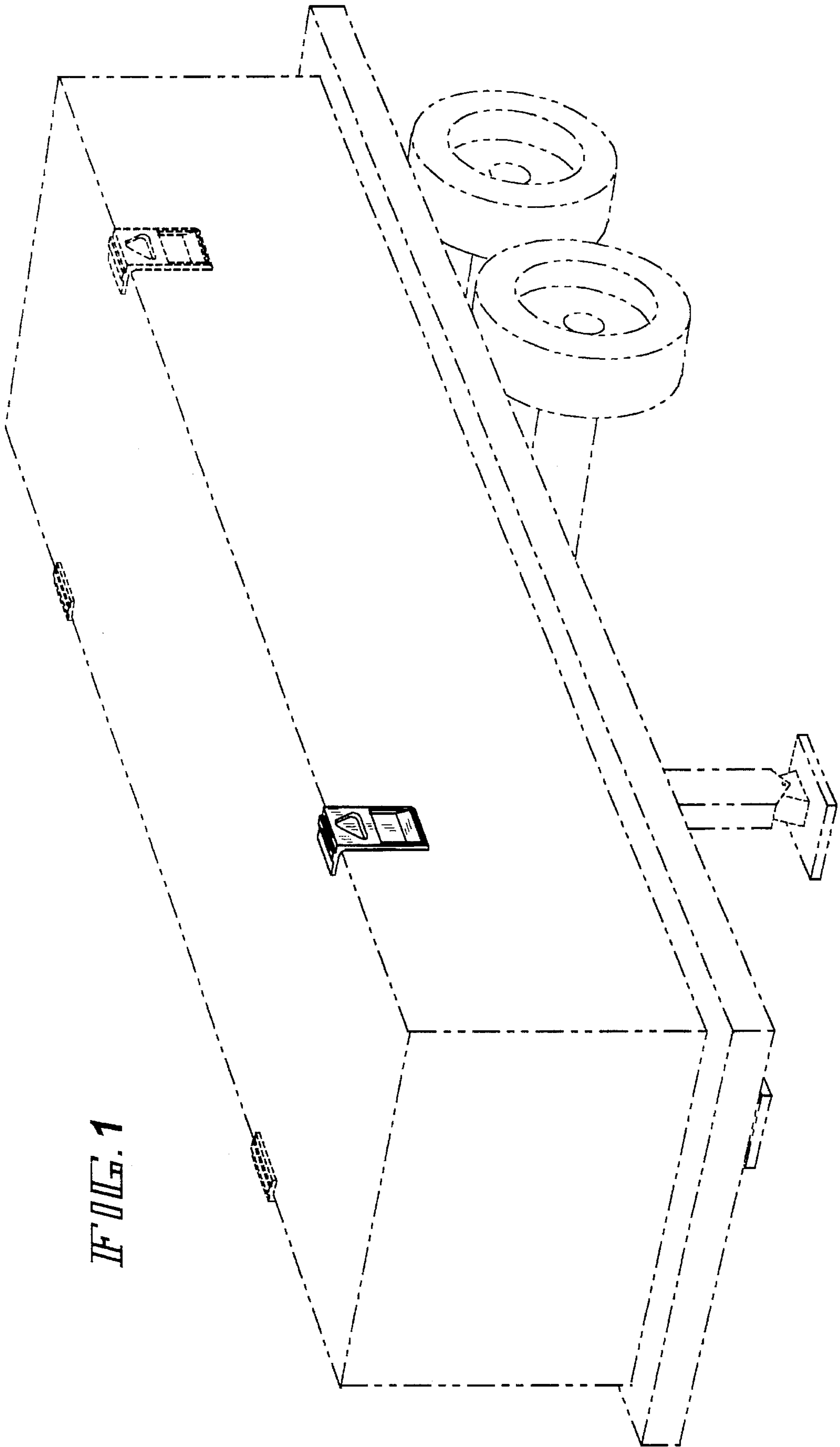
[56] **References Cited**

**U.S. PATENT DOCUMENTS**

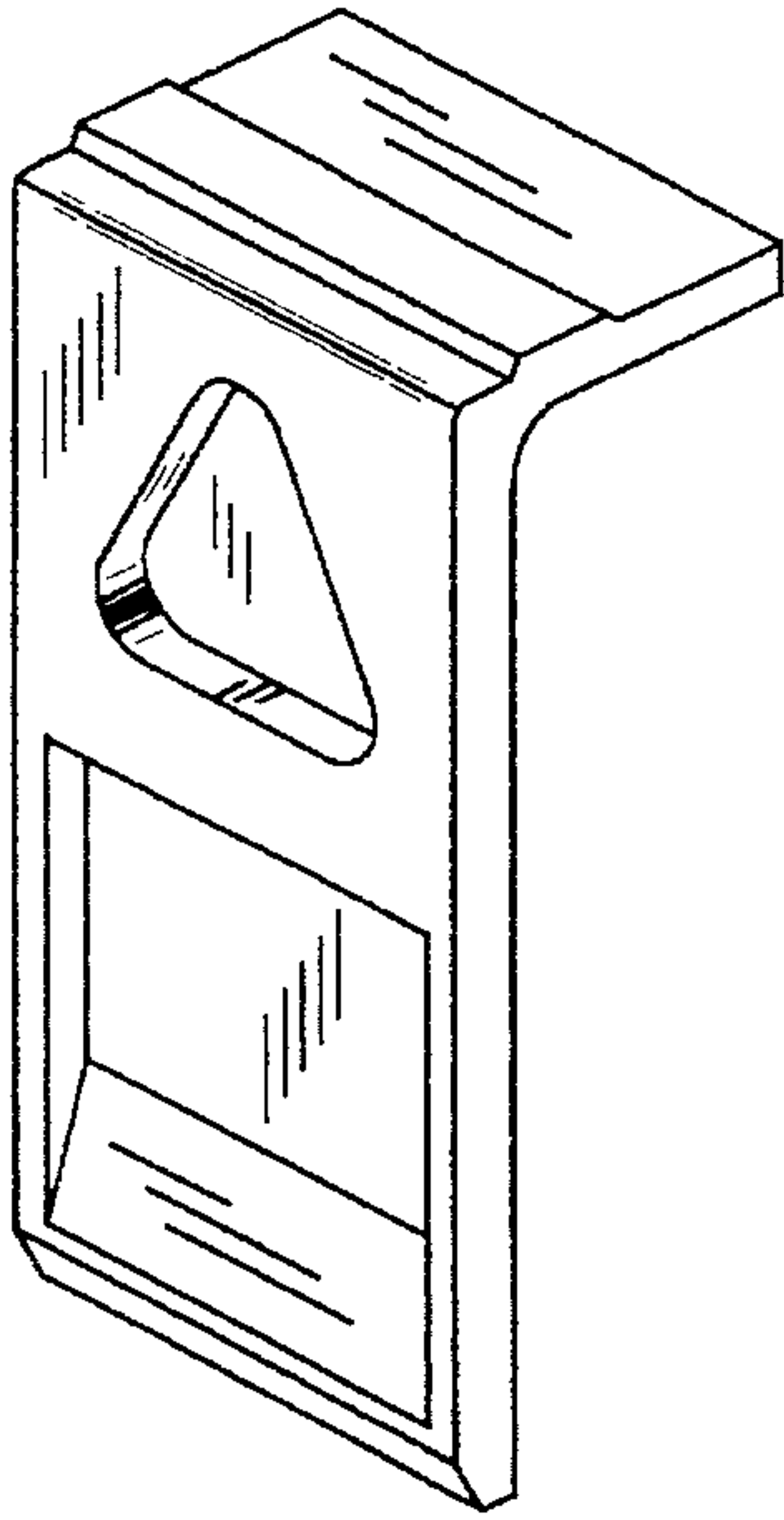
D. 230,132 1/1974 Pastva ..... D8/313  
D. 344,695 3/1994 Baumann ..... D34/28  
D. 345,121 3/1994 Baumann ..... D34/28

**1 Claim, 2 Drawing Sheets**

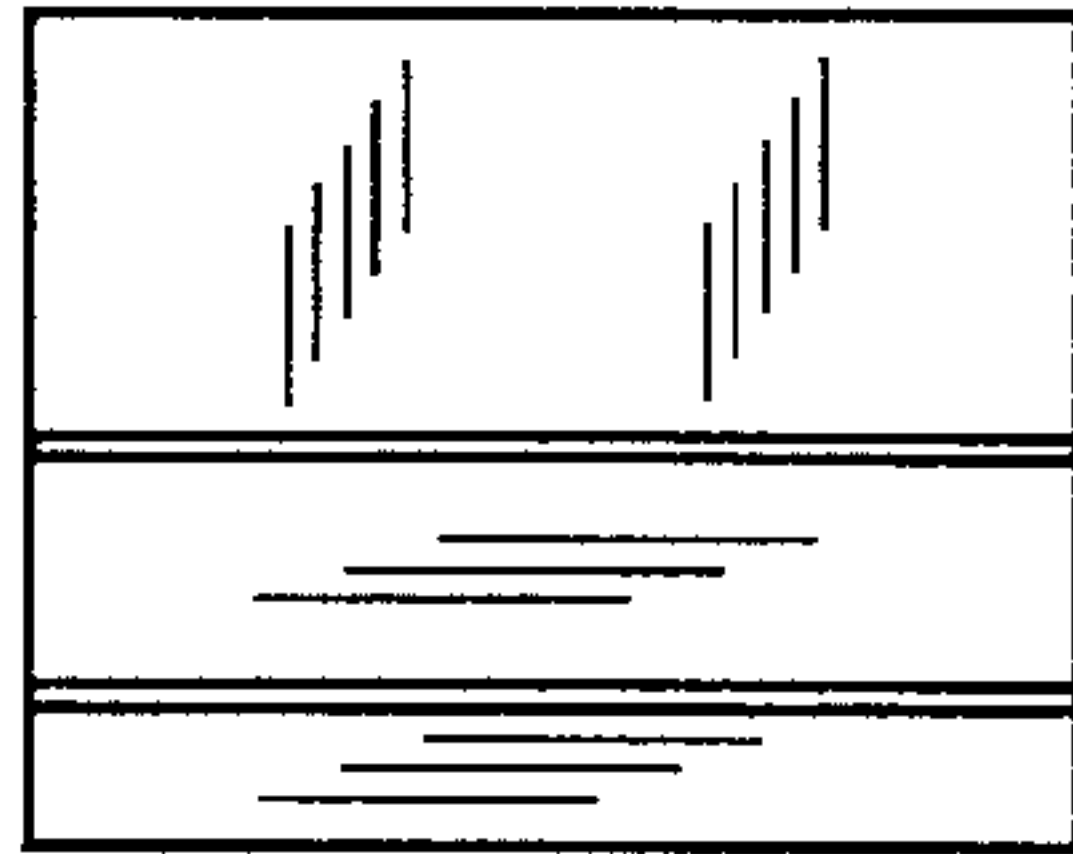




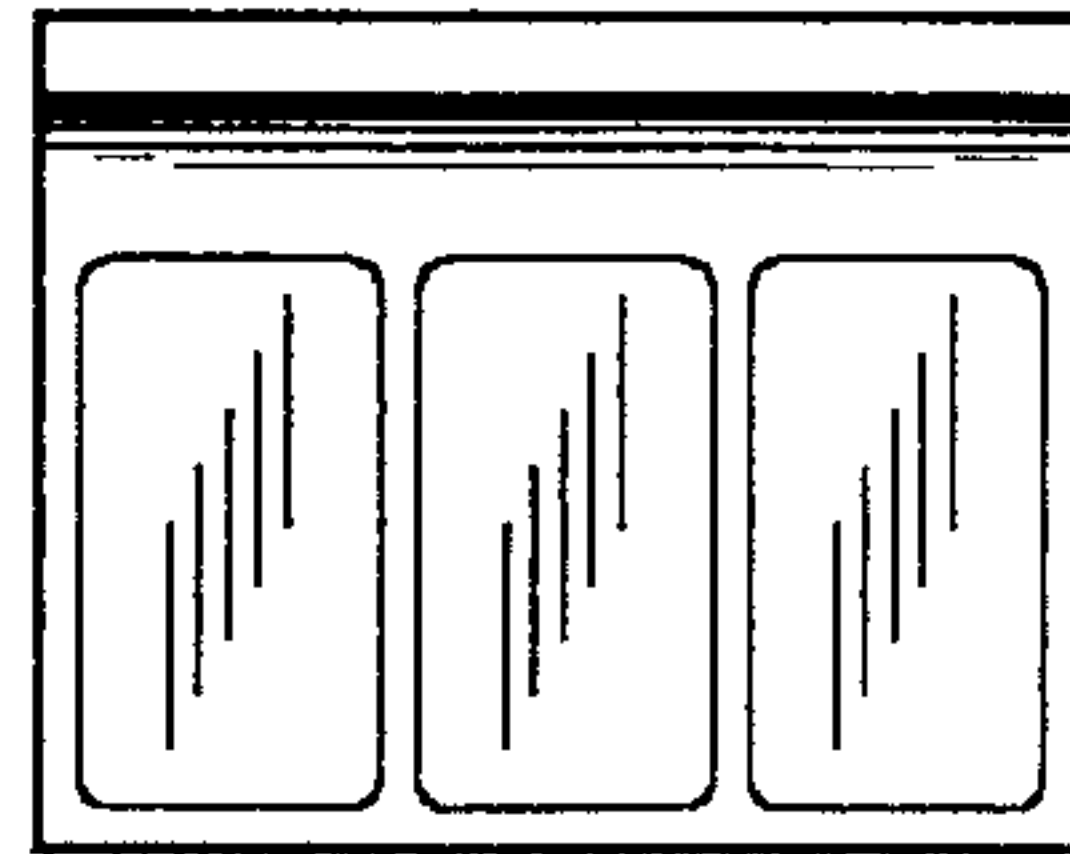
**FIG. 2**



**FIG. 6**

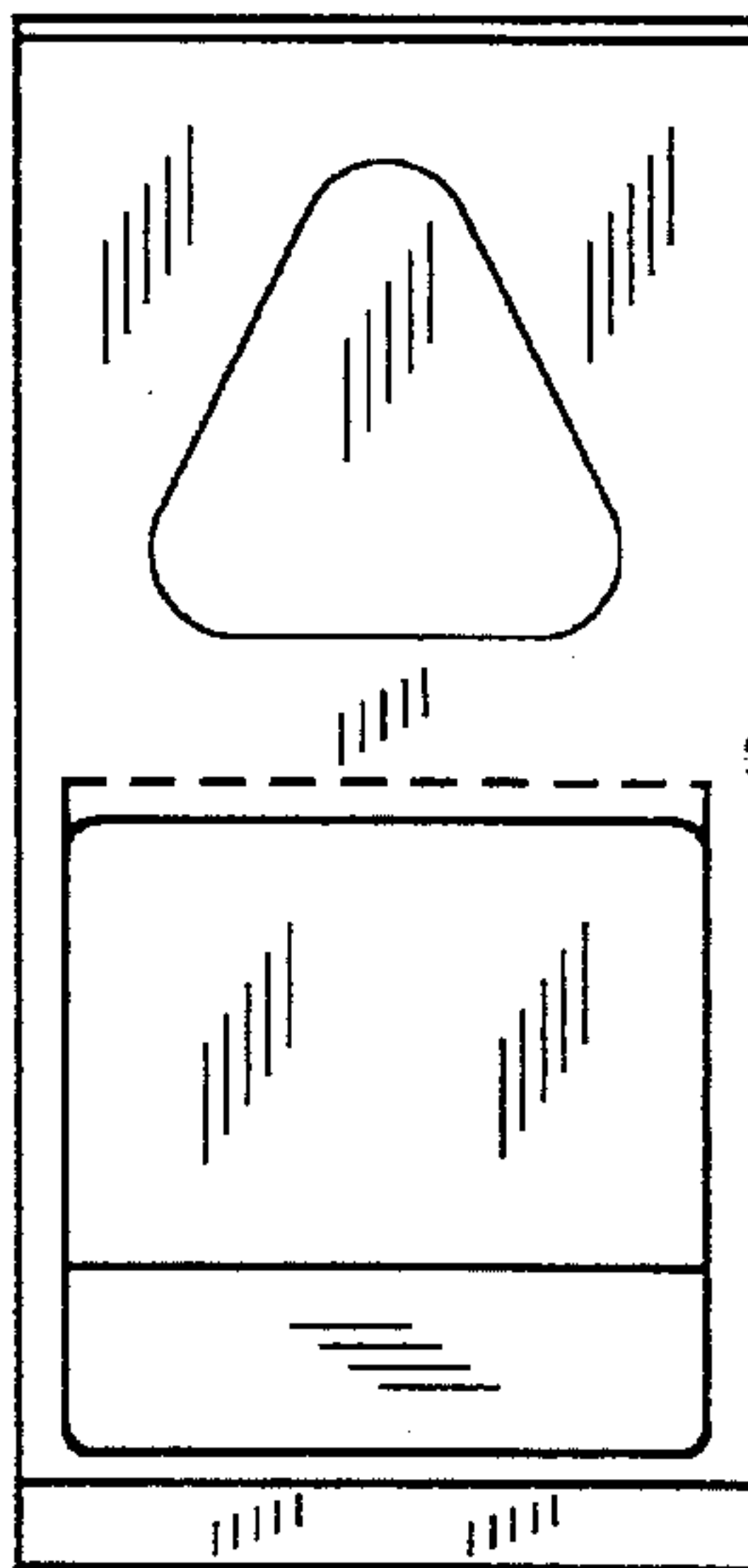


**FIG. 5**



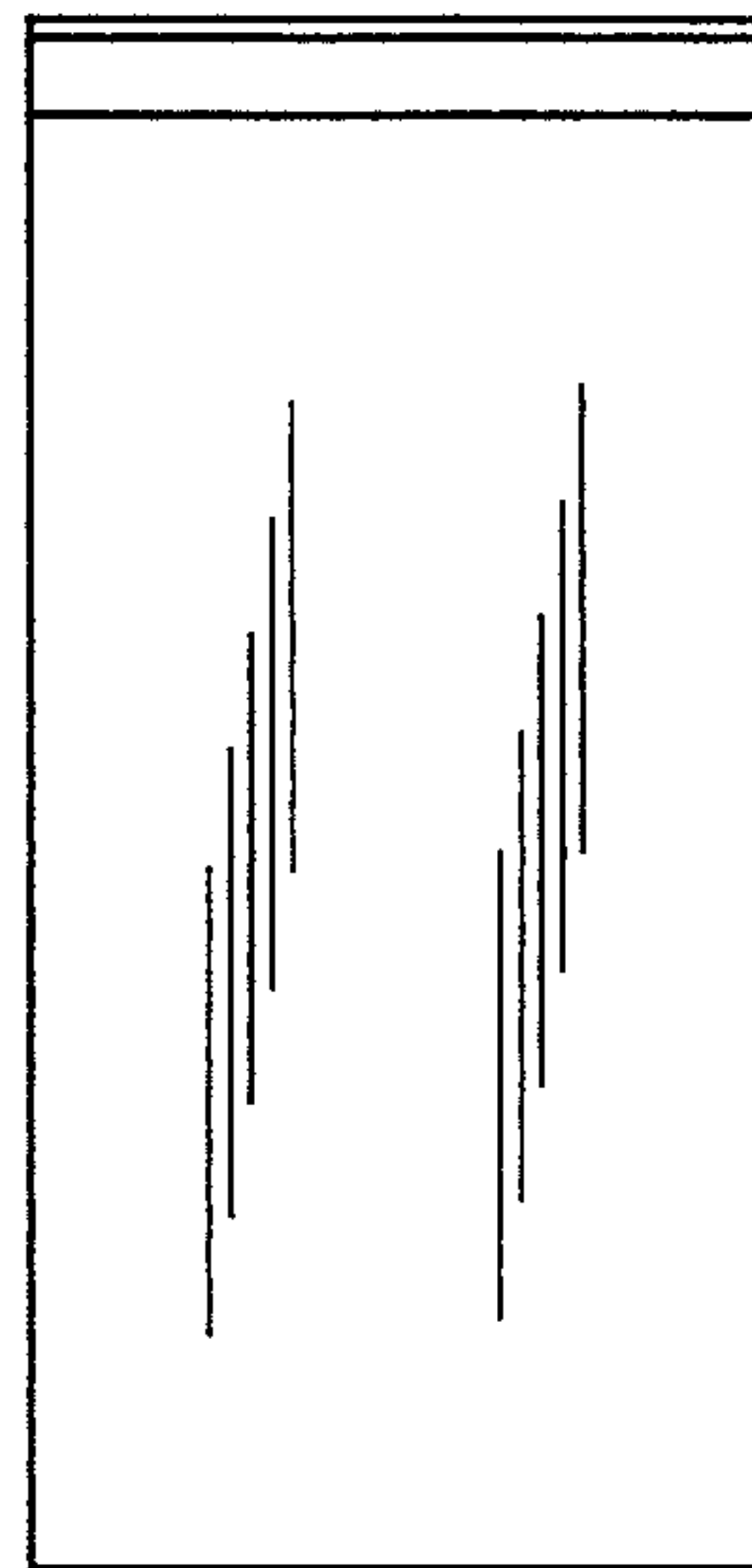
**FIG. 3**

+ → 9

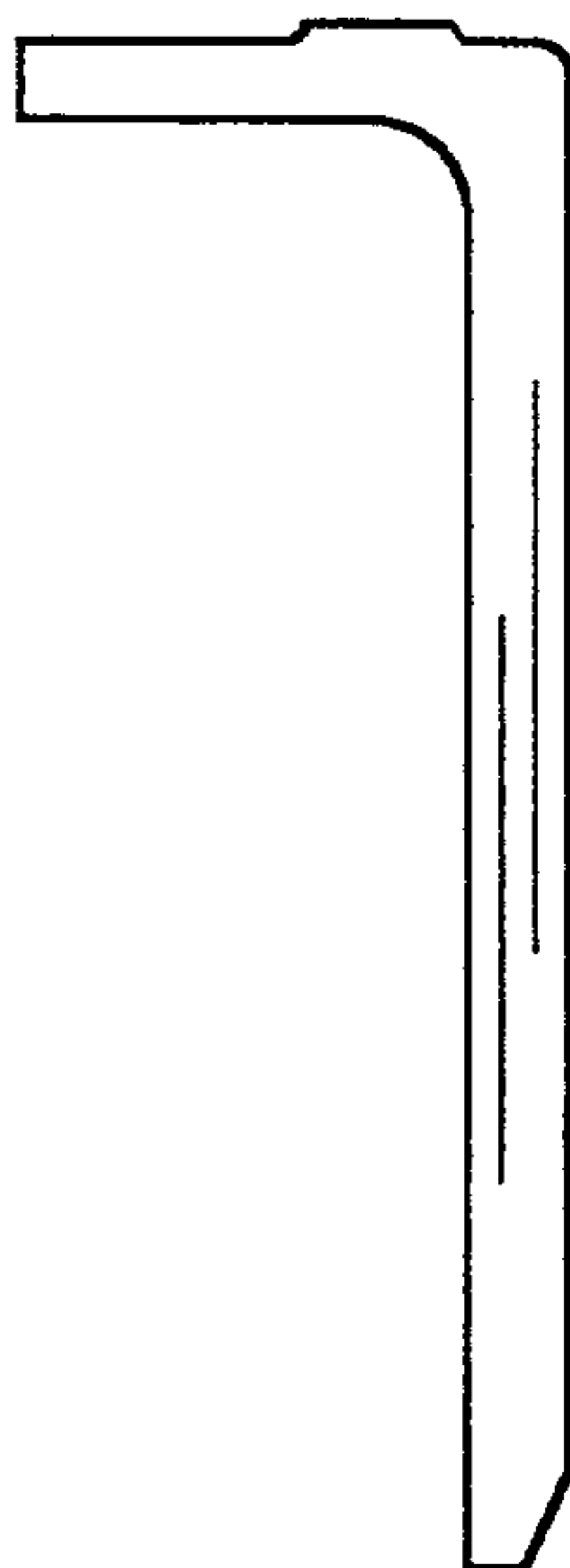


+ → 9

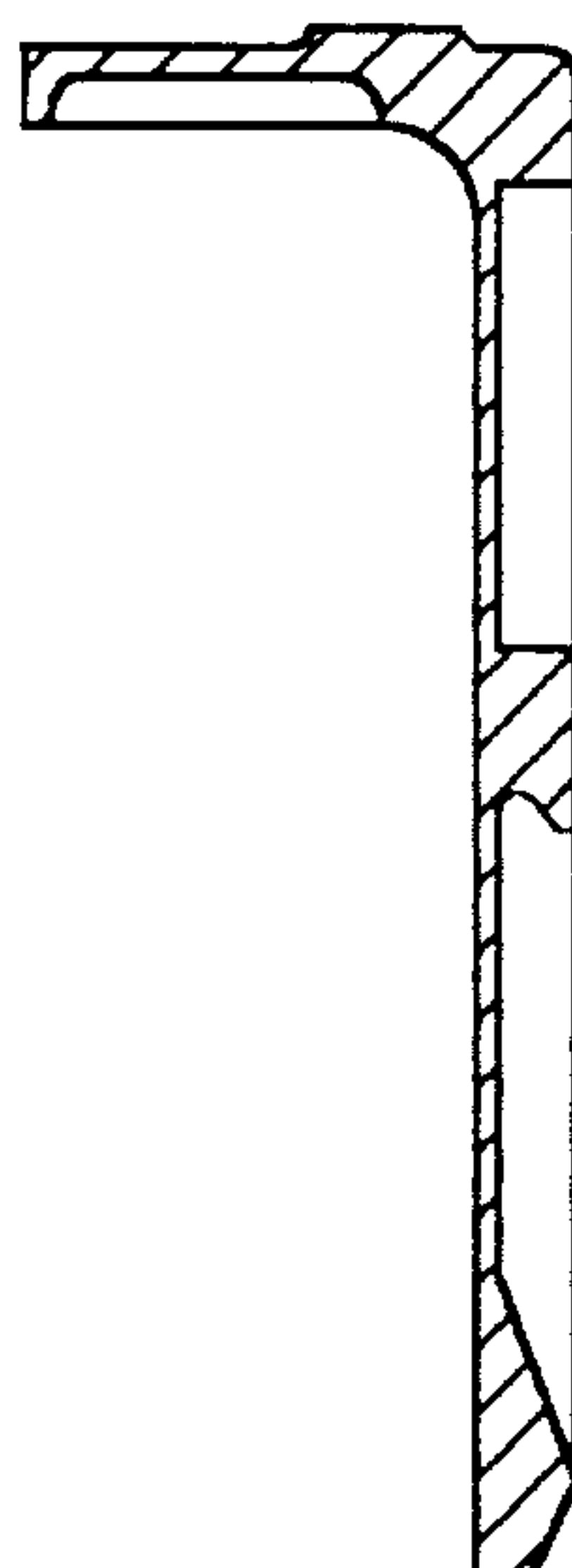
**FIG. 4**



**FIG. 7**



**FIG. 9**



**FIG. 8**

