



US00D376459S

# United States Patent [19]

Myers

[11] Patent Number: **Des. 376,459**

[45] Date of Patent: **\*\*Dec. 10, 1996**

[54] **HANDLE FOR SHOPPING CART**  
[75] Inventor: **Robert Myers**, Chislehurst, United Kingdom

[73] Assignee: **Lorraine Patricia Myers**, United Kingdom

[\*\*] Term: **14 Years**

[21] Appl. No.: **45,069**

[22] Filed: **Oct. 6, 1995**

### [30] Foreign Application Priority Data

Apr. 10, 1995 [GB] United Kingdom ..... 2046623

[52] U.S. Cl. .... **D34/27**

[58] Field of Search ..... D34/27, 12, 17, D34/19; 40/308, 506; 16/111 A, 110 R; 280/33, 992

### [56] References Cited

#### U.S. PATENT DOCUMENTS

D. 341,691 11/1993 Begum et al. .... D34/12

5,301,443 12/1994 Gori ..... 40/308

#### FOREIGN PATENT DOCUMENTS

2643178 8/1990 France ..... 40/308

*Primary Examiner*—Kay H. Chin  
*Attorney, Agent, or Firm*—Samuels, Gauthier, Stevens & Reppert

### [57] CLAIM

The ornamental design for a handle for shopping cart, as shown and described.

### DESCRIPTION

FIG. 1 is a perspective view of a handle for shopping cart showing my new design;  
FIG. 2 is a rear plan view thereof;  
FIG. 3 is a right side elevational view, the left side being a mirror image thereof;  
FIG. 4 is an front plan view thereof;  
FIG. 5 is a top plan view thereof; and,  
FIG. 6 is a bottom plan view thereof.

**1 Claim, 2 Drawing Sheets**

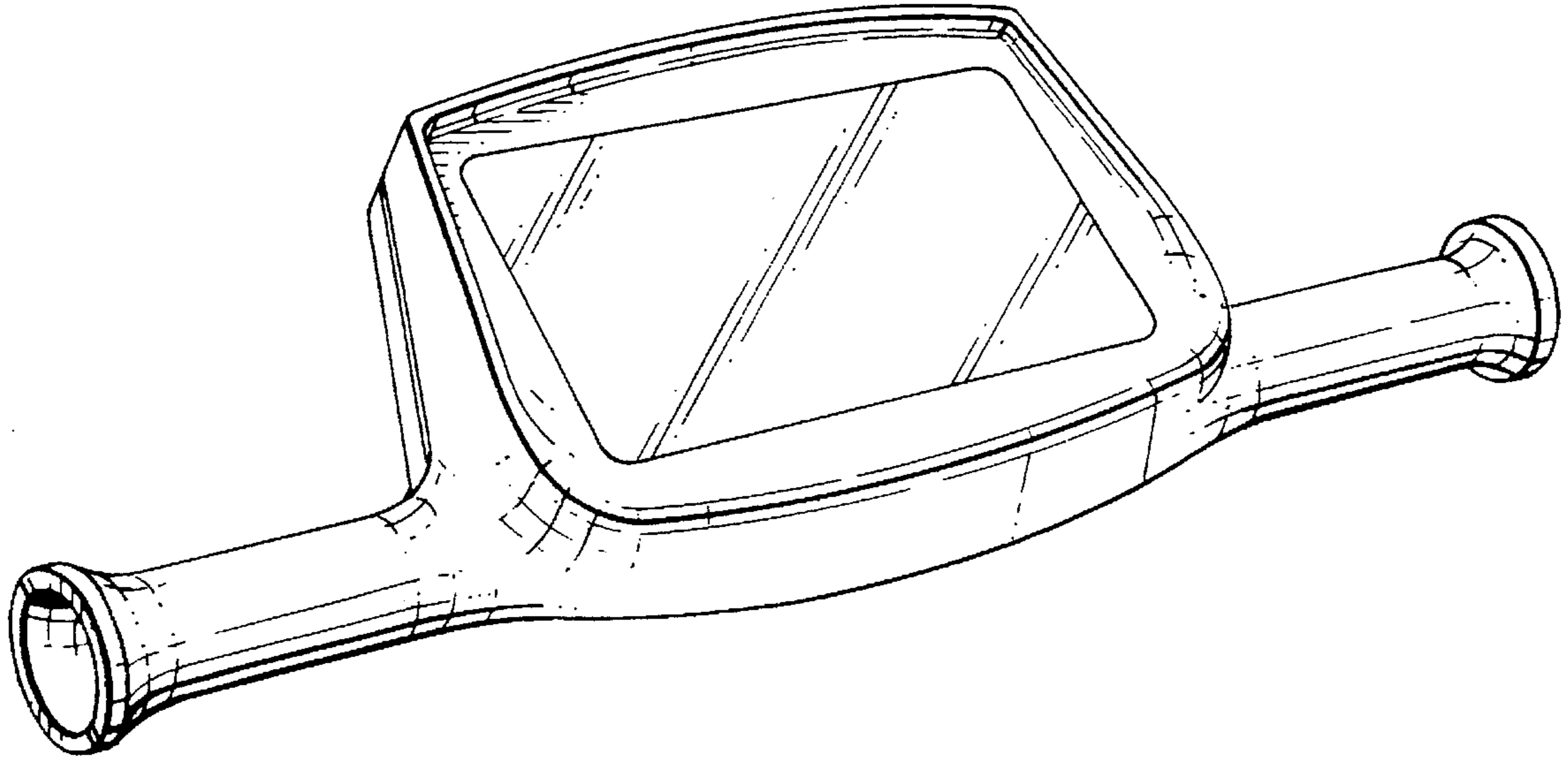


Fig.1.

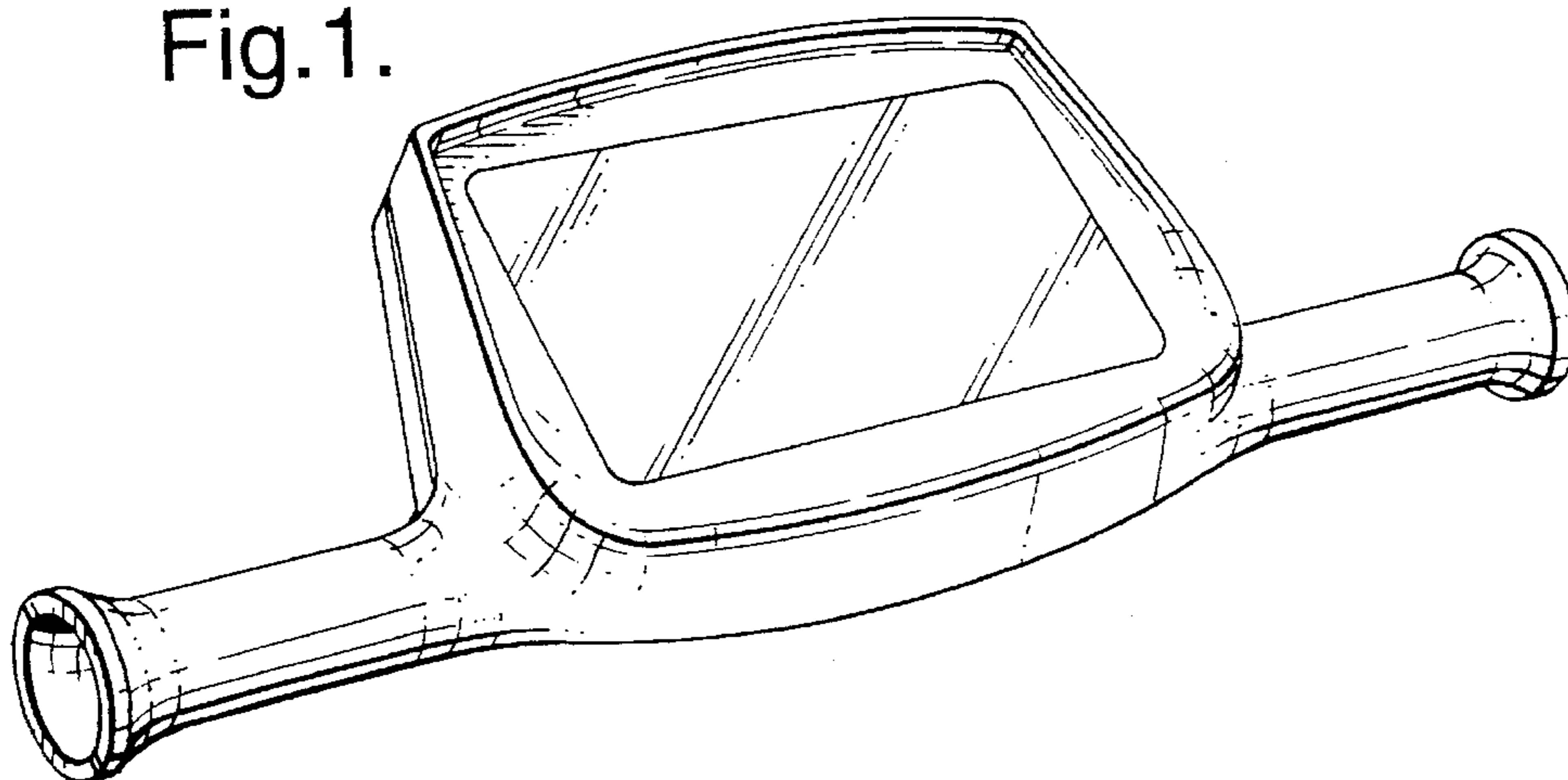


Fig.2.

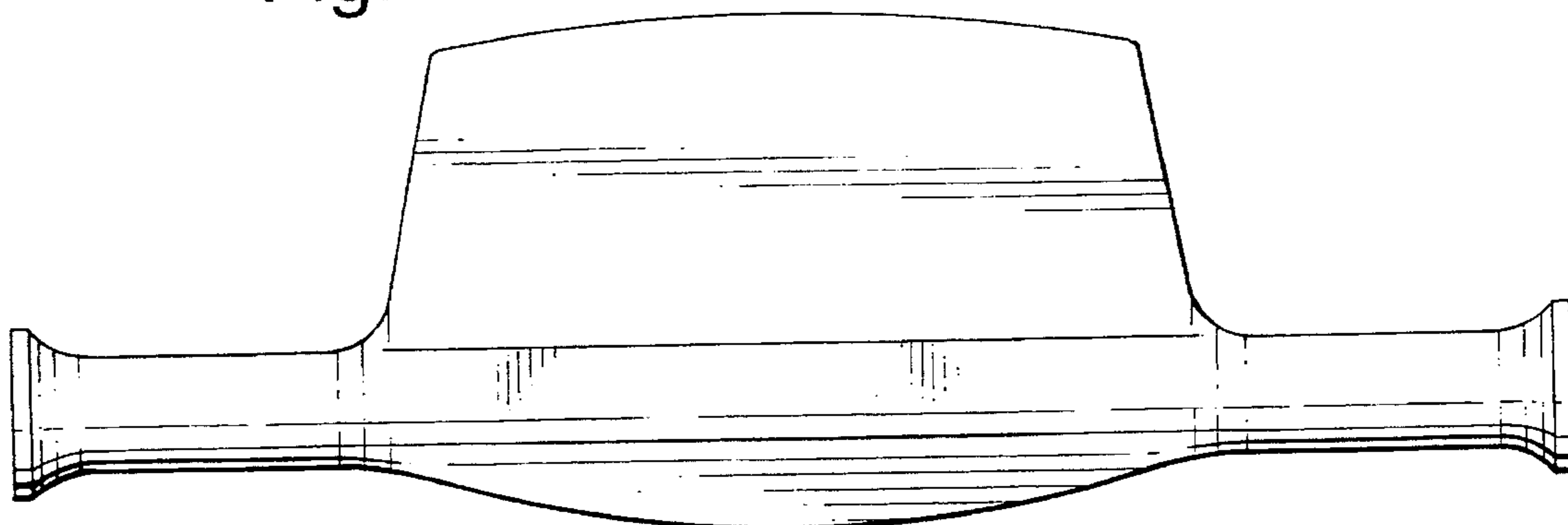


Fig.3.

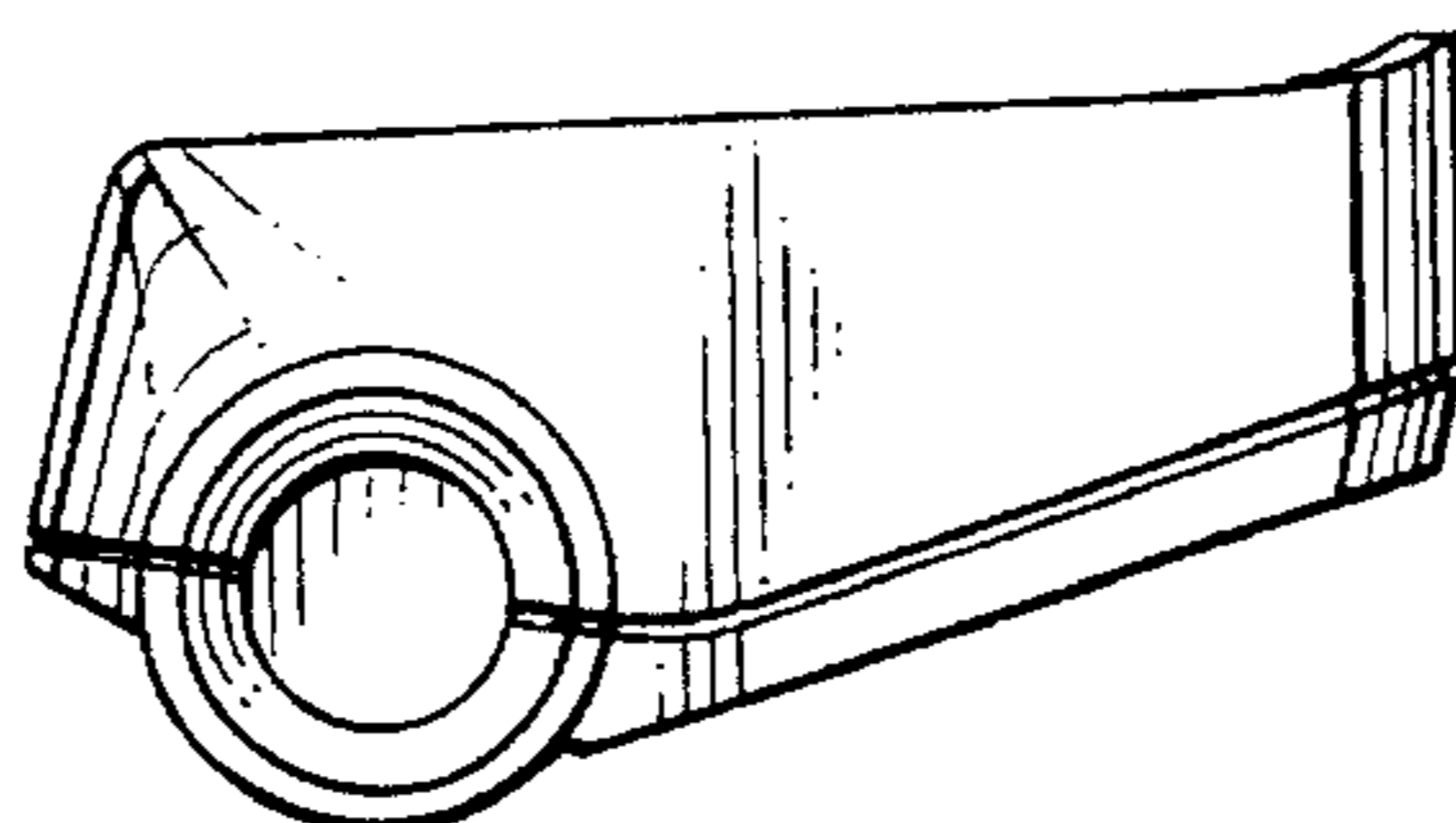


Fig.4.

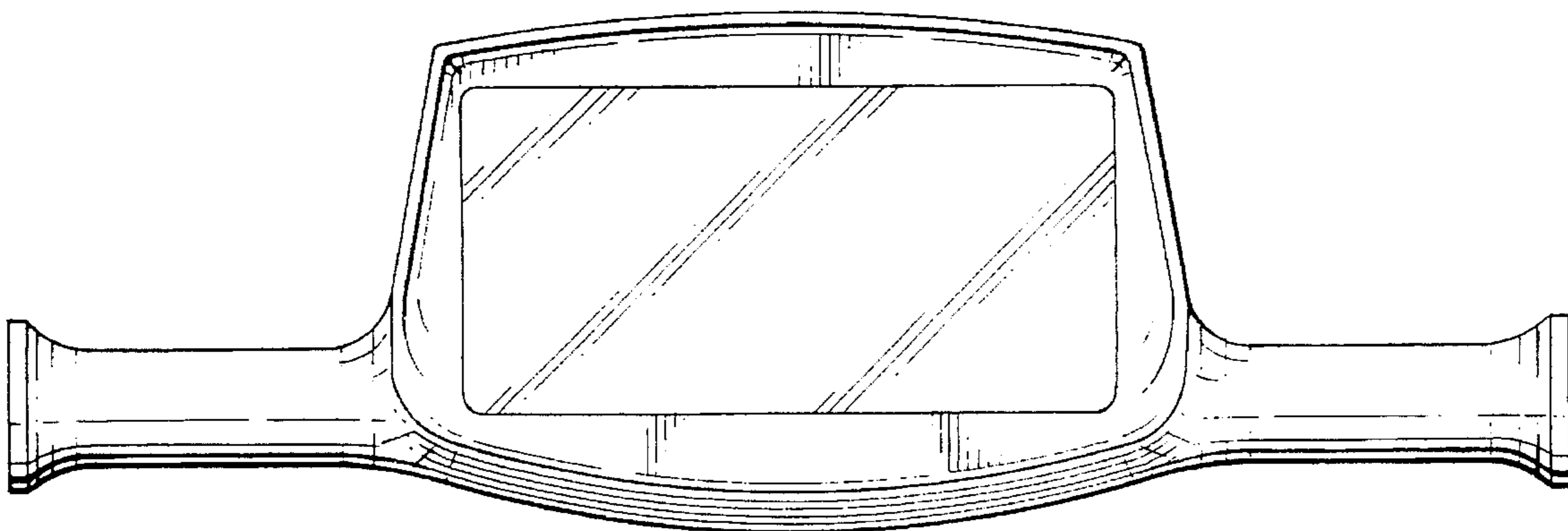


Fig.5.

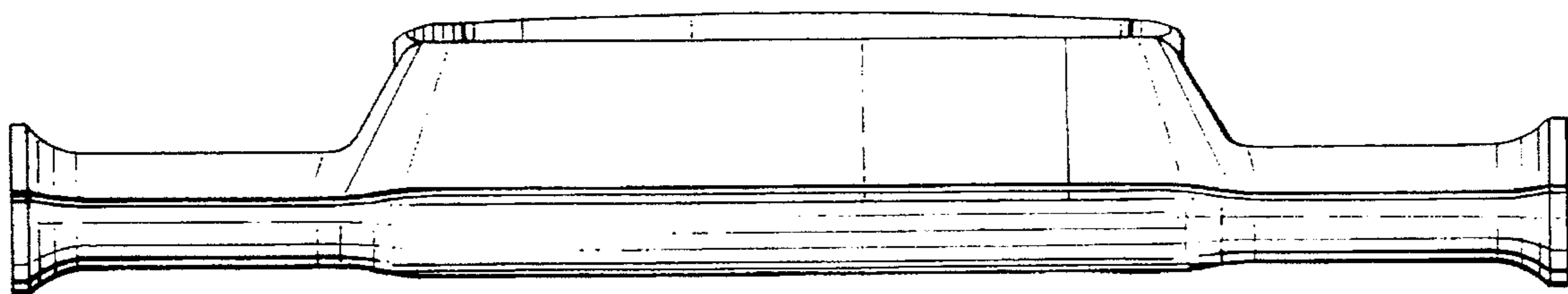


Fig.6.

