



US00D376458S

United States Patent [19]

Hirano et al.

[11] Patent Number: **Des. 376,458**

[45] Date of Patent: ****Dec. 10, 1996**

[54] **STRUCTURAL PIPE**

2,990,203 6/1961 Grover et al. D25/122
5,456,048 10/1995 White 403/174

[75] Inventors: **Seiji Hirano; Shuji Yoshino**, both of Shizuoka, Japan

Primary Examiner—Kay H. Chin
Attorney, Agent, or Firm—Eric P. Schellin

[73] Assignee: **Yazaki Industrial Chemical Co., Ltd.**, Shizuoka, Japan

[57] **CLAIM**

[**] Term: **14 Years**

The ornamental design for a structural pipe, as shown and described.

[21] Appl. No.: **41,568**

DESCRIPTION

[22] Filed: **Jul. 18, 1995**

[52] U.S. Cl. **D34/27; D25/122; D25/61; D23/266**

[58] **Field of Search** D34/27; 280/33, 280/992; D23/266; D25/122, 124, 119, 164, 61; 403/174, 191, 245, 272; 52/81.2, 664, 731.3; 138/157

FIG. 1 is a top, front, right side perspective view of a structural pipe showing our new design;
FIG. 2 is a front elevational view;
FIG. 3 is a right side elevational view;
FIG. 4 is a top plan view;
FIG. 5 is a cross sectional view taken on line V—V of FIG. 2; and,
FIG. 6 is a reduced perspective view, the broken line showing of pipes, wires, plates and wheels, the full line showing of the structural pipes and additional structural pipes being for illustrative purposes only.

[56] References Cited

U.S. PATENT DOCUMENTS

210,076 9/1891 Milliken D23/266
2,980,215 4/1961 Englund D25/122

1 Claim, 3 Drawing Sheets

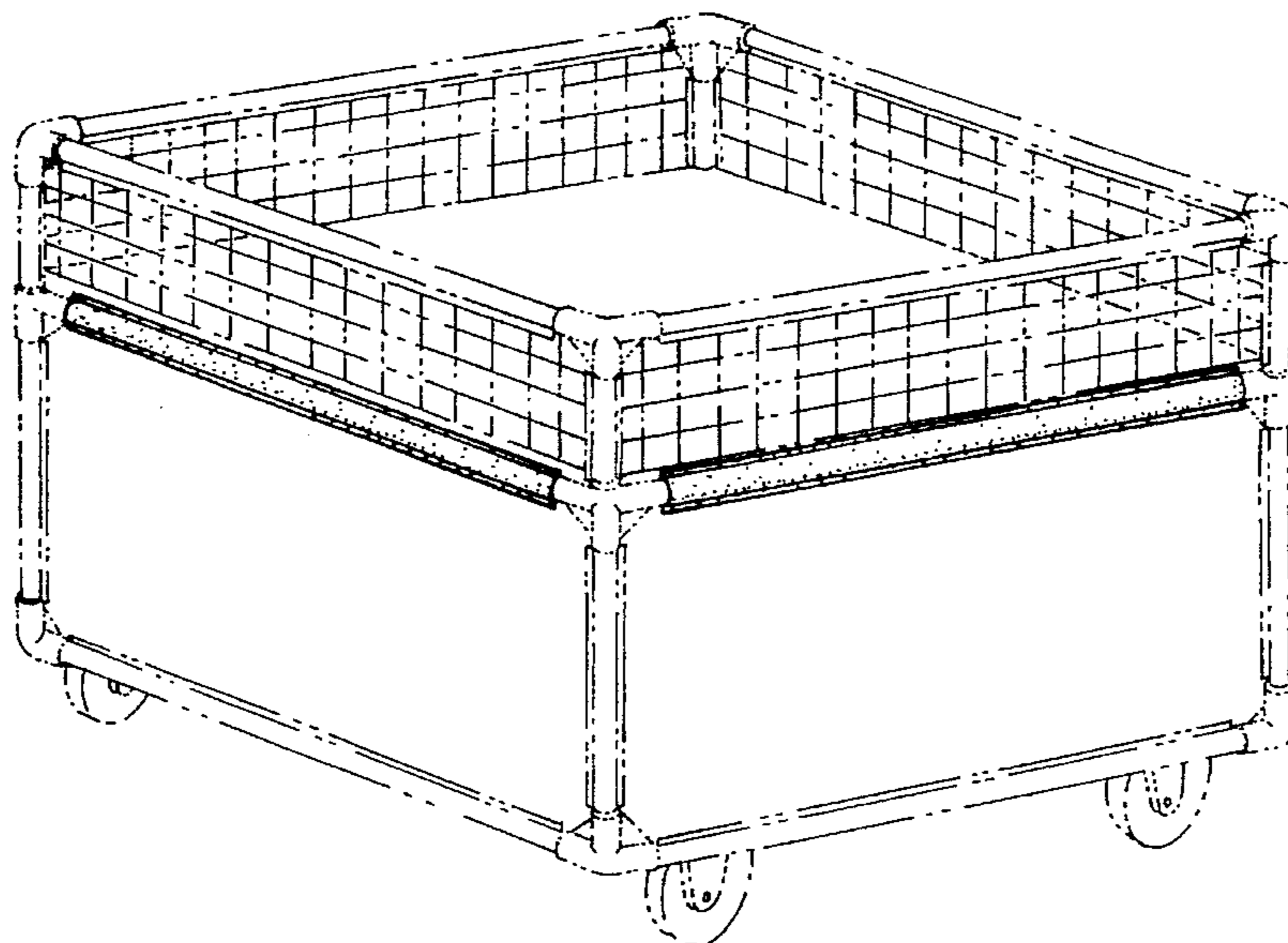
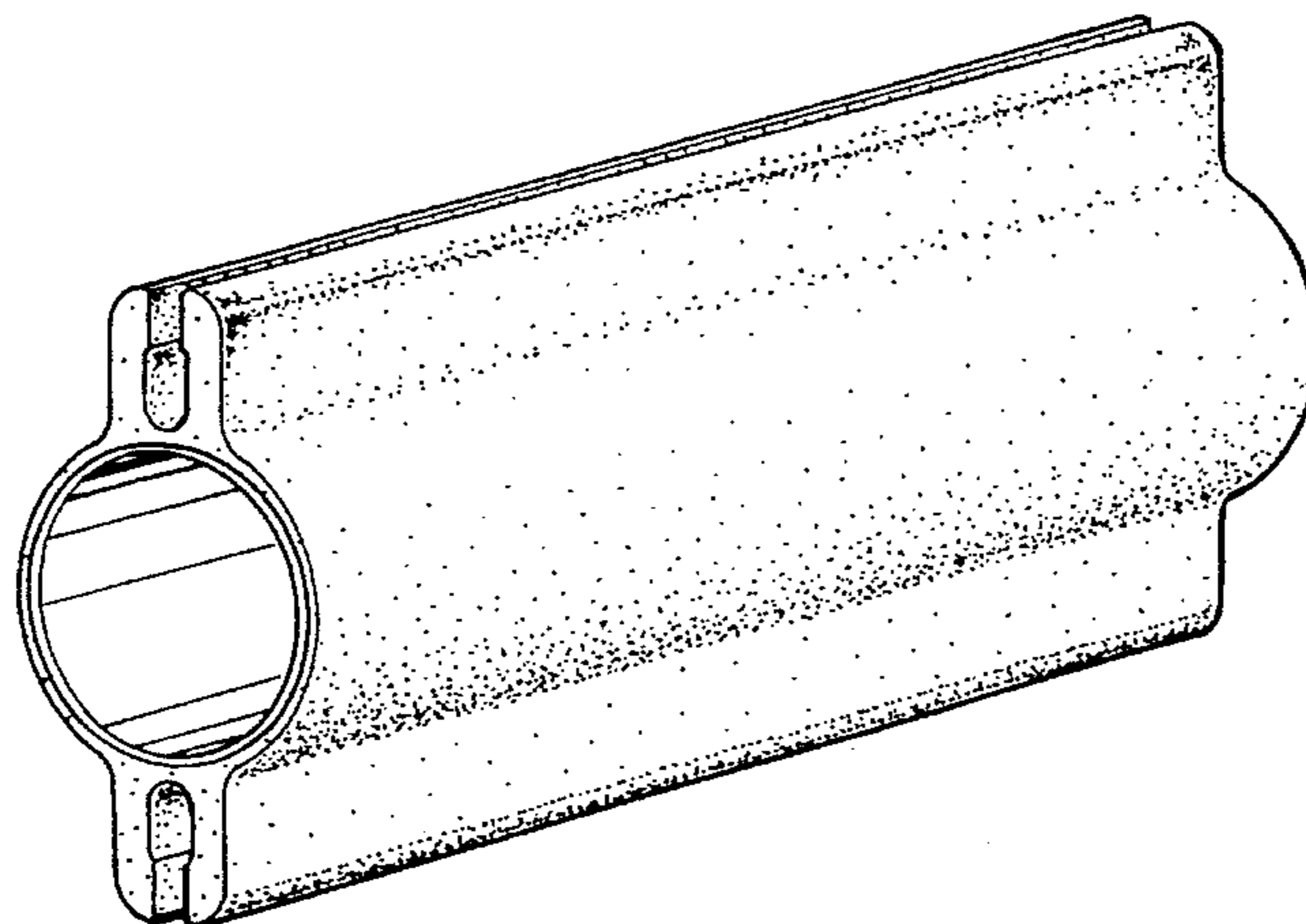


FIG. 1

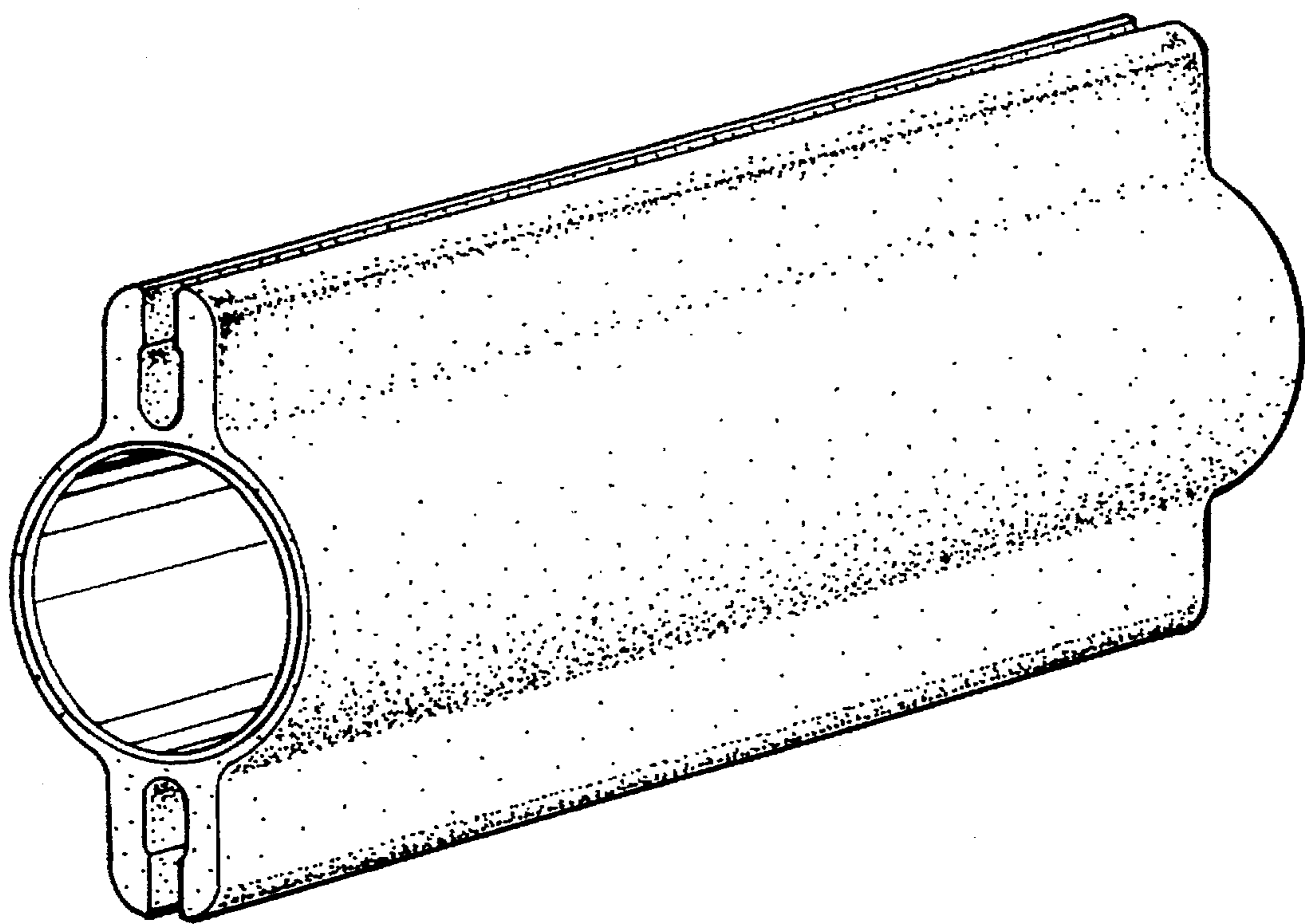


FIG. 2

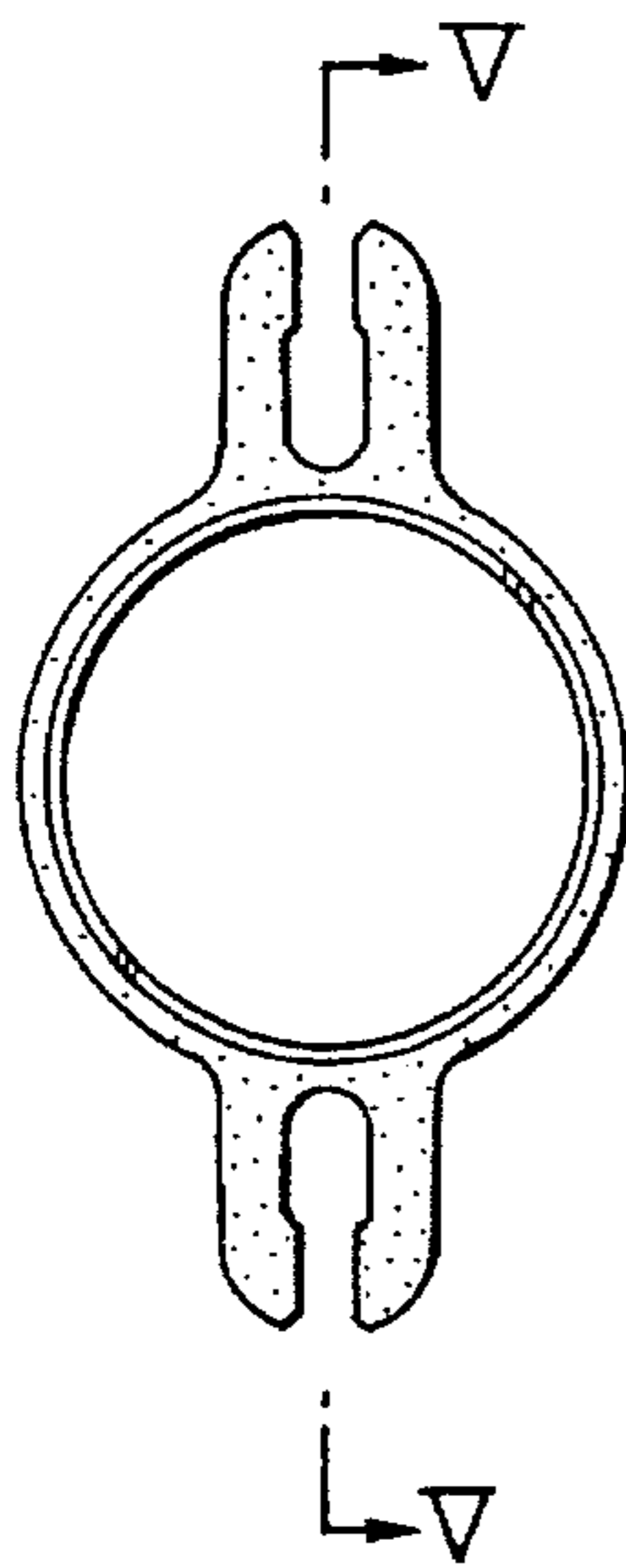


FIG. 3

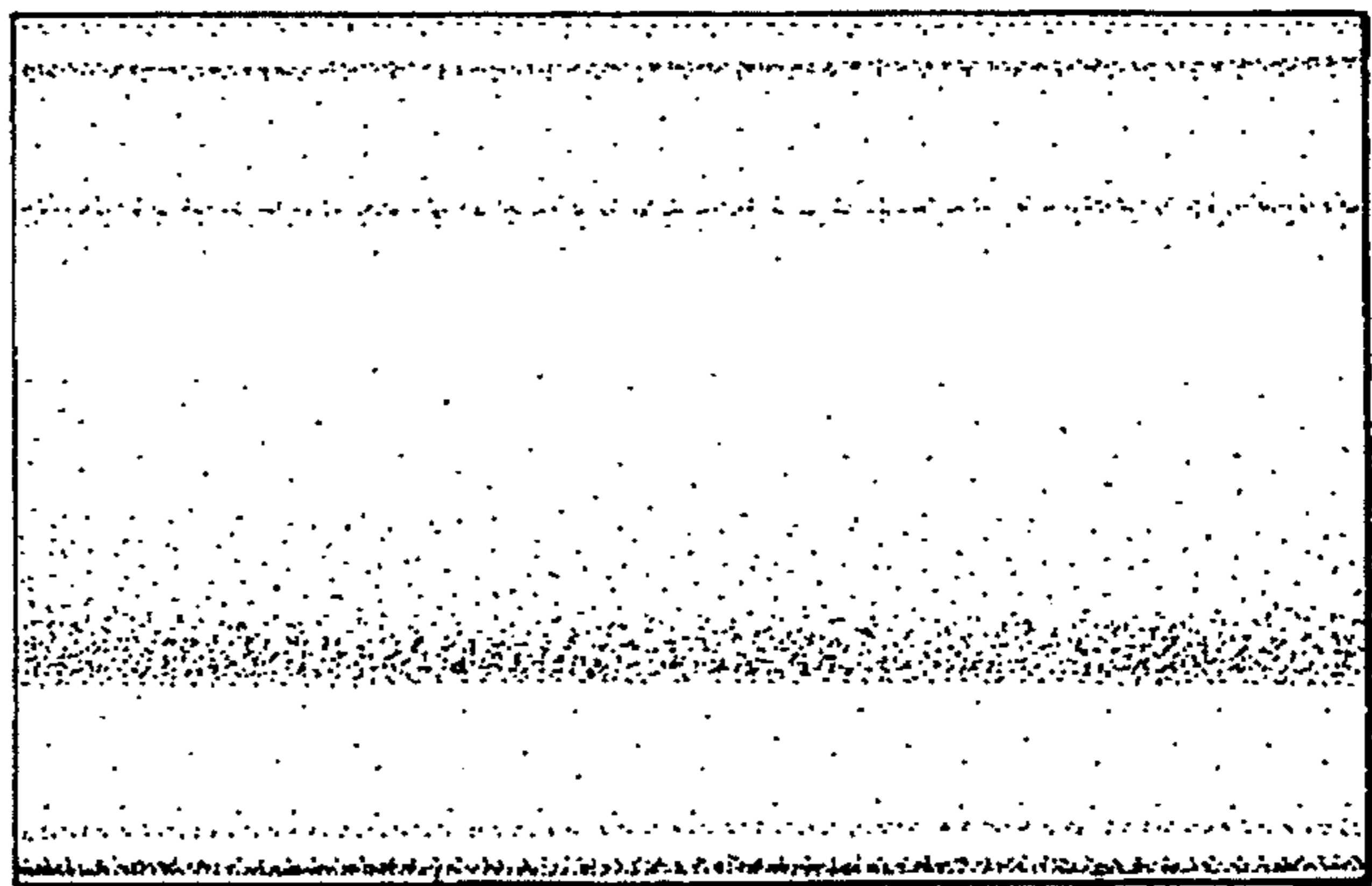


FIG. 4

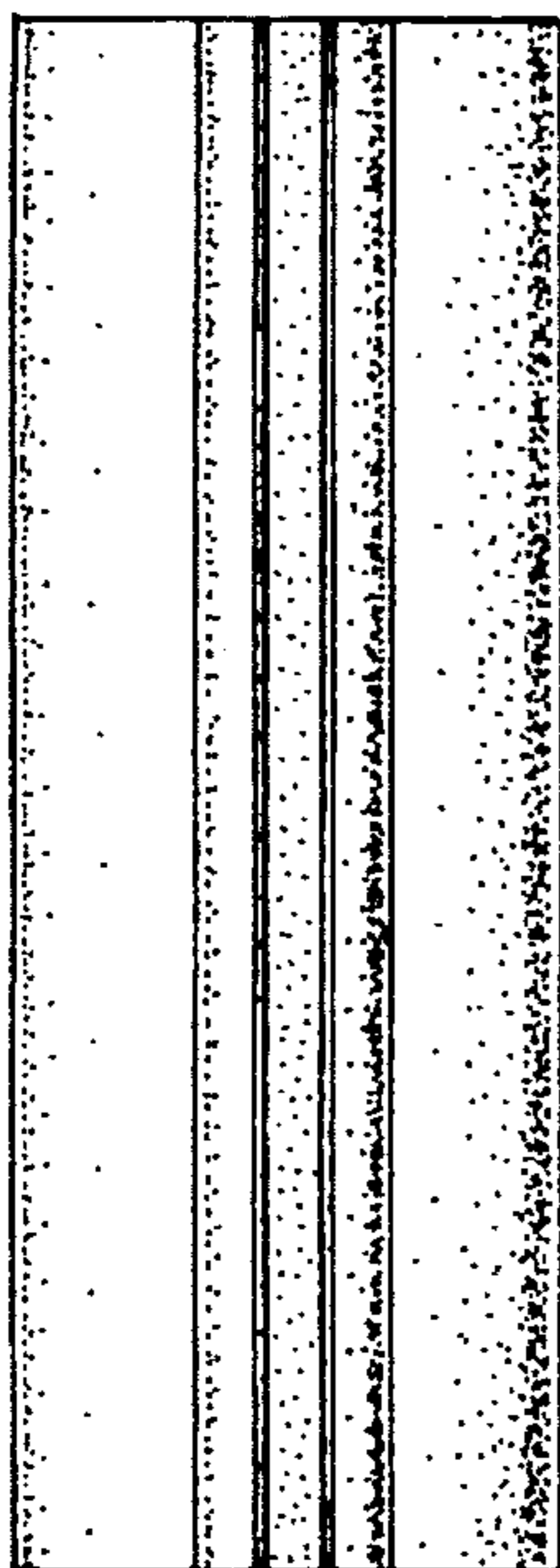


FIG. 5

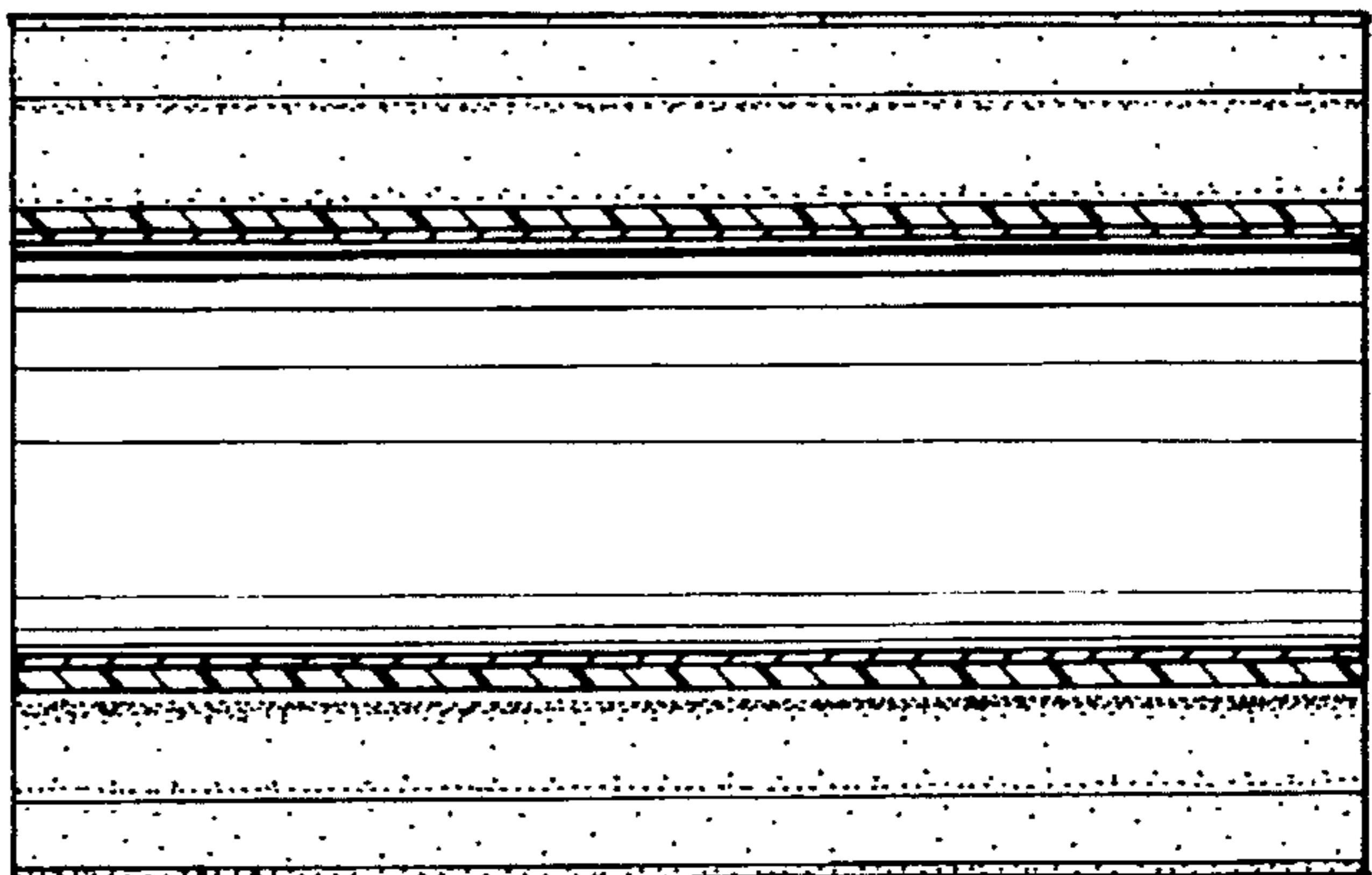


FIG. 6

