



US00D376454S

United States Patent [19]

[11] Patent Number: **Des. 376,454**

Fierek et al.

[45] Date of Patent: ****Dec. 10, 1996**

[54] **TOLL ORGANIZER**

5,174,447 12/1992 Fleming 206/373

[75] Inventors: **David P. Fierek; Robert W. Fierek,**
both of Duluth, Minn.

OTHER PUBLICATIONS

The Sportsman's Guide, Handyman's Rolodex, Jun. 1992,
p. 88.

[73] Assignee: **Fiskars Inc.,** Madison, Wis.

Primary Examiner—Doris V. Coles
Assistant Examiner—Catherine R. Oliver
Attorney, Agent, or Firm—Foley & Lardner

[**] Term: **14 Years**

[21] Appl. No.: **29,938**

[57] CLAIM

[22] Filed: **Oct. 19, 1994**

The ornamental design for a tool organizer, as shown and
described.

[52] U.S. Cl. **D32/54**

[58] Field of Search D3/232, 303, 315,
D3/905; D12/425; 206/349, 373, 374, 375,
376, 377, 372

DESCRIPTION

[56] References Cited

U.S. PATENT DOCUMENTS

D. 222,951	2/1972	Stringer	D12/425
D. 290,064	6/1987	Whitaker	D3/303
2,533,725	12/1950	Eisenberg	211/63
2,778,398	1/1957	Edwards	220/632
2,899,997	8/1959	Rauen	383/39
3,397,804	8/1968	Davis	220/506
4,356,854	11/1982	McGee	150/12
4,765,472	8/1988	Dent	206/373
4,993,551	2/1991	Lindsay	206/373

FIG. 1 is a perspective view of the tool organizer showing
our new design;
FIG. 2 is a front elevational view thereof in a position of non
use;
FIG. 3 is a rear elevational view thereof in a position of non
use; and,
FIG. 4 is an enlarged top plan view thereof.
The broken line showing of a bucket and tools is for
illustrative purposes only and forms no part of the claimed
design.

1 Claim, 3 Drawing Sheets

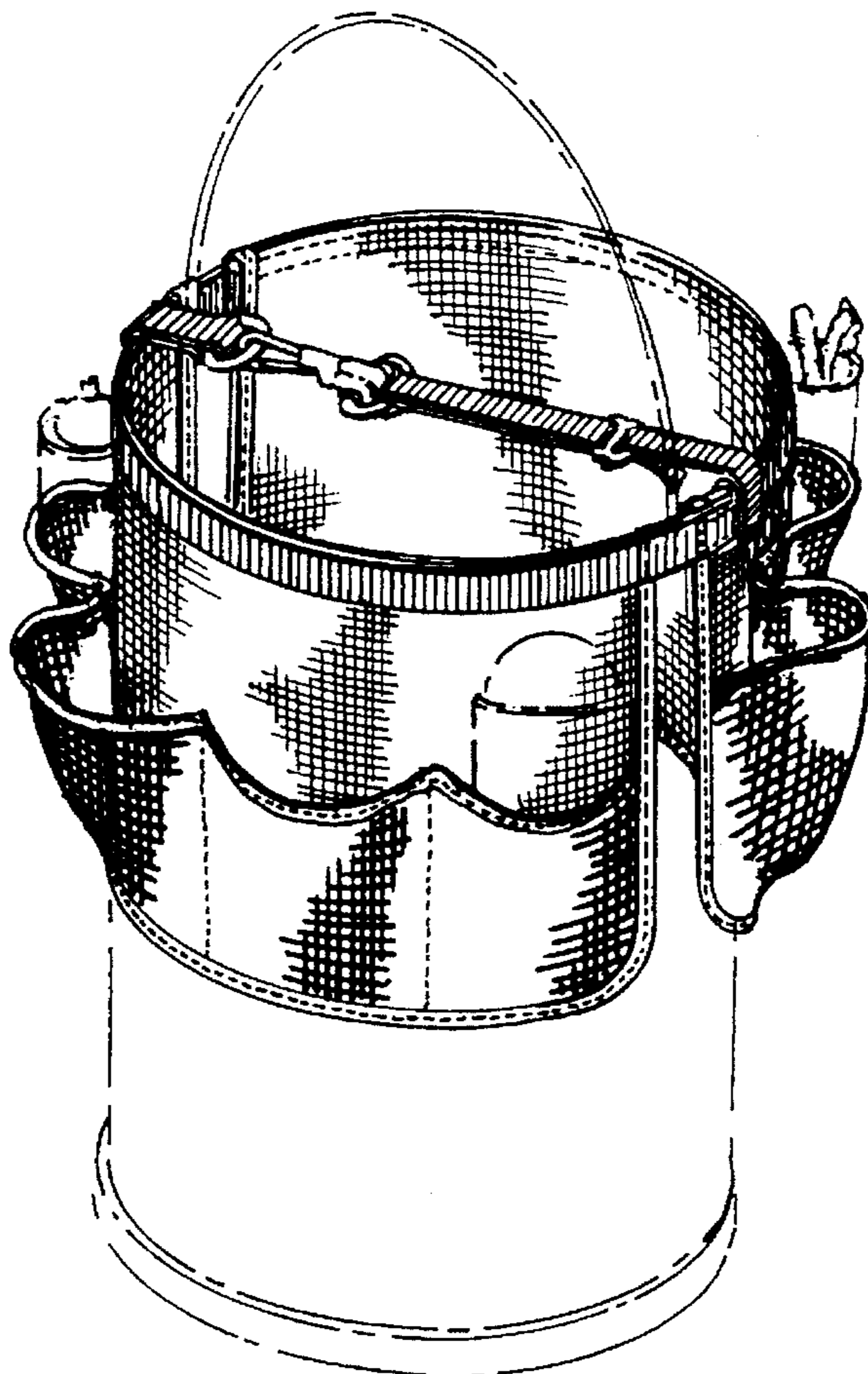


FIG. 1

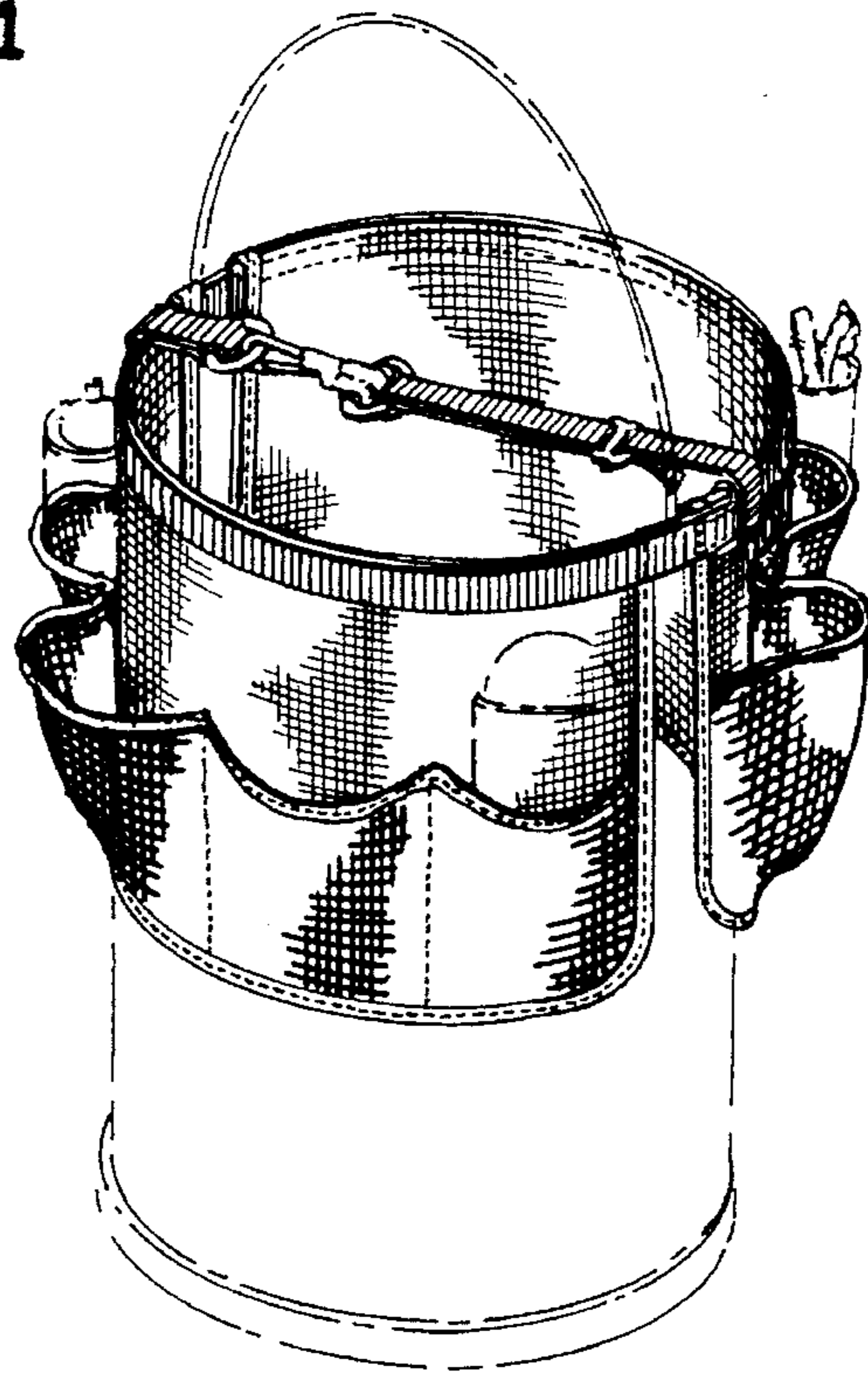


FIG. 2

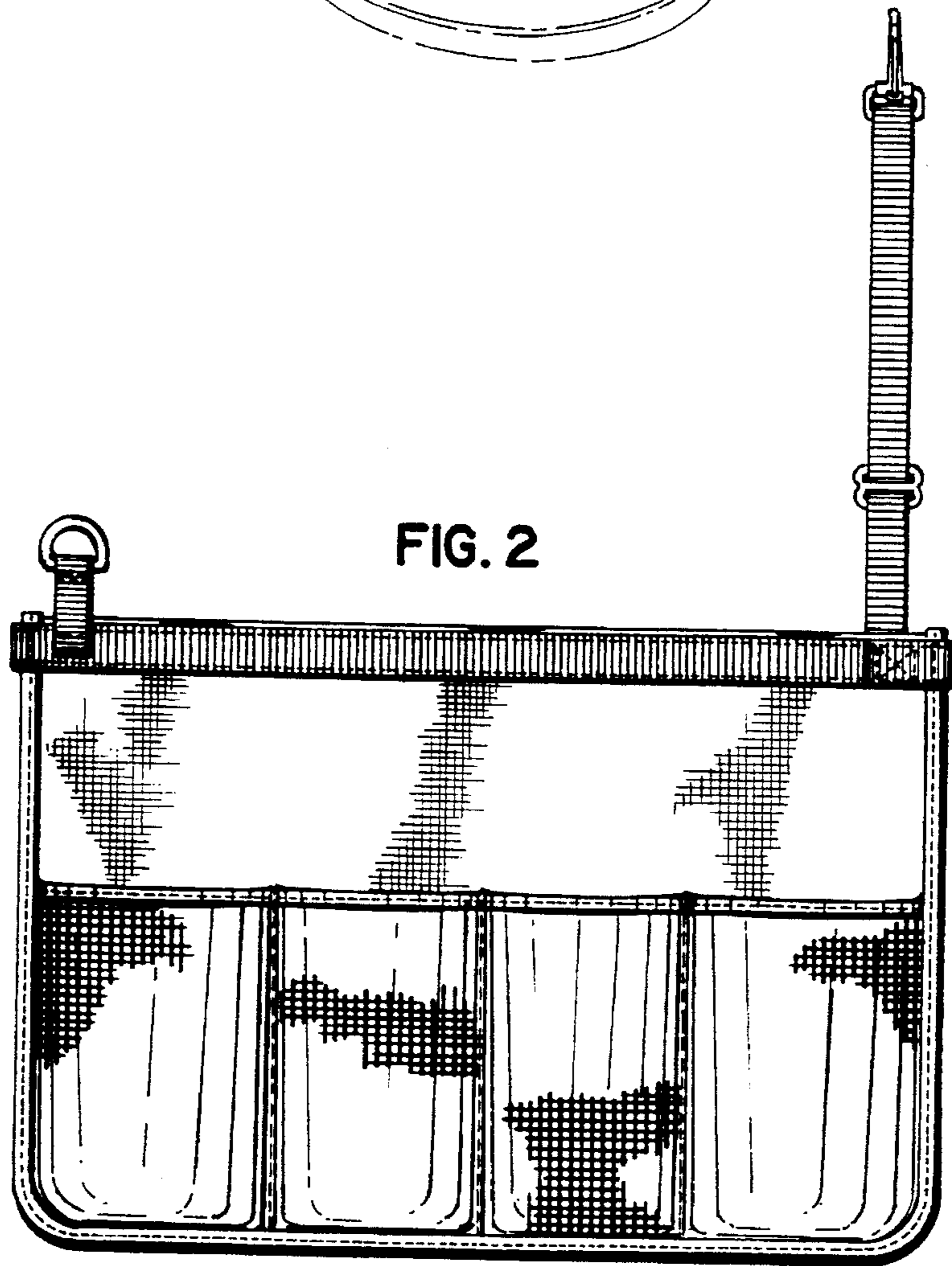
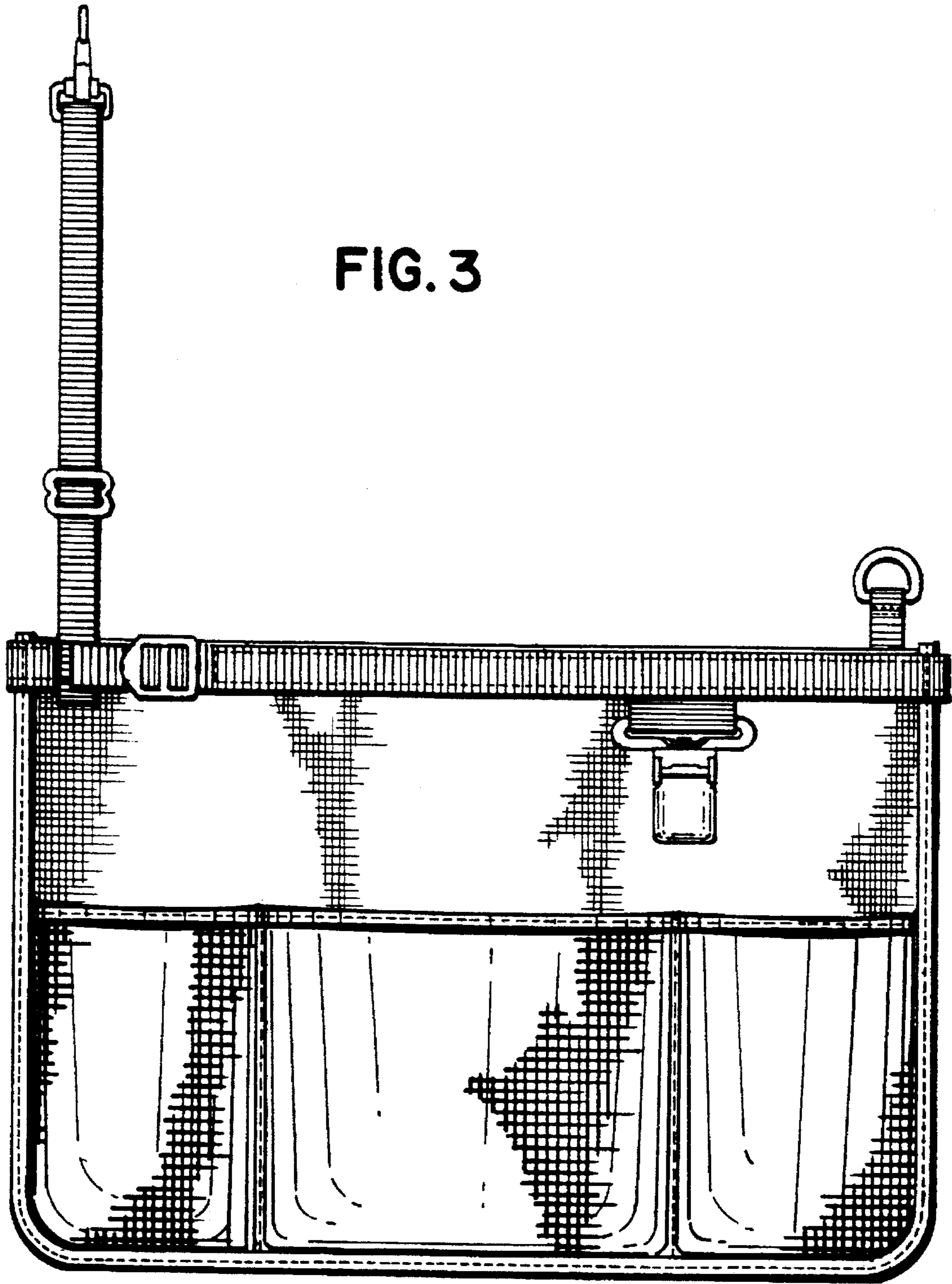


FIG. 3



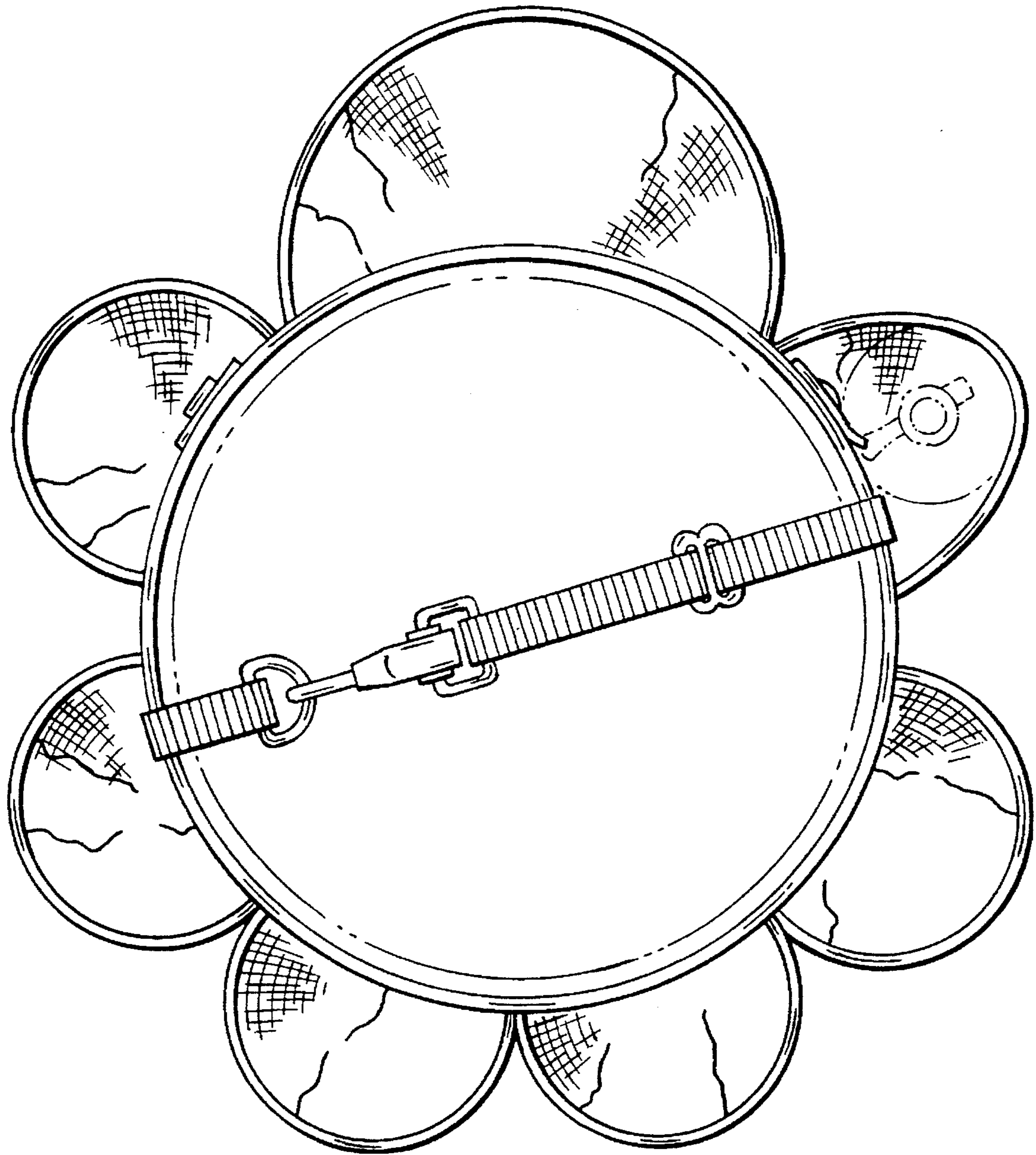


FIG. 4

UNITED STATES PATENT AND TRADEMARK OFFICE
CERTIFICATE OF CORRECTION

PATENT NO. : D376,454

DATED : December 10, 1996

INVENTOR(S) : FIEREK, David P; and FIEREK, Robert, W.

It is certified that error appears in the above-identified patent and that said Letters Patent is hereby corrected as shown below:

On the Title Page, Item [54]:

delete "TOLL ORGANIZER" and substitute therefor --TOOL ORGANIZER--.

Signed and Sealed this
First Day of April, 1997



BRUCE LEHMAN

Commissioner of Patents and Trademarks

Attest:

Attesting Officer