



US00D376453S

# United States Patent [19]

[11] Patent Number: **Des. 376,453**

Park

[45] Date of Patent: **\*\*Dec. 10, 1996**

[54] **COMBINED DOLLY AND PAIL**

*Primary Examiner*—A. Hugo Word  
*Assistant Examiner*—Robin V. Taylor

[76] Inventor: **Heung H. Park**, 2922 Buckhaven Rd.,  
Chino Hills, Calif. 91709

[57] **CLAIM**

[\*\*] Term: **14 Years**

The ornamental design for a combined dolly and pail, as shown and described.

[21] Appl. No.: **22,778**

### DESCRIPTION

[22] Filed: **May 11, 1994**

[52] U.S. Cl. .... **D32/53**

[58] Field of Search ..... D32/53, 53.1,  
D32/54; D34/14, 19, 21, 23, 24; 248/125,  
127, 128, 129; 280/79.4, 79.5

FIG. 1 is a perspective view of a combined dolly and pail, showing my new design;

FIG. 2 is an exploded perspective view thereof;

FIG. 3 is a bottom perspective view of the pail, shown separately for clarity of illustration only;

FIG. 4 is a bottom perspective view of the dolly, shown separately for clarity of illustration only;

FIG. 5 is a side elevational view thereof, the other sides being identical; and,

FIG. 6 is a top plan view thereof.

### [56] References Cited

#### U.S. PATENT DOCUMENTS

D. 328,172	7/1992	Juergens	.....	D34/23
514,945	2/1894	Lockman	.....	248/129
1,328,458	1/1920	Schiek	.....	248/129
2,531,131	11/1950	Johnson	.....	280/79.5
2,665,922	1/1954	Bard	.....	248/129

**1 Claim, 6 Drawing Sheets**

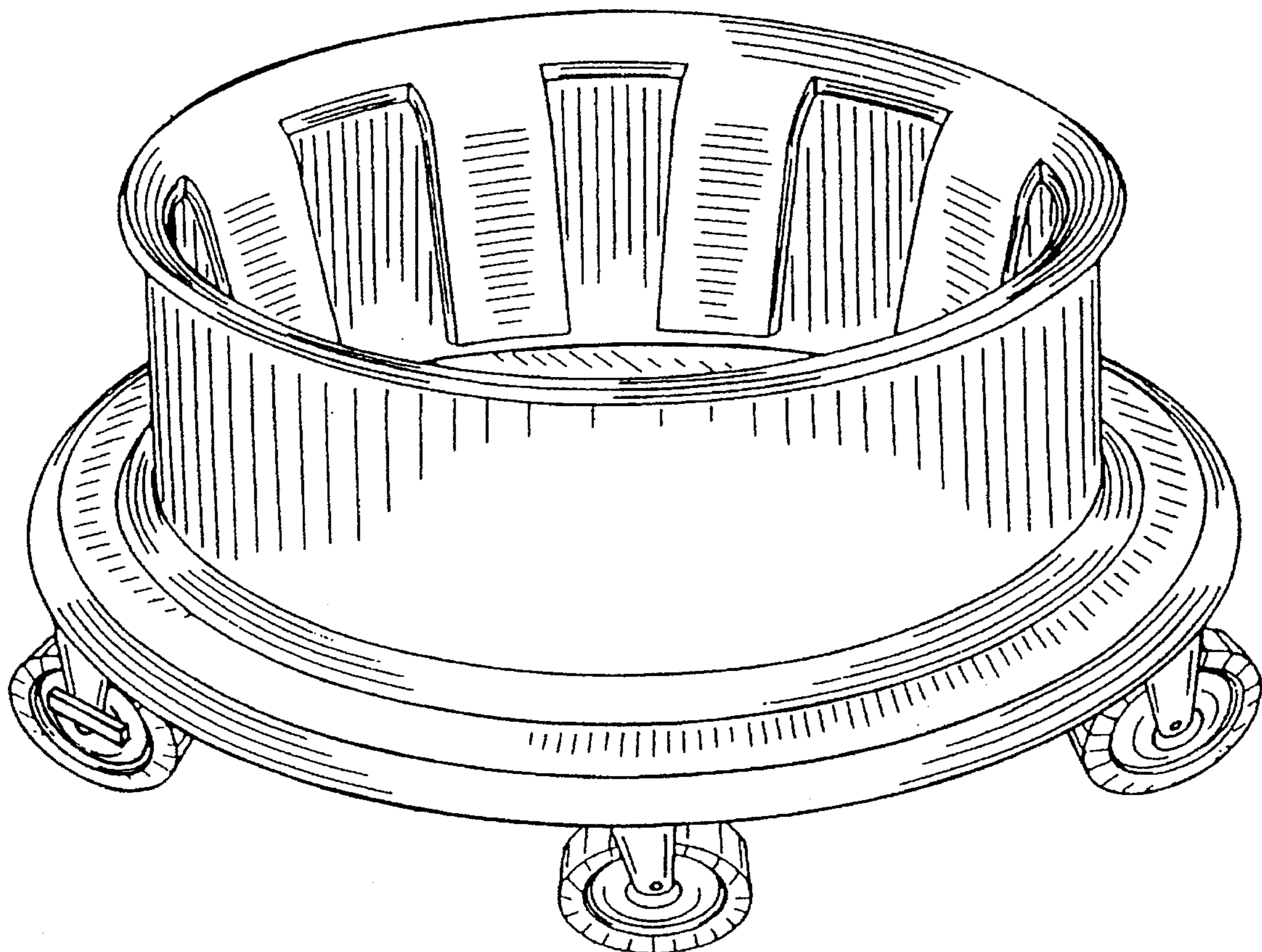


Fig. 1

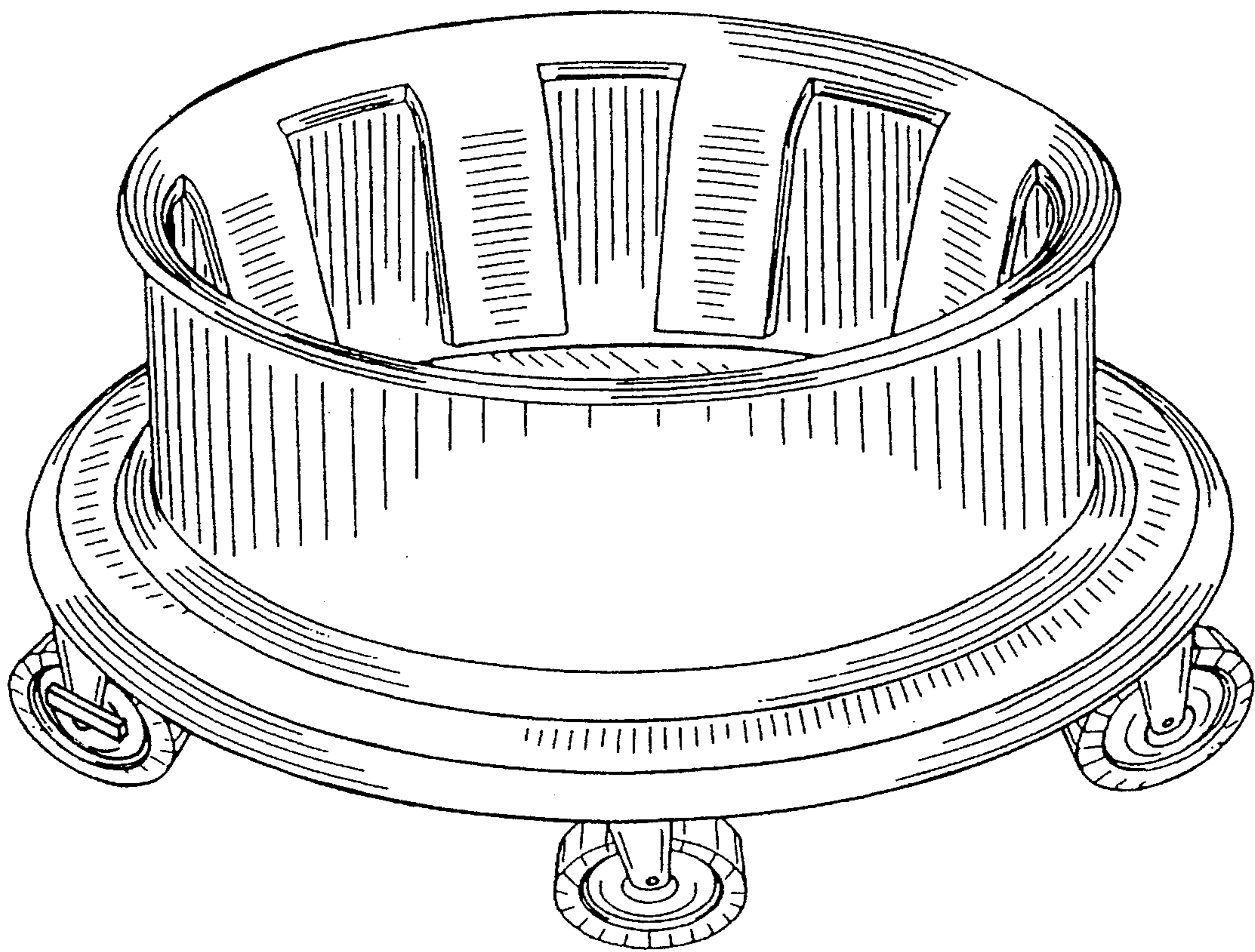


Fig. 2

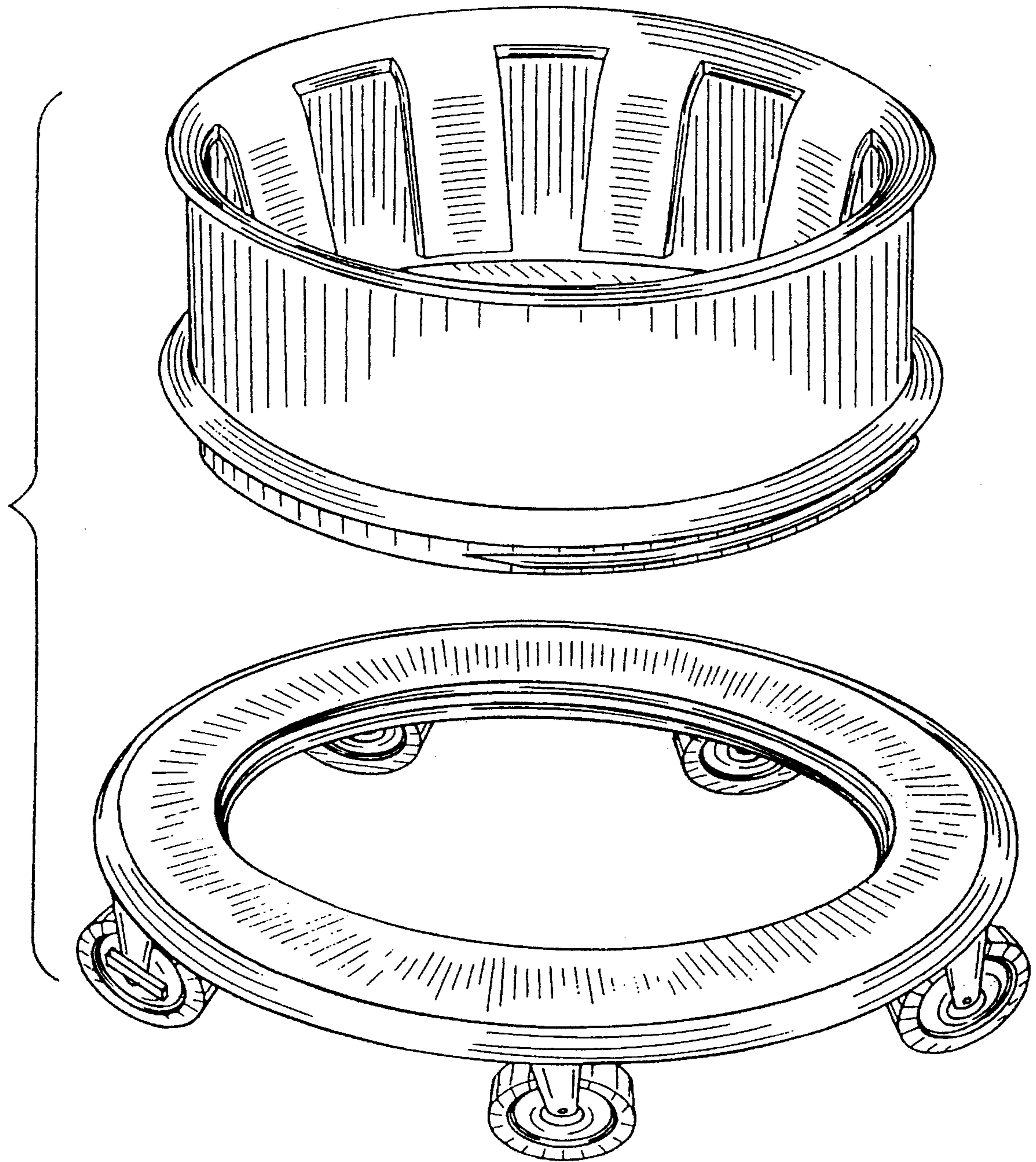


Fig. 3

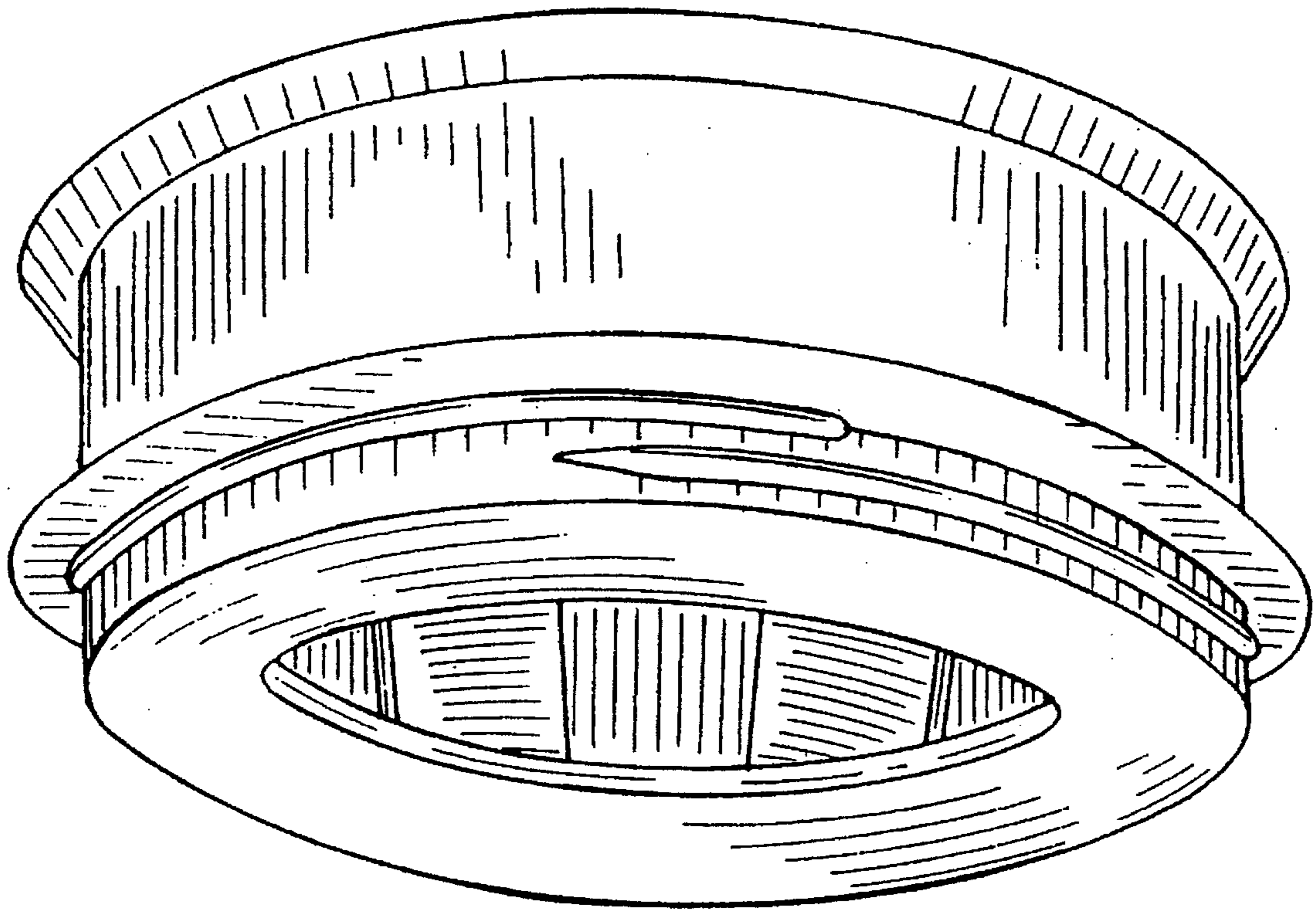


Fig. 4

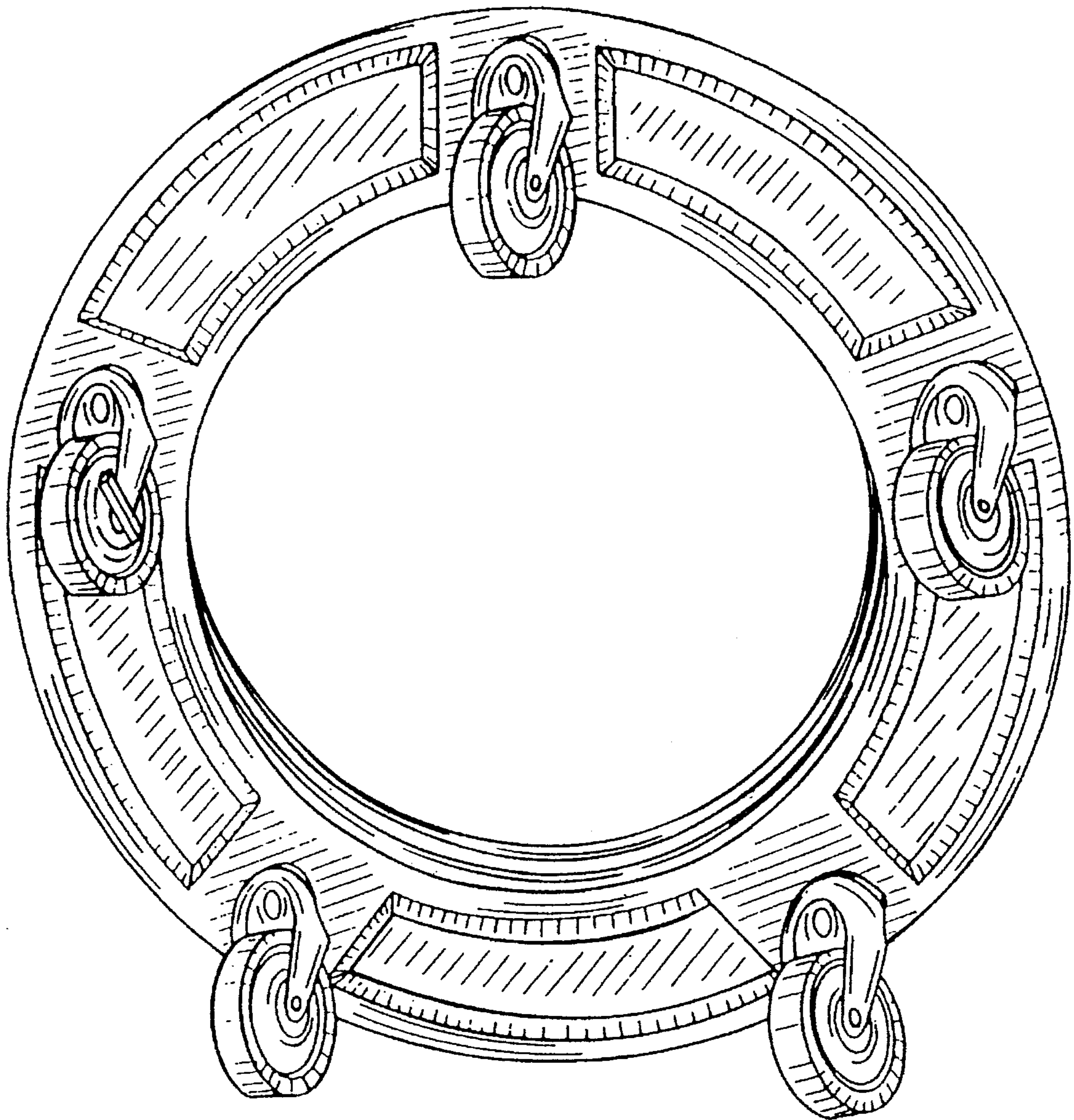


Fig. 5

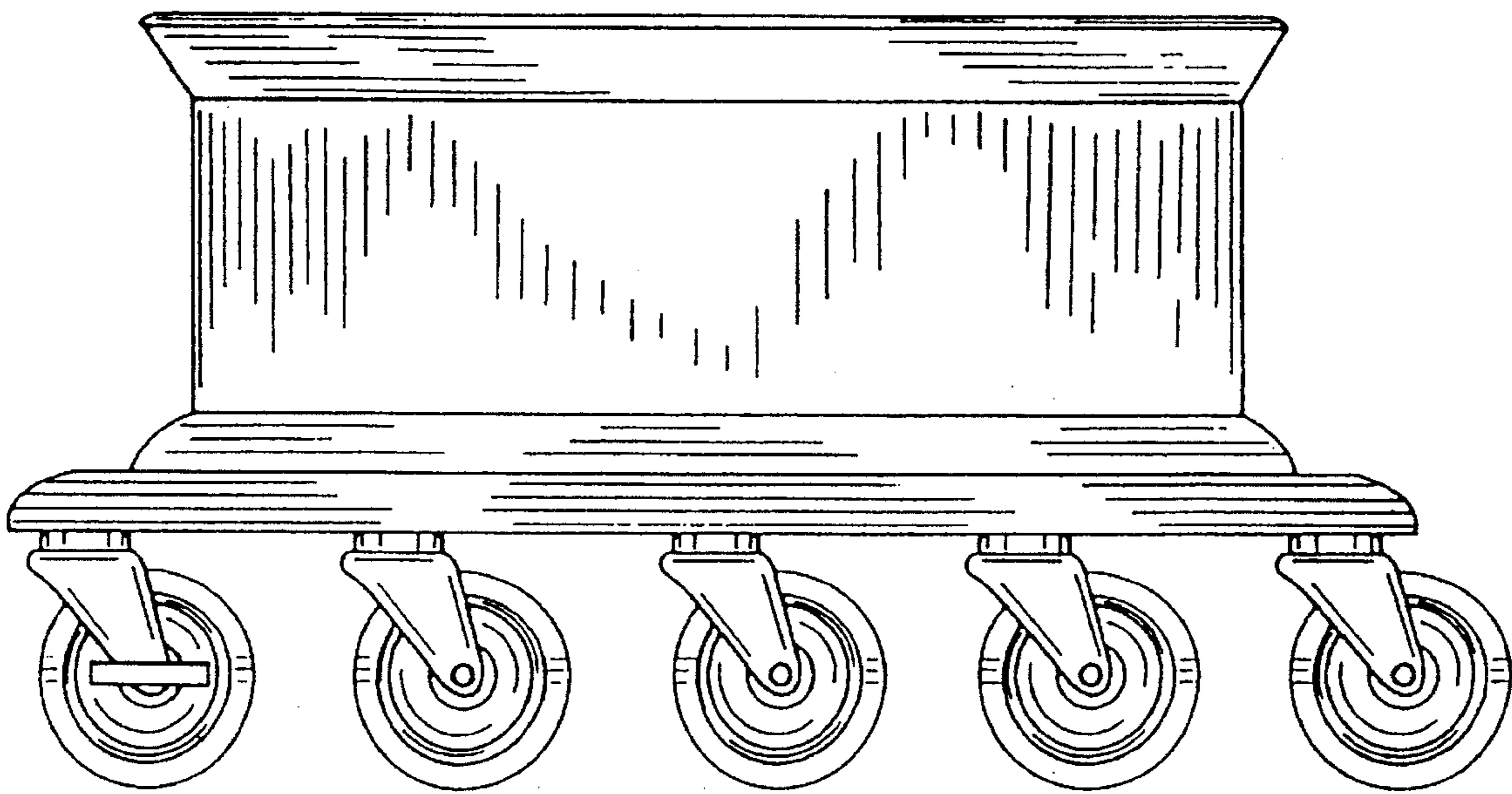


Fig. 6

