



US00D376450S

# United States Patent [19]

Campbell et al.

[11] Patent Number: **Des. 376,450**

[45] Date of Patent: **\*\*Dec. 10, 1996**

[54] **SWIMMING POOL CLEANER**

[75] Inventors: **Sanford F. Campbell; Robert E. Jones**, both of Redding, Calif.

[73] Assignee: **Letro Products, Inc.**, Redding, Calif.

[\*\*] Term: **14 Years**

[21] Appl. No.: **22,929**

[22] Filed: **May 16, 1994**

[52] U.S. Cl. .... **D32/1**

[58] Field of Search ..... D32/1, 15, 21;  
15/1.7; 180/1 R, 7 J; 210/169, 416.2, 460;  
55/368, 370, 381

[56] **References Cited**

**U.S. PATENT DOCUMENTS**

D. 280,561	9/1985	Gard	.....	D32/1
D. 304,505	11/1989	Maier et al.	.....	D32/1
D. 325,452	4/1992	Geffer	.....	D32/1
D. 346,888	5/1994	Stone	.....	D32/1

D. 358,235	5/1995	Brooks et al.	.....	D32/1
4,618,420	10/1986	Alanis	.....	15/1.7
5,001,800	3/1991	Parenti et al.	.....	15/1.7
5,351,355	10/1994	Chiniara	.....	15/1.7

*Primary Examiner*—Ruth McInroy  
*Attorney, Agent, or Firm*—Pretty, Schroeder, Brueggemann & Clark

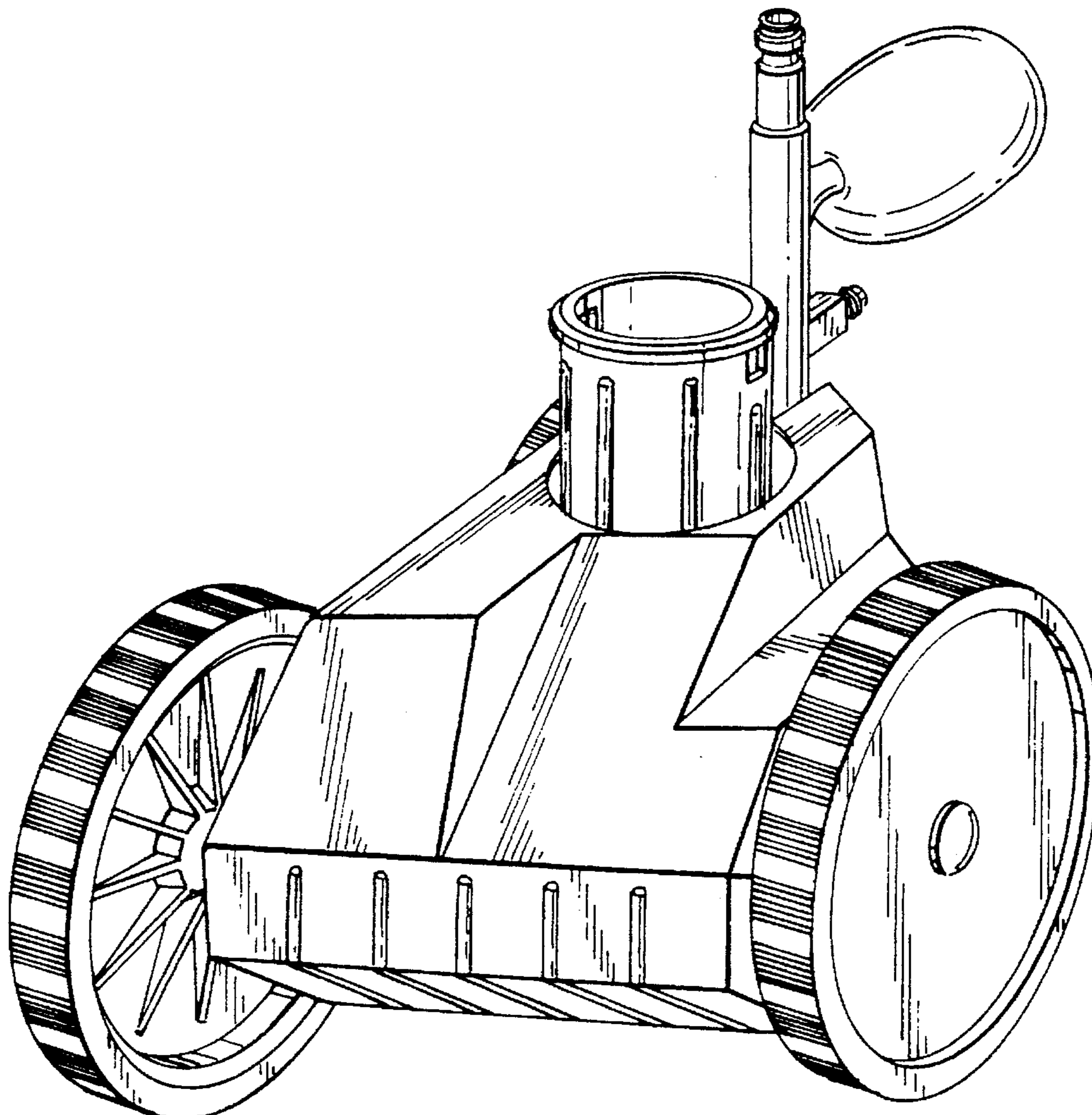
[57] **CLAIM**

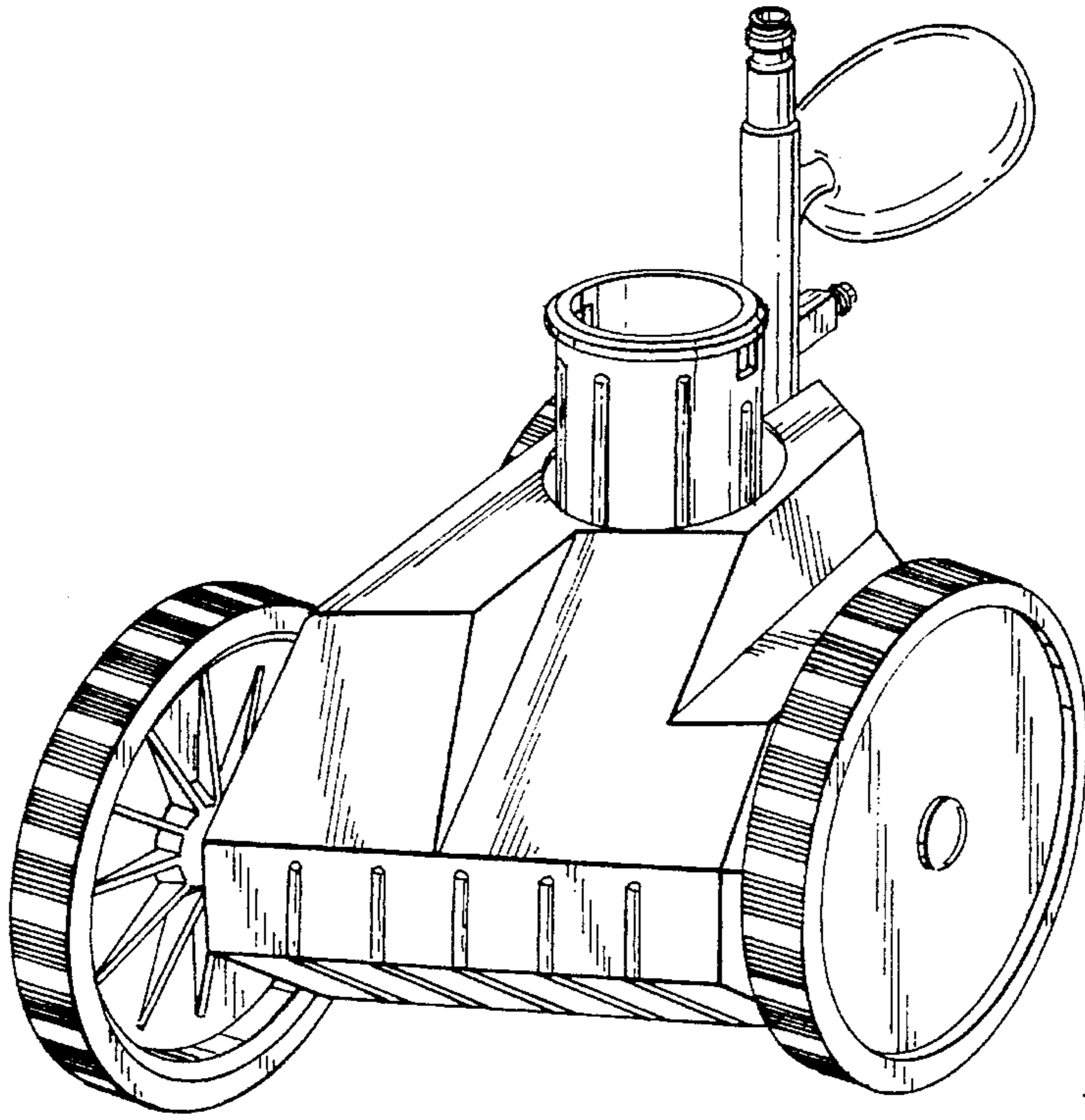
The ornamental design for a swimming pool cleaner, as shown and described.

**DESCRIPTION**

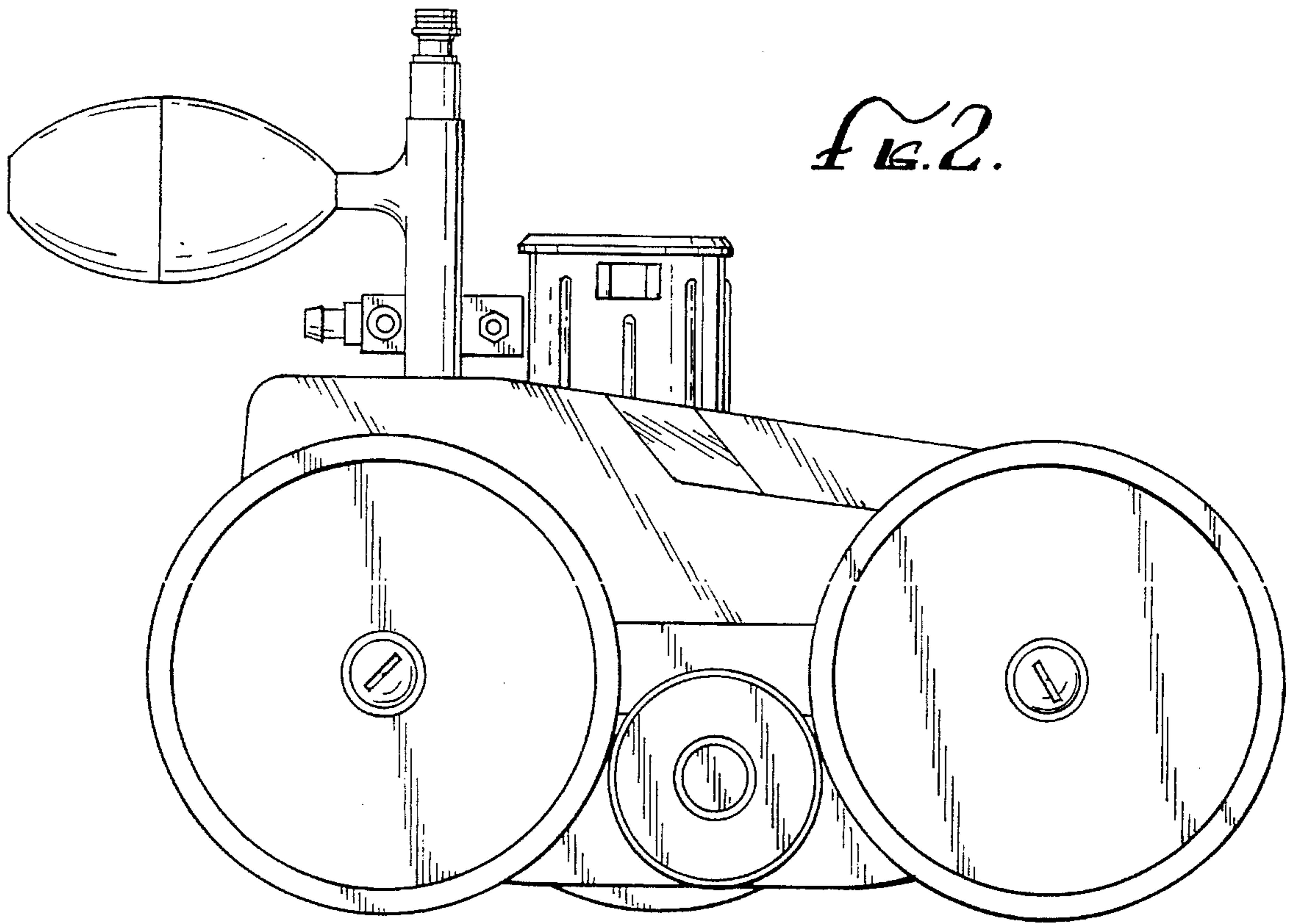
FIG. 1 is a front and left side perspective view of a swimming pool cleaner showing our new design; FIG. 2 is an enlarged right side elevational view thereof; FIG. 3 is an enlarged left side elevational view thereof; FIG. 4 is an enlarged front elevational view thereof; FIG. 5 is an enlarged rear elevational view thereof; FIG. 6 is an enlarged top plan view thereof; and, FIG. 7 is an enlarged bottom plan view thereof.

**1 Claim, 3 Drawing Sheets**



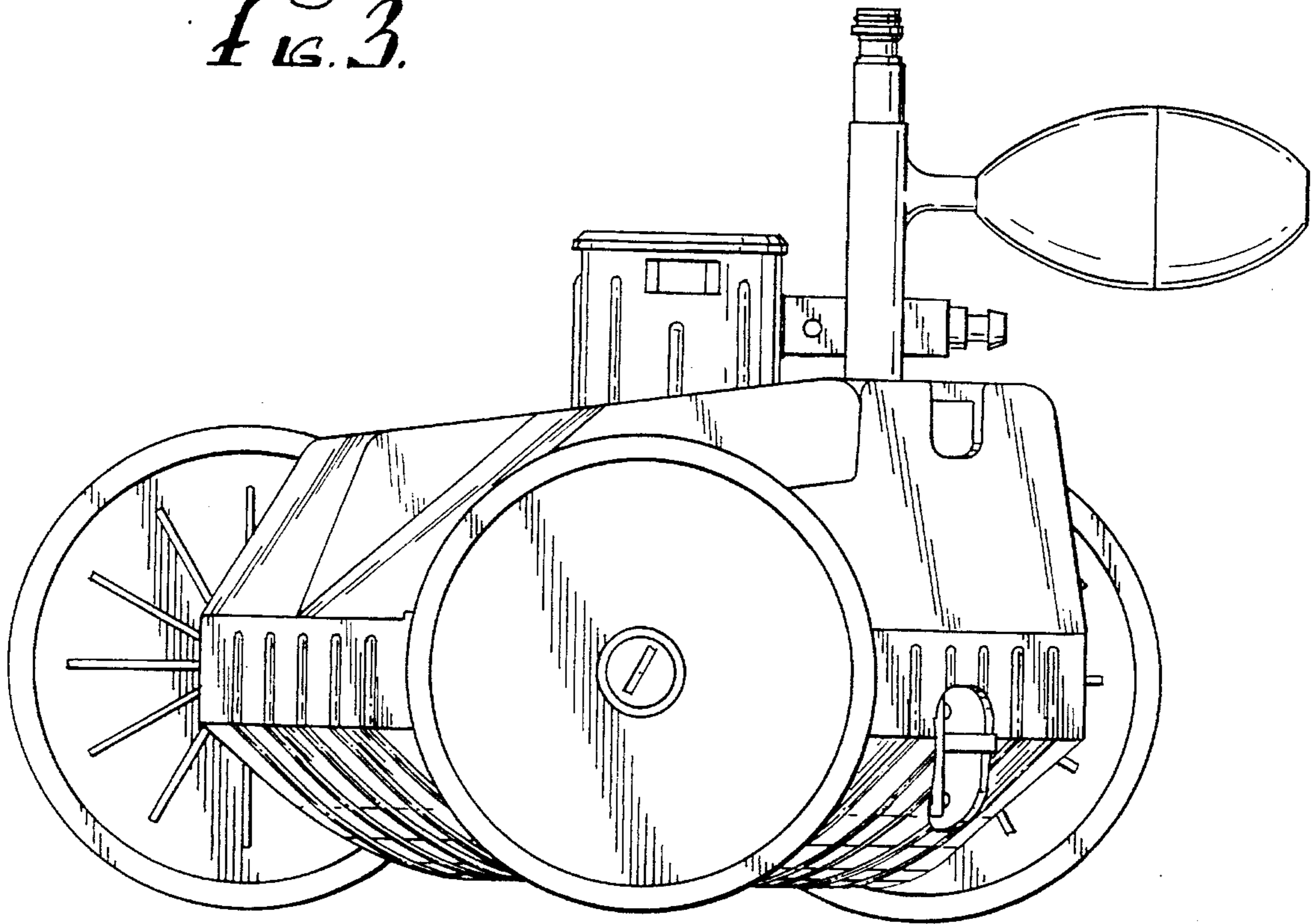


*Fig. 1.*

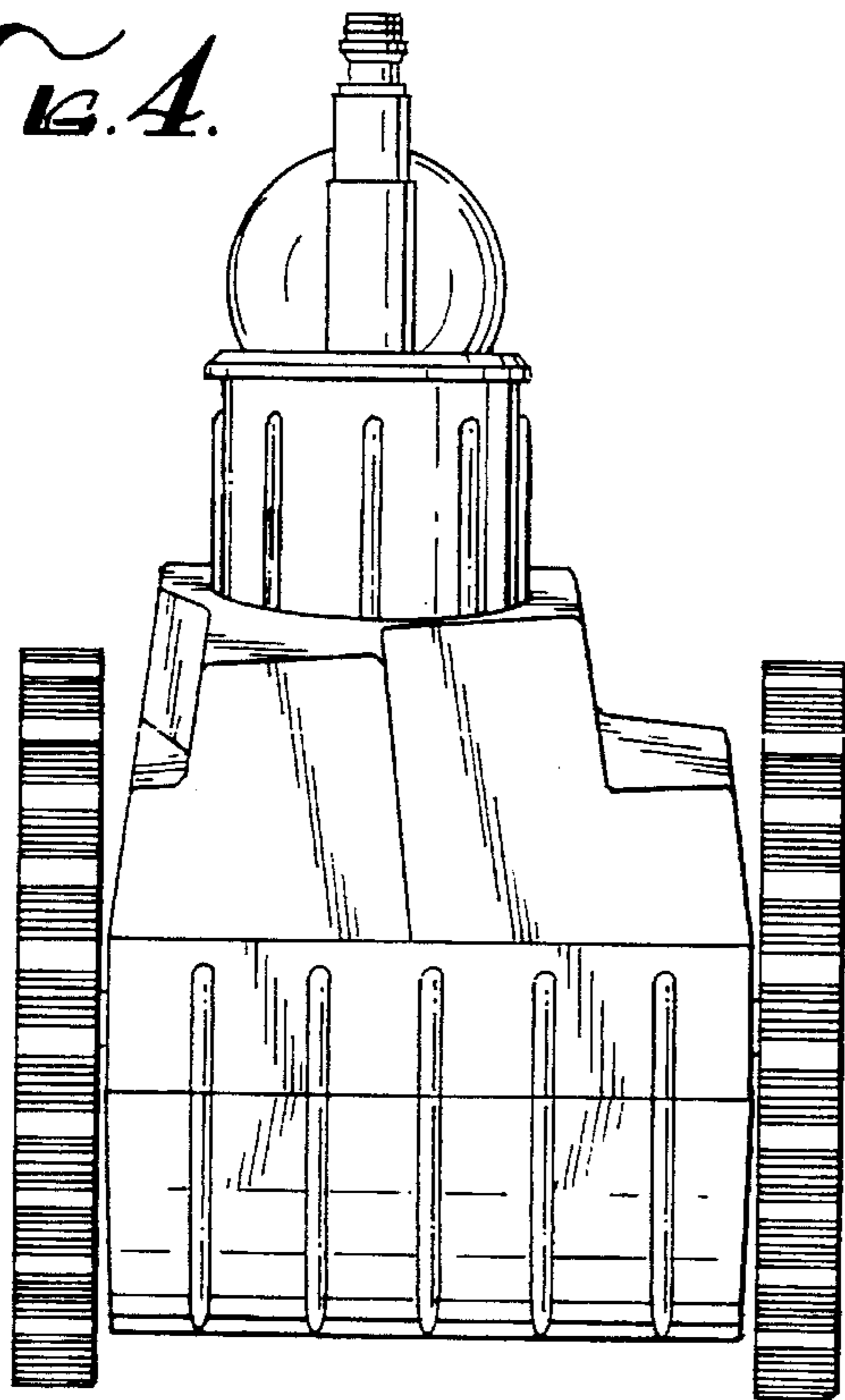


*Fig. 2.*

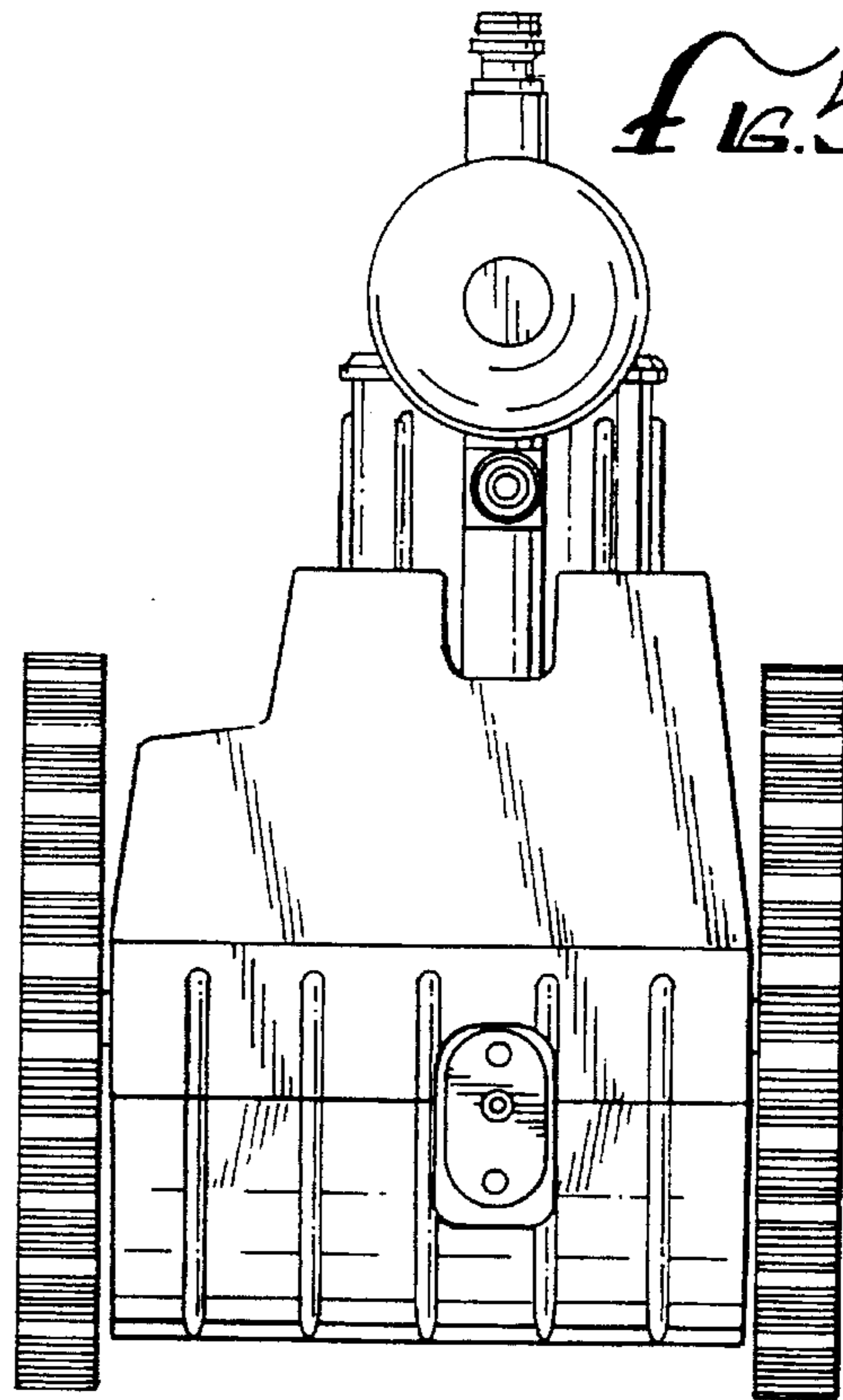
*Fig. 3.*

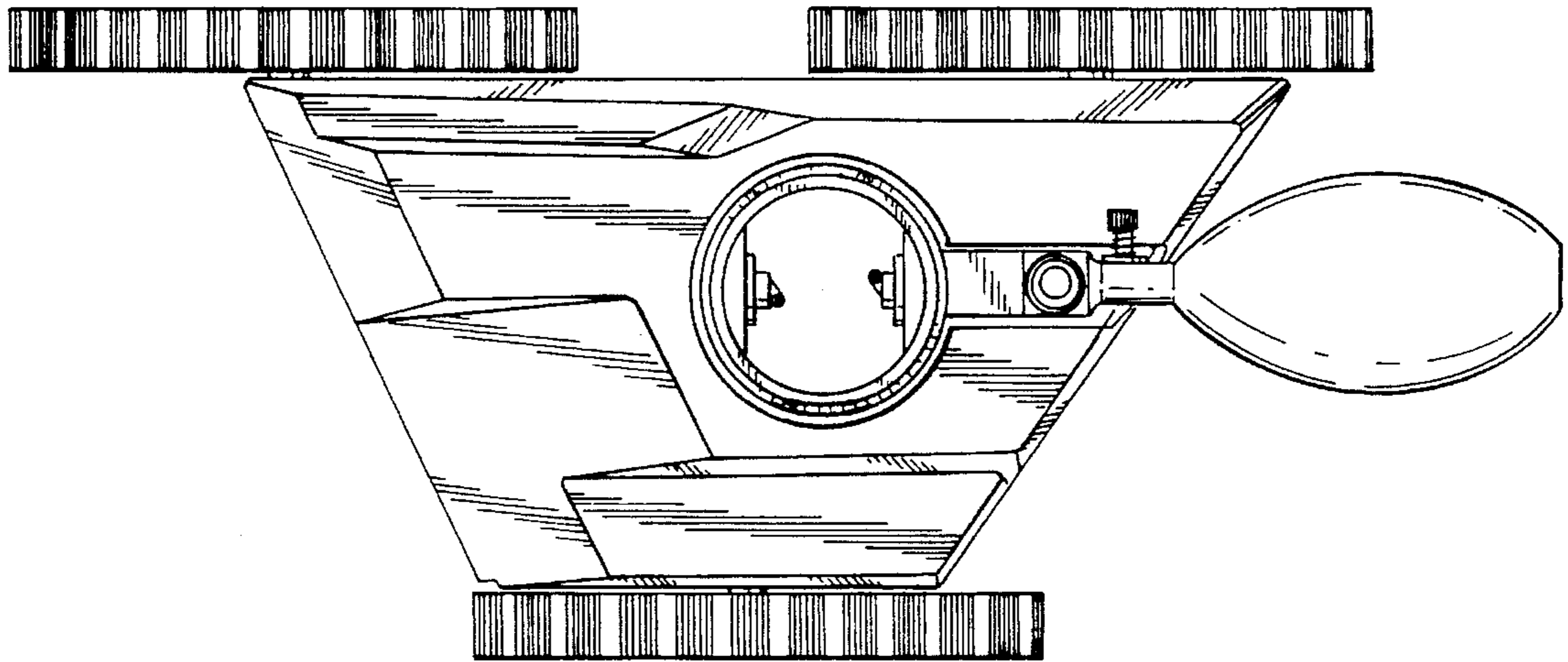


*Fig. 4.*

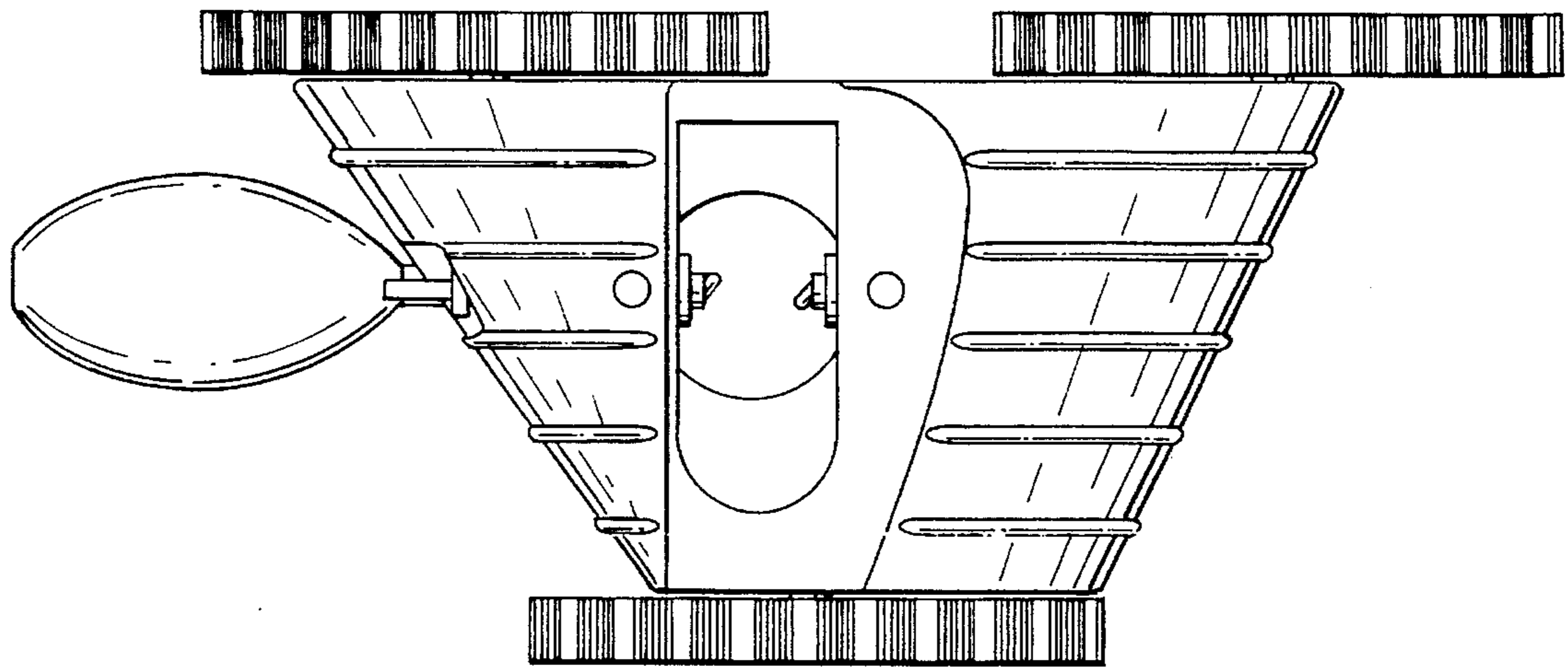


*Fig. 5.*





*FIG. 6.*



*FIG. 7.*