



US00D376442S

United States Patent [19]

[11] Patent Number: **Des. 376,442**

Locklear et al.

[45] Date of Patent: ****Dec. 10, 1996**

[54] LAMP

Primary Examiner—Kay H. Chin
Attorney, Agent, or Firm—Olive & Olive, P.A.

[75] Inventors: **Phyllis O. Locklear; Kenneth E. Locklear**, both of Lumberton, N.C.

[57] **CLAIM**

[73] Assignee: **Pak, Inc.**, Red Springs, N.C.

The ornamental design for a lamp, as shown and described.

[**] Term: **14 Years**

DESCRIPTION

[21] Appl. No.: **36,340**

FIG. 1 is a front elevational view of the lamp showing our new design, the light bulb and socket apparatus and pull chain shown in broken lines being for illustrative purposes only and form no part of the claimed design;

[22] Filed: **Mar. 14, 1995**

[52] U.S. Cl. **D26/94; D21/201**

FIG. 2 is a right side elevational view with the opposite side being a mirror image thereof, the light bulb and socket apparatus and pull chain shown in broken lines being for illustrative purposes only and form no part of the claimed design;

[58] Field of Search **D26/94, 93, 102-112; D11/152; D21/201; D20/29; 362/410-414**

FIG. 3 is a rear elevational view thereof;

[56] **References Cited**

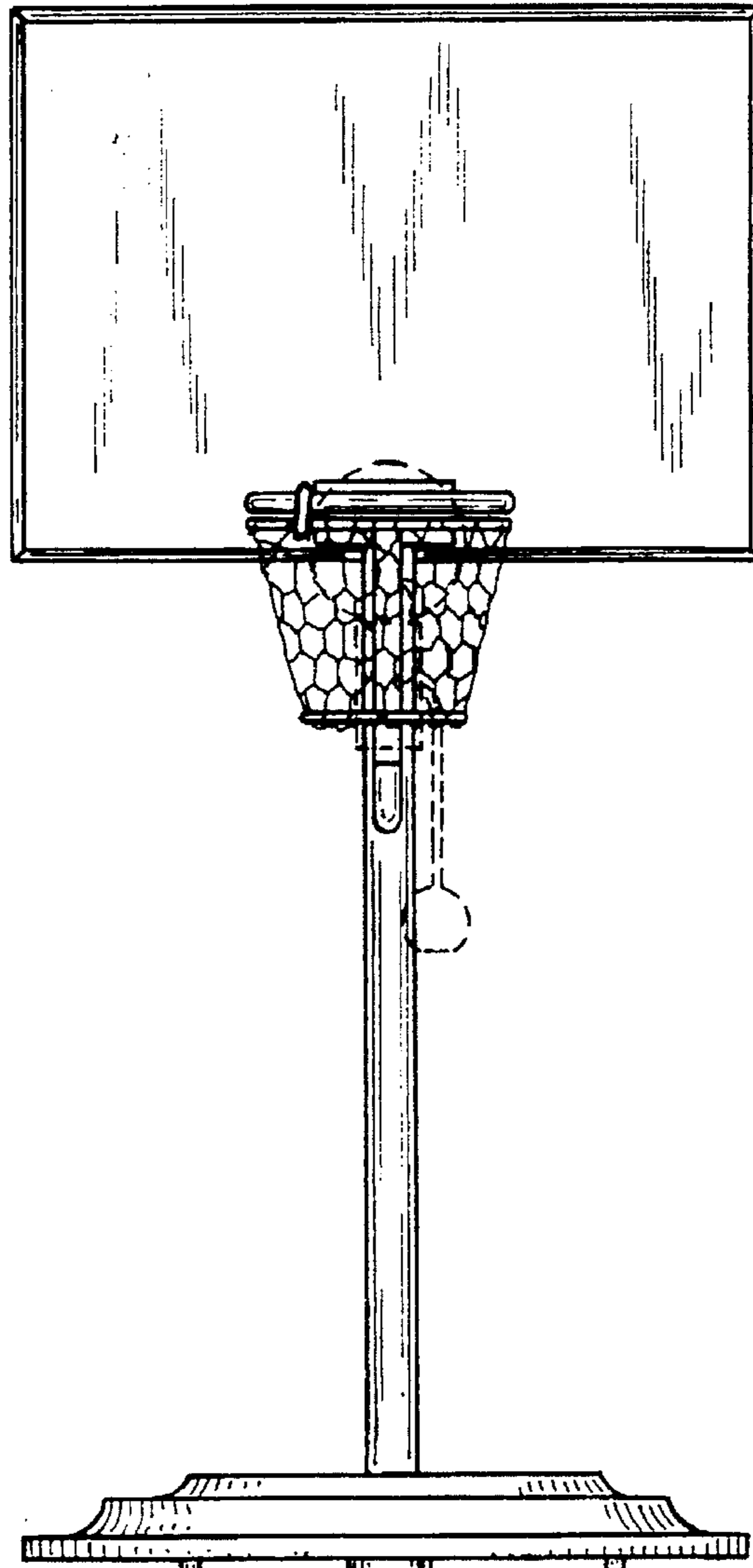
U.S. PATENT DOCUMENTS

FIG. 4 is a top plan view thereof; and,

FIG. 5 is a bottom plan view thereof.

D. 315,185	3/1991	Maloney	D21/201
D. 321,846	11/1991	Nys	D11/157
D. 324,925	3/1992	Lamp	D26/94

1 Claim, 2 Drawing Sheets



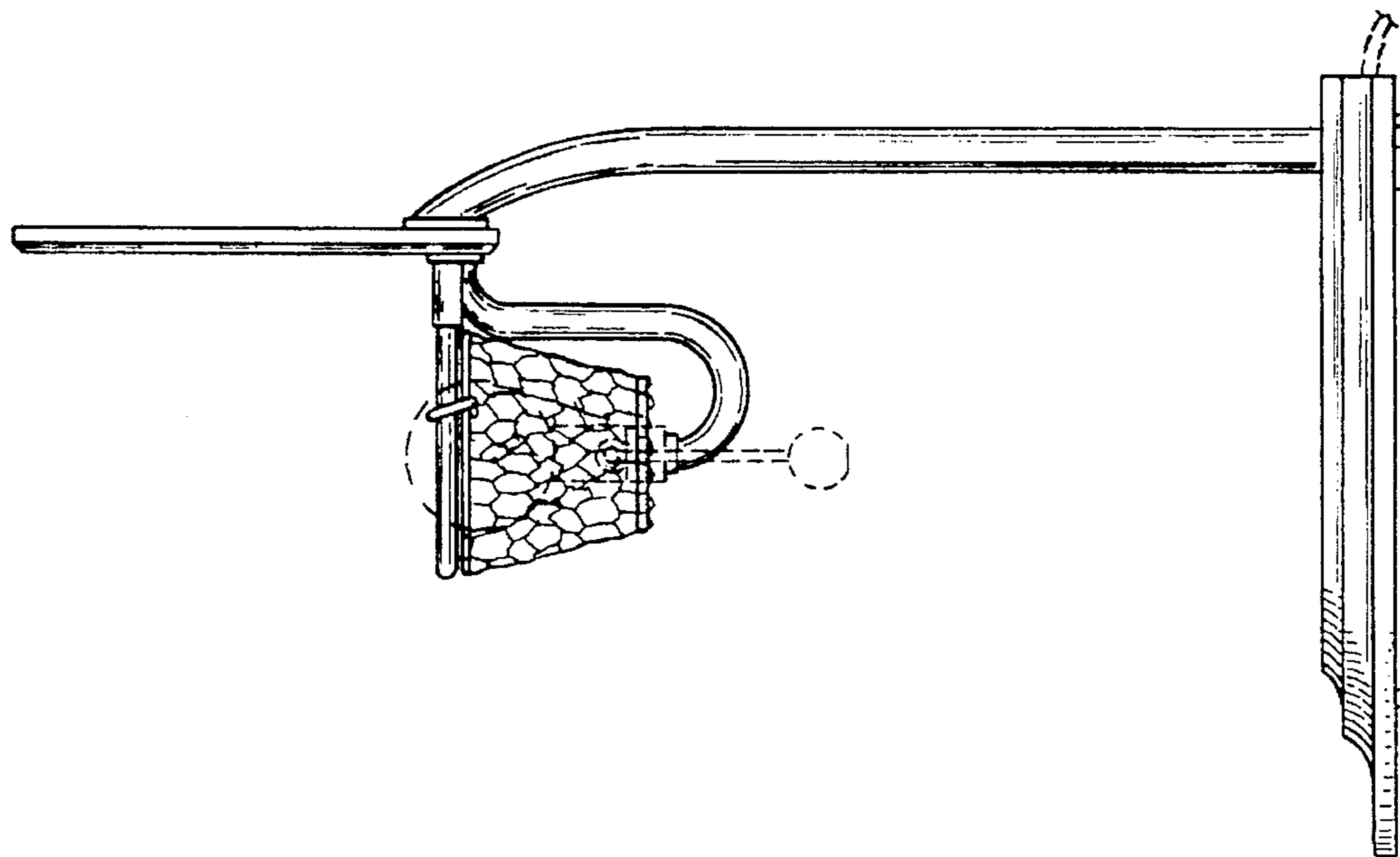


FIG. 2

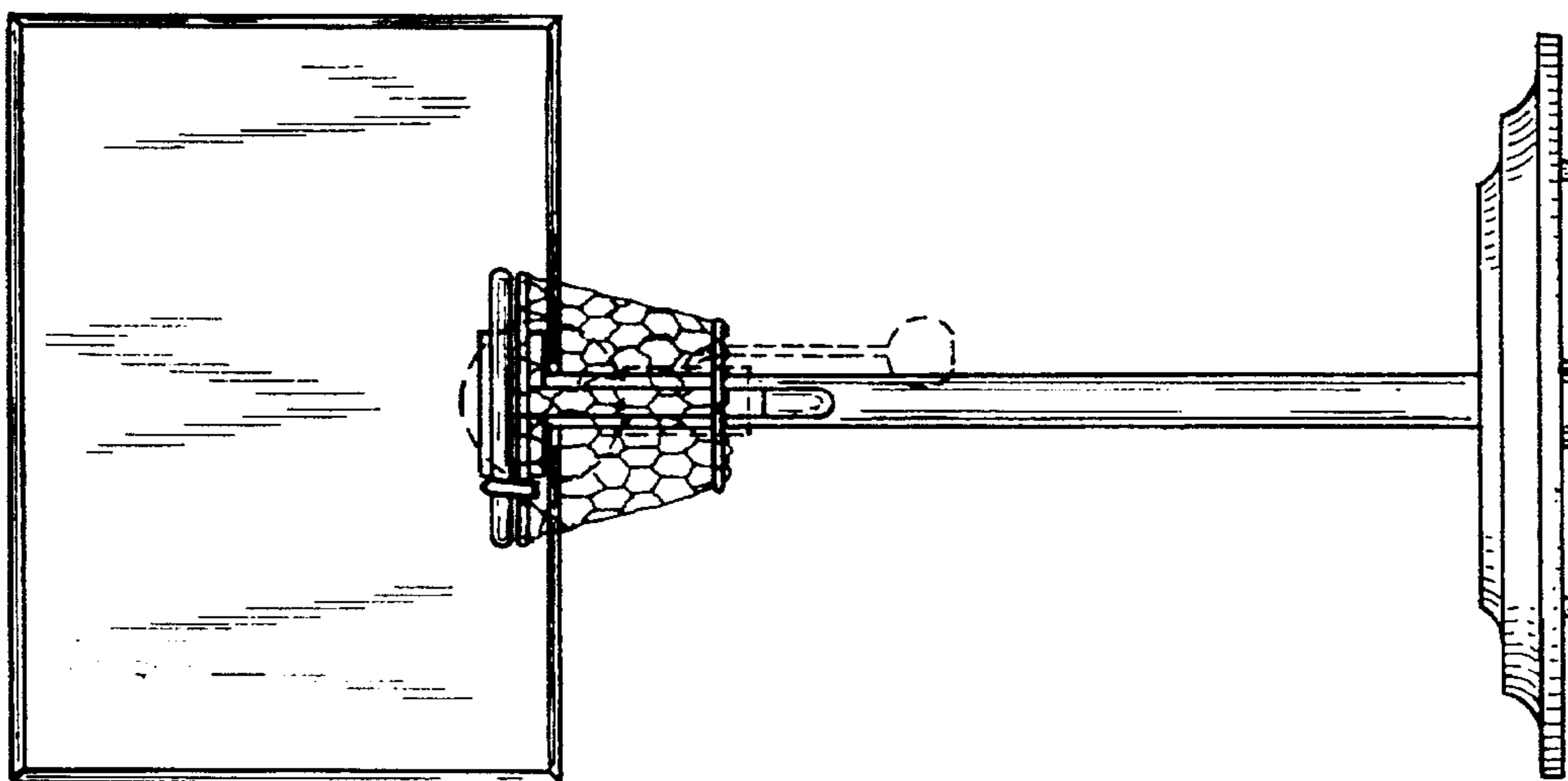


FIG. 1

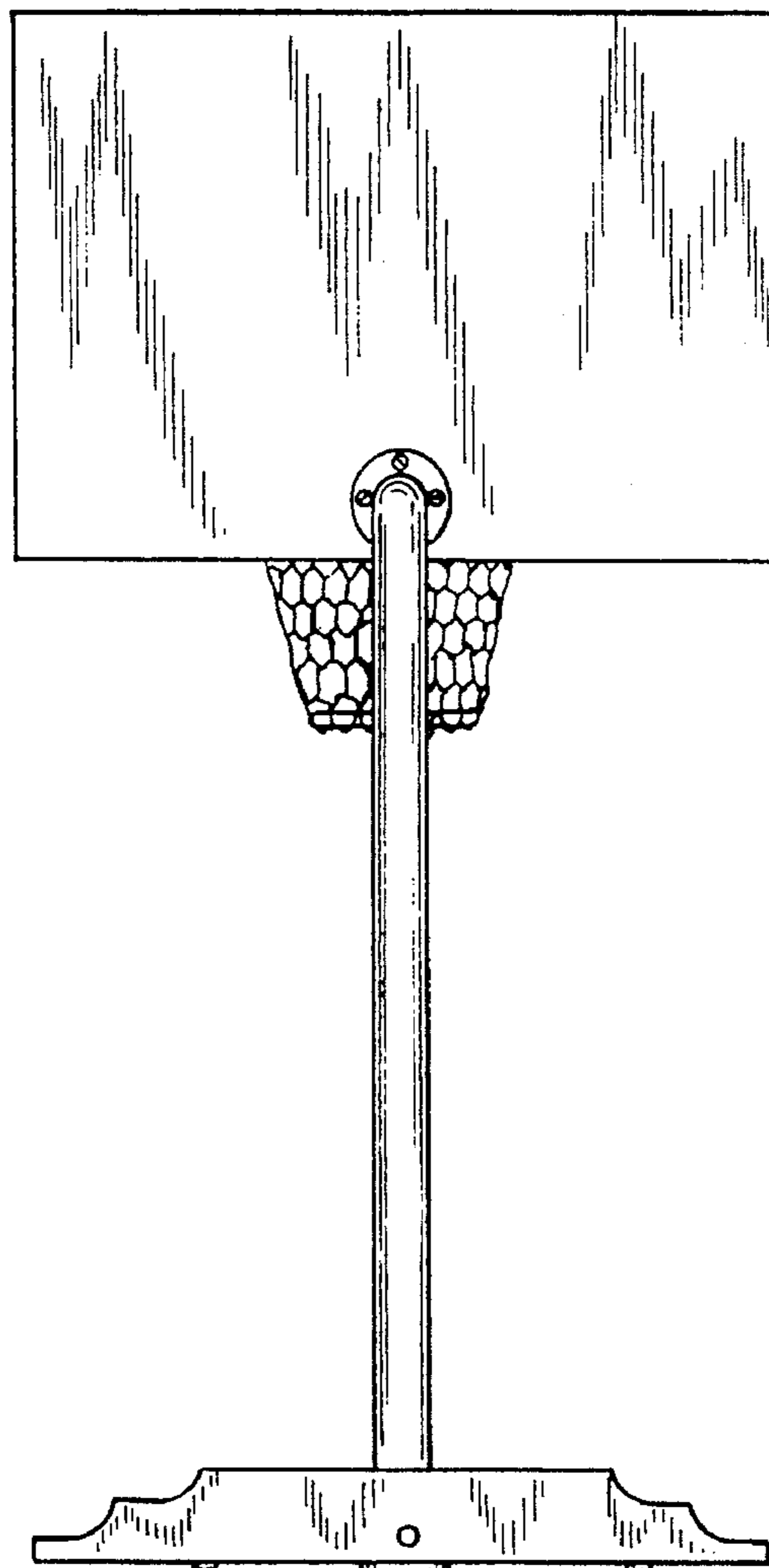


FIG. 3

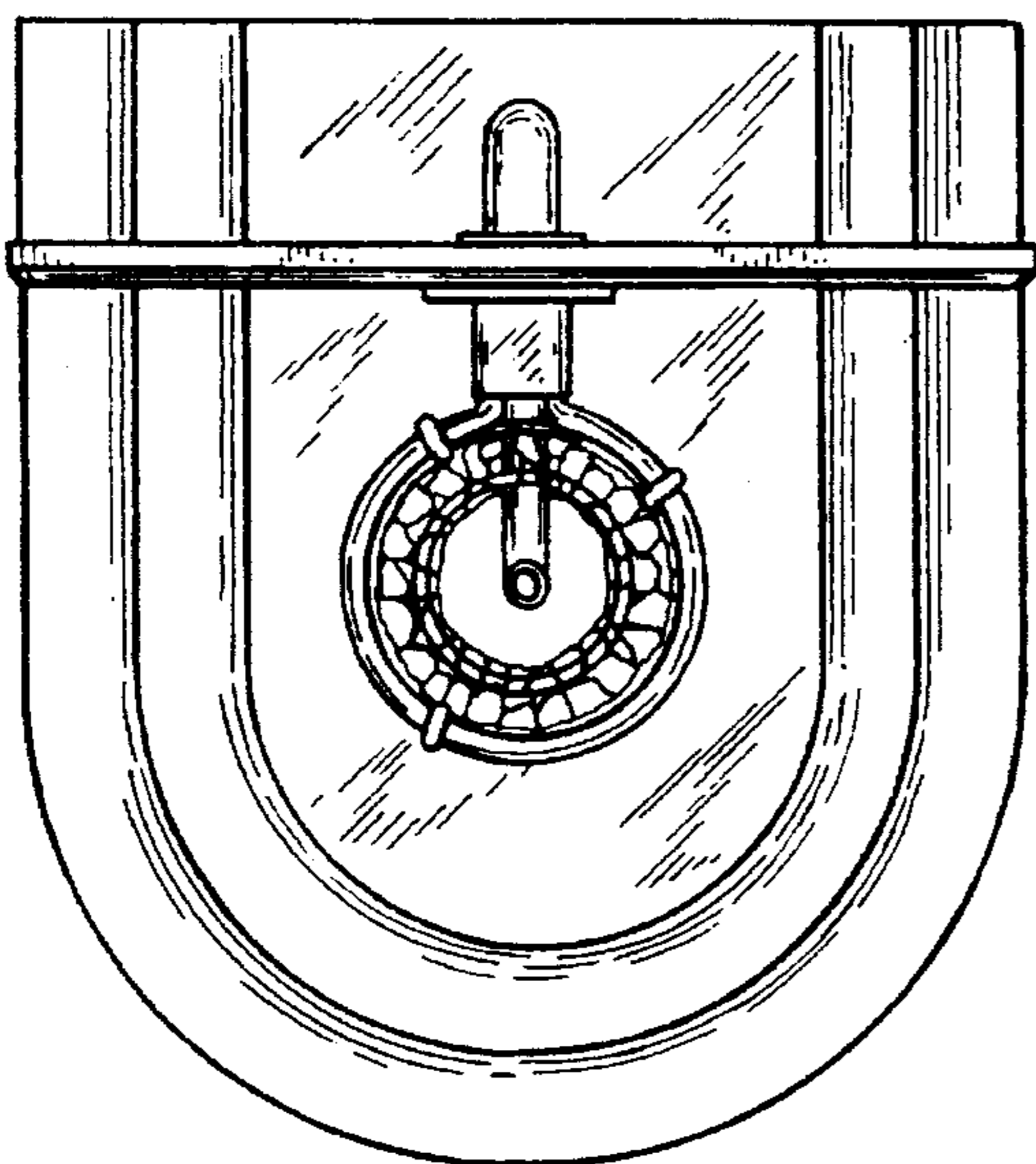


FIG. 4

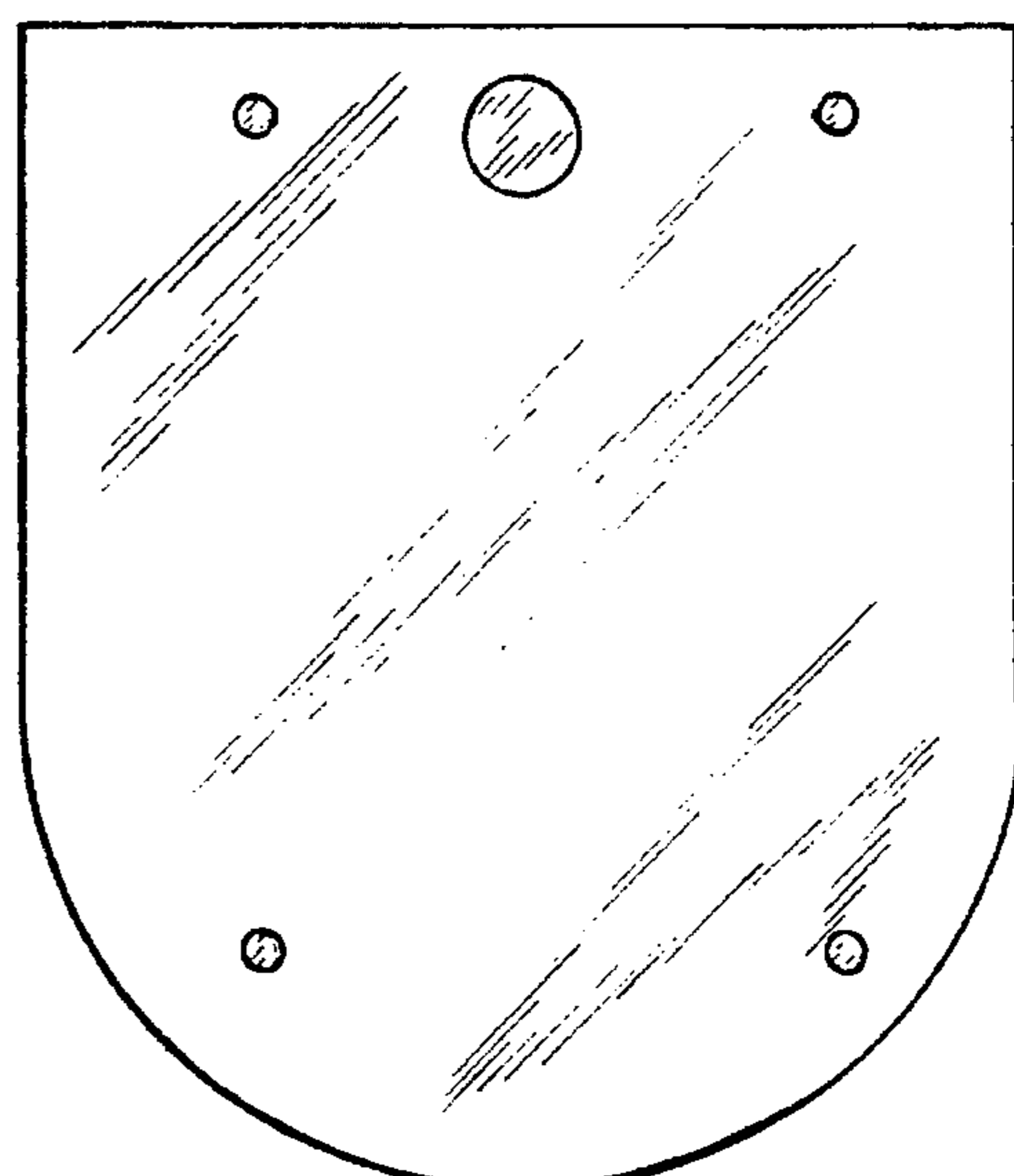


FIG. 5