



US00D376439S

# United States Patent [19]

Chai

[11] Patent Number: **Des. 376,439**

[45] Date of Patent: **\*\*Dec. 10, 1996**

[54] FLASHLIGHT

[76] Inventor: **Alex Chai**, 6F, No. 146, Fu Gun St.,  
Taipei, Taiwan

[\*\*] Term: **14 Years**

[21] Appl. No.: **48,426**

[22] Filed: **Dec. 28, 1995**

[52] U.S. Cl. .... **D26/37**

[58] Field of Search ..... D26/37-50; 362/157,  
362/158, 183-208, 804

[56] **References Cited**

**U.S. PATENT DOCUMENTS**

D. 147,258	8/1947	Becker	.....	D26/43
D. 240,322	6/1976	Staub	.....	D26/43
D. 290,405	6/1987	Johns	.....	D26/37

*Primary Examiner*—Marcus A. Jackson  
*Attorney, Agent, or Firm*—Morton J. Rosenberg; David I. Klein

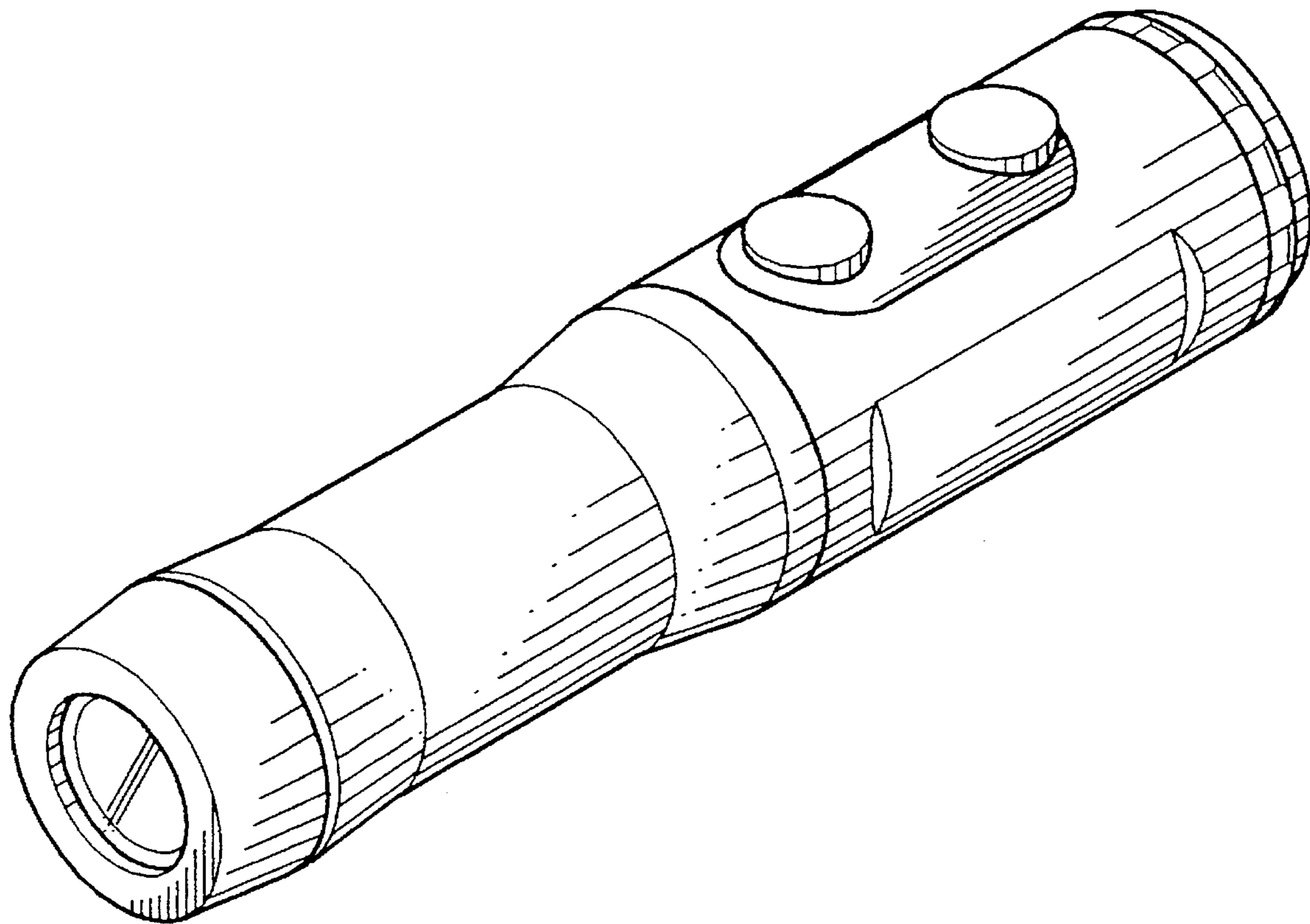
[57] **CLAIM**

The ornamental design for a flashlight, shown and described.

**DESCRIPTION**

FIG. 1 is a perspective view of a flashlight in accordance with the design;  
FIG. 2 is a front elevational view thereof;  
FIG. 3 is a rear elevational view thereof;  
FIG. 4 is a left side elevational view thereof;  
FIG. 5 is a right side elevational view thereof;  
FIG. 6 is a top plan view thereof; and,  
FIG. 7 is bottom plan view thereof.

**1 Claim, 3 Drawing Sheets**



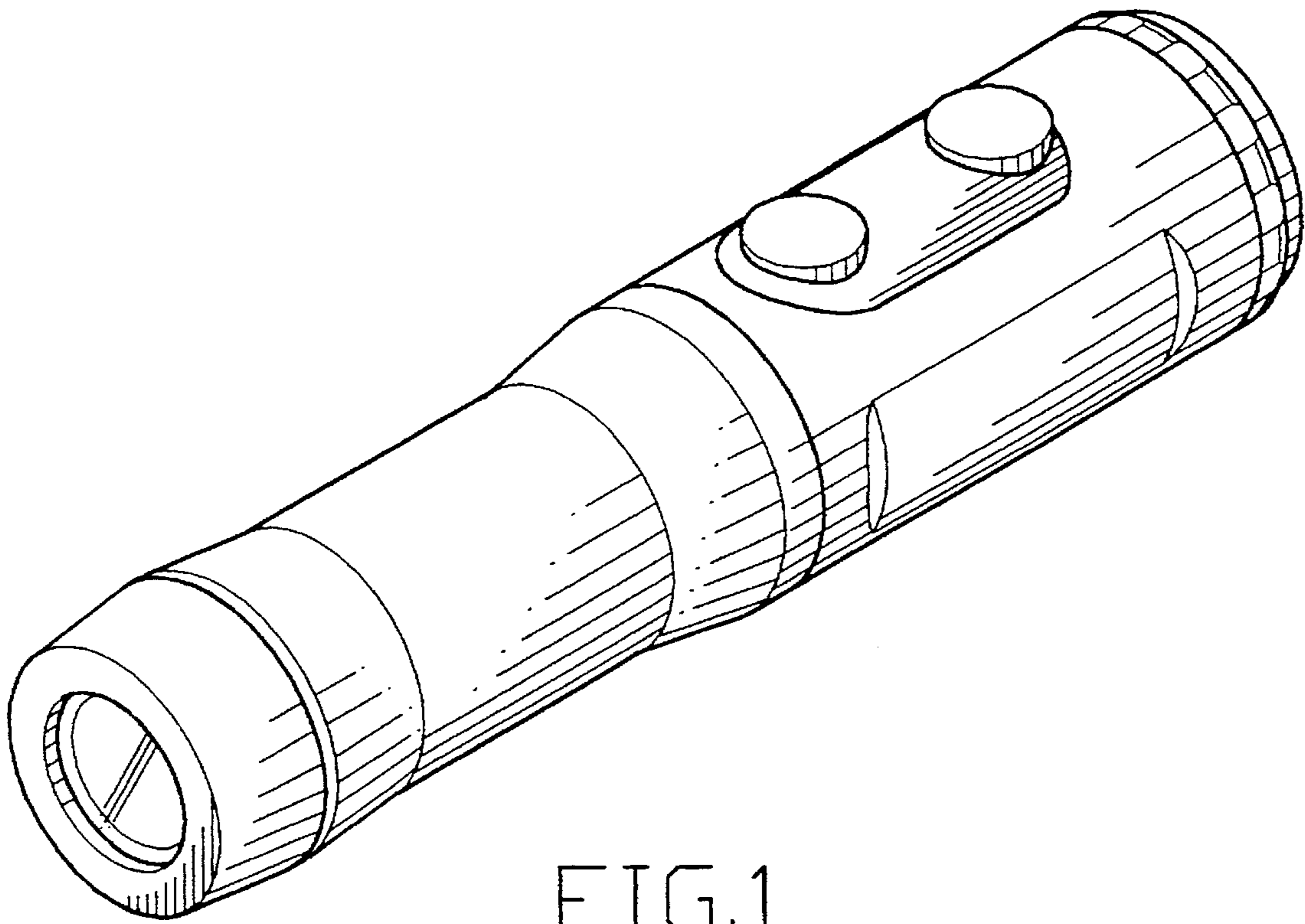


FIG. 1

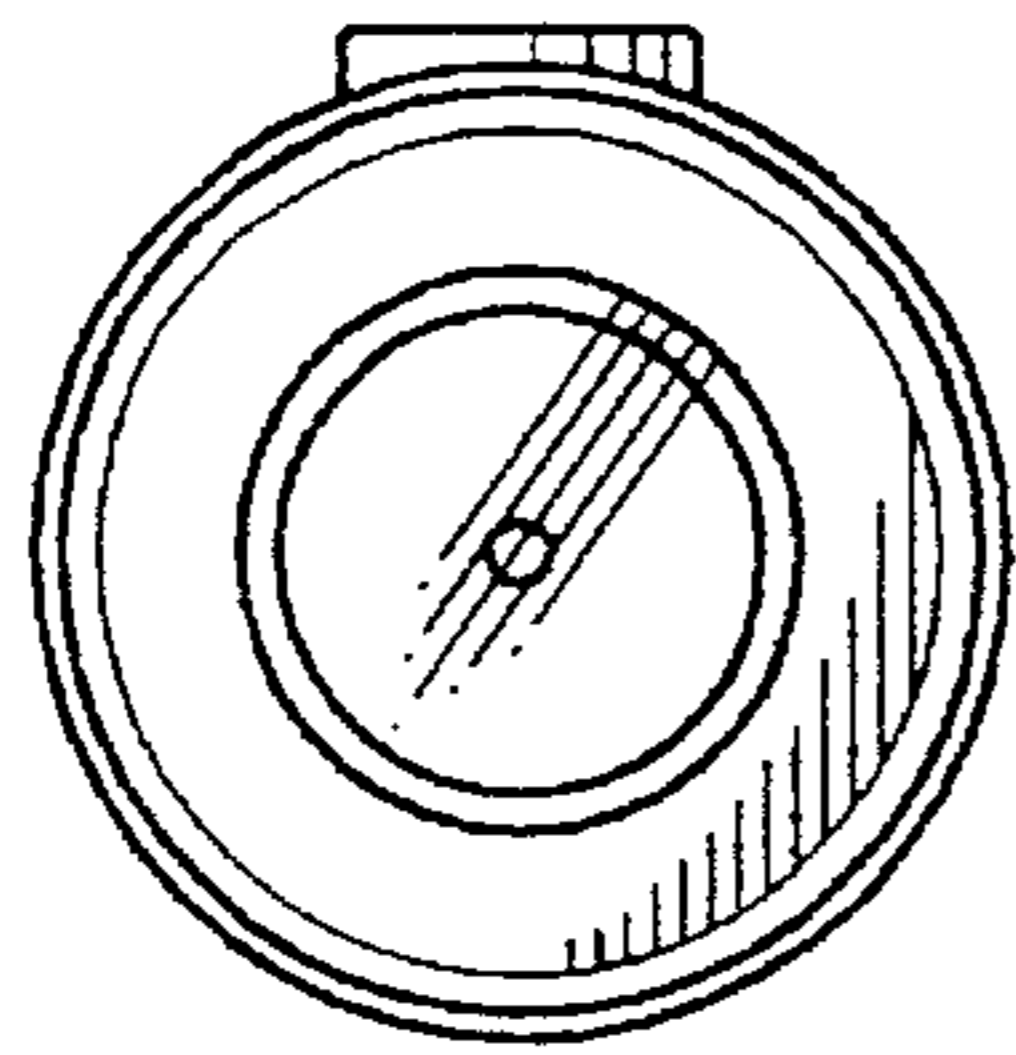


FIG. 2

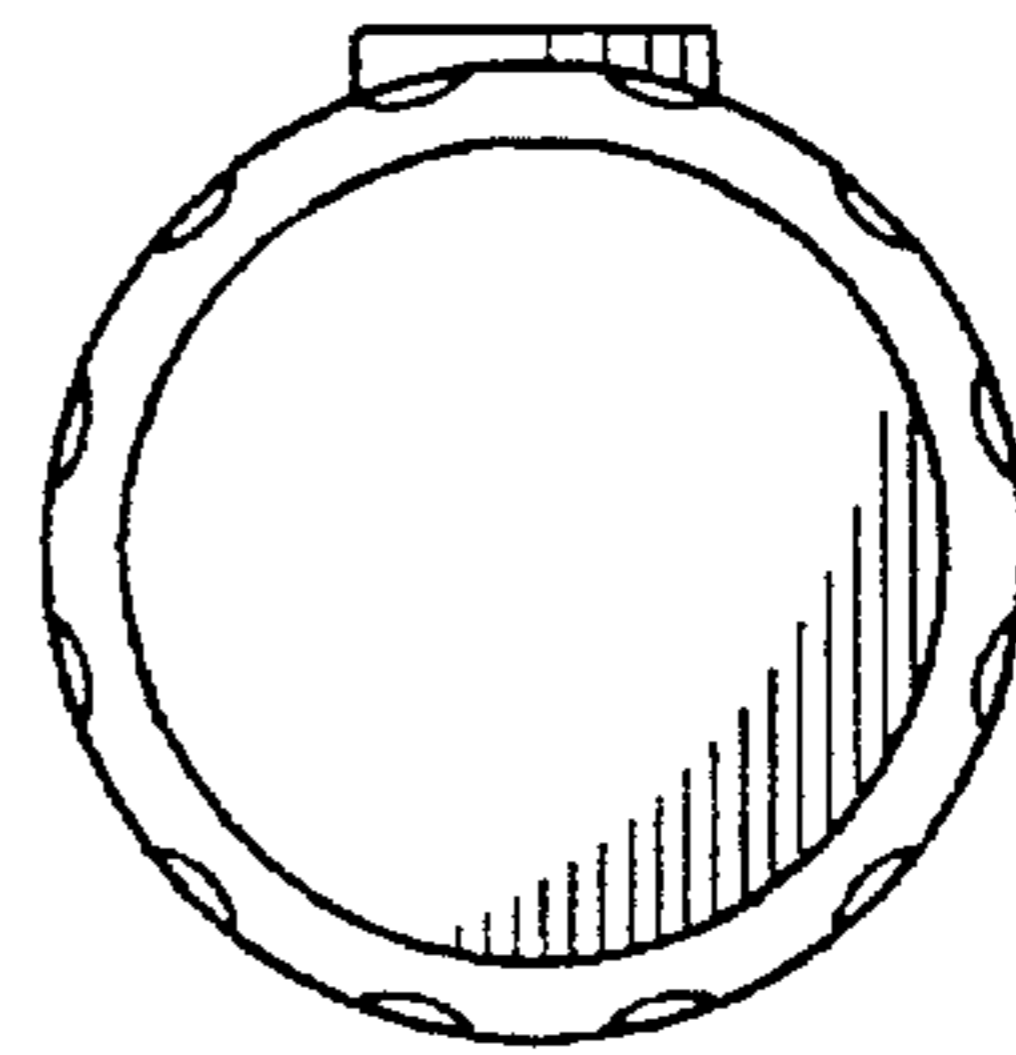


FIG. 3

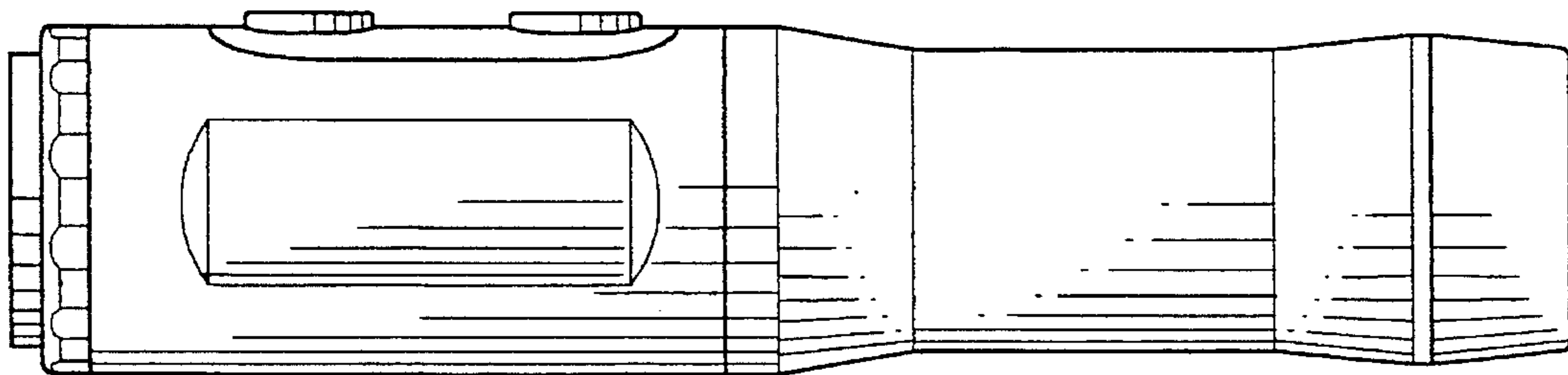


FIG. 4

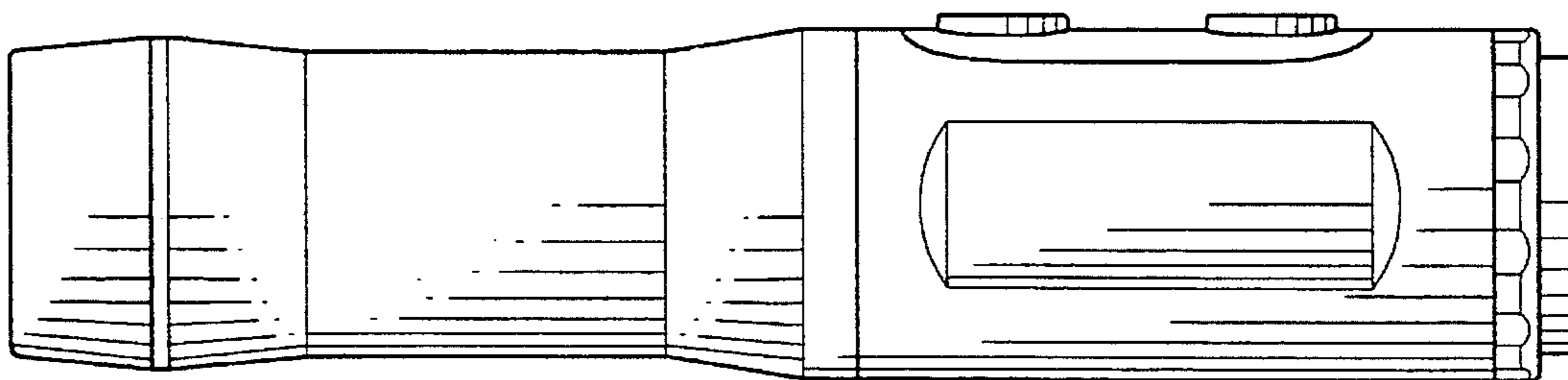


FIG. 5

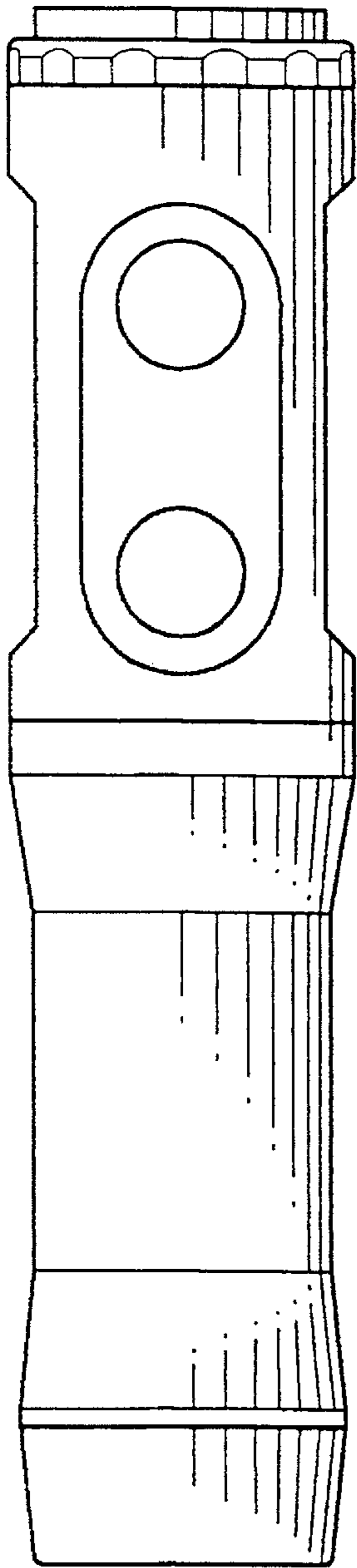


FIG. 6

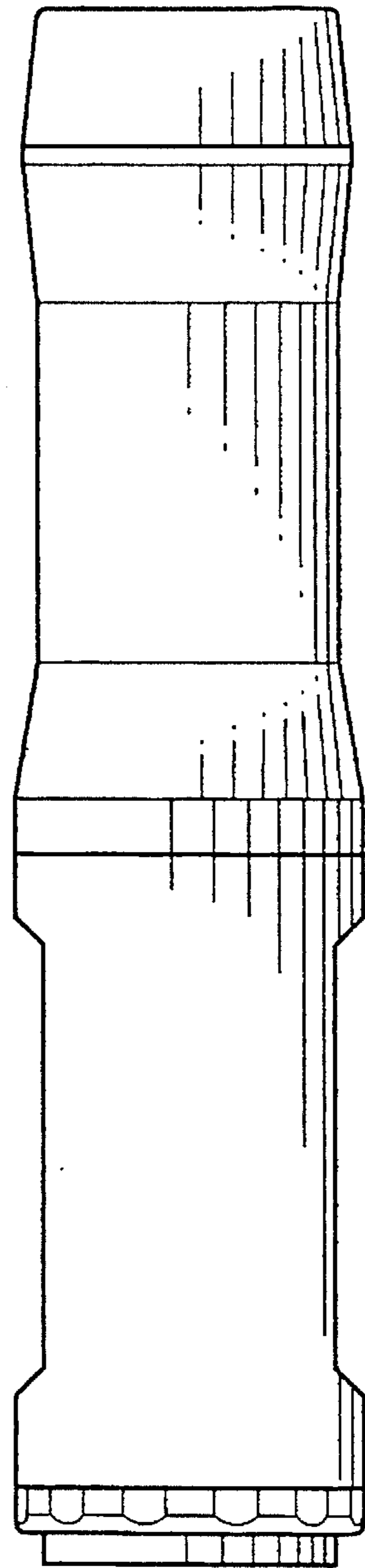


FIG. 7