



US00D376438S

United States Patent [19]
Huang

[11] **Patent Number: Des. 376,438**

[45] **Date of Patent: **Dec. 10, 1996**

[54] **HEAD LIGHTS OF CARS**

[76] Inventor: **Jung-Chun Huang**, No. 160, Sec. 1,
Erh Jen Road, Pao An Village, Jen Te
Hsiang, Taiwan

[**] Term: **14 Years**

[21] Appl. No.: **49,965**

[22] Filed: **Feb. 5, 1996**

[52] U.S. Cl. **D26/28**

[58] Field of Search D26/28-36; 362/61,
362/80, 81, 82, 83, 72, 157, 158, 183-209

[56] **References Cited**

U.S. PATENT DOCUMENTS

D. 281,356	11/1985	Ofield	D26/28
D. 354,363	1/1995	Tsai	D26/28
D. 357,756	4/1995	Tsai	D26/28

Primary Examiner—Marcus A. Jackson
Attorney, Agent, or Firm—Morton J. Rosenberg; David I. Klein

[57] **CLAIM**

The ornamental design for a head lights of cars, as shown and described.

DESCRIPTION

FIG. 1 is a perspective view of a head lights of cars showing my new design;

FIG. 2 is a front elevational view thereof;

FIG. 3 is a rear elevational view thereof;

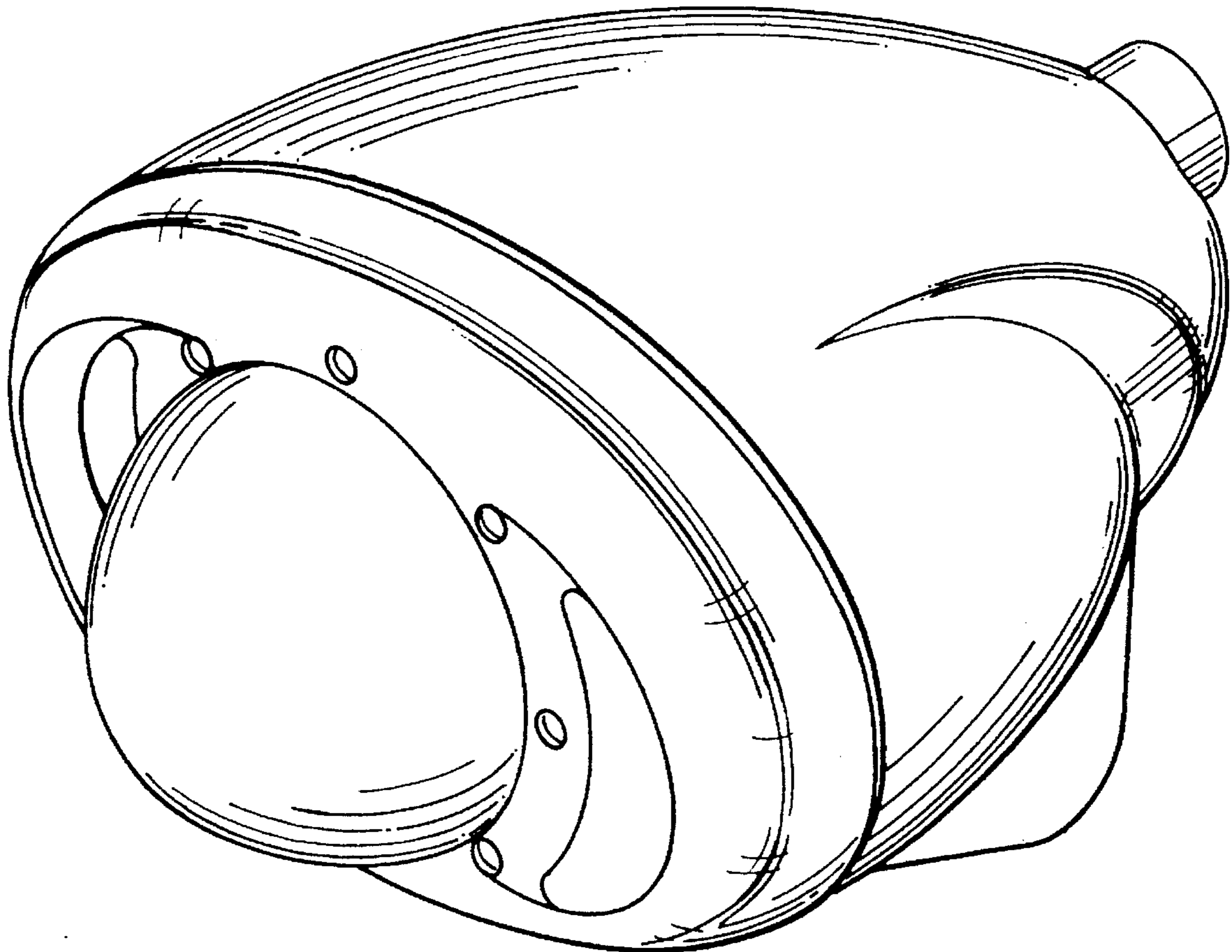
FIG. 4 is a left side elevational view thereof;

FIG. 5 is a right side elevational view thereof;

FIG. 6 is a top plan view thereof; and,

FIG. 7 is a bottom plan view thereof.

1 Claim, 5 Drawing Sheets



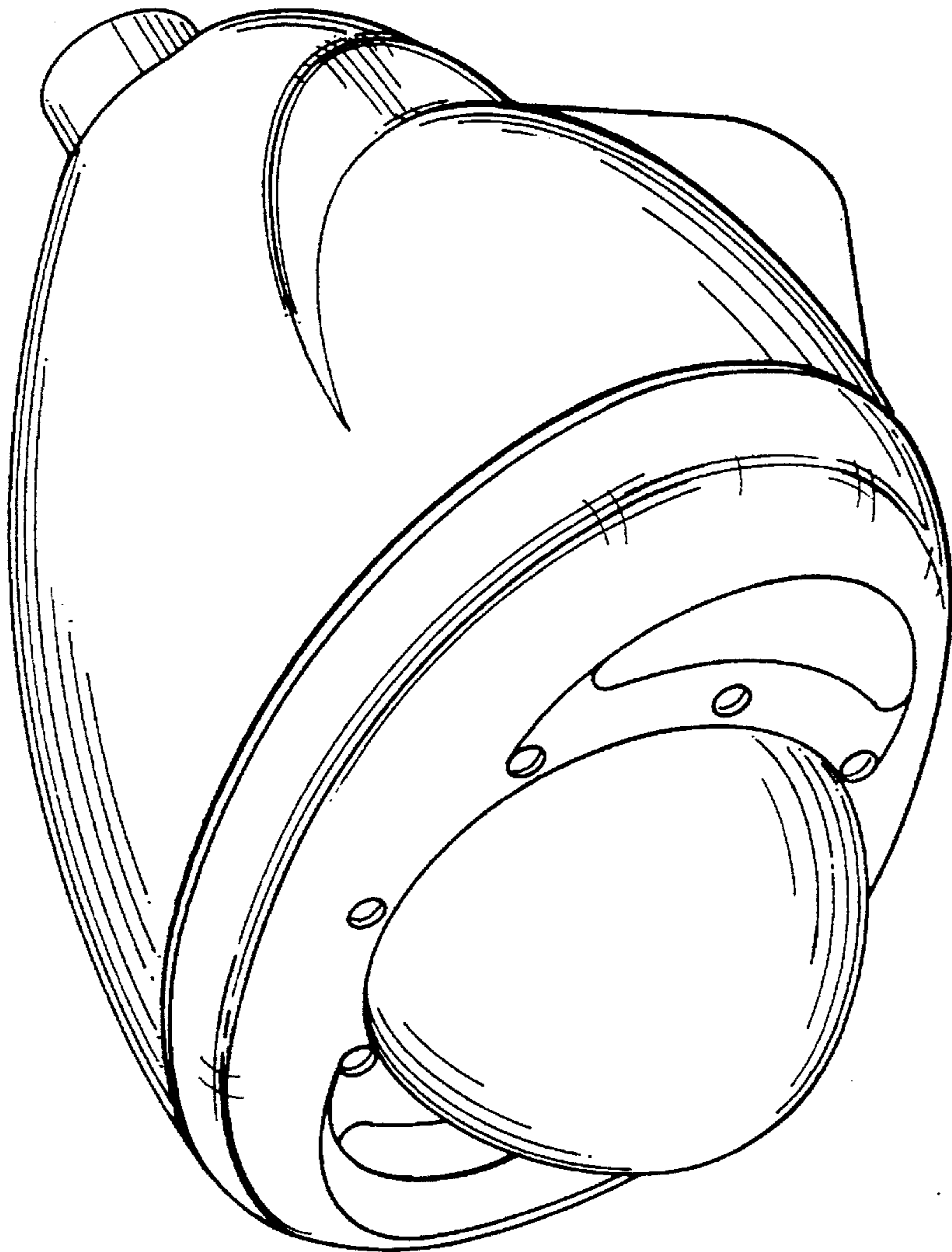


FIG. 1

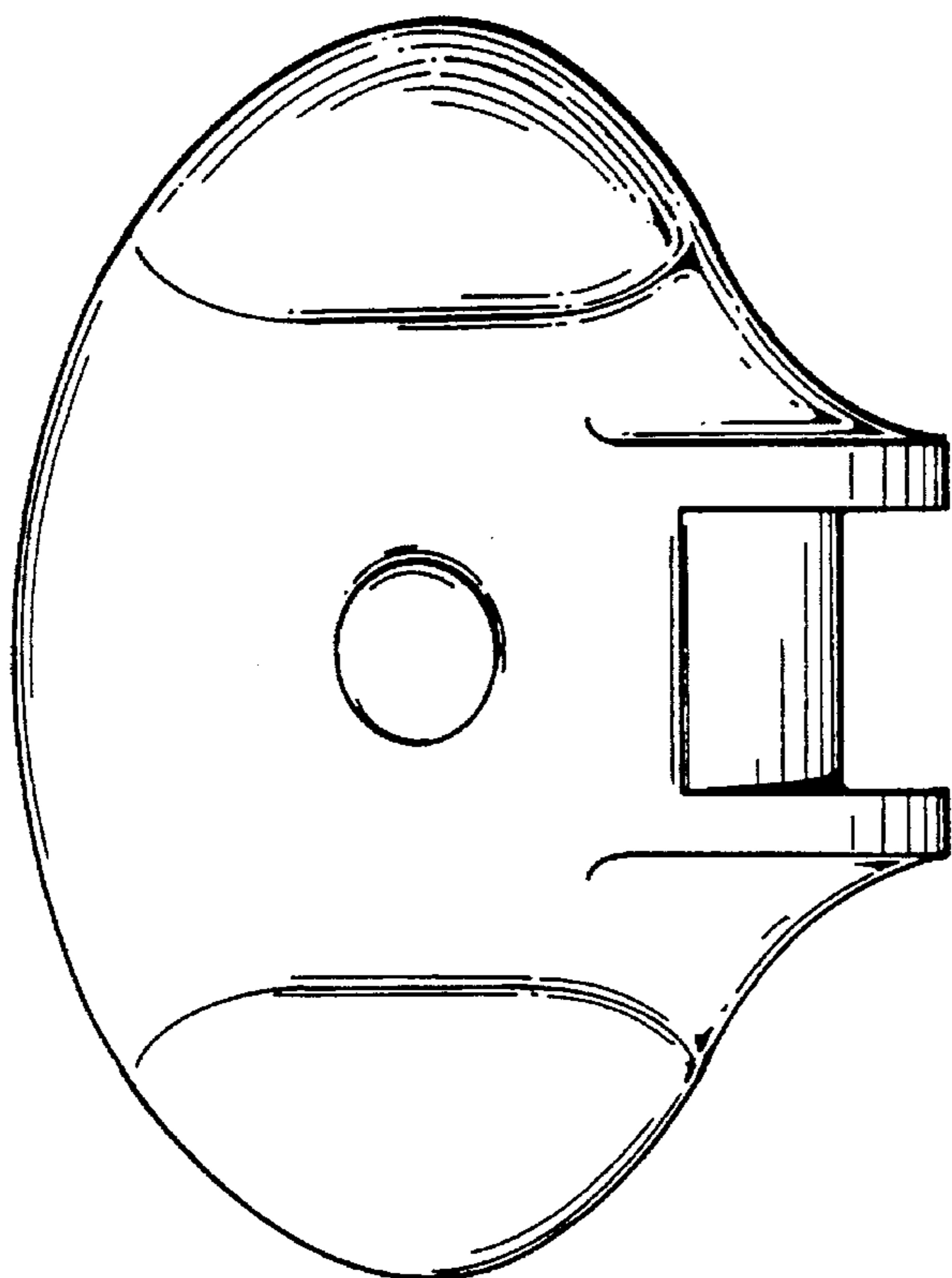


FIG. 2

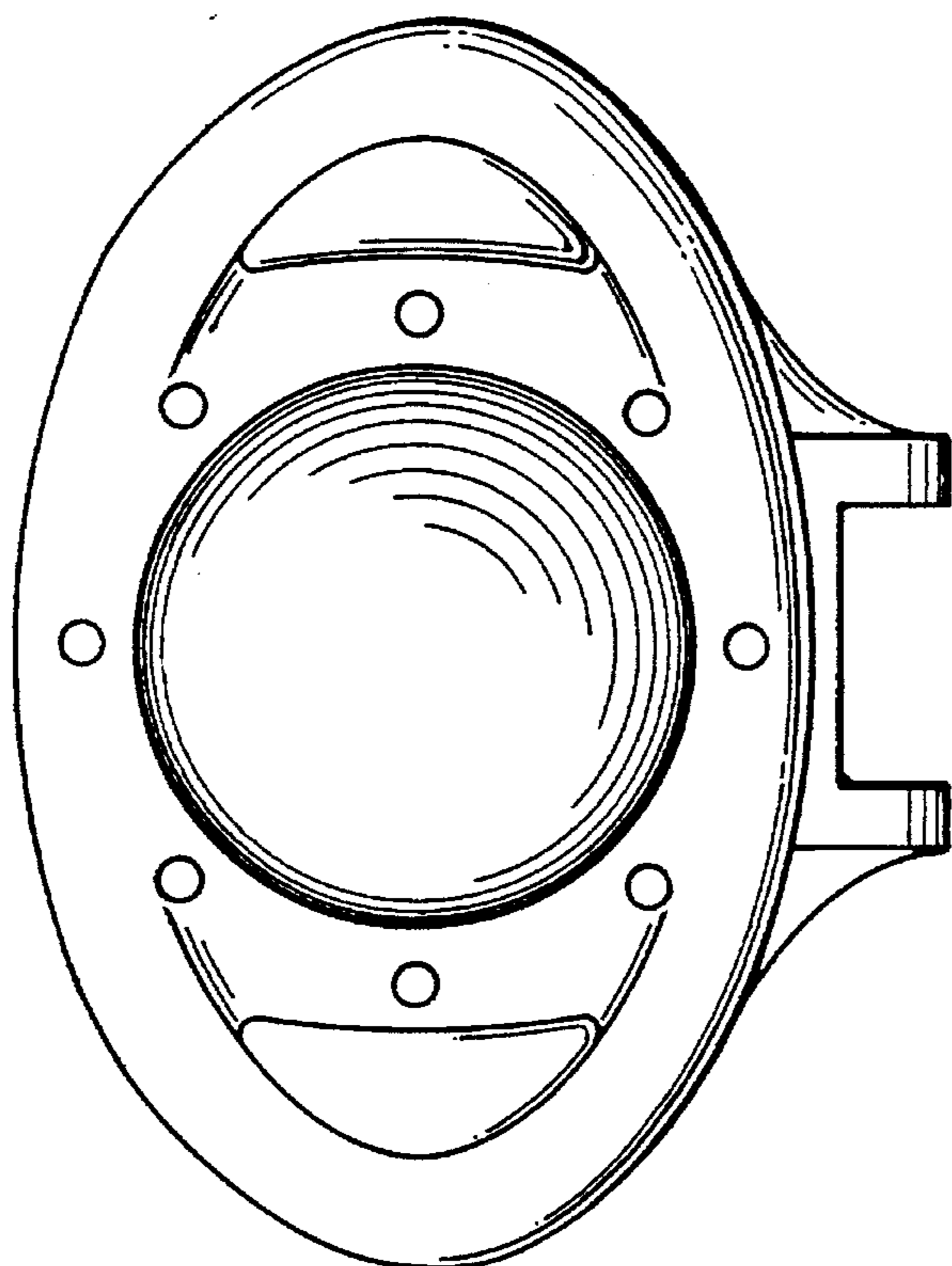


FIG. 3

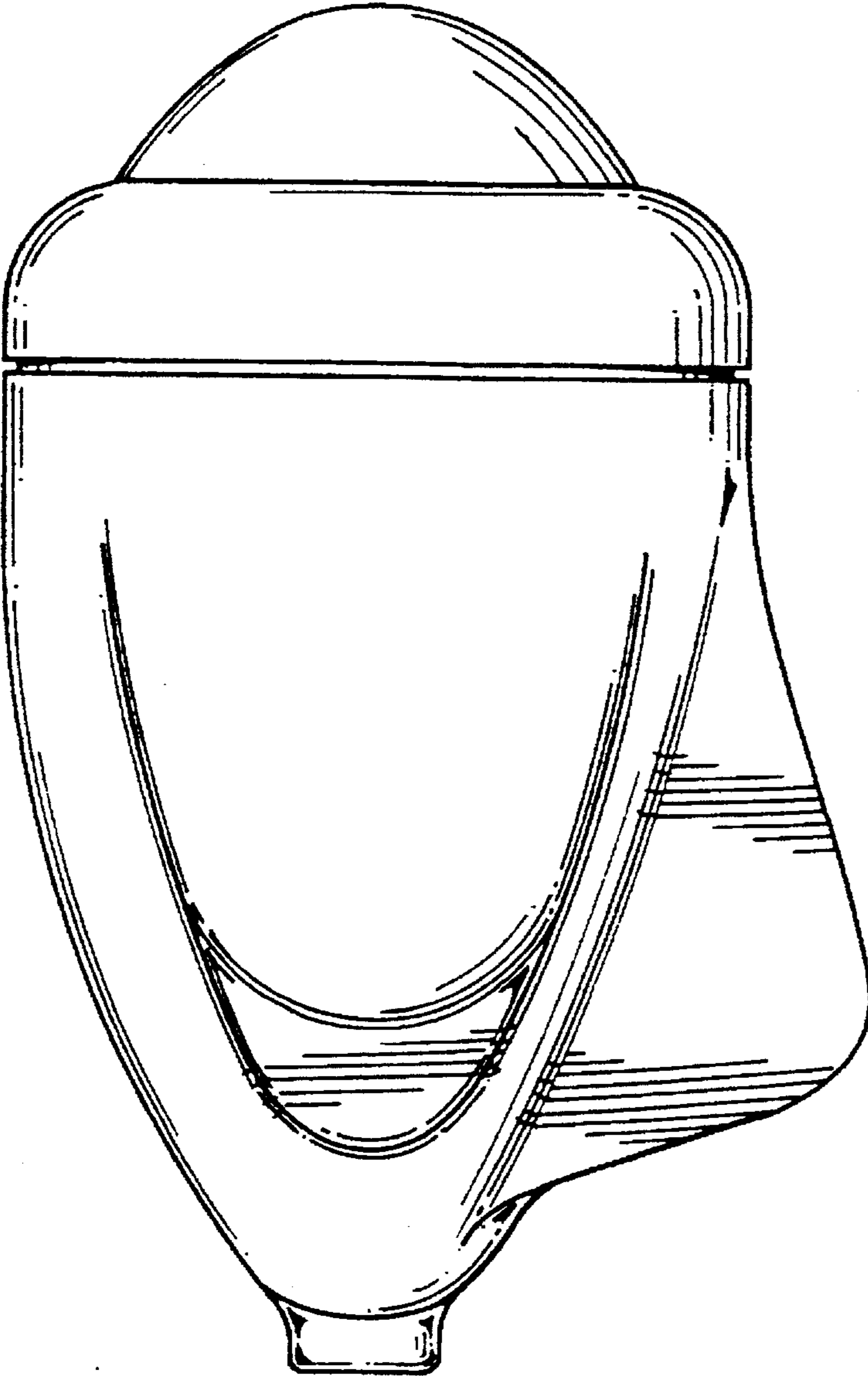


FIG. 4

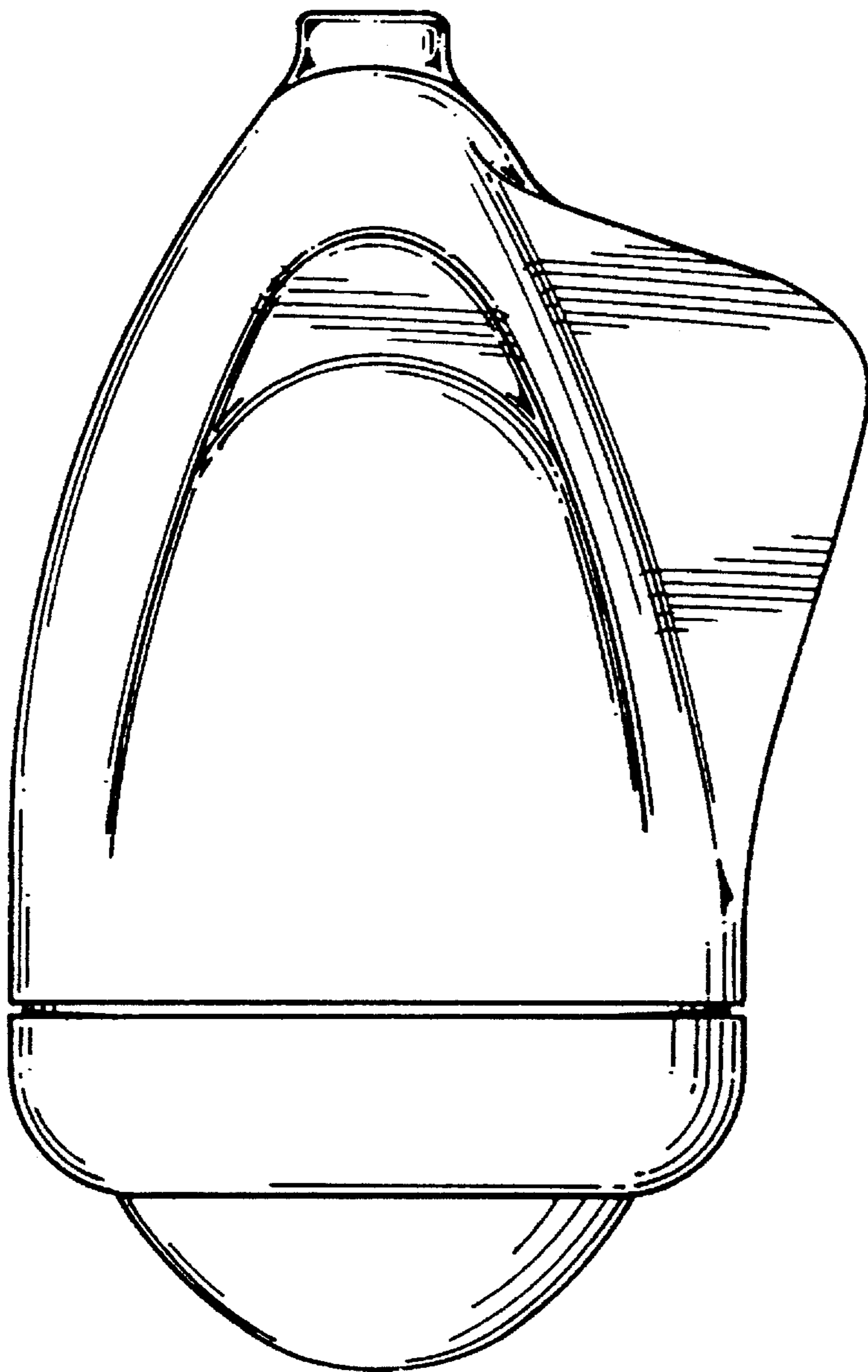


FIG. 5

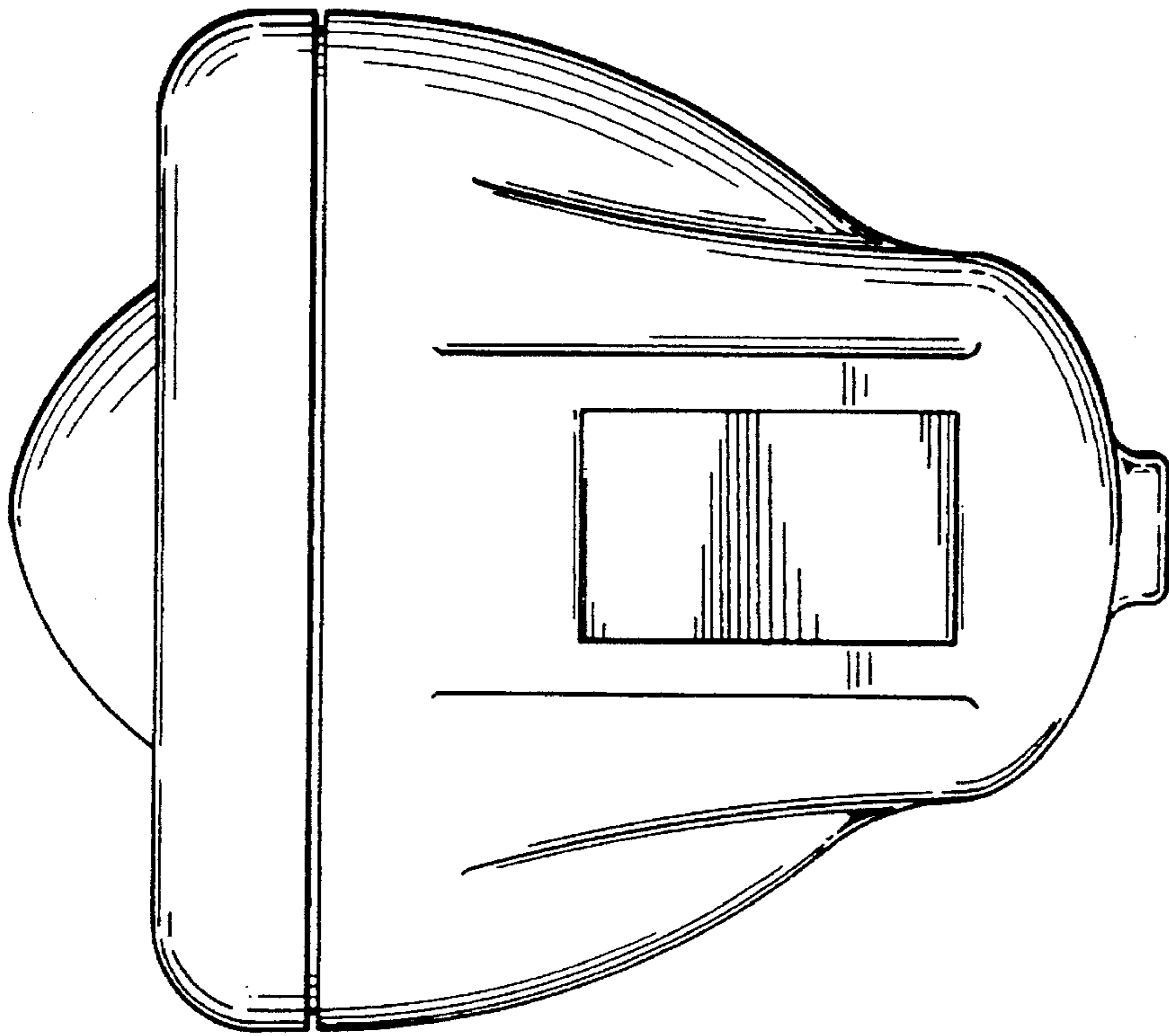


FIG. 7

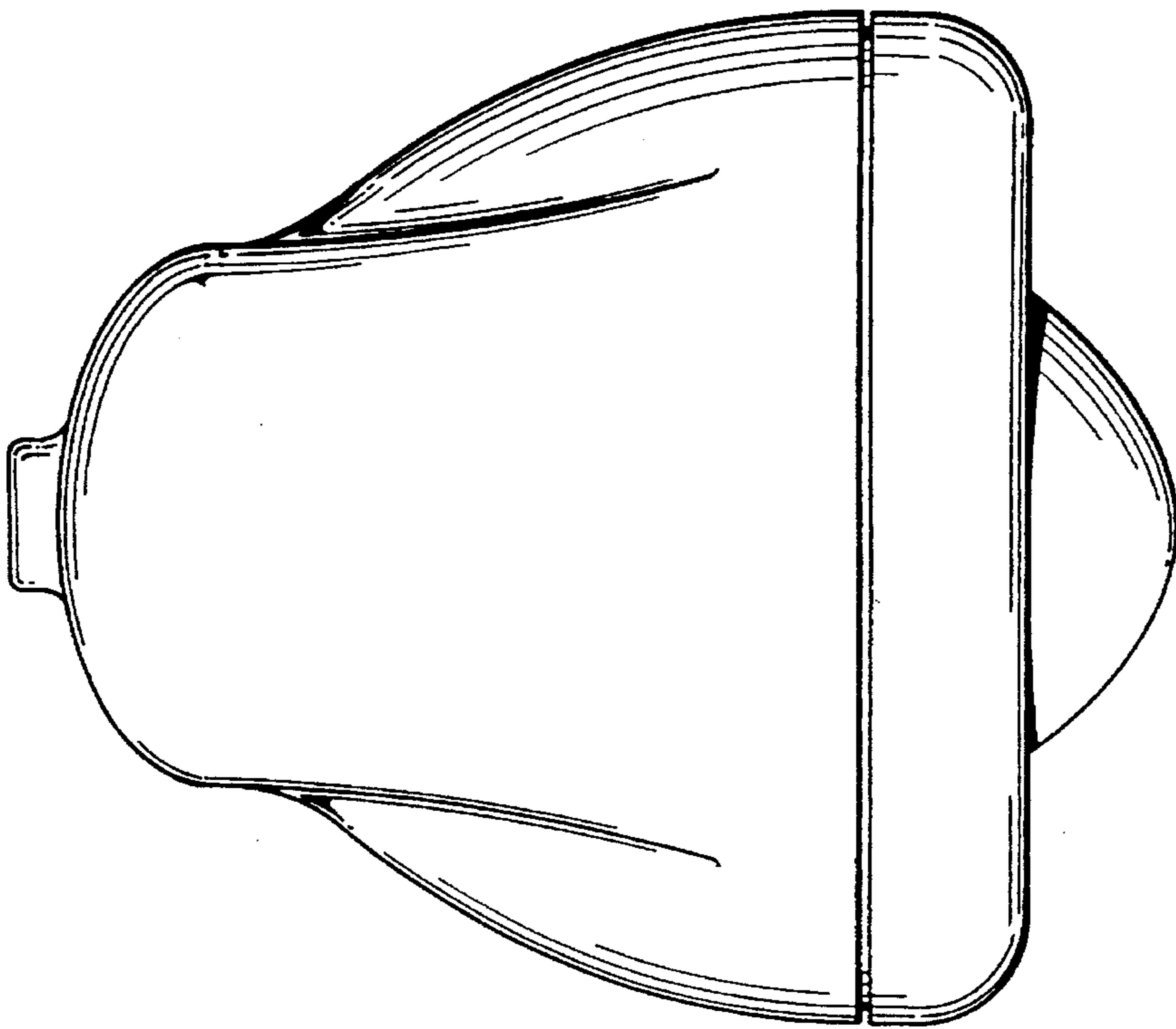


FIG. 6