



US00D376436S

**United States Patent** [19]  
**Emmerling**

[11] **Patent Number: Des. 376,436**  
[45] **Date of Patent: \*\*Dec. 10, 1996**

[54] **NIGHT LIGHT**

4,549,250 10/1985 Spector ..... 362/226 X

[75] Inventor: **Ronald A. Emmerling**, Glen Ridge, N.J.

*Primary Examiner*—Susan J. Lucas  
*Attorney, Agent, or Firm*—Hedman, Gibson & Costigan, P.C.

[73] Assignee: **American Tack & Hardware Co., Inc.**, Monsey, N.Y.

[57] **CLAIM**

[\*\*] Term: **14 Years**

The ornamental design for a night light, as shown and described.

[21] Appl. No.: **52,829**

**DESCRIPTION**

[22] Filed: **Apr. 8, 1996**

[52] U.S. Cl. .... **D26/26; D26/72**

[58] Field of Search ..... **D26/72, 80-92, D26/26, 37, 39, 118; 362/226, 147, 432**

FIG. 1 is a front perspective view of a night light according to my design;  
FIG. 2 is a front view of my design;  
FIG. 3 is a back view of my design;  
FIG. 4 is a bottom view of my design which is a mirror image of the top view of my design; and,  
FIG. 5 is a right side view of my design which is a mirror image of the left side of my design.

[56] **References Cited**

**U.S. PATENT DOCUMENTS**

D. 352,564 11/1994 Marischen ..... D26/26  
3,061,716 10/1962 Benander ..... 362/226

**1 Claim, 1 Drawing Sheet**

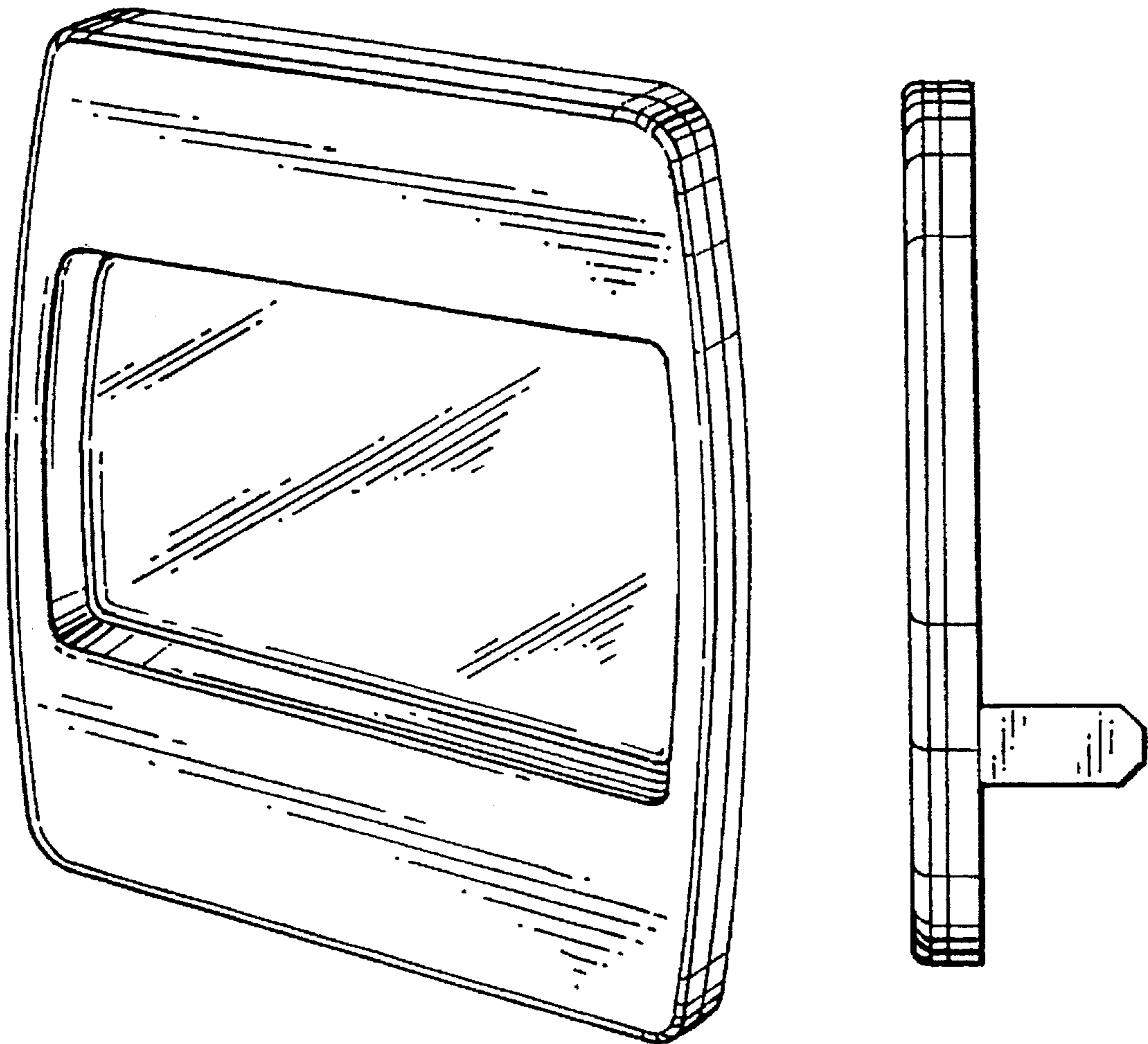


FIG.1

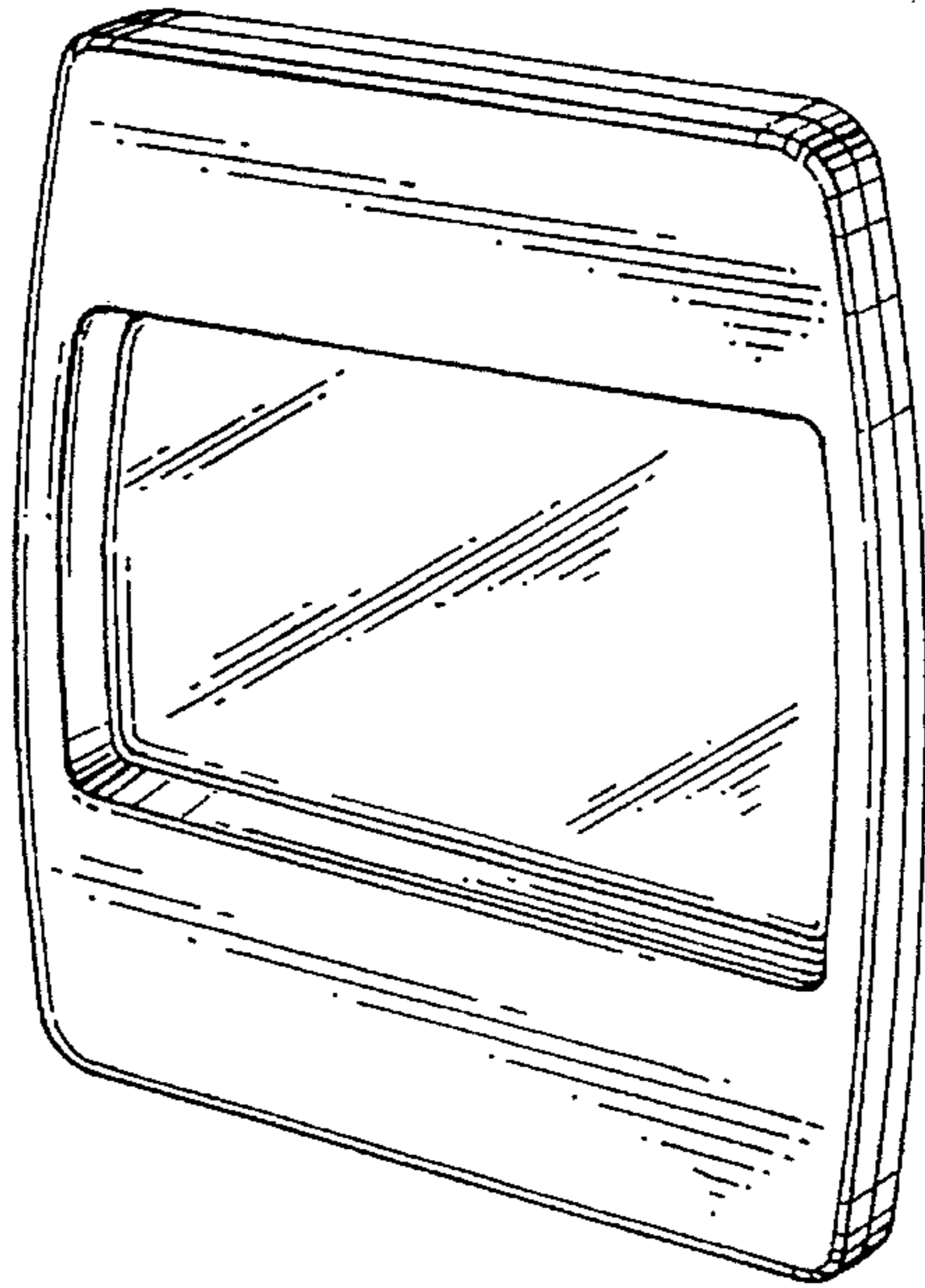


FIG.5

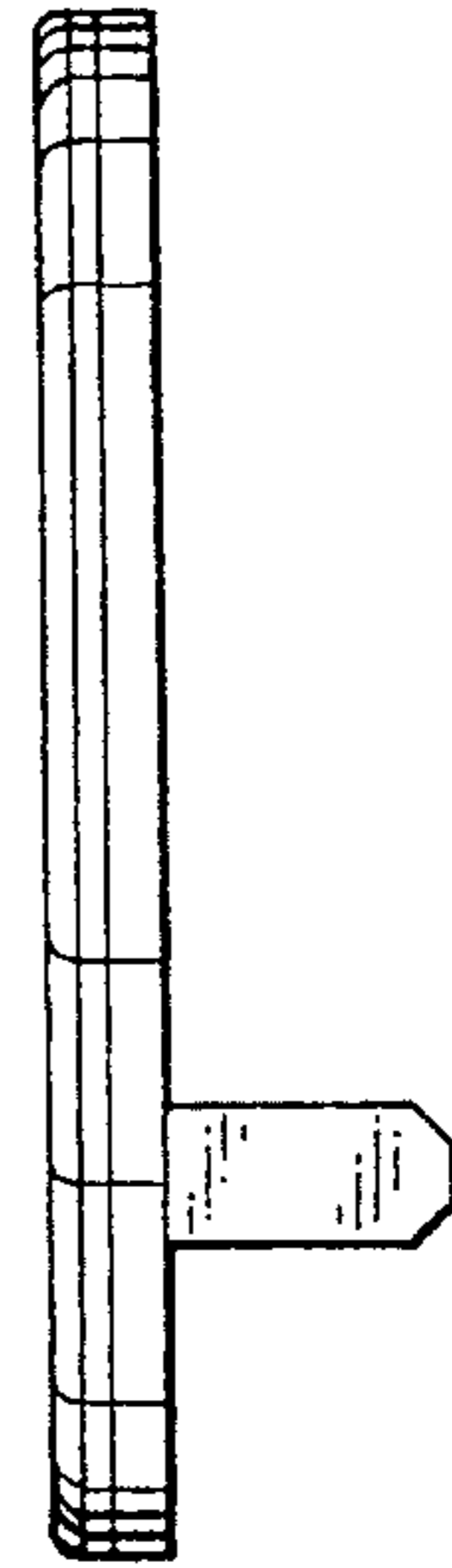


FIG.2

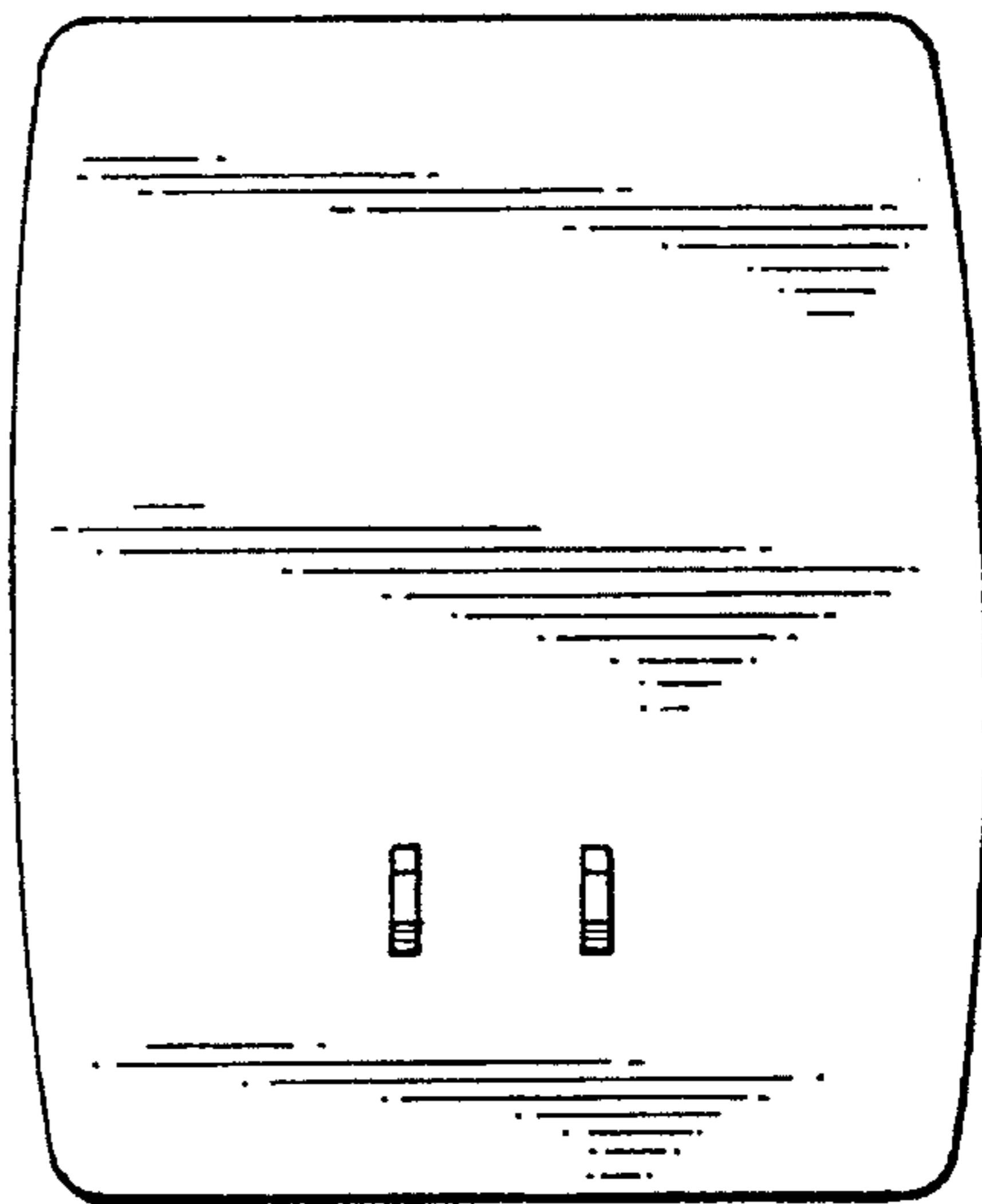
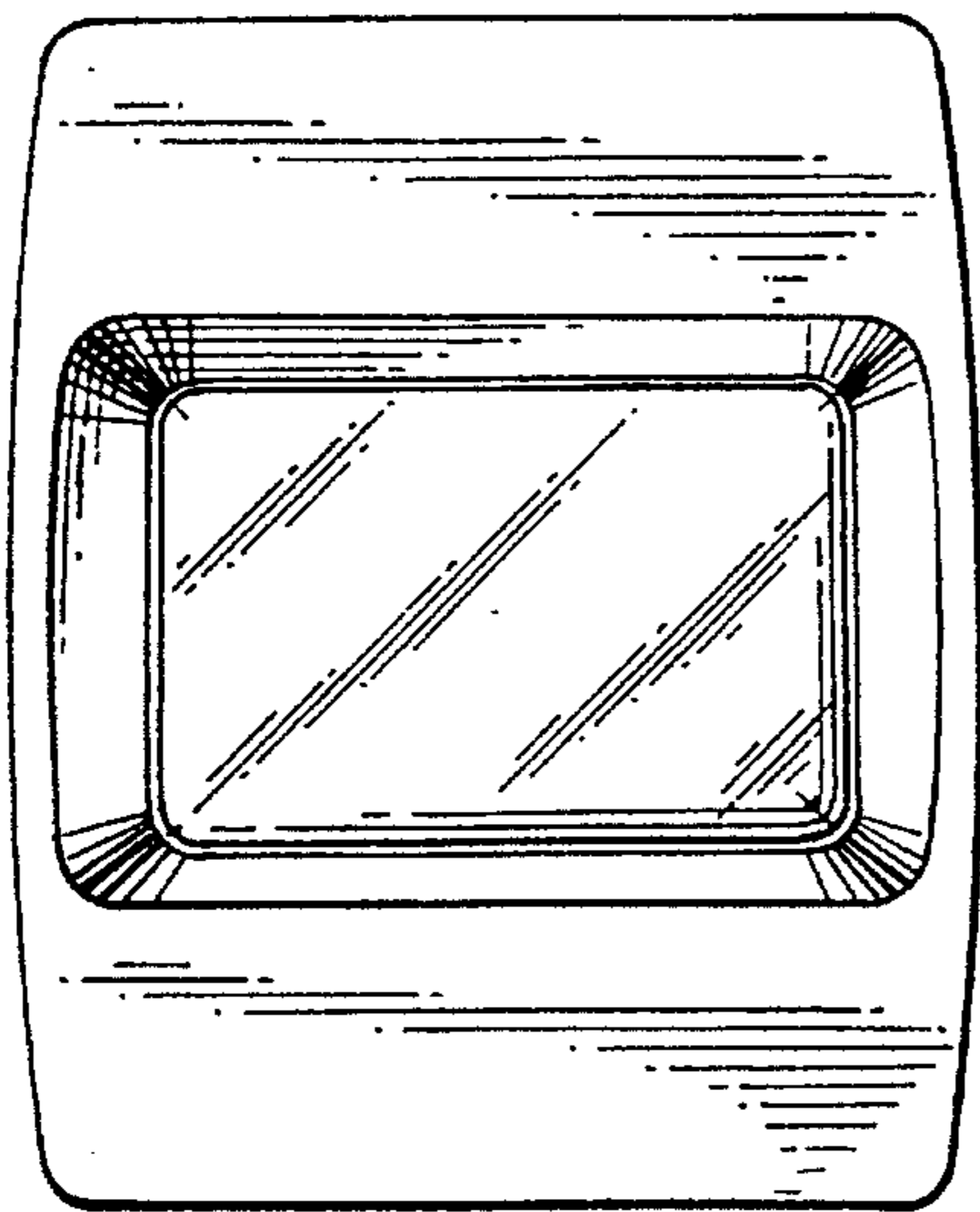


FIG.3

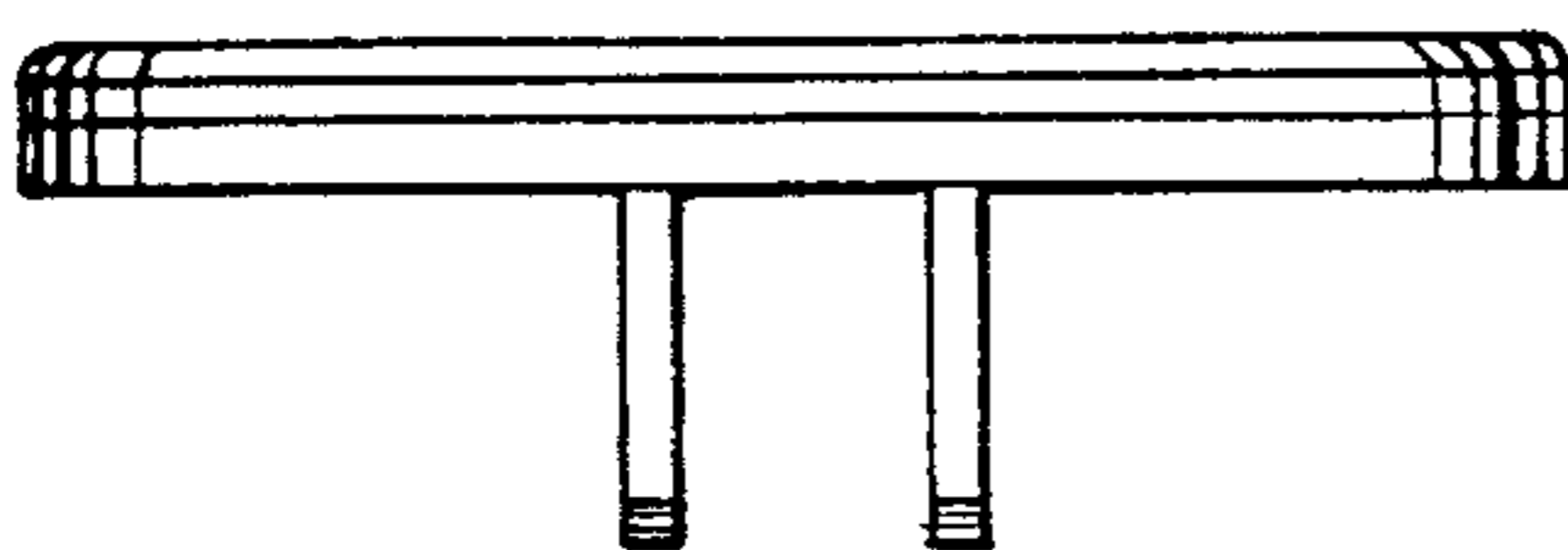


FIG.4