



US00D376431S

**United States Patent** [19]

[11] **Patent Number: Des. 376,431**

**Roach**

[45] **Date of Patent: \*\*Dec. 10, 1996**

[54] **BABY BOTTLE**

4,917,252 4/1990 Chambers et al. .

[76] Inventor: **Victoria Roach**, 3812 Vermont Ave.,  
Louisville, Ky. 40211

*Primary Examiner*—Stella Reid  
*Attorney, Agent, or Firm*—Middleton & Reutlinger; David  
W. Carrithers

[\*\*] Term: **14 Years**

[57] **CLAIM**

[21] Appl. No.: **45,798**

The ornamental design for a baby bottle, as shown and  
described.

[22] Filed: **Oct. 30, 1995**

[52] U.S. Cl. .... **D24/197**

[58] Field of Search ..... D24/197; 215/11.1,  
215/1.2, 11.3, 11.4, 11.5, 11.6

**DESCRIPTION**

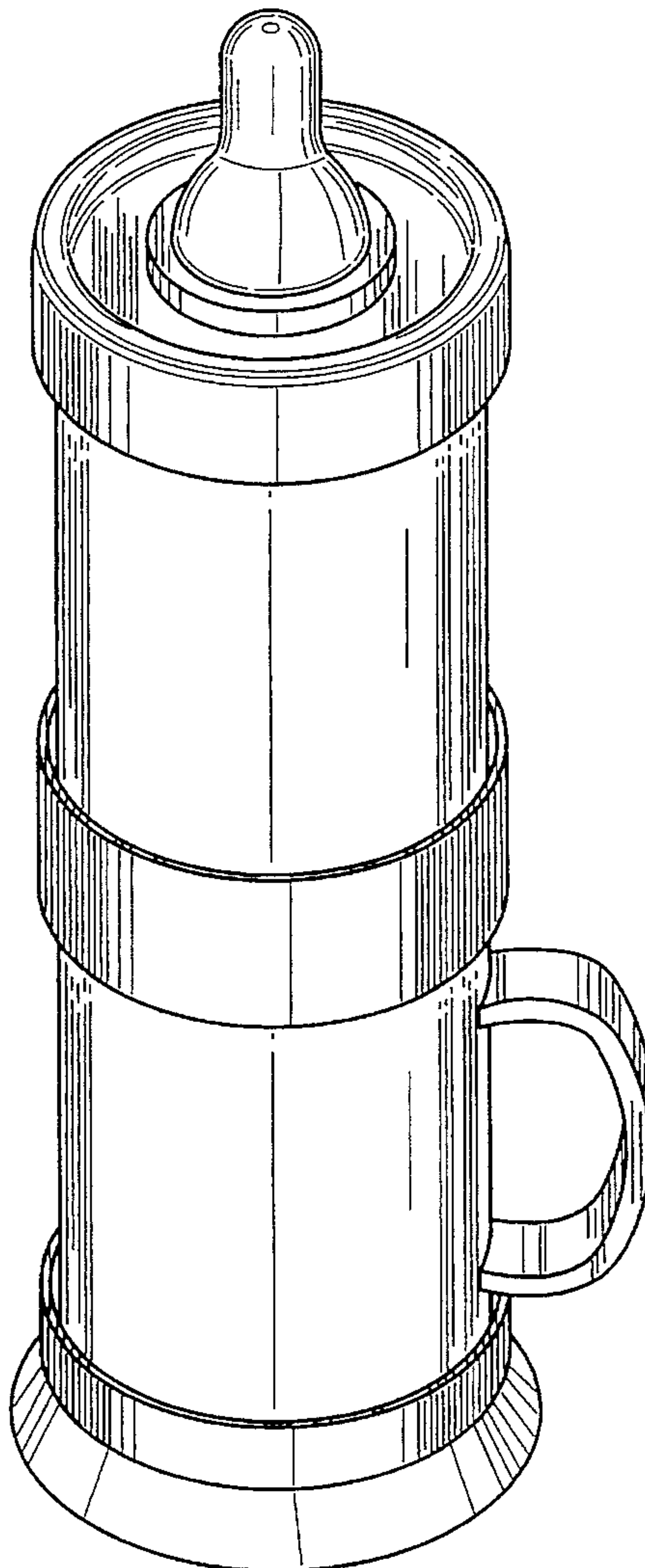
[56] **References Cited**

**U.S. PATENT DOCUMENTS**

D. 321,936	11/1991	Donovan	.....	D24/197
D. 327,818	9/1992	Haralson et al.	.....	D24/197 X
D. 346,932	5/1994	Cautereels et al.	.....	D24/197 X
3,243,069	3/1966	Duerme	.....	215/11.1
4,703,863	11/1987	Kokas .		
4,778,068	10/1988	Kokas .		
4,821,896	4/1989	Cheng .		
4,828,126	5/1989	Vinciguerra .		

FIG. 1 is a perspective view of a baby bottle made in  
accordance with my design;  
FIG. 2 is top plan view thereof;  
FIG. 3 is a bottom plan view thereof;  
FIG. 4 is an elevational front view thereof;  
FIG. 5 is an elevational rear view thereof;  
FIG. 6 is a left side view thereof;  
FIG. 7 is a right side view thereof; and,  
FIG. 8 is a rear plan view showing a cap in phantom lines.  
The broken line showing of a top is for illustrative purposes  
only and forms no part of the claimed design.

**1 Claim, 4 Drawing Sheets**



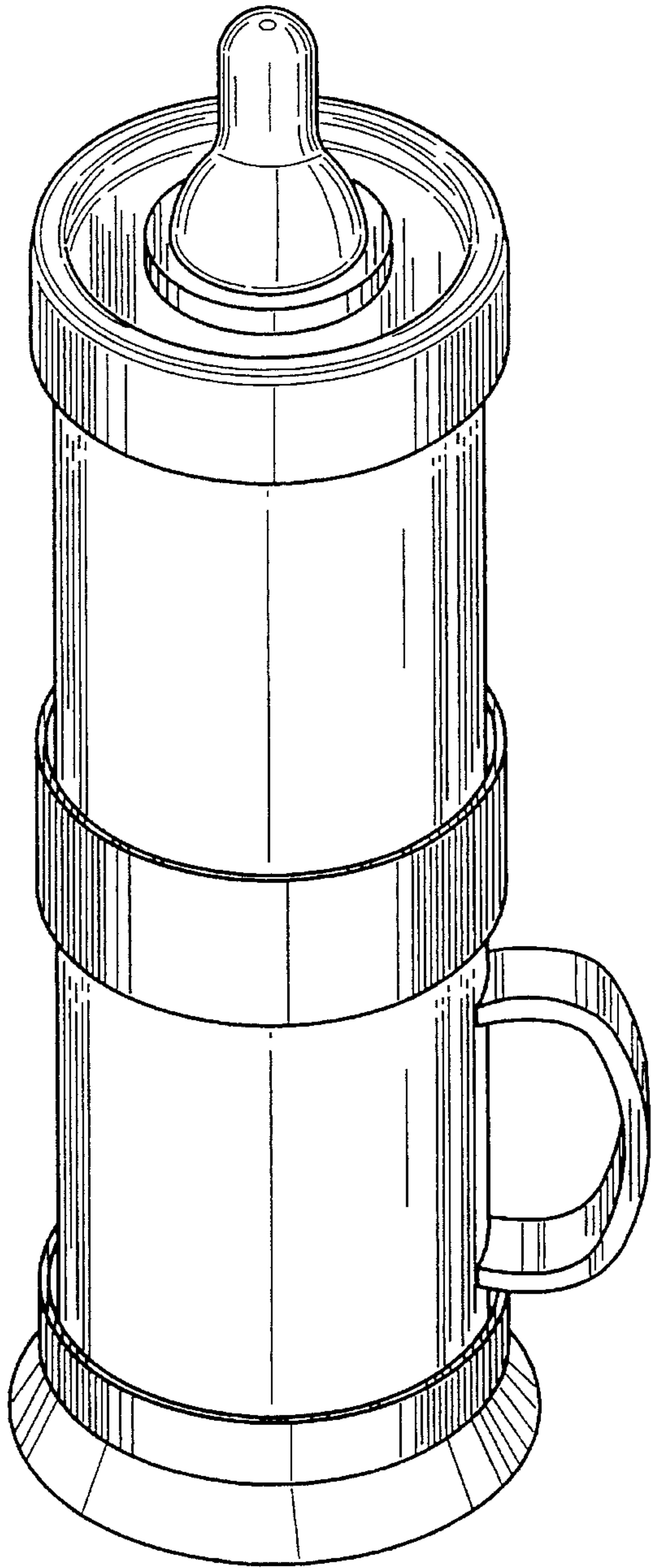


FIG. 1

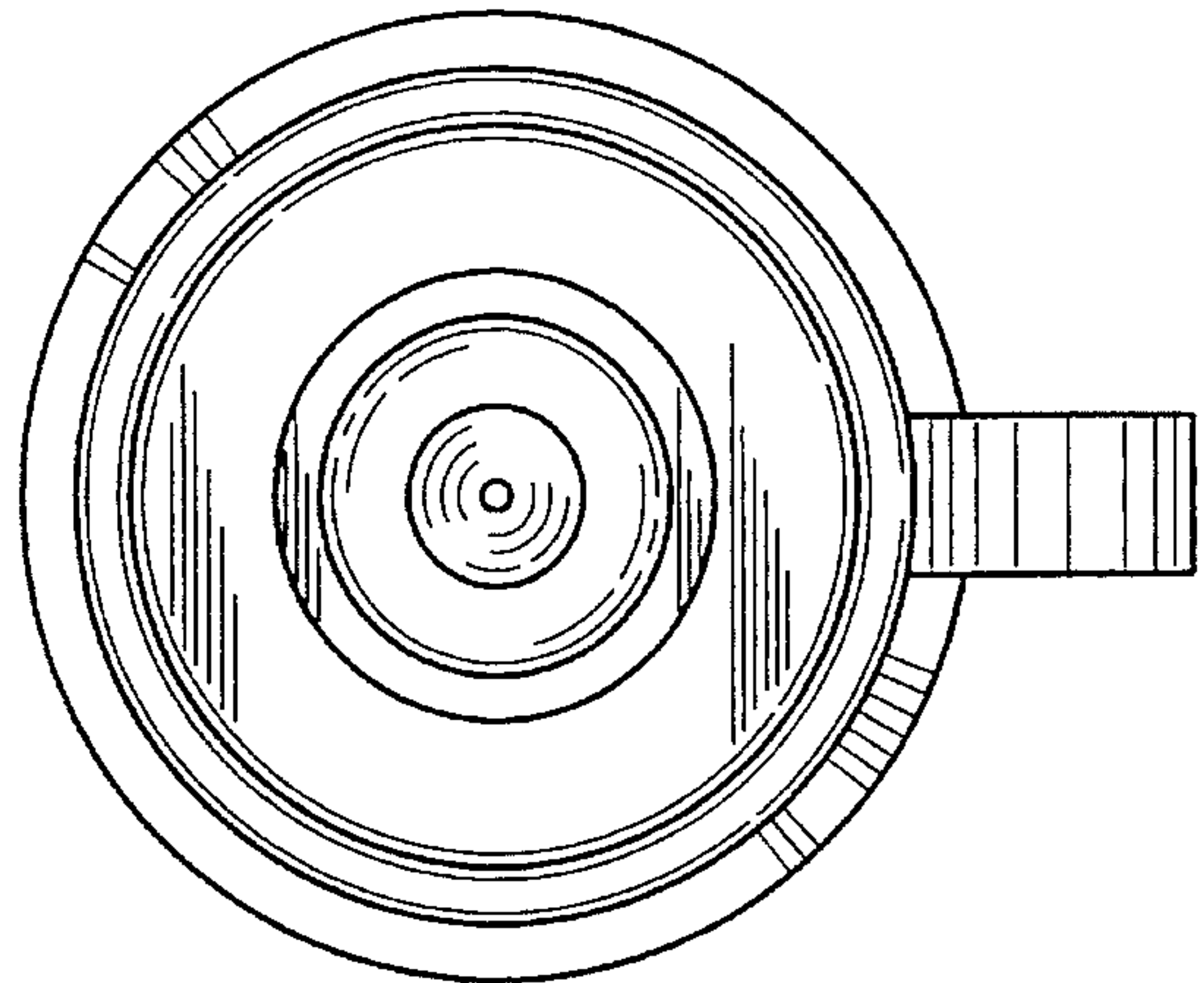


FIG. 2

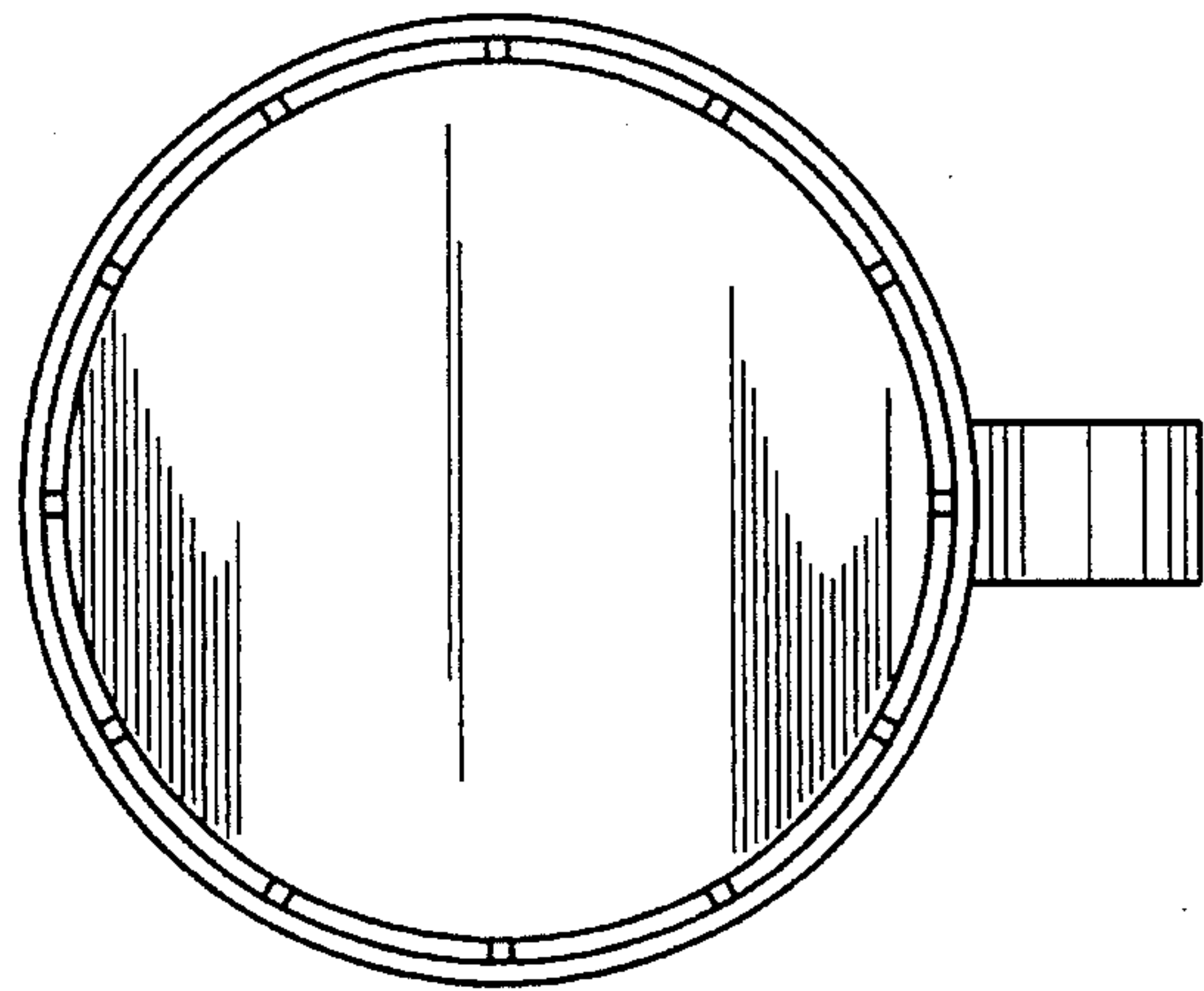


FIG. 3

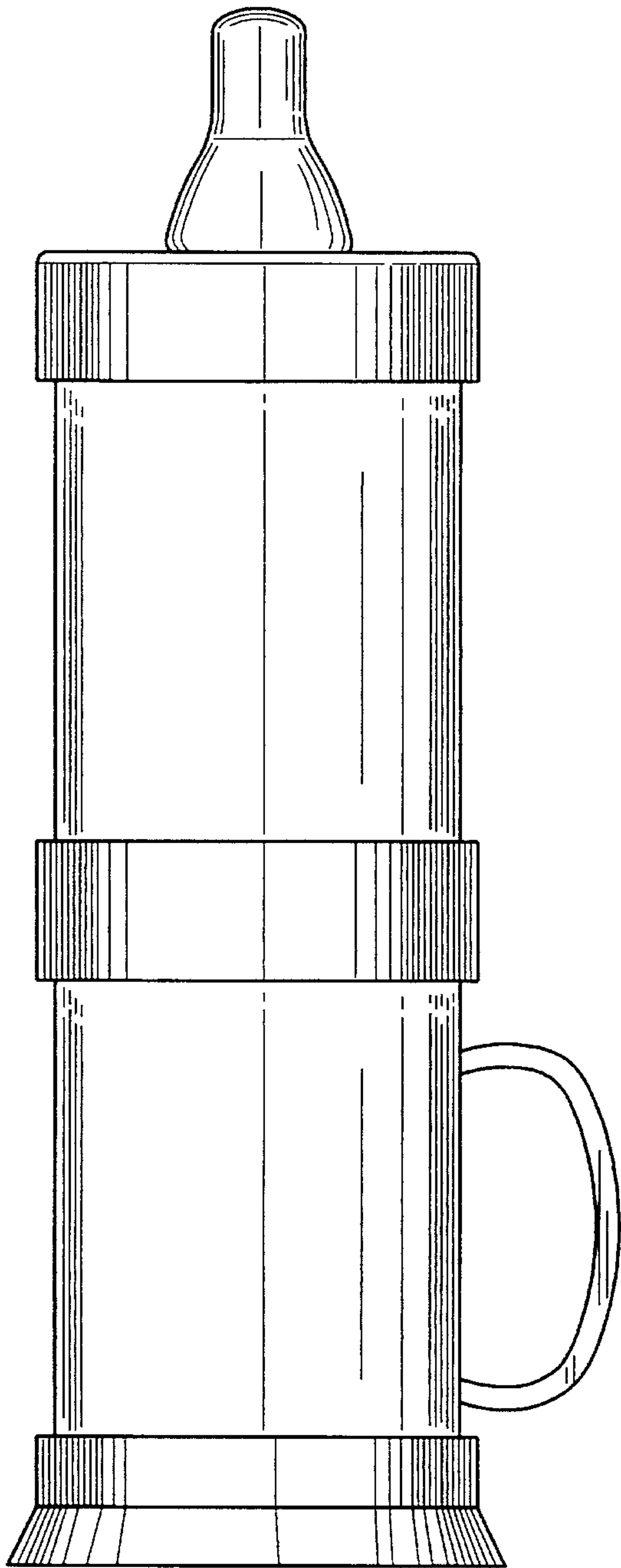


FIG. 4

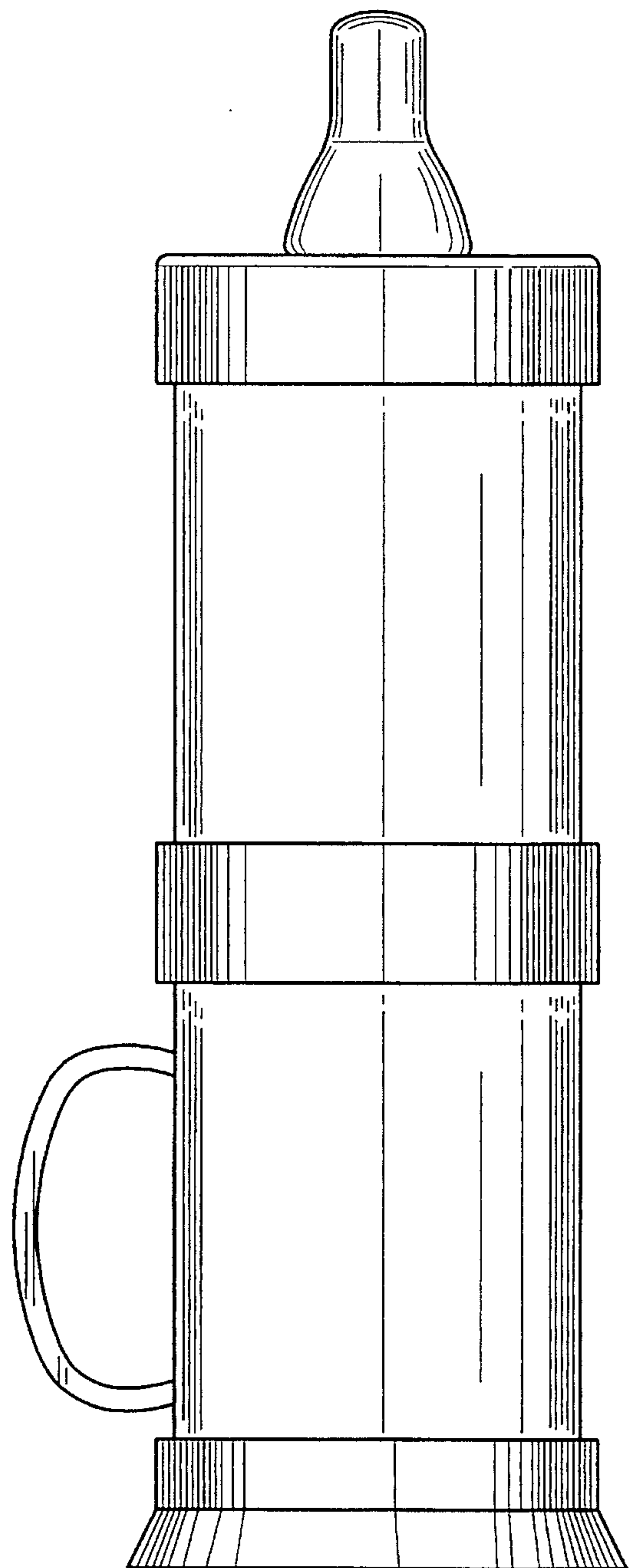


FIG. 5

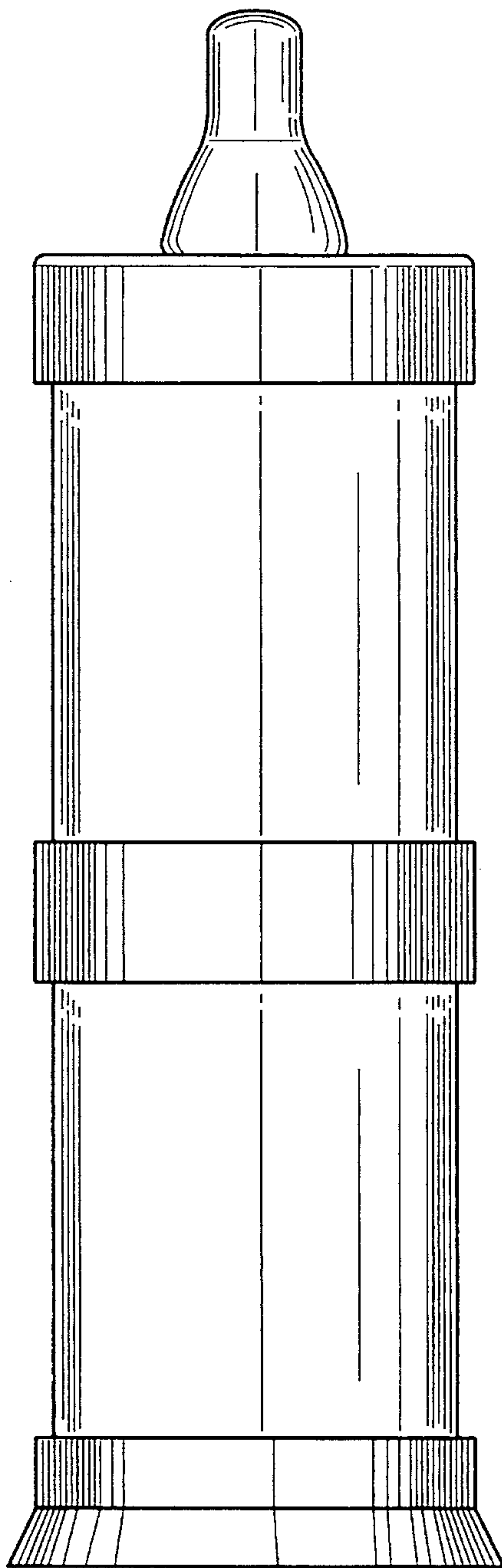


FIG. 6

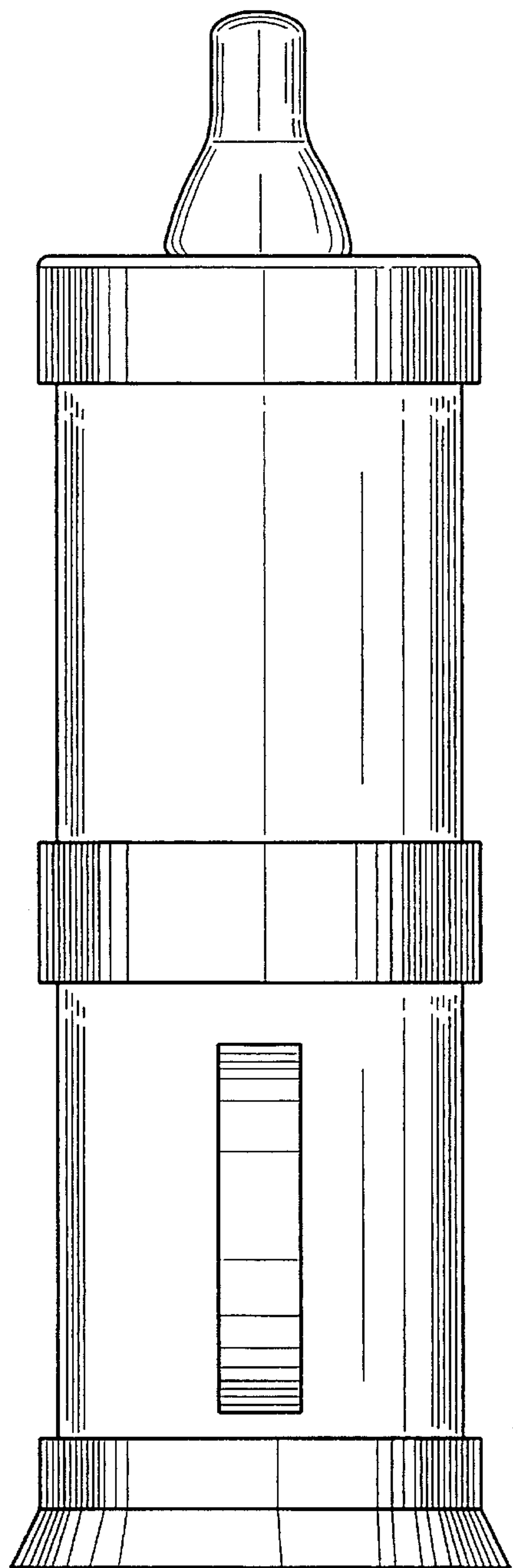


FIG. 7

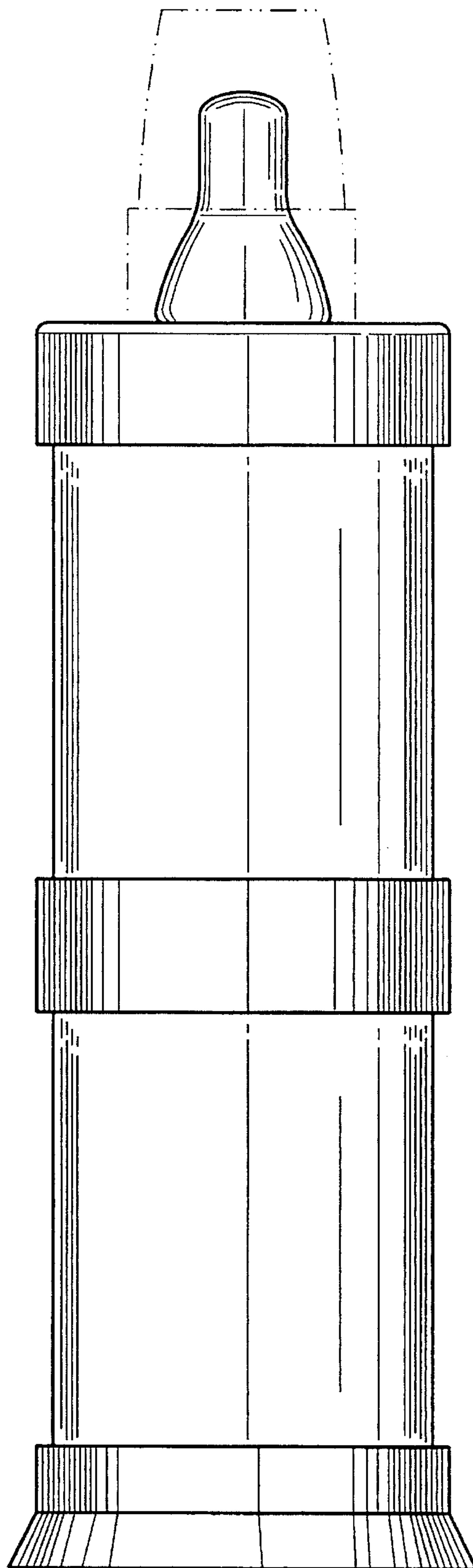


FIG. 8