



US00D376428S

# United States Patent [19]

[11] Patent Number: **Des. 376,428**

**Lipson et al.**

[45] Date of Patent: **\*\*Dec. 10, 1996**

[54] **PORTABLE LOWER LIMB SUPPORT**

1,904,363	4/1933	Ettinger .....	602/16
1,921,987	8/1933	Ettinger .....	602/16
5,000,168	3/1991	Lipson .....	602/20

[75] Inventors: **Walda B. Lipson**, White Plains; **Carl Yurdin**, Port Washington, both of N.Y.

[73] Assignee: **Equip For Independence, Inc.**, White Plains, N.Y.

*Primary Examiner*—Stella Reid  
*Attorney, Agent, or Firm*—Dorsey & Whitney LLP

[\*\*] Term: **14 Years**

[57] **CLAIM**

[21] Appl. No.: **30,706**

The ornamental design for a portable lower limb support, as shown and described.

[22] Filed: **Nov. 4, 1994**

**DESCRIPTION**

**Related U.S. Application Data**

[63] Continuation-in-part of Ser. No. 903,548, Jun. 23, 1992, Pat. No. Des. 361,383.

[52] U.S. Cl. .... **D24/183**

[58] Field of Search ..... D24/183, 184;  
128/845, 846; 602/16

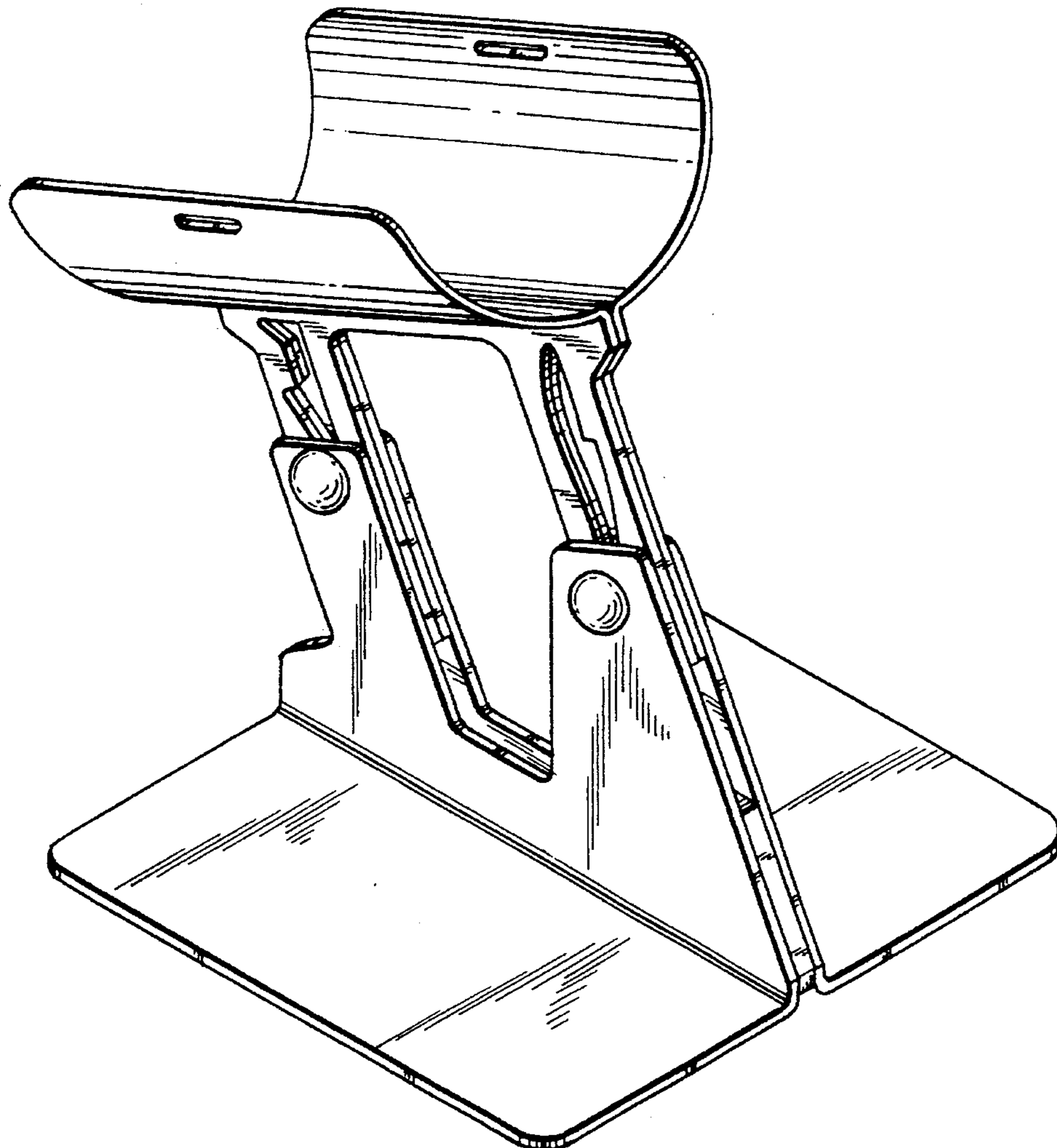
FIG. 1 is a right side elevation view thereof;  
FIG. 2 is a left side elevation view thereof;  
FIG. 3 is a front elevation view thereof;  
FIG. 4 is a back elevation view thereof;  
FIG. 5 is a top view thereof;  
FIG. 6 is a bottom view thereof; and,  
FIG. 7 is a perspective view thereof.

[56] **References Cited**

**U.S. PATENT DOCUMENTS**

D. 361,383 8/1995 Lipson et al. .... D24/183

**1 Claim, 4 Drawing Sheets**



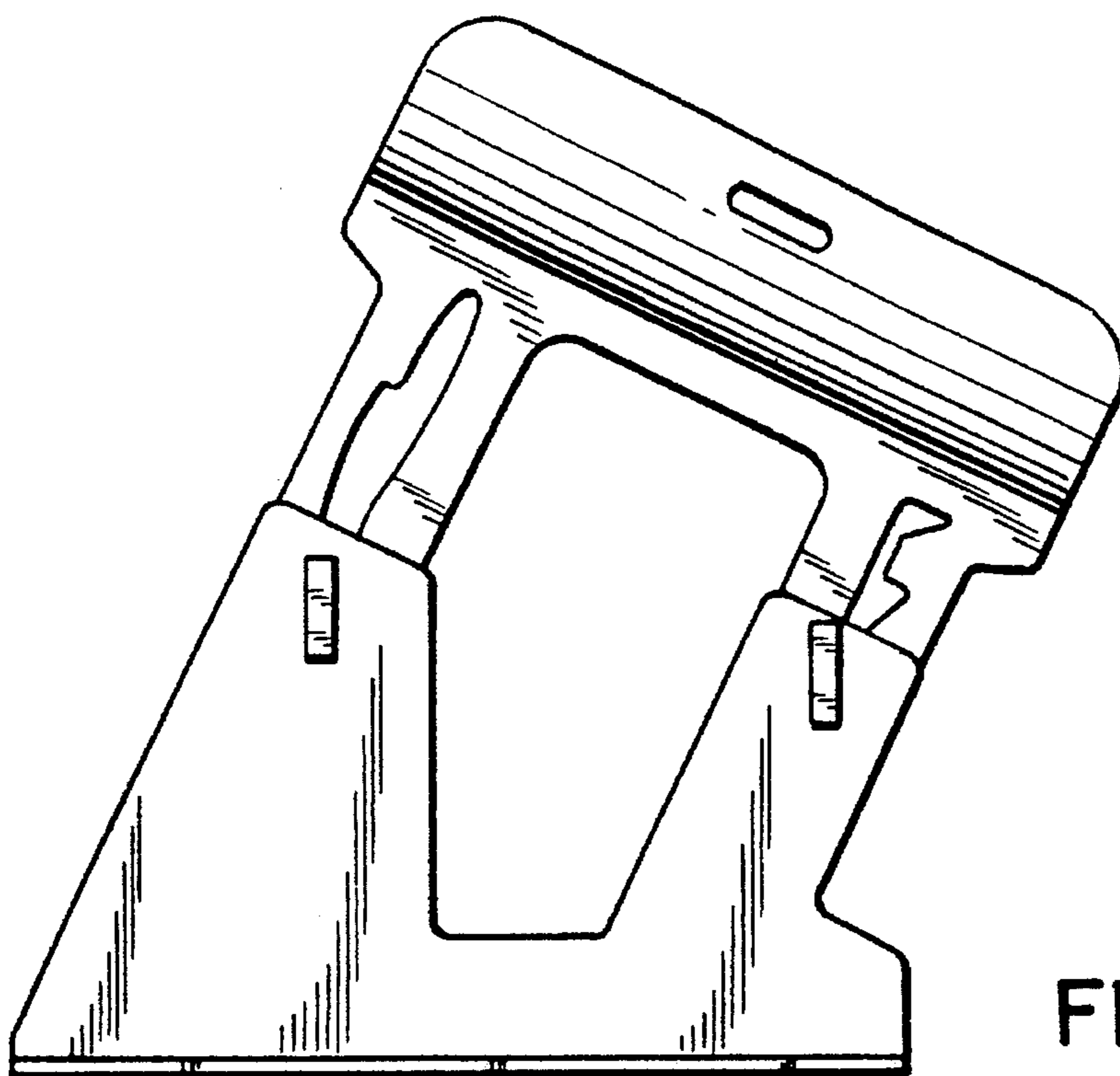


FIG. 1

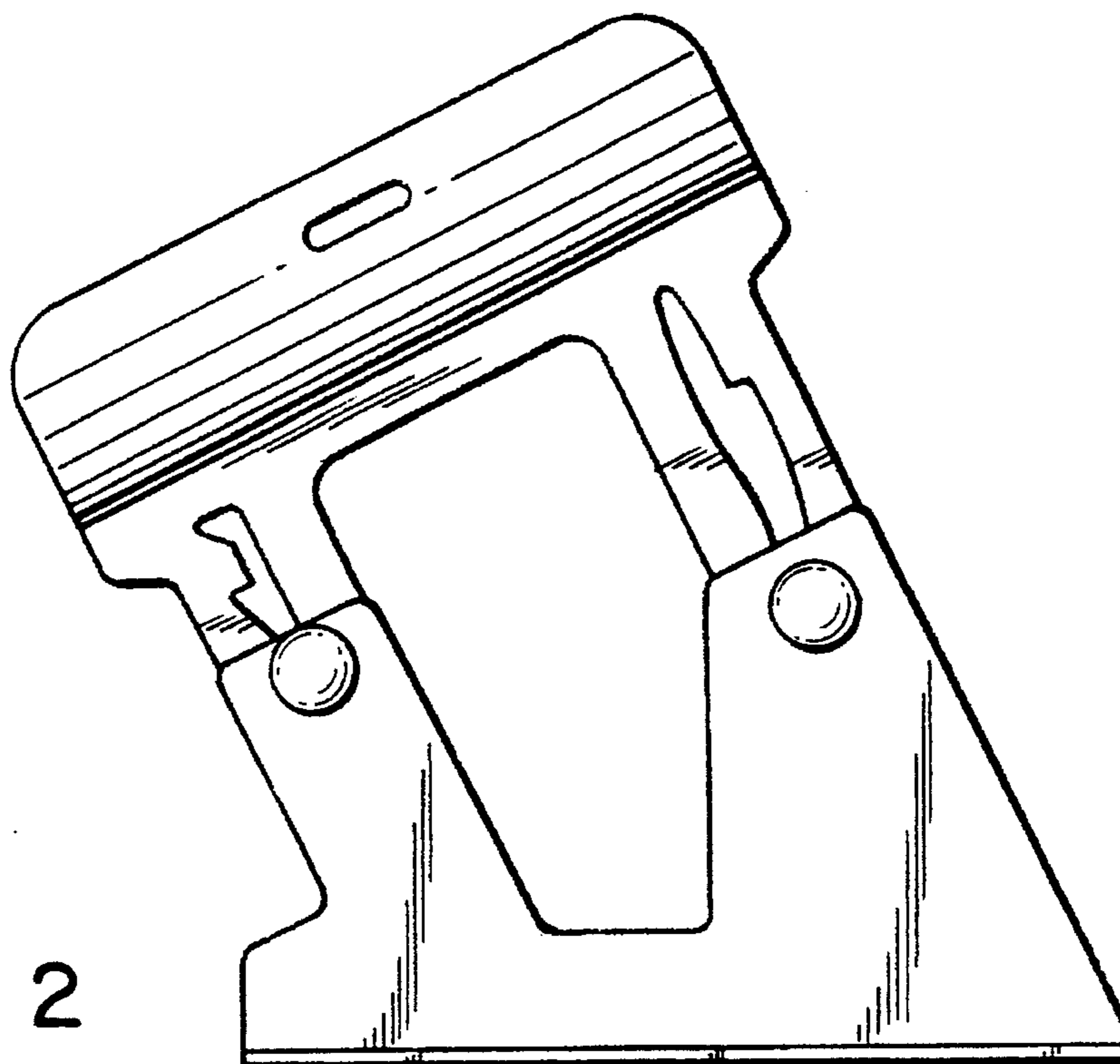


FIG. 2

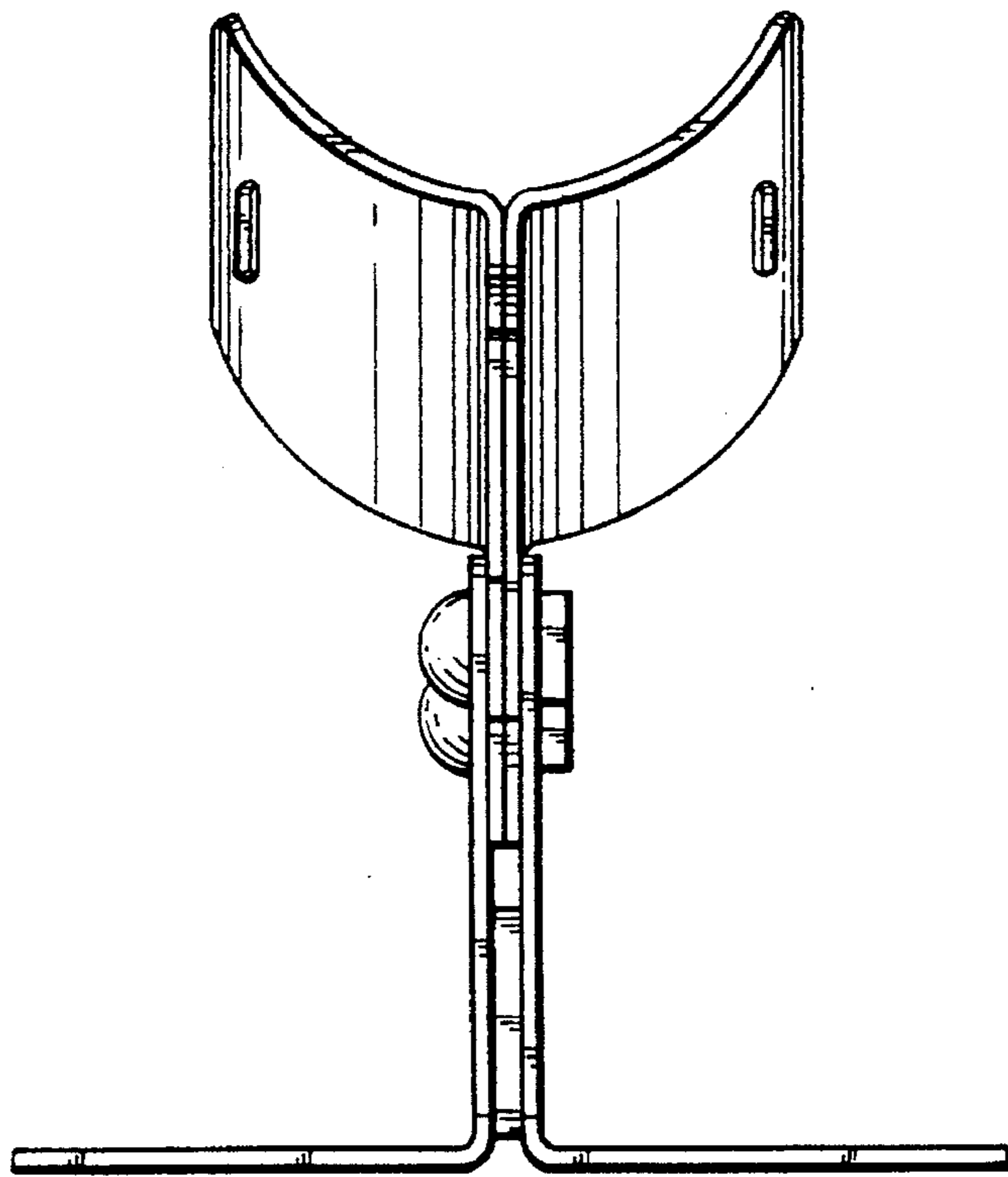


FIG. 3

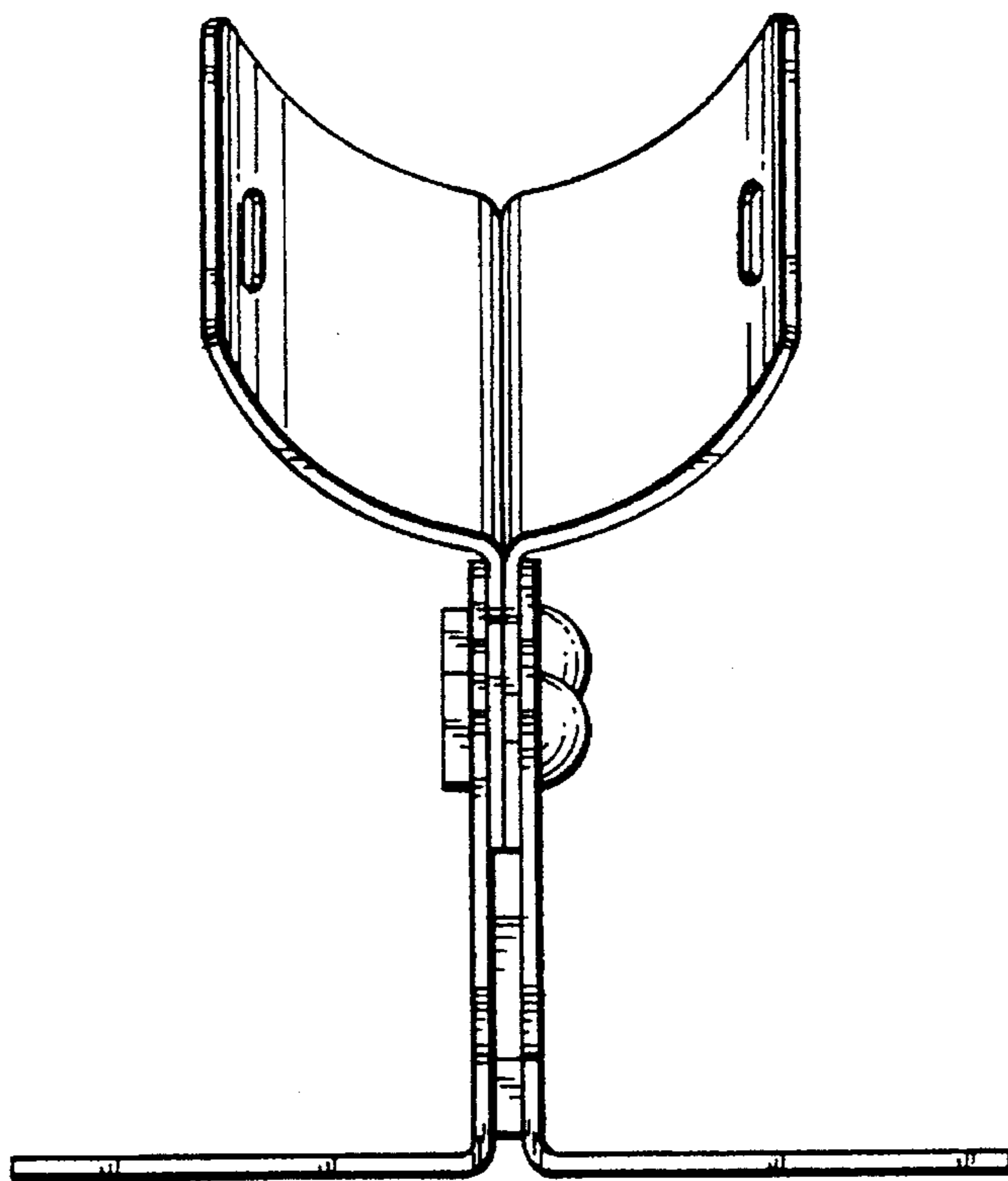


FIG. 4

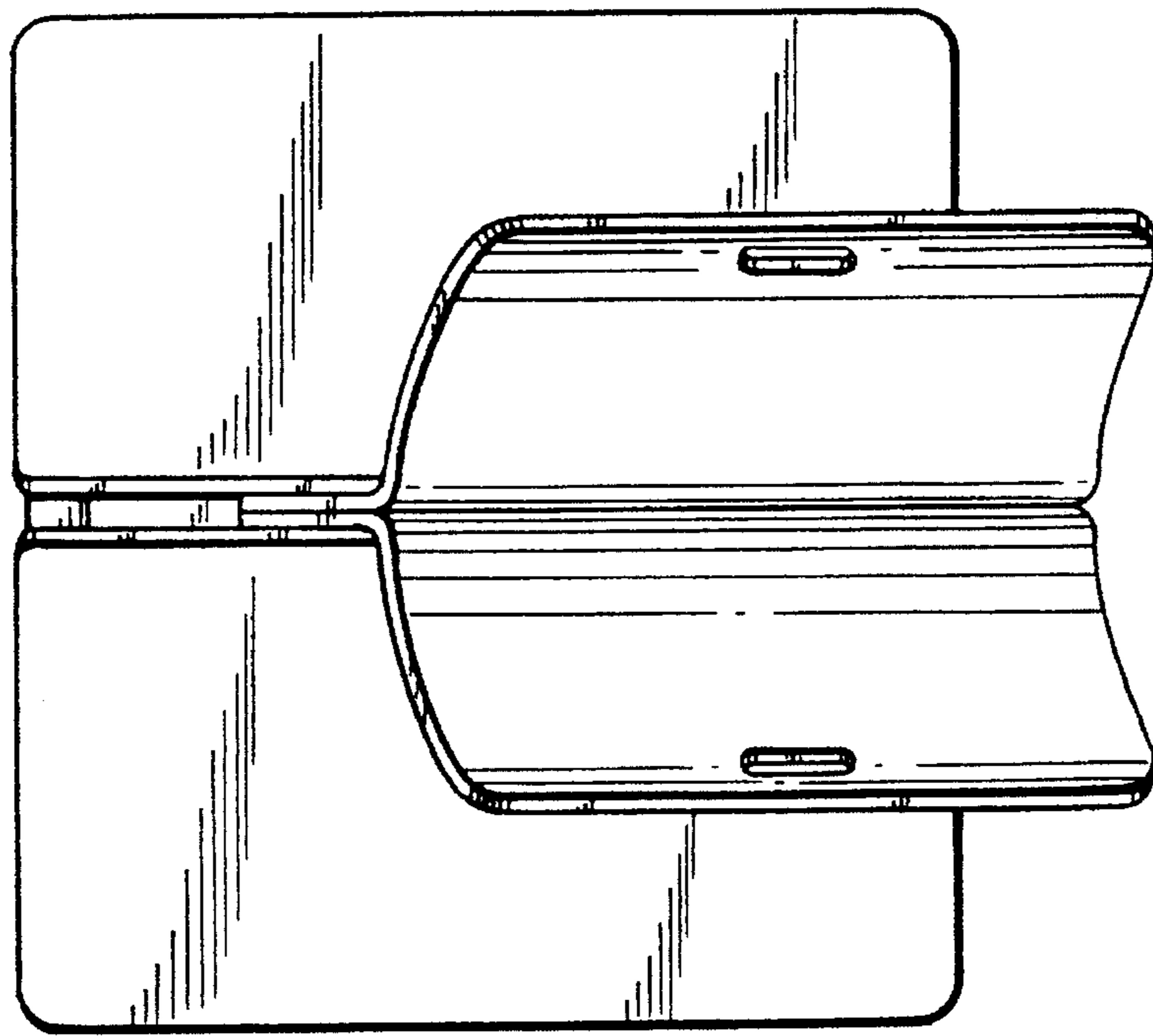


FIG. 5

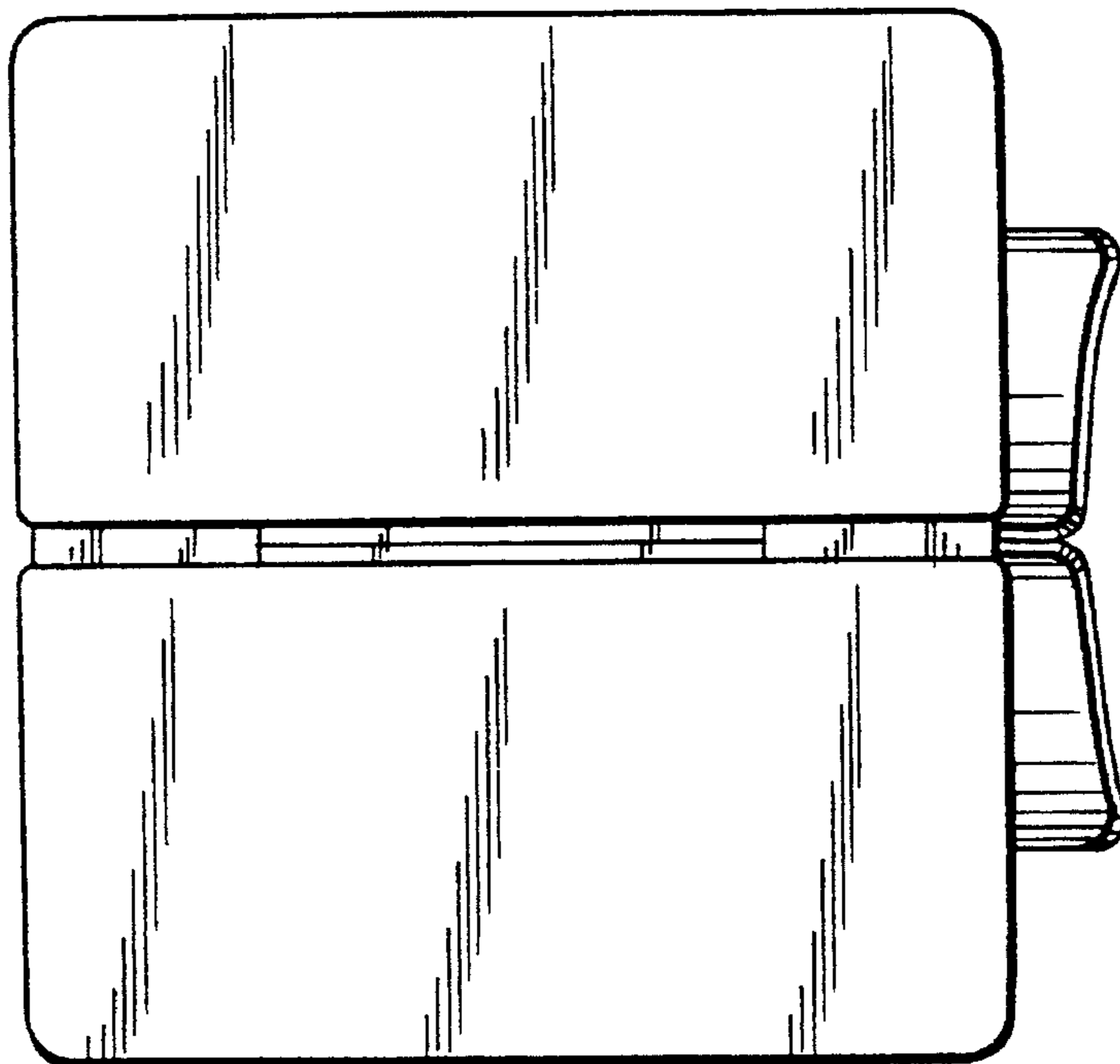


FIG. 6

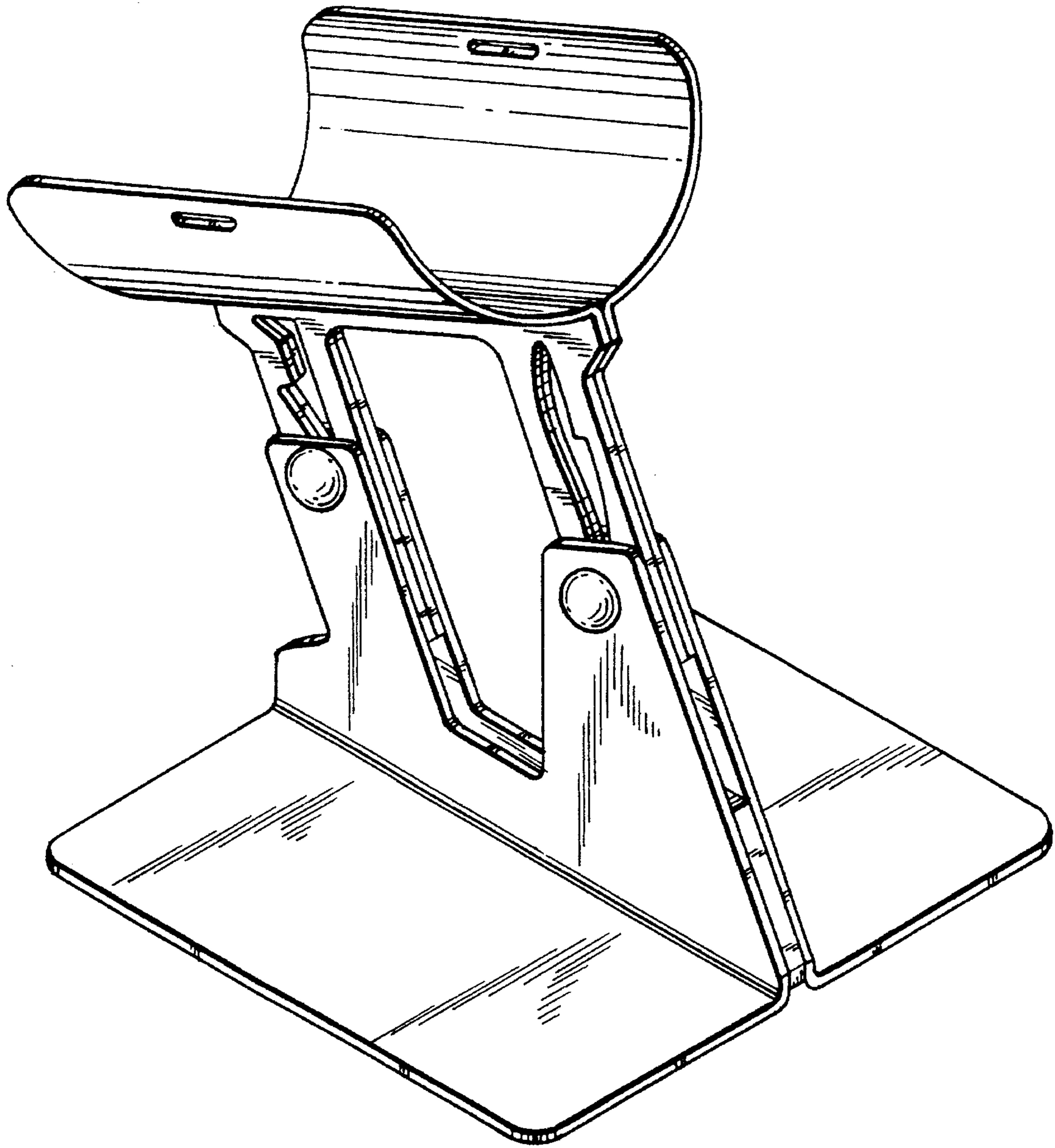


FIG. 7