



US00D376423S

United States Patent [19]

[11] Patent Number: **Des. 376,423**

Monea

[45] Date of Patent: ****Dec. 10, 1996**

[54] **THERAPEUTIC ELECTRICAL STIMULATOR**

[76] Inventor: **Paul M. Monea**, 2717 S. Arlington Rd.
Ste. E, Akron, Ohio 44312

[*] Notice: The portion of the term of this patent subsequent to Feb. 14, 2009, has been disclaimed.

[**] Term: **14 Years**

[21] Appl. No.: **34,735**

[22] Filed: **Feb. 10, 1995**

D. 355,491	2/1995	Monea	D24/200
666,431	1/1901	Mead	607/150 X
2,678,647	5/1954	Bruger	D24/114 X
5,251,637	10/1993	Shalvi	128/735
5,385,530	1/1995	Wu	601/21

FOREIGN PATENT DOCUMENTS

2256750	8/1975	France	601/21
94027554	12/1994	WIPO	128/735

Primary Examiner—Louis S. Zarfaz
Assistant Examiner—Frank Martinez
Attorney, Agent, or Firm—Oldham & Oldham Co LPA

[57] CLAIM

The ornamental design for a therapeutic electrical stimulator, as shown and described.

DESCRIPTION

FIG. 1 is a frontal elevational view of a new design for a therapeutic electrical stimulator, the rear elevational view being a mirror image thereof;
FIG. 2 is a side elevational view, the opposite side elevational view being a mirror image thereof;
FIG. 3 is a top view; and,
FIG. 4 is a bottom view.

Related U.S. Application Data

[63] Continuation-in-part of Ser. No. 9,397, Jun. 11, 1993, Pat. No. Des. 355,491.

[52] U.S. Cl. **D24/114**

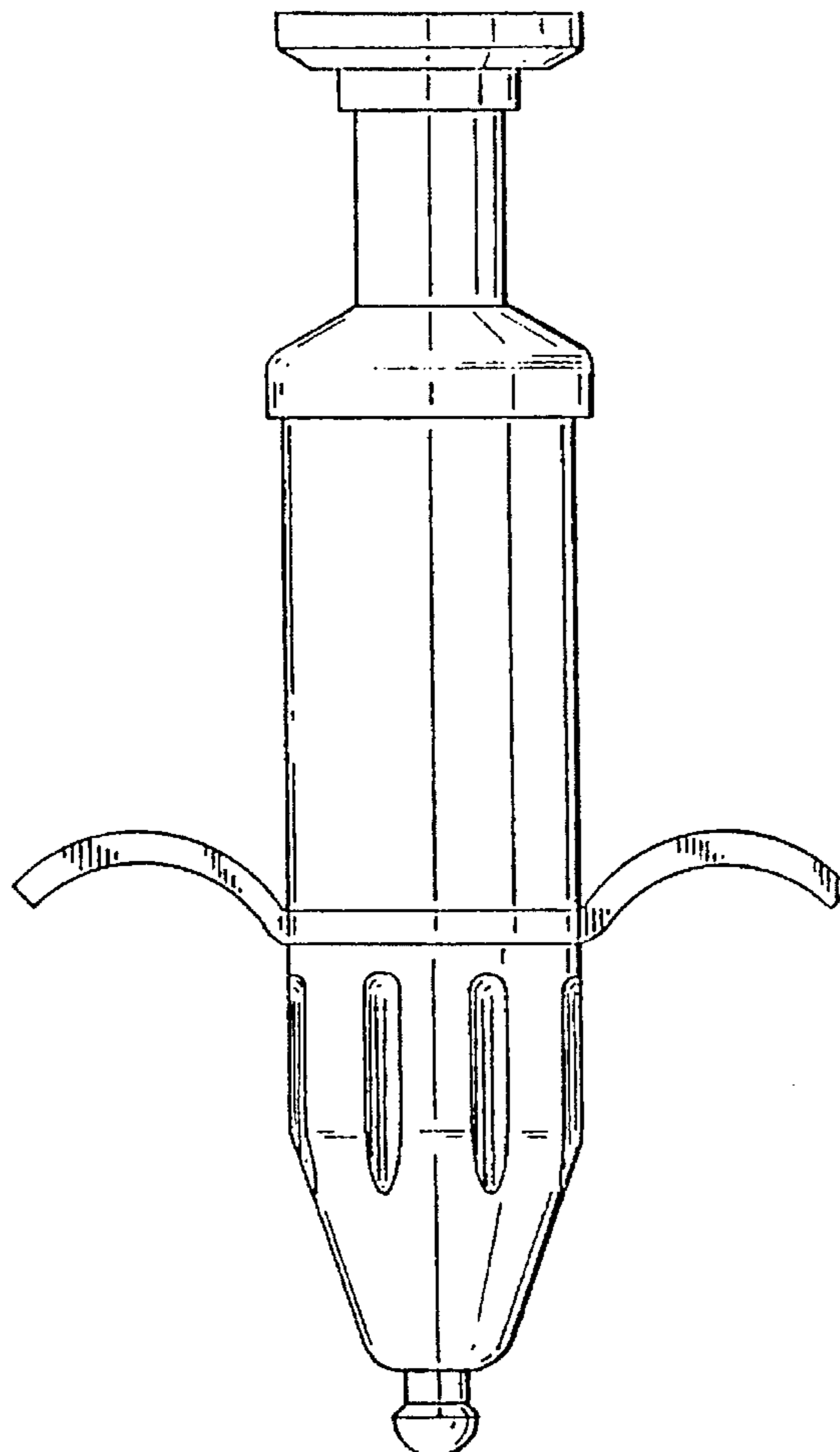
[58] Field of Search D24/144, 114,
D24/170, 200; 607/150, 75; 600/13; 128/735,
141; 601/21, 80; 606/29, 30, 31; 604/70

References Cited

U.S. PATENT DOCUMENTS

D. 281,721 12/1985 Scanlan D24/114 X

1 Claim, 1 Drawing Sheet



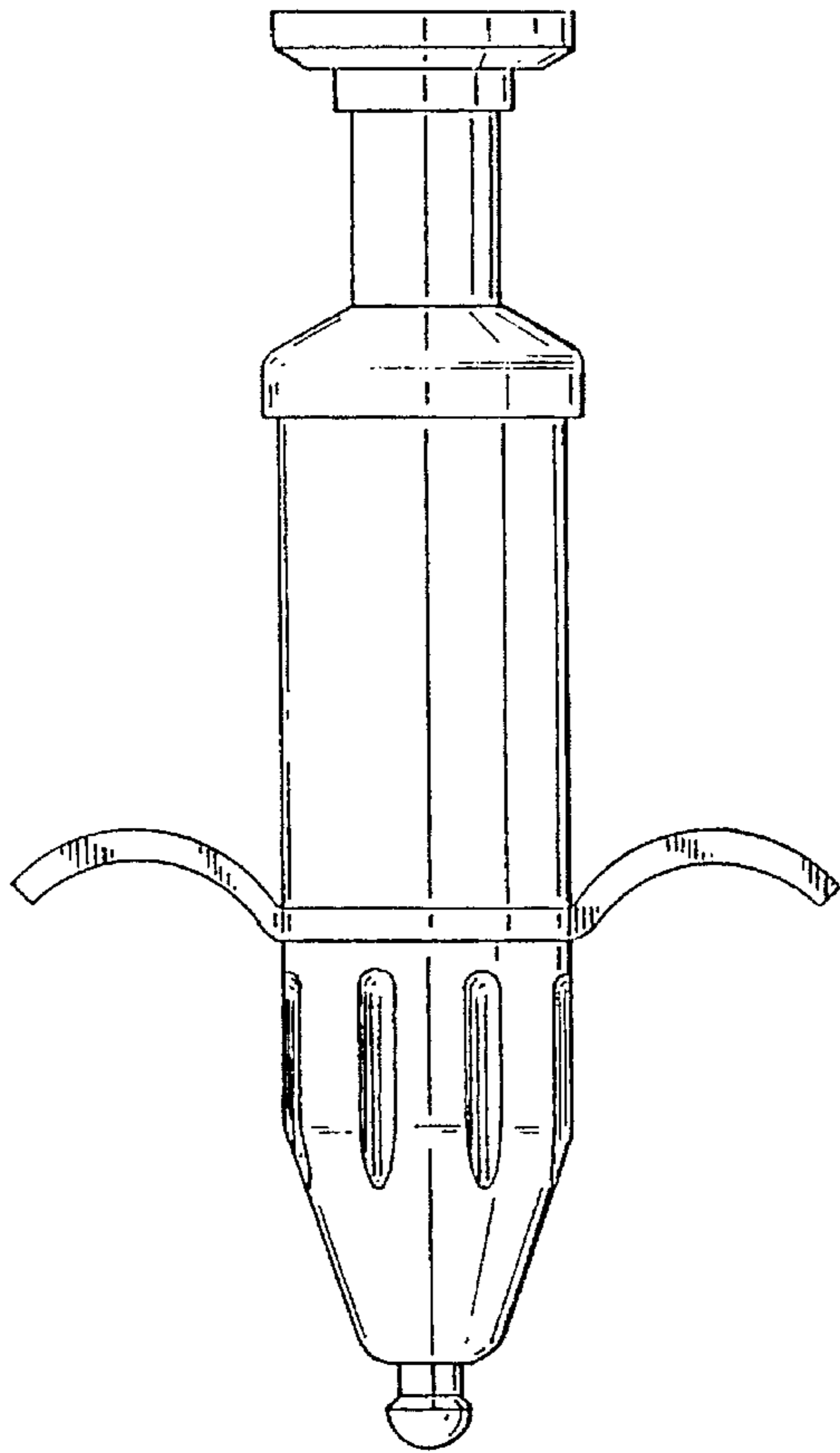


FIG 1

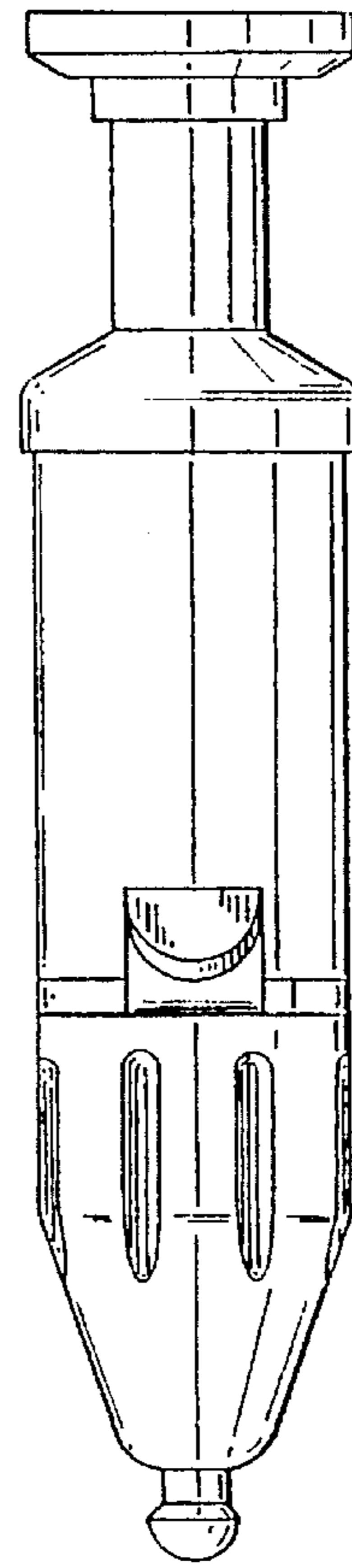


FIG 2

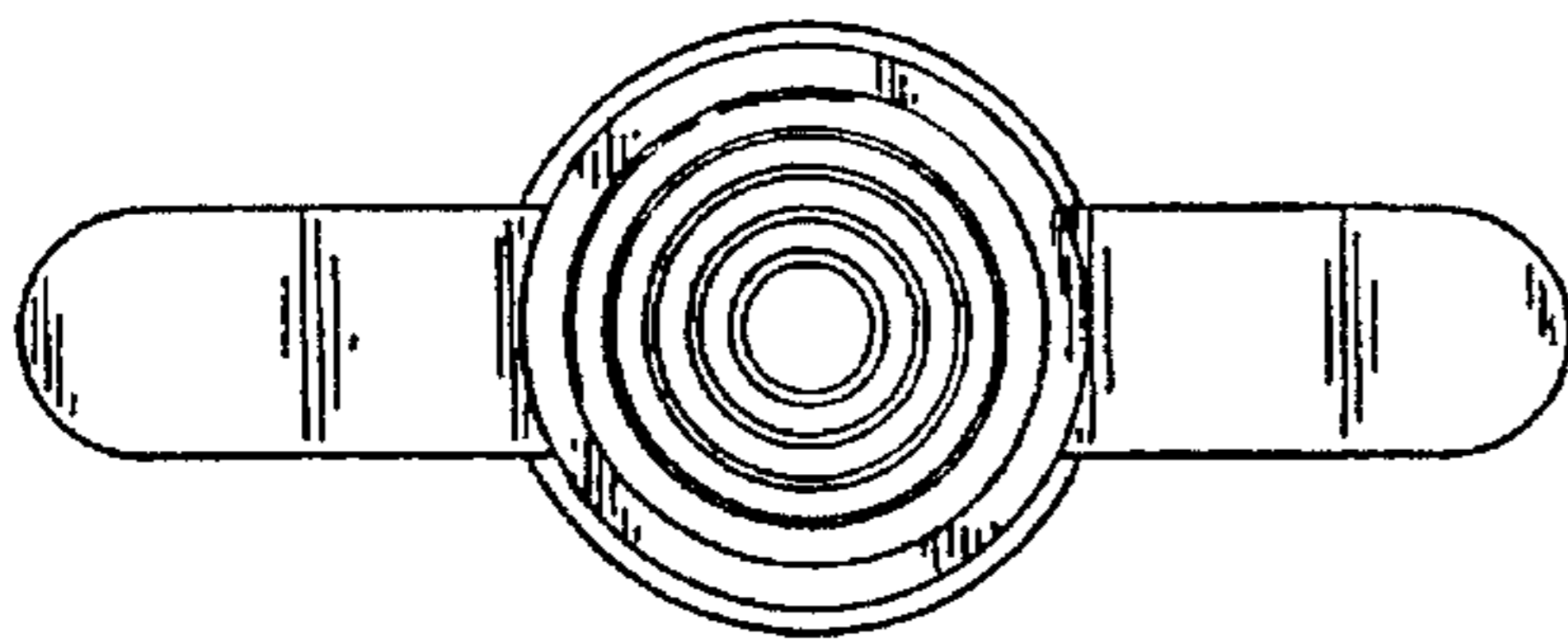


FIG 3

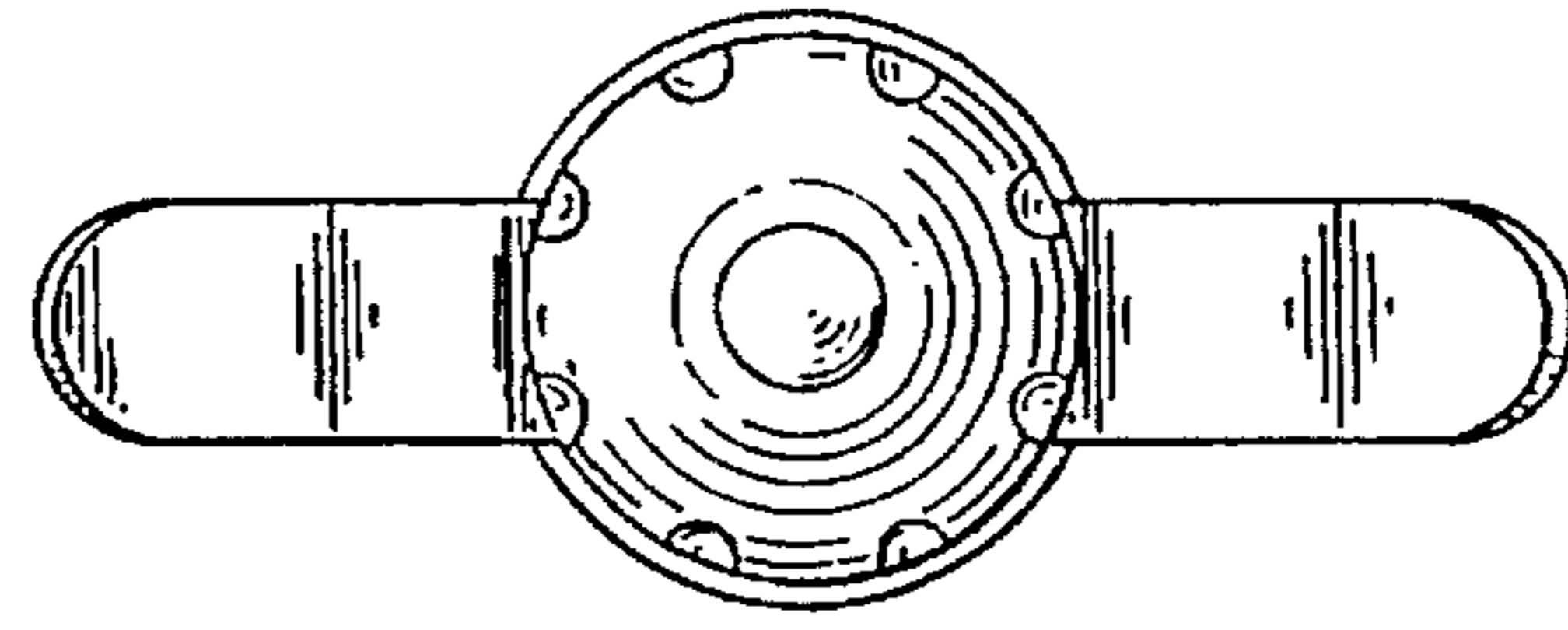


FIG 4