



US00D376422S

United States Patent [19]

[11] **Patent Number: Des. 376,422**

Bailey

[45] **Date of Patent: **Dec. 10, 1996**

[54] **DENTAL PROPHYLAXIS ANGLE**

Primary Examiner—Kay H. Chin

[75] **Inventor: Ronald L. Bailey, St. Charles, Mo.**

Attorney, Agent, or Firm—Polster, Lieder, Woodruff & Lucchesi

[73] **Assignee: Young Dental Manufacturing Company, Inc., Earth City, Mo.**

[57] **CLAIM**

[**] **Term: 14 Years**

The ornamental design for dental prophylaxis angle, as shown.

[21] **Appl. No.: 41,555**

DESCRIPTION

[22] **Filed: Jul. 18, 1995**

[52] **U.S. Cl. D24/111; D24/176**

FIG. 1 is a view in perspective of a dental prophylaxis angle in accordance with my design;

[58] **Field of Search D24/176-182, D24/111-115; 433/80-83, 85, 88, 89, 3**

FIG. 2 is a top plan view thereof;

FIG. 3 is a bottom plan view thereof;

[56] **References Cited**

U.S. PATENT DOCUMENTS

4,921,423 5/1990 Kesling 433/3
5,062,796 11/1991 Rosenberg 433/80

FIG. 4 is a view in left hand elevation thereof;

FIG. 5 is a view in right hand elevation thereof;

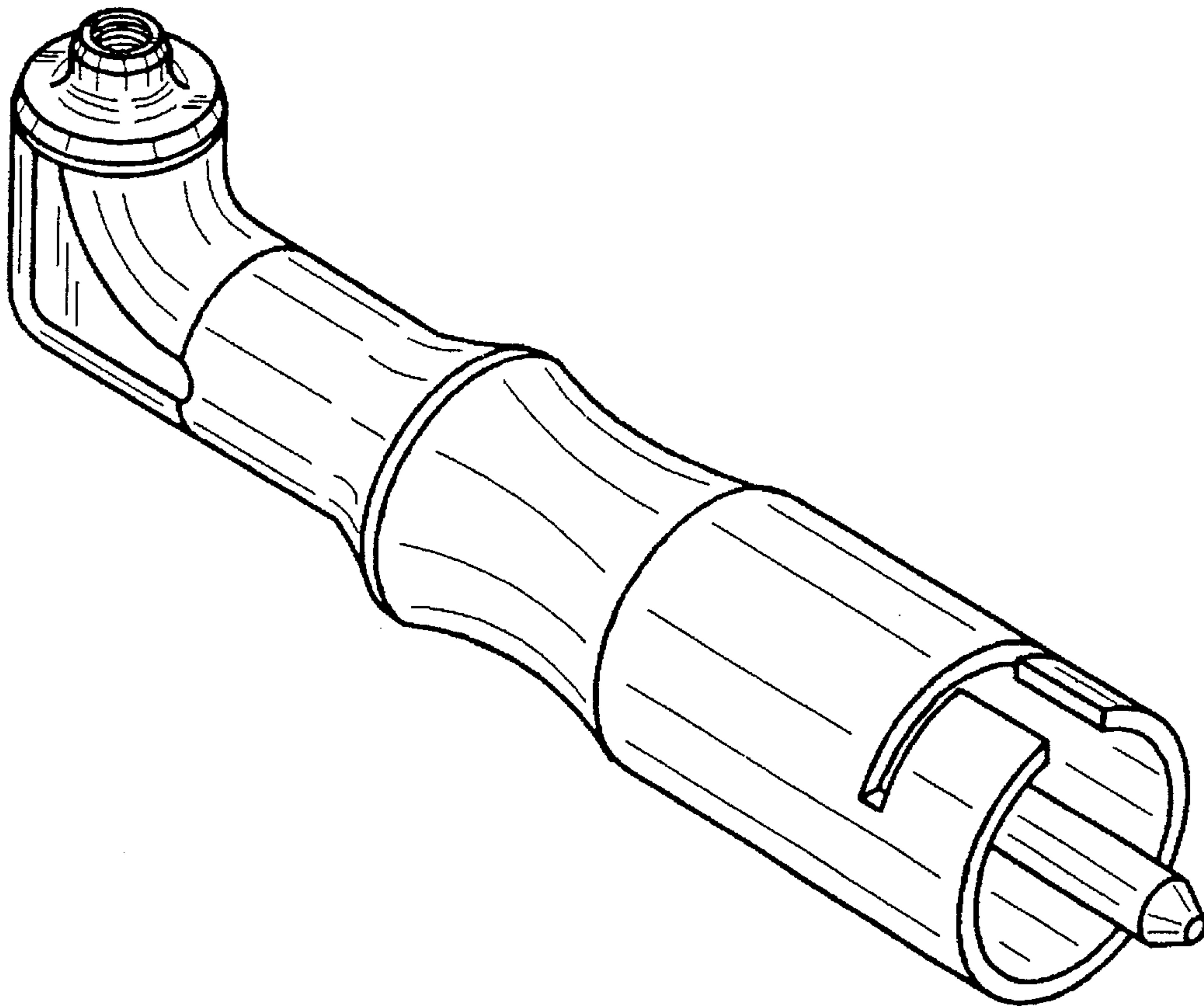
FIG. 6 is a view in front elevation thereof; and,

FIG. 7 is a view in rear elevation thereof.

OTHER PUBLICATIONS

“Young Dental Manufacturing” Making Smiles Since 1900—Retail Catalog and Price List/Mar. 1, 1993/Cover page and one page showing, The Young TS2™ Prophy System.

1 Claim, 1 Drawing Sheet



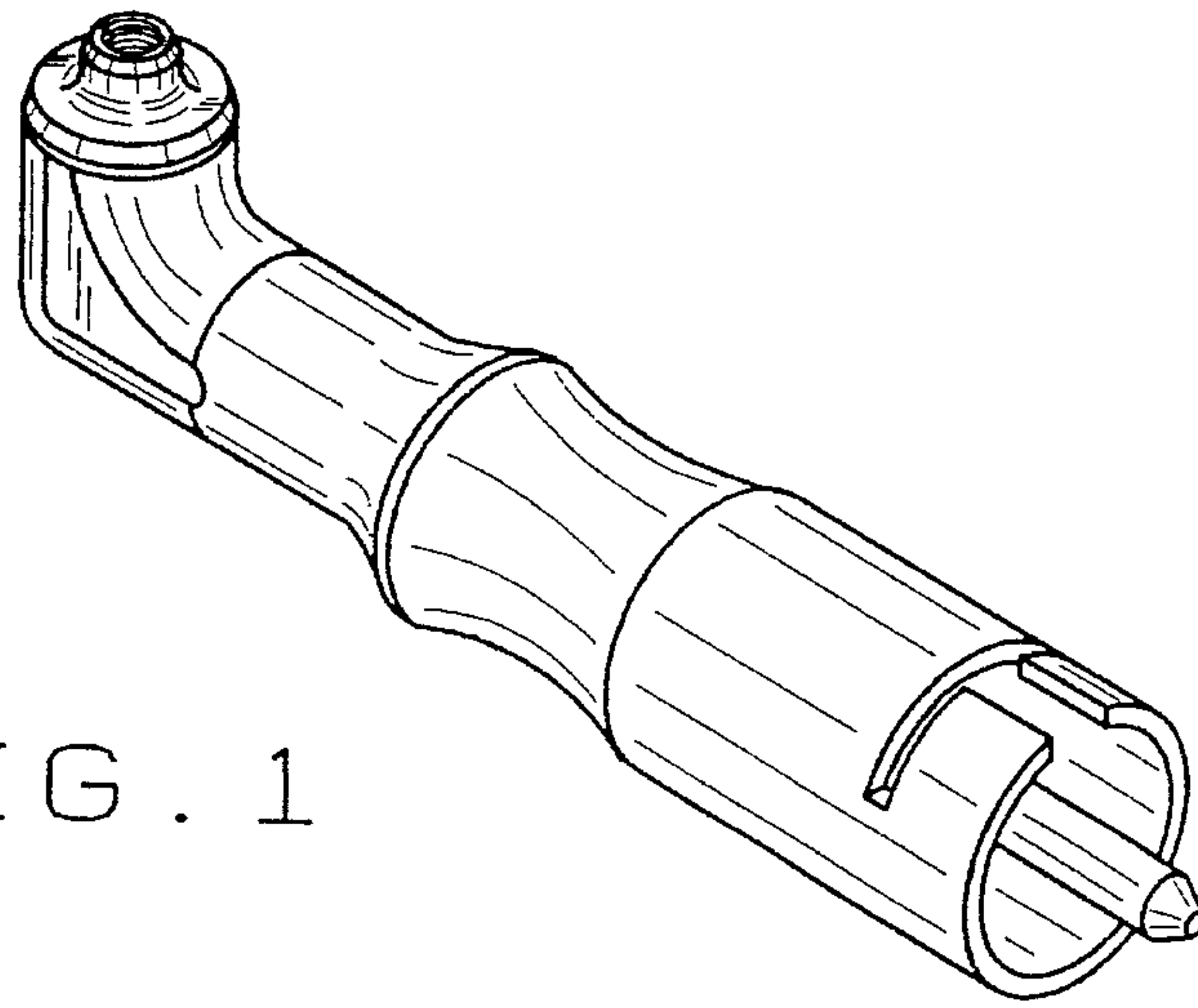


FIG. 1

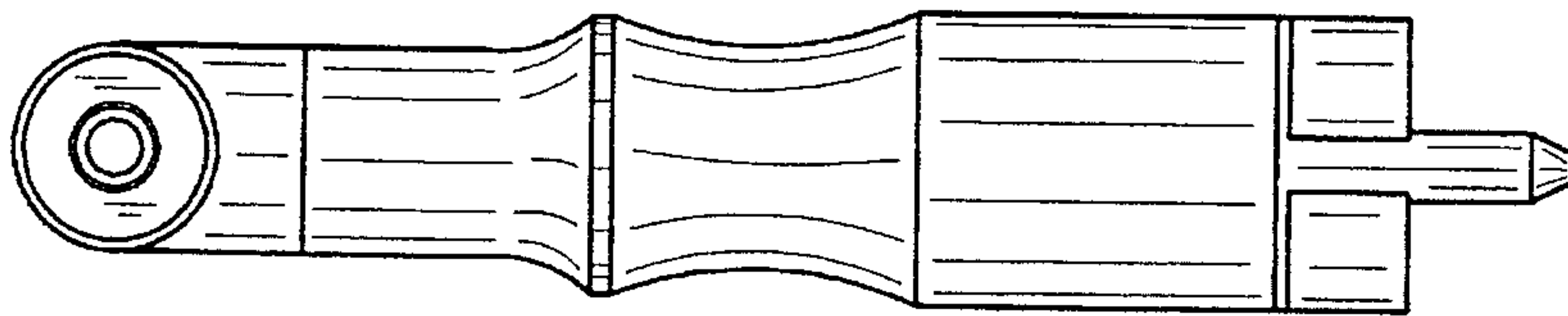


FIG. 2

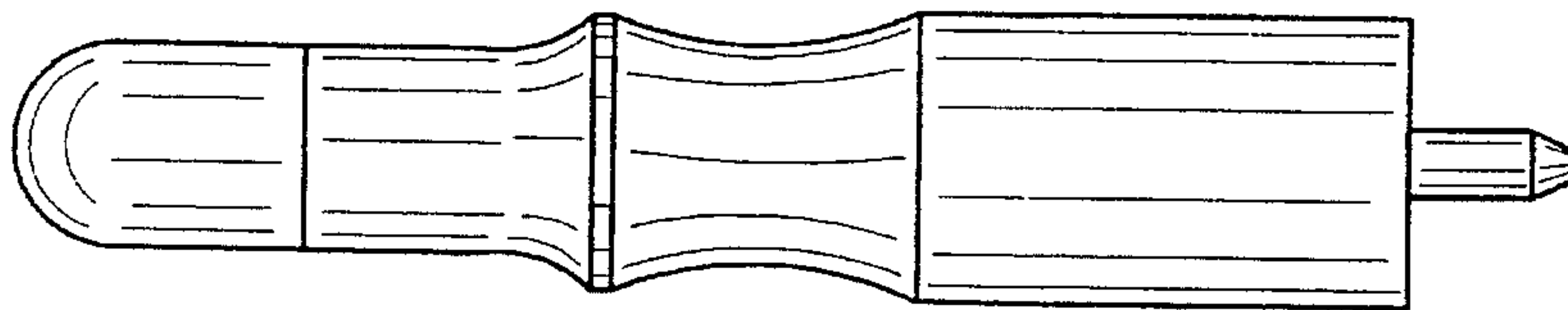


FIG. 3

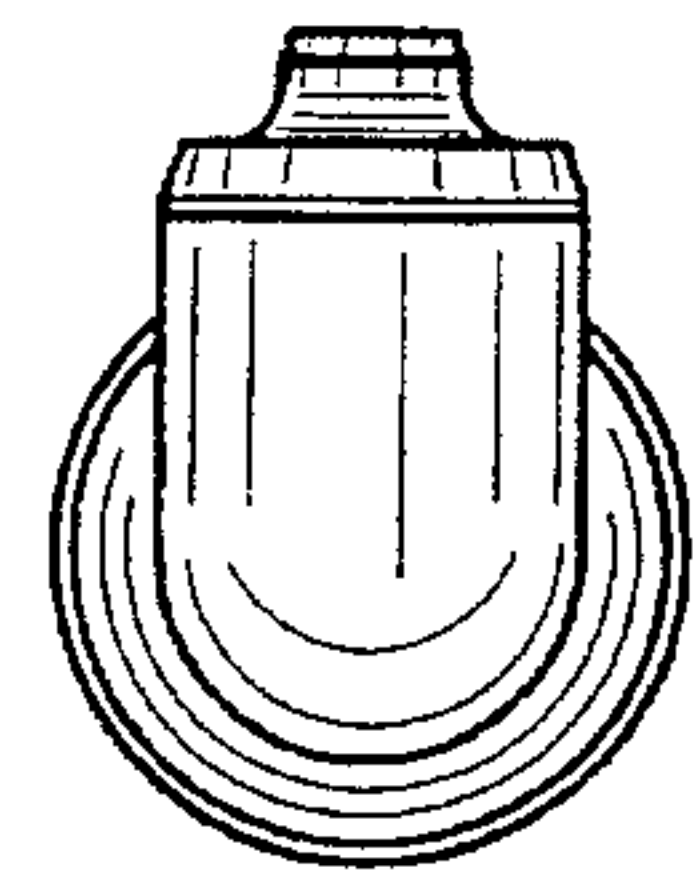


FIG. 6

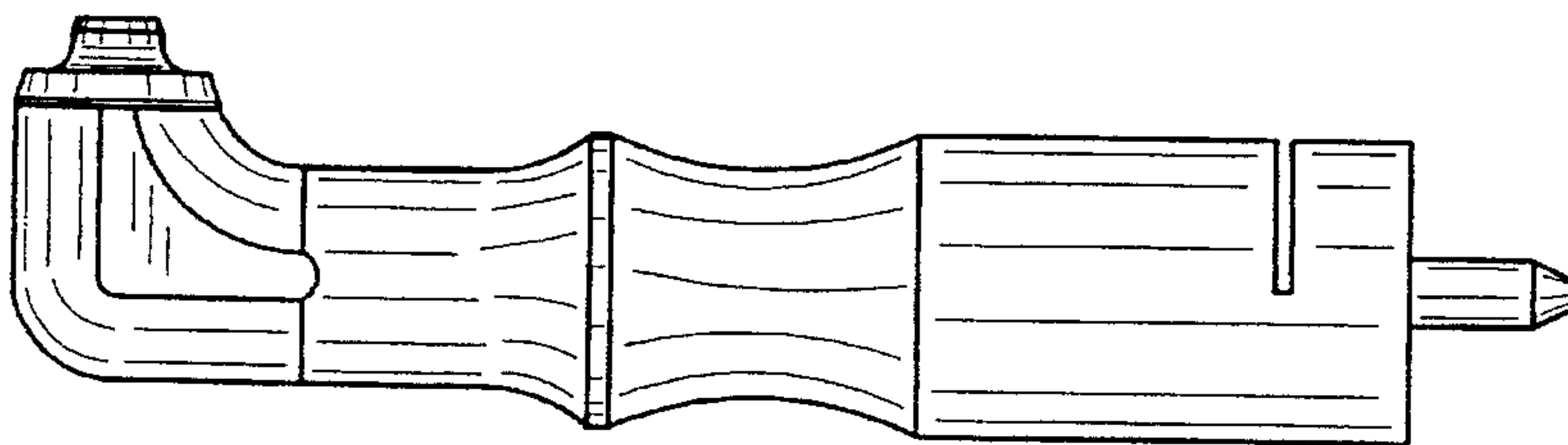


FIG. 4

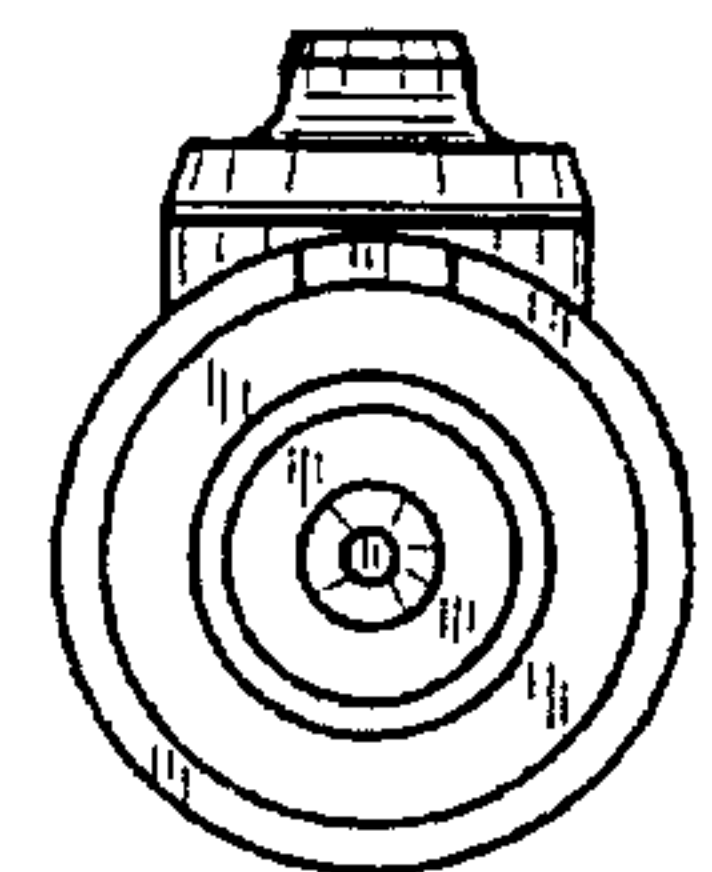


FIG. 7

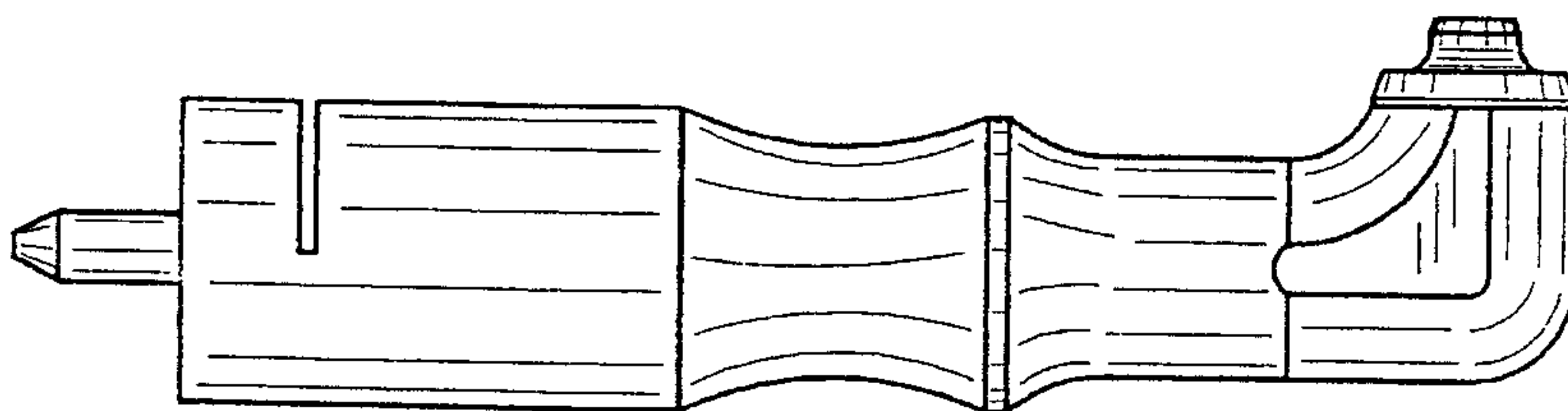


FIG. 5