



US00D376421S

United States Patent [19]

[11] Patent Number: **Des. 376,421**

Jaspers-Fayer

[45] Date of Patent: ****Dec. 10, 1996**

[54] COMBINED CEILING FAN AND LIGHT FIXTURE ASSEMBLY

[75] Inventor: **Jan Jaspers-Fayer**, Idyllwild, Calif.

[73] Assignee: **Minka Lighting, Inc.**, Corona, Calif.

[**] Term: **14 Years**

[21] Appl. No.: **35,586**

[22] Filed: **Mar. 2, 1995**

[52] U.S. Cl. **D23/377; D23/379; D23/385**

[58] Field of Search **D23/377, 379, D23/385, 411, 413; 416/5; 392/364; 362/96; D26/81-86, 88, 72, 59, 51**

[56] References Cited

U.S. PATENT DOCUMENTS

D. 331,101	11/1992	Rezek	D23/377
D. 348,729	7/1994	Mason	D23/377
D. 351,020	9/1994	Arnold	D23/377

FOREIGN PATENT DOCUMENTS

110798	7/1982	Japan	416/5
134971	11/1919	United Kingdom	416/5

Primary Examiner—Lisa P. Lichtenstein
Attorney, Agent, or Firm—Robert D. Katz

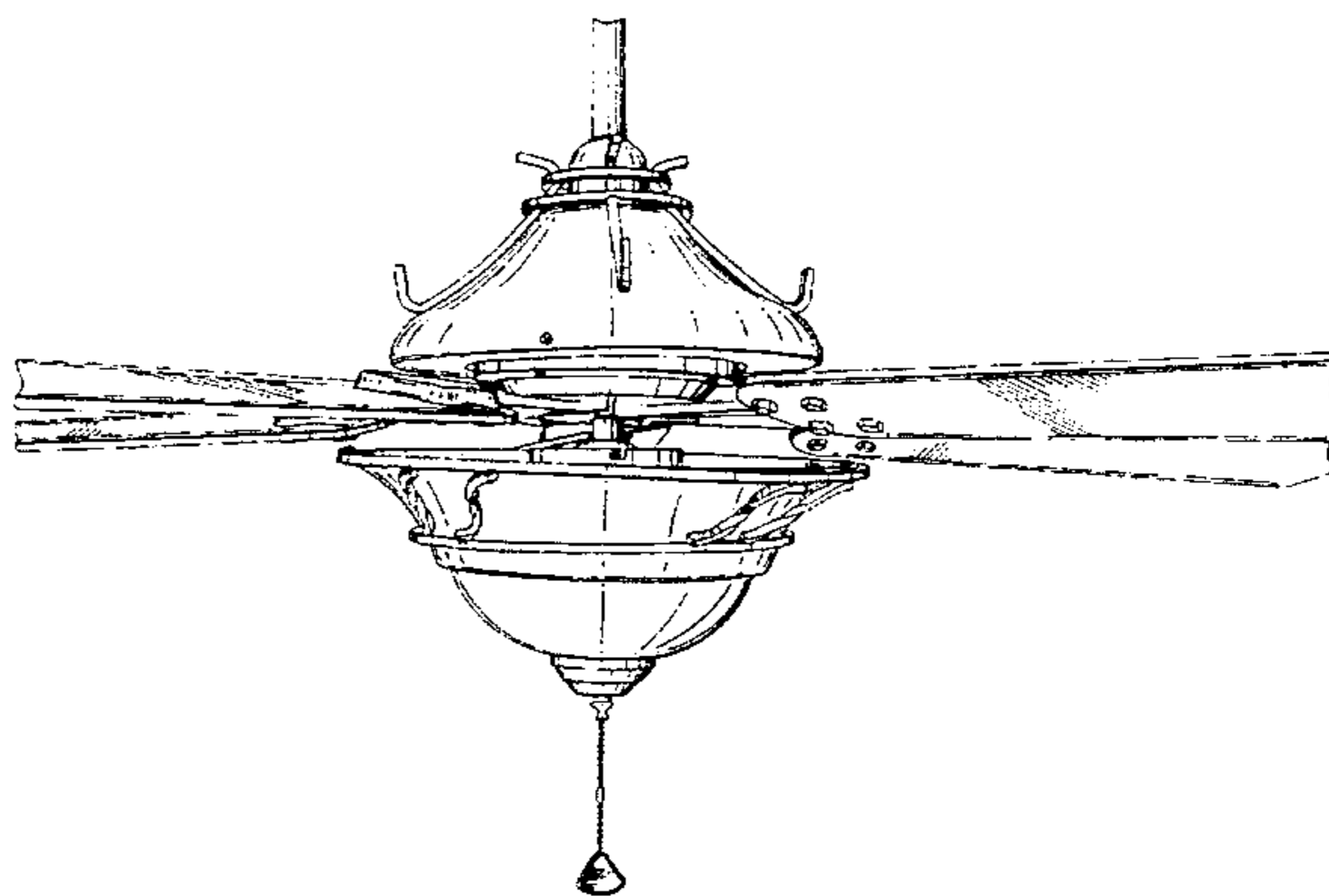
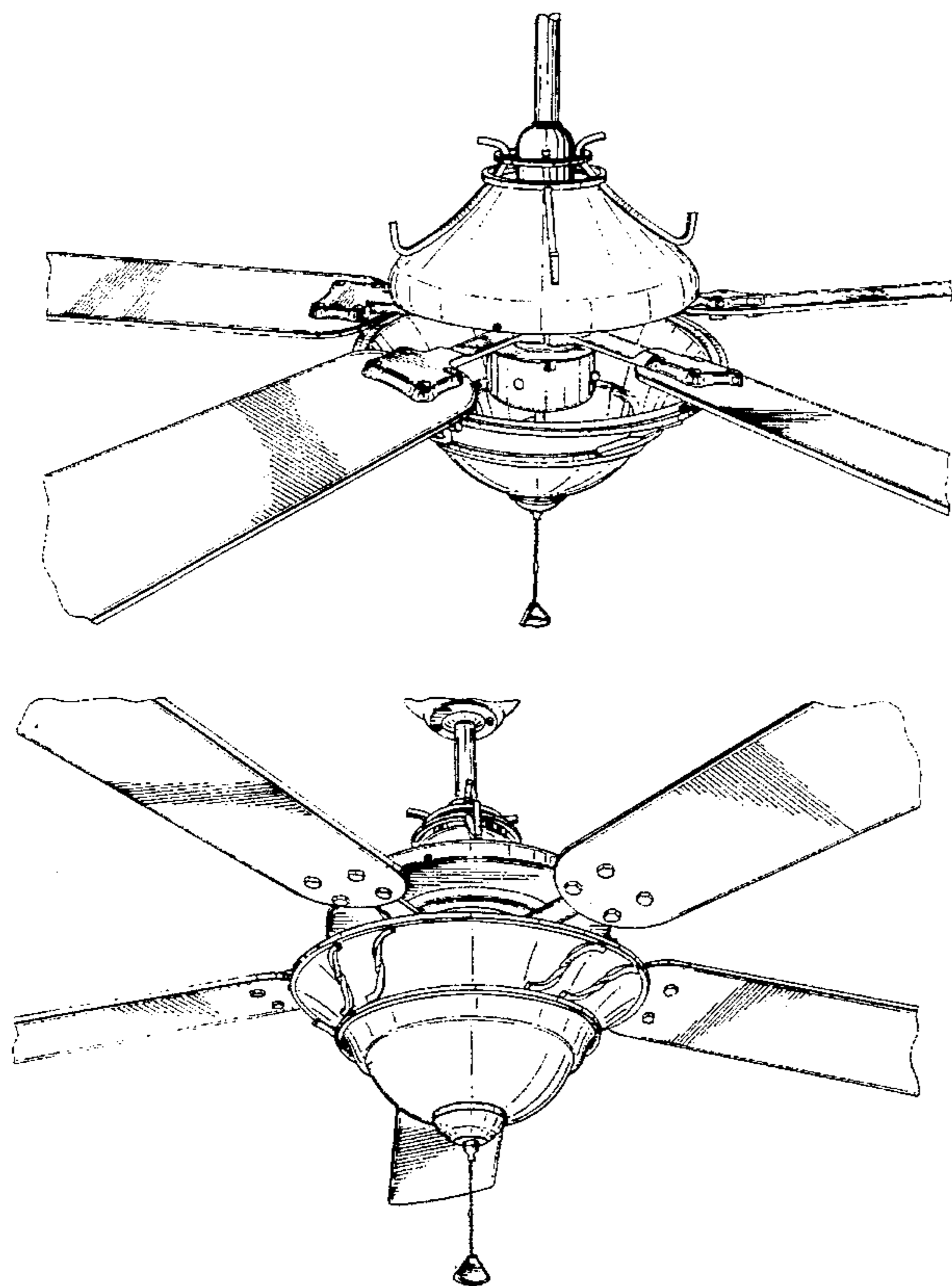
[57] CLAIM

The ornamental design for a combined ceiling fan and light fixture assembly, as shown and described.

DESCRIPTION

FIG. 1 is a front top perspective view of a combined ceiling fan and light fixture assembly, showing my new design; FIG. 2 is a front bottom perspective view thereof; FIG. 3 is a front elevation view thereof, the rear being a mirror image of that shown; FIG. 4 is a top perspective view thereof; and, FIG. 5 is a bottom perspective view thereof. The blades and support rod have been shown broken away in FIGS. 1-5 to indicate indeterminate length.

1 Claim, 5 Drawing Sheets



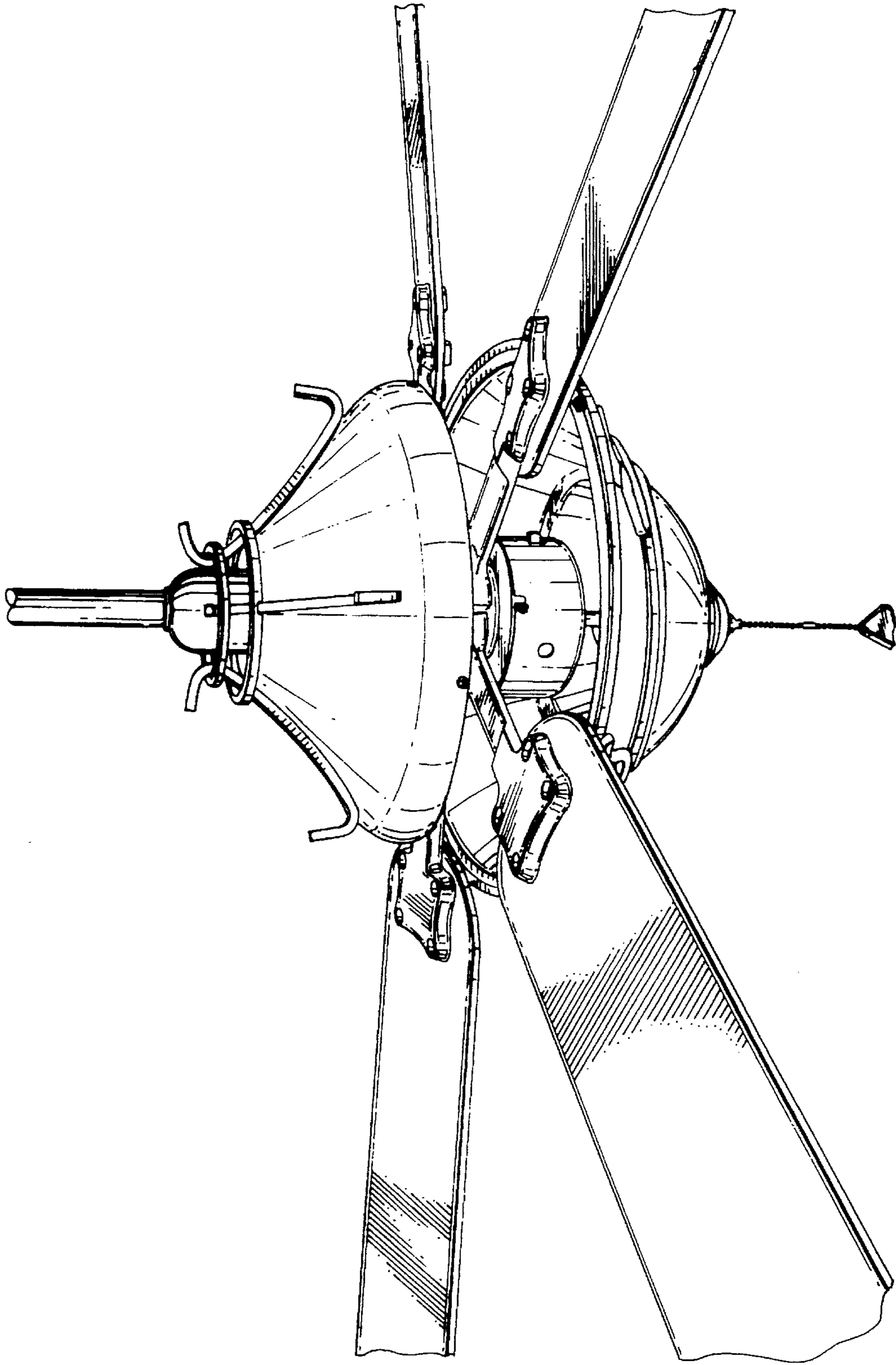


FIG- 1

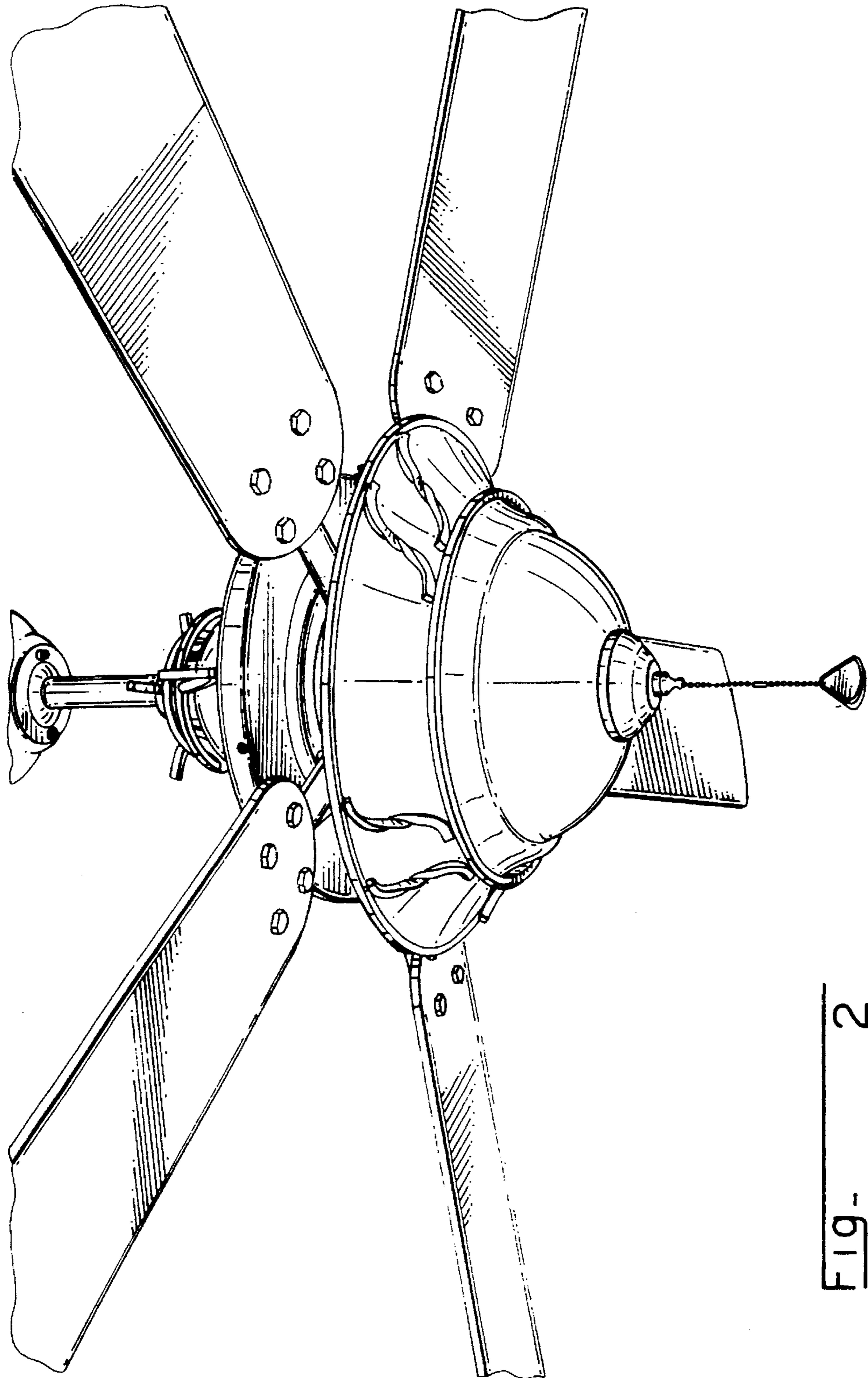


FIG. 2

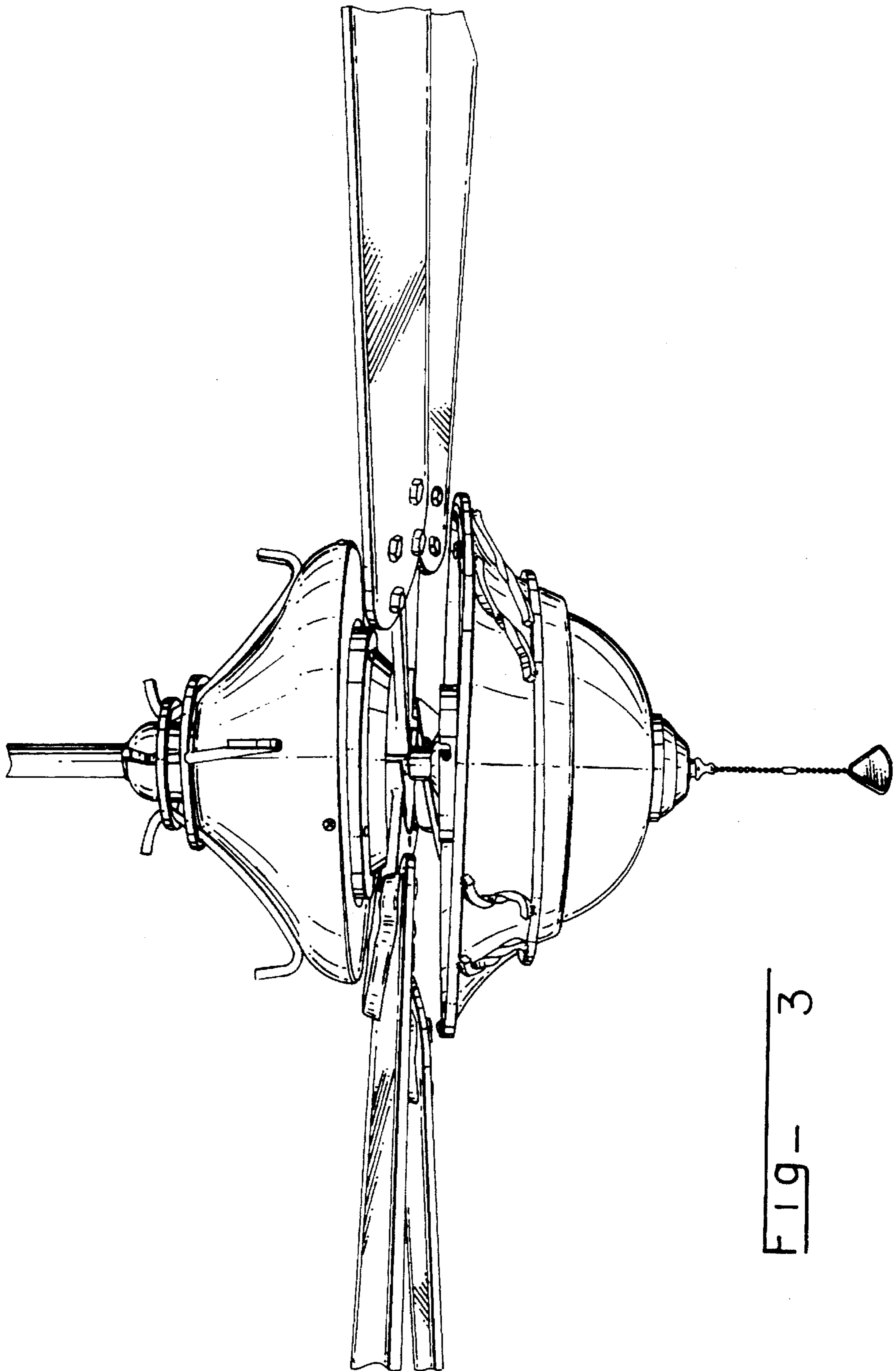


FIG. 3

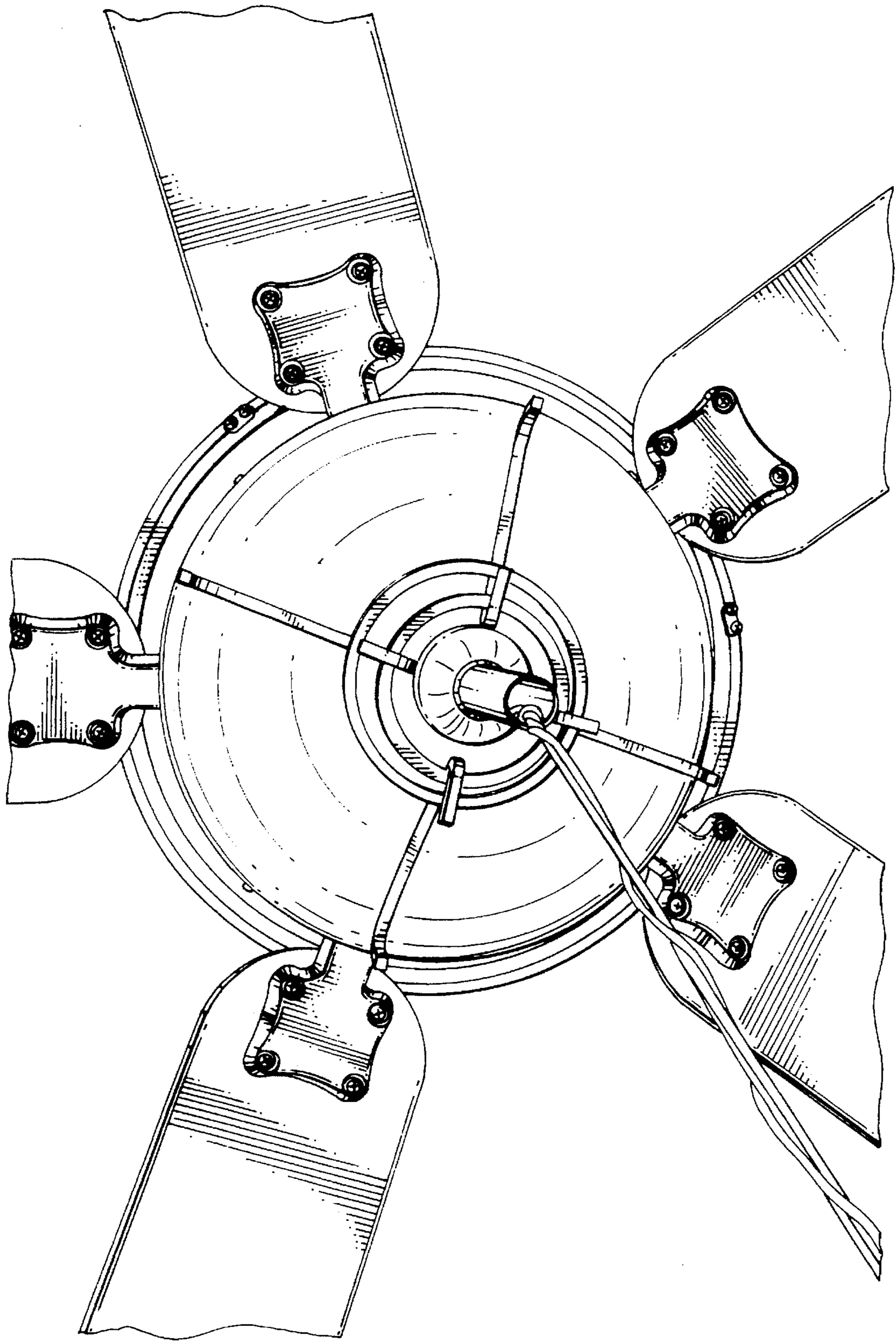


FIG. 4

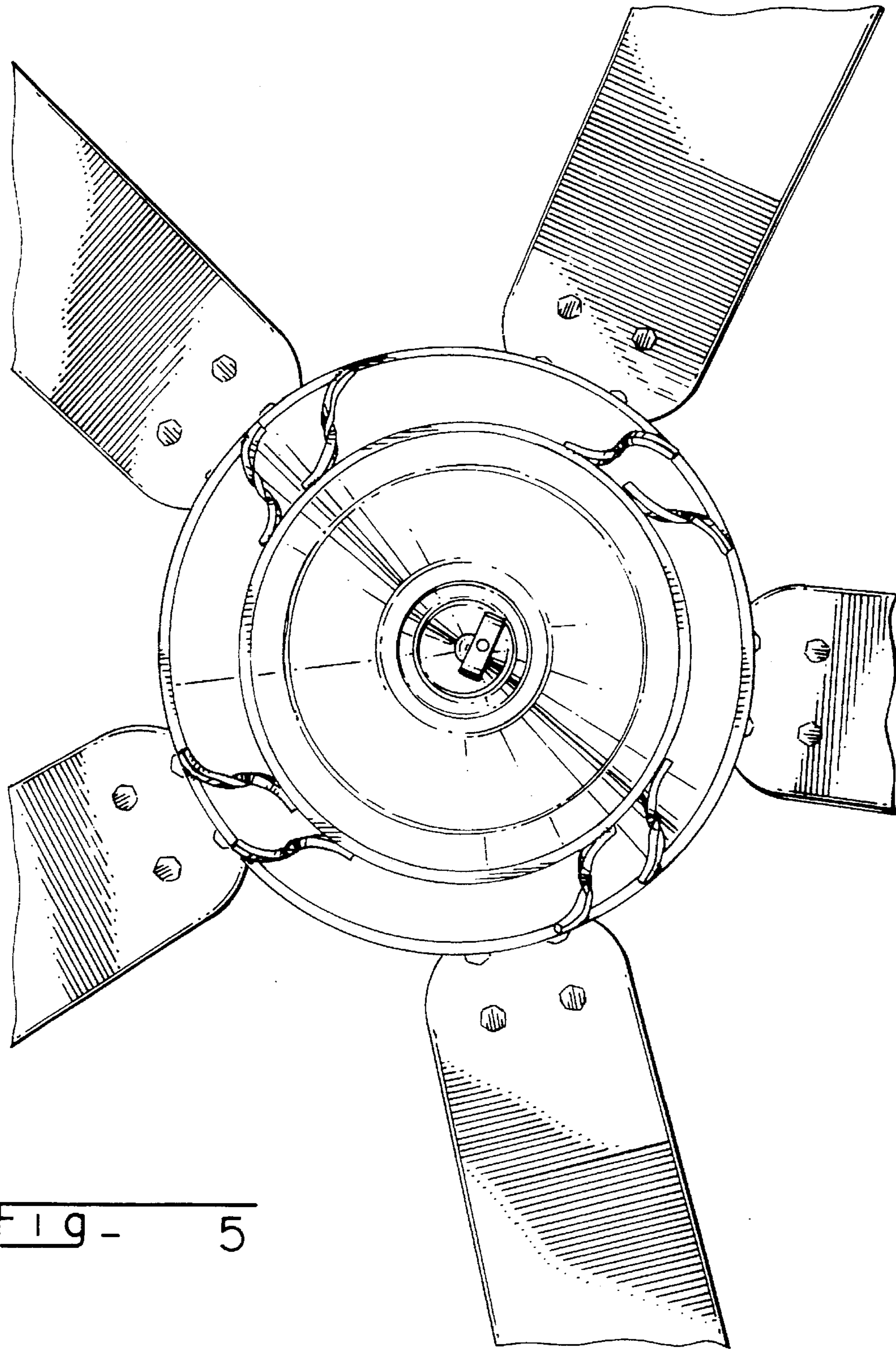


FIG - 5