



US00D376420S

# United States Patent [19]

[11] **Patent Number: Des. 376,420**

**Rymer**

[45] **Date of Patent: \*\*Dec. 10, 1996**

[54] **CONTAINER FOR EVAPORABLE MATERIAL**

*Primary Examiner*—Lisa P. Lichtenstein  
*Attorney, Agent, or Firm*—Frederick H. Rabin

[75] **Inventor: Shaun P. Rymer, Hull, England**

[57] **CLAIM**

[73] **Assignee: Reckitt & Colman Products Limited, London, United Kingdom**

The ornamental design for a container for evaporable material, as shown and described.

[\*\*] **Term: 14 Years**

**DESCRIPTION**

[21] **Appl. No.: 46,038**

FIG. 1 is a front plan view of a container for evaporable material, showing my new design;

[22] **Filed: Nov. 6, 1995**

FIG. 2 is a rear view thereof;

[30] **Foreign Application Priority Data**

FIG. 3 is a top plan view thereof;

May 5, 1995 [GB] United Kingdom ..... 2047278

[52] **U.S. Cl. .... D23/368; D23/366**

FIG. 4 is an underneath plan view thereof;

[58] **Field of Search .... D23/366-369; 261/DIG. 65; 239/60, 34, 57; 422/120, 305; D9/414**

FIG. 5 is a side view thereof, the other side being a mirror image; and,

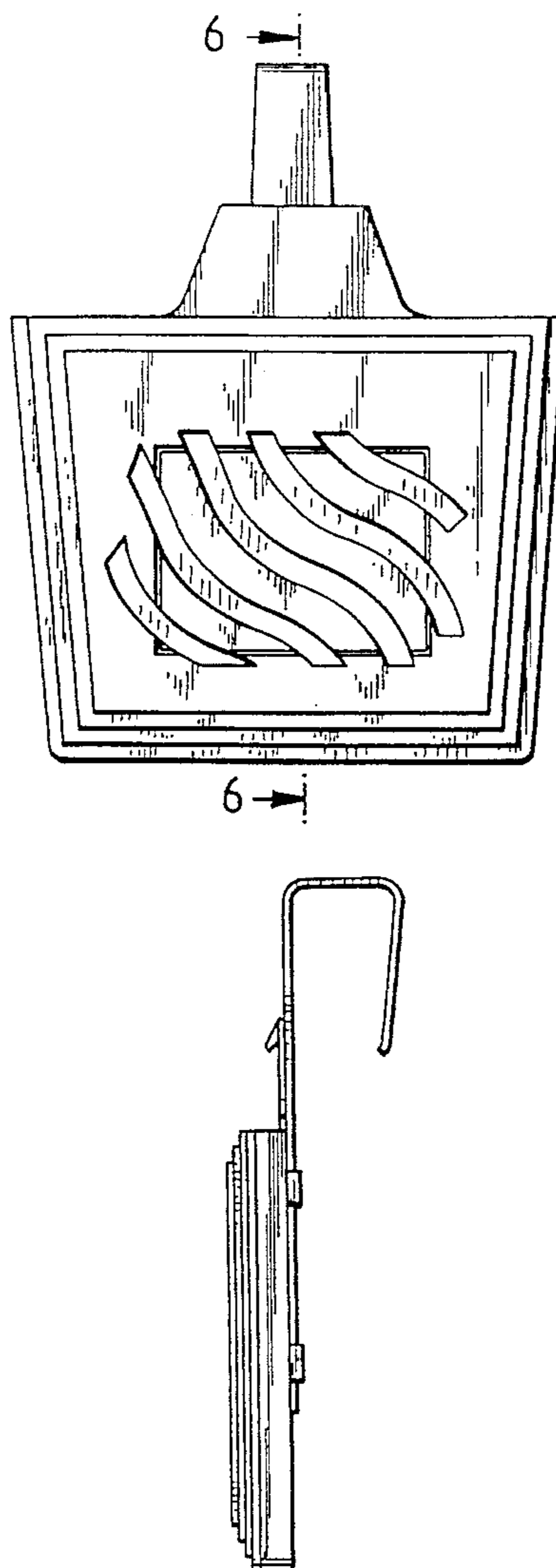
FIG. 6 is a sectional view thereof, taken along the lines 6—6 of FIG. 1.

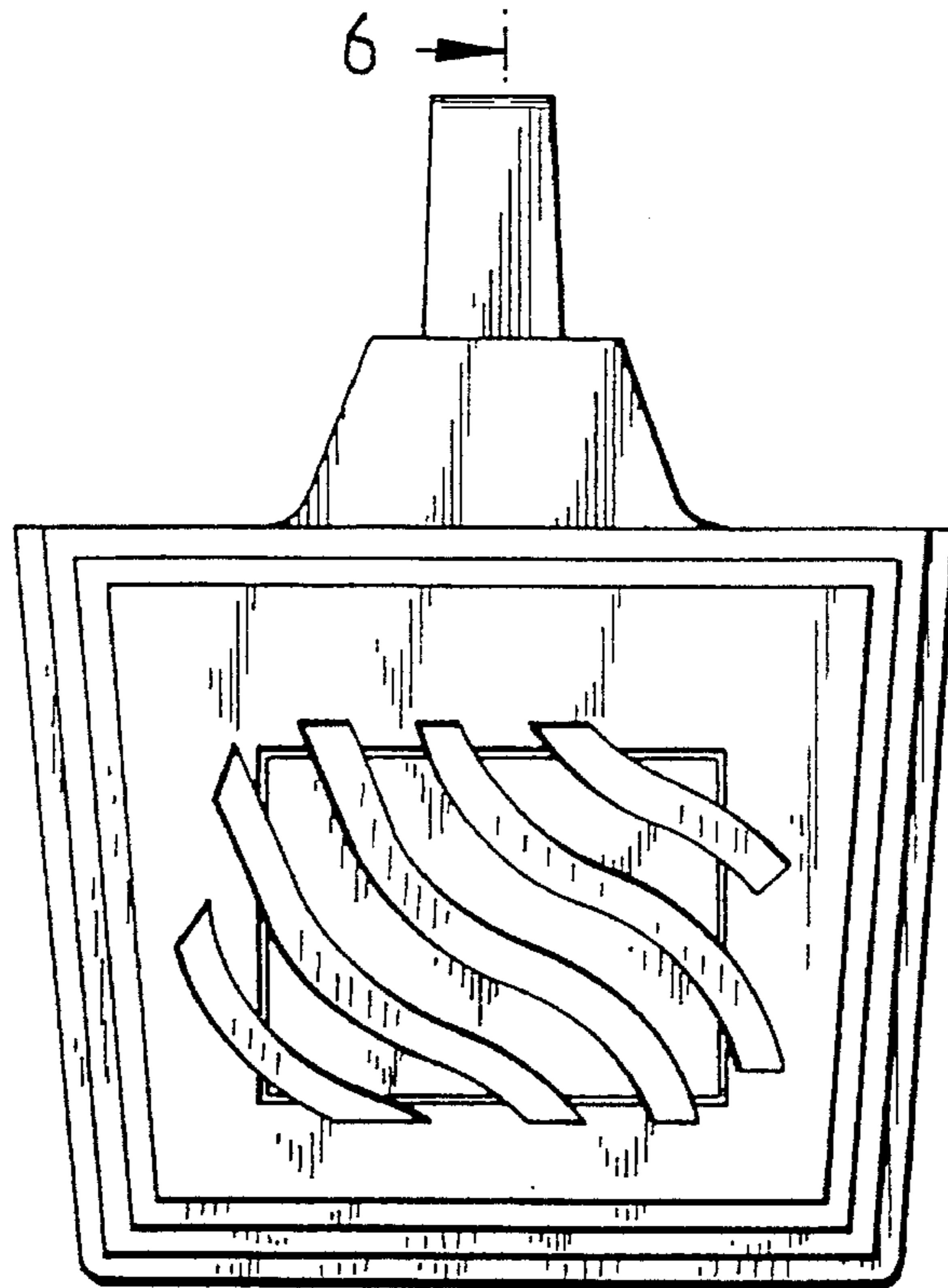
[56] **References Cited**

**U.S. PATENT DOCUMENTS**

5,478,505 12/1995 McElfresh et al. .... 239/57

**1 Claim, 2 Drawing Sheets**





6 →  
FIG. 1

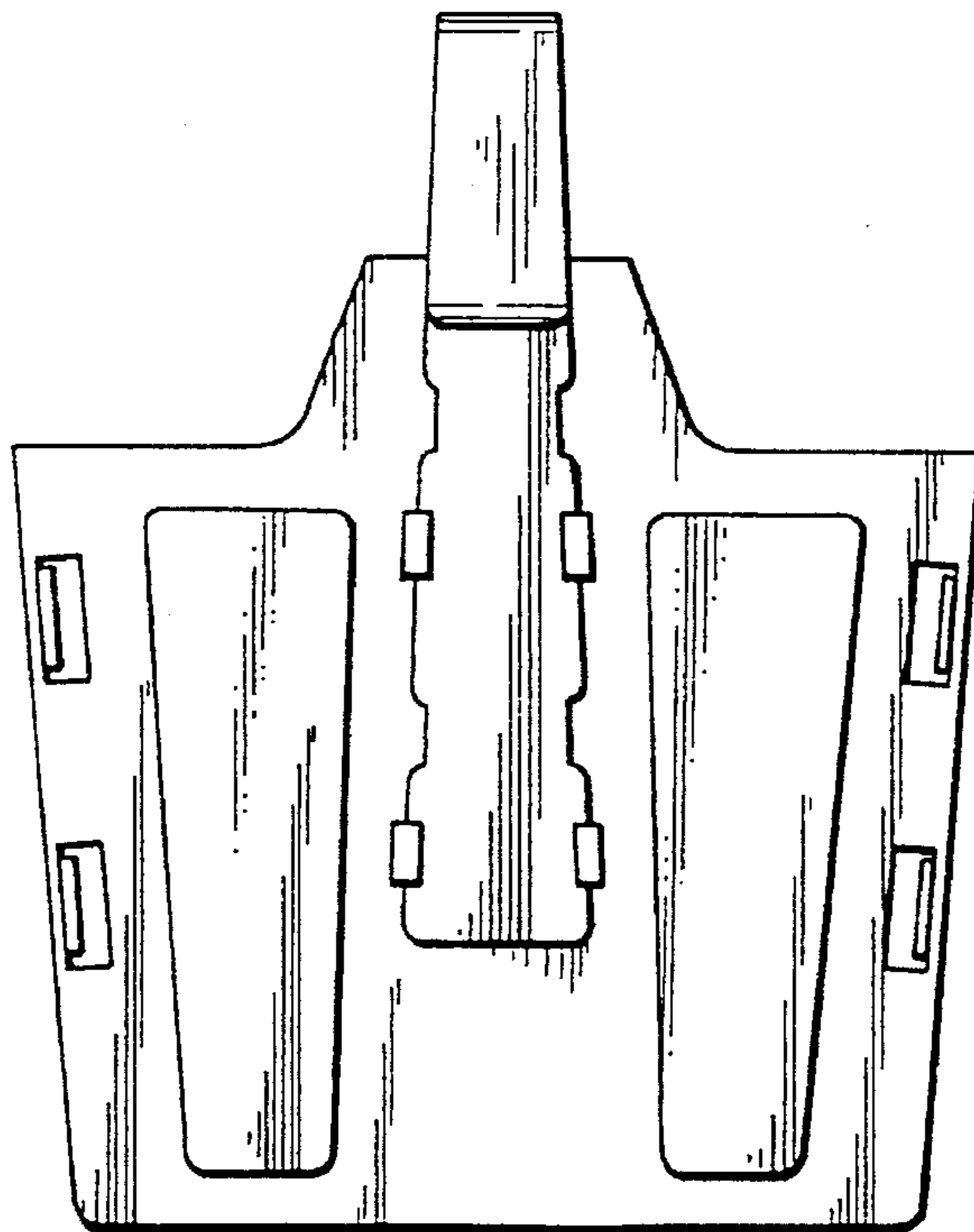


FIG. 2

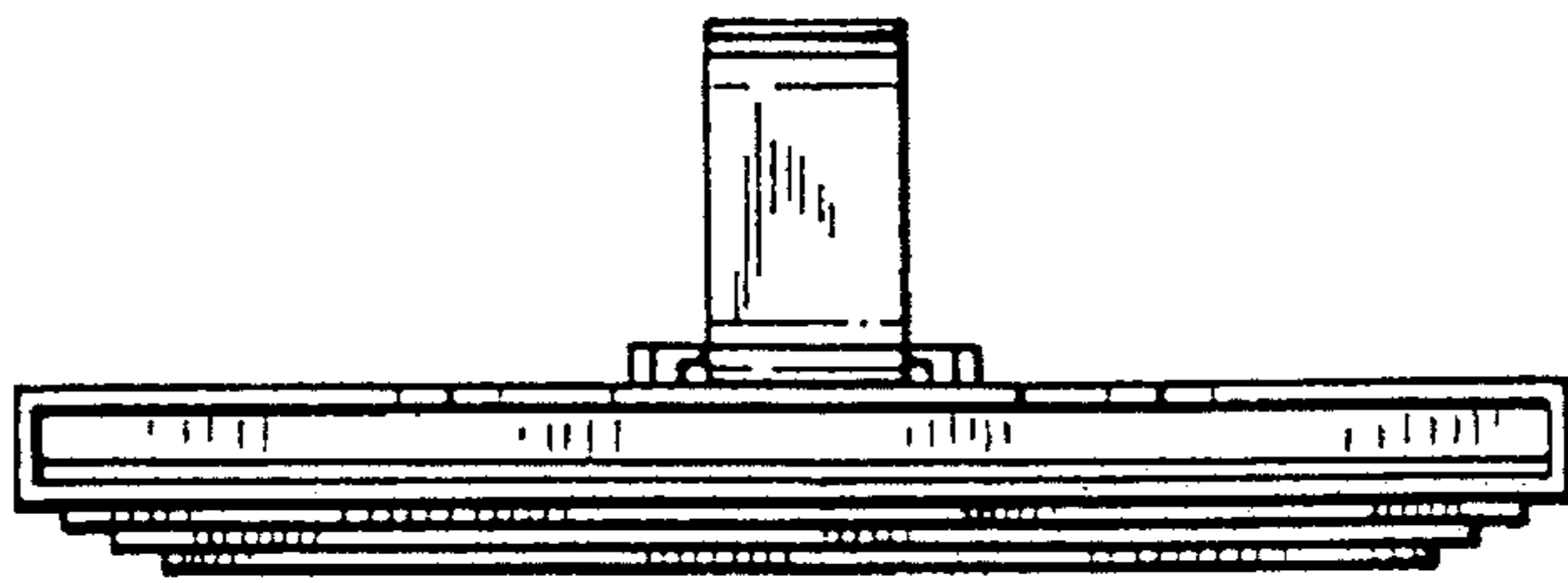


FIG. 3

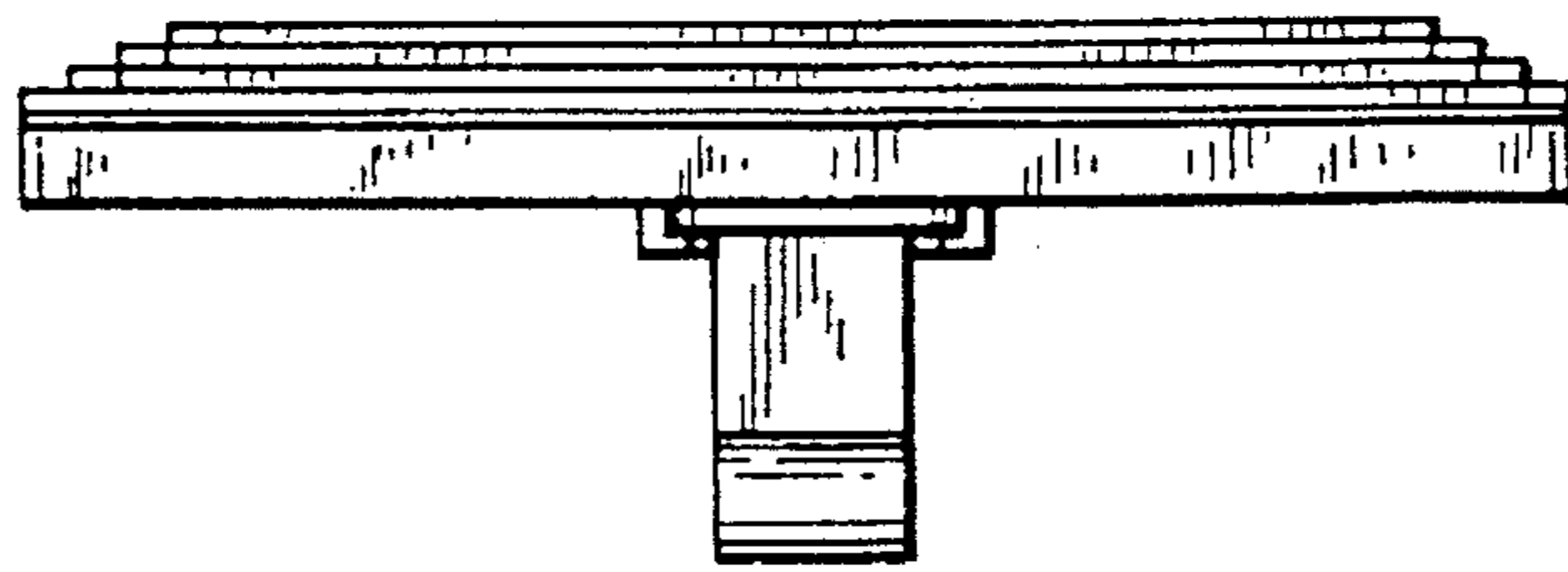


FIG. 4

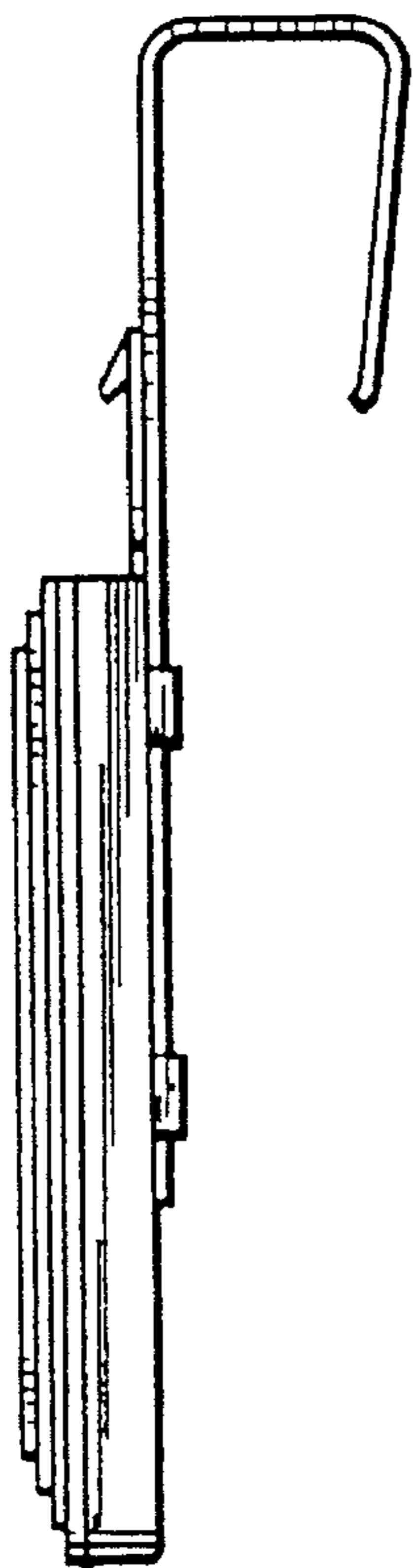


FIG. 5

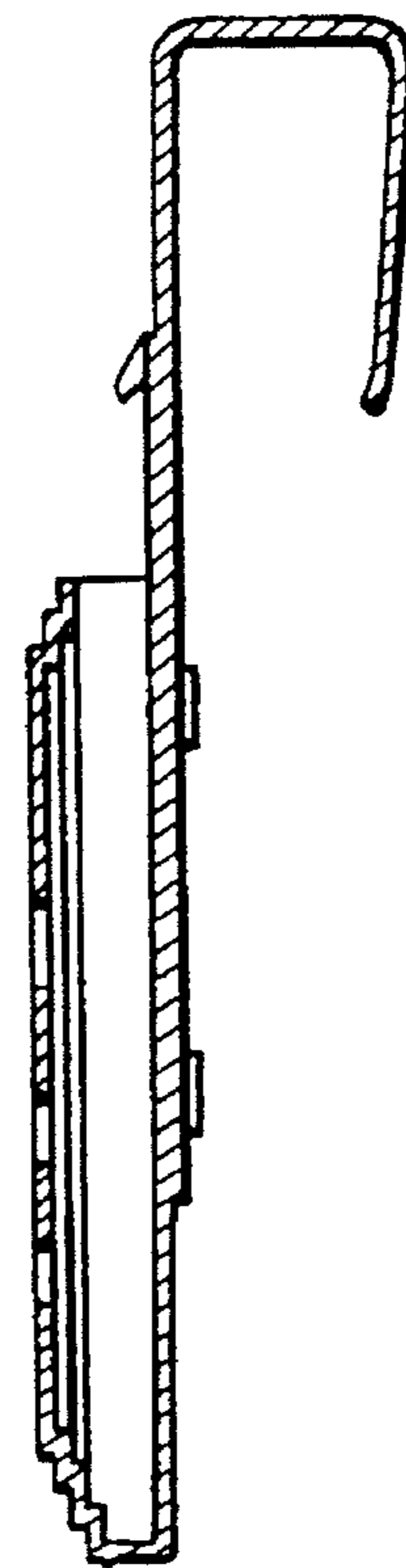


FIG. 6