



US00D376418S

United States Patent [19]
Wang

[11] **Patent Number: Des. 376,418**
[45] **Date of Patent: **Dec. 10, 1996**

[54] **PORTABLE CERAMIC HEATER**

D. 354,343 1/1995 Goldstein D23/335

[75] Inventor: **Jui-Shang Wang**, Taipei, Taiwan

Primary Examiner—Lisa P. Lichtenstein
Attorney, Agent, or Firm—John E. Toupal; Harold G. Jarcho

[73] Assignee: **Duracraft Corporation**, Southborough, Mass.

[57] **CLAIM**

[**] Term: **14 Years**

The ornamental design for a portable ceramic heater, as shown.

[21] Appl. No.: **42,298**

DESCRIPTION

[22] Filed: **Aug. 7, 1995**

FIG. 1 is a front right perspective view of a portable ceramic heater;

[52] U.S. Cl. **D23/337; D23/332; D23/335**

FIG. 2 is a front elevational view thereof;

[58] **Field of Search** D23/332, 335,
D23/337, 328; 392/365-369, 373, 374;
D14/204, 210, 188, 214, 194

FIG. 3 is a rear elevational view thereof;

FIG. 4 is a right side elevational view thereof;

FIG. 5 is a left side elevational view thereof;

FIG. 6 is a top plan view thereof; and,

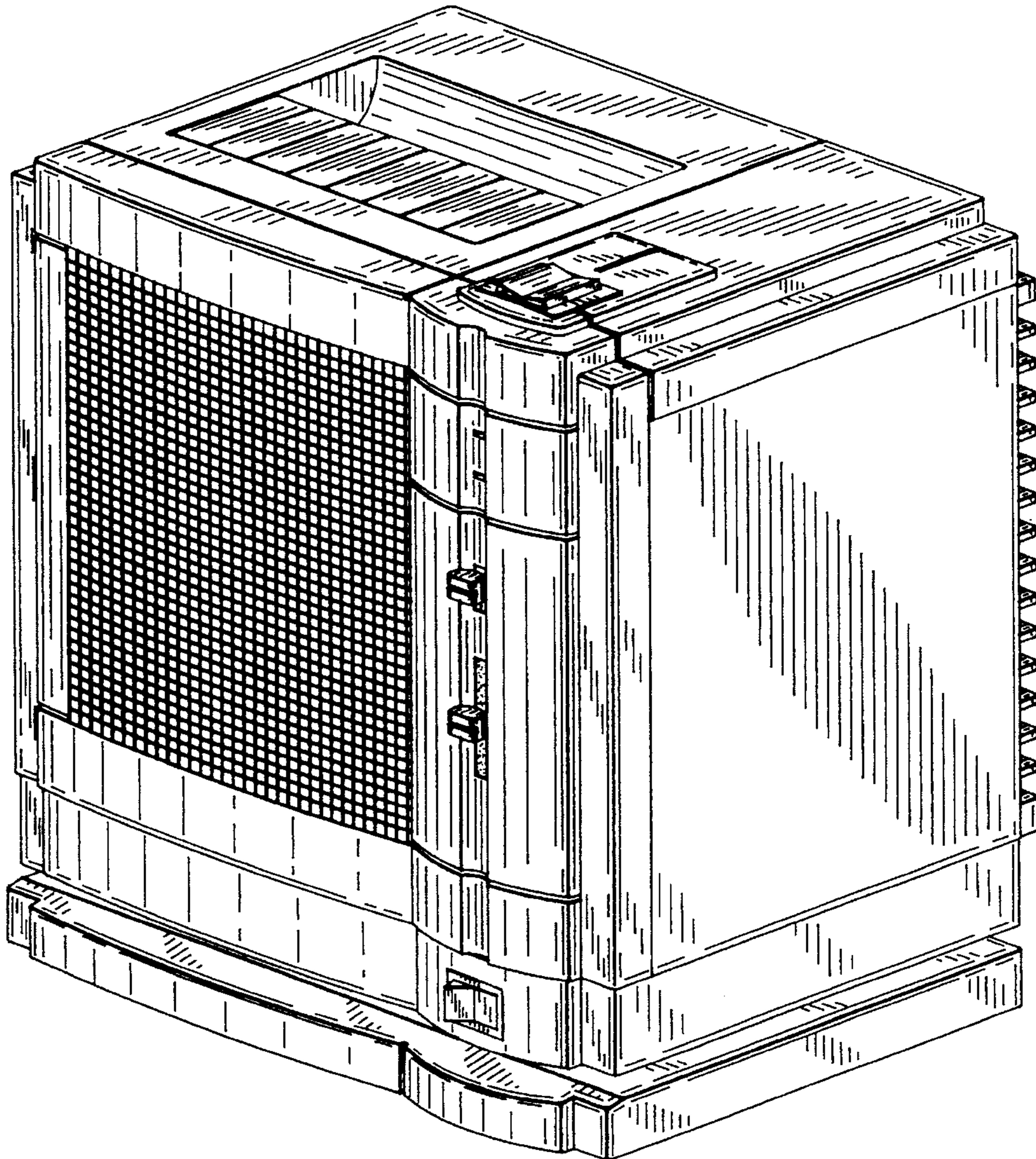
FIG. 7 is a bottom plan view thereof.

[56] **References Cited**

U.S. PATENT DOCUMENTS

D. 318,723 7/1991 Chiu D23/337
D. 323,382 1/1992 Wang D23/335

1 Claim, 7 Drawing Sheets



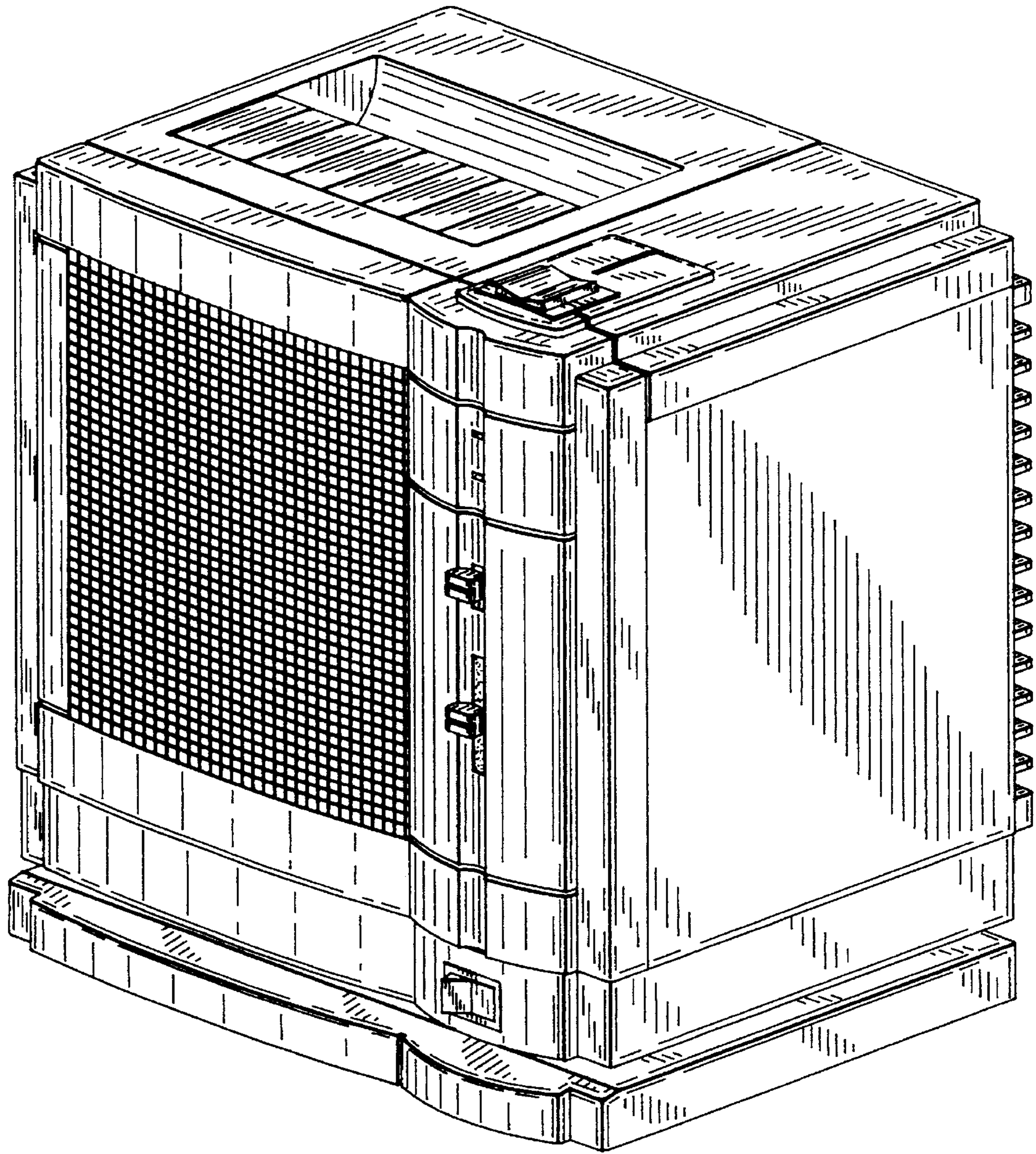


FIG. 1

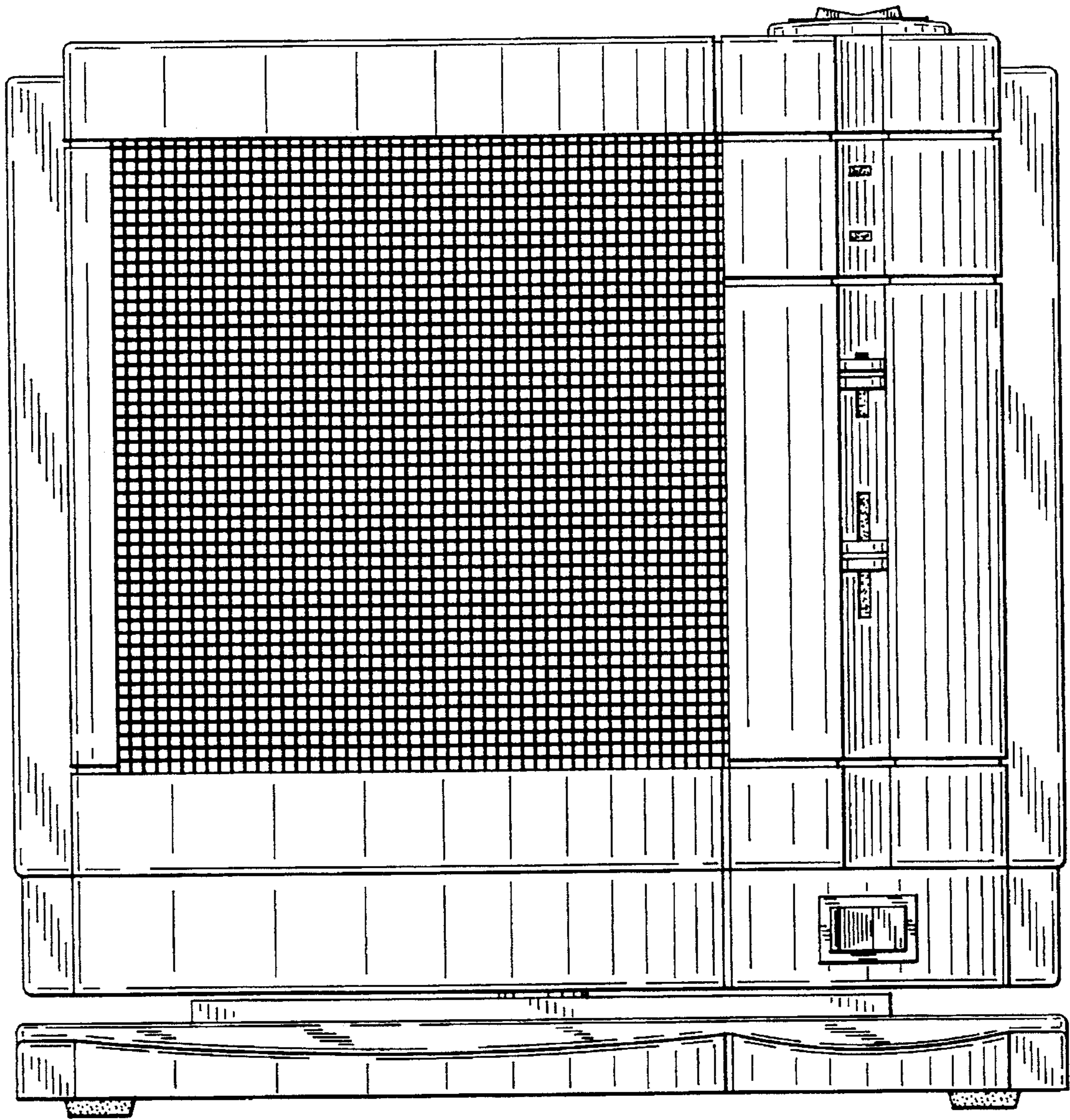


FIG. 2

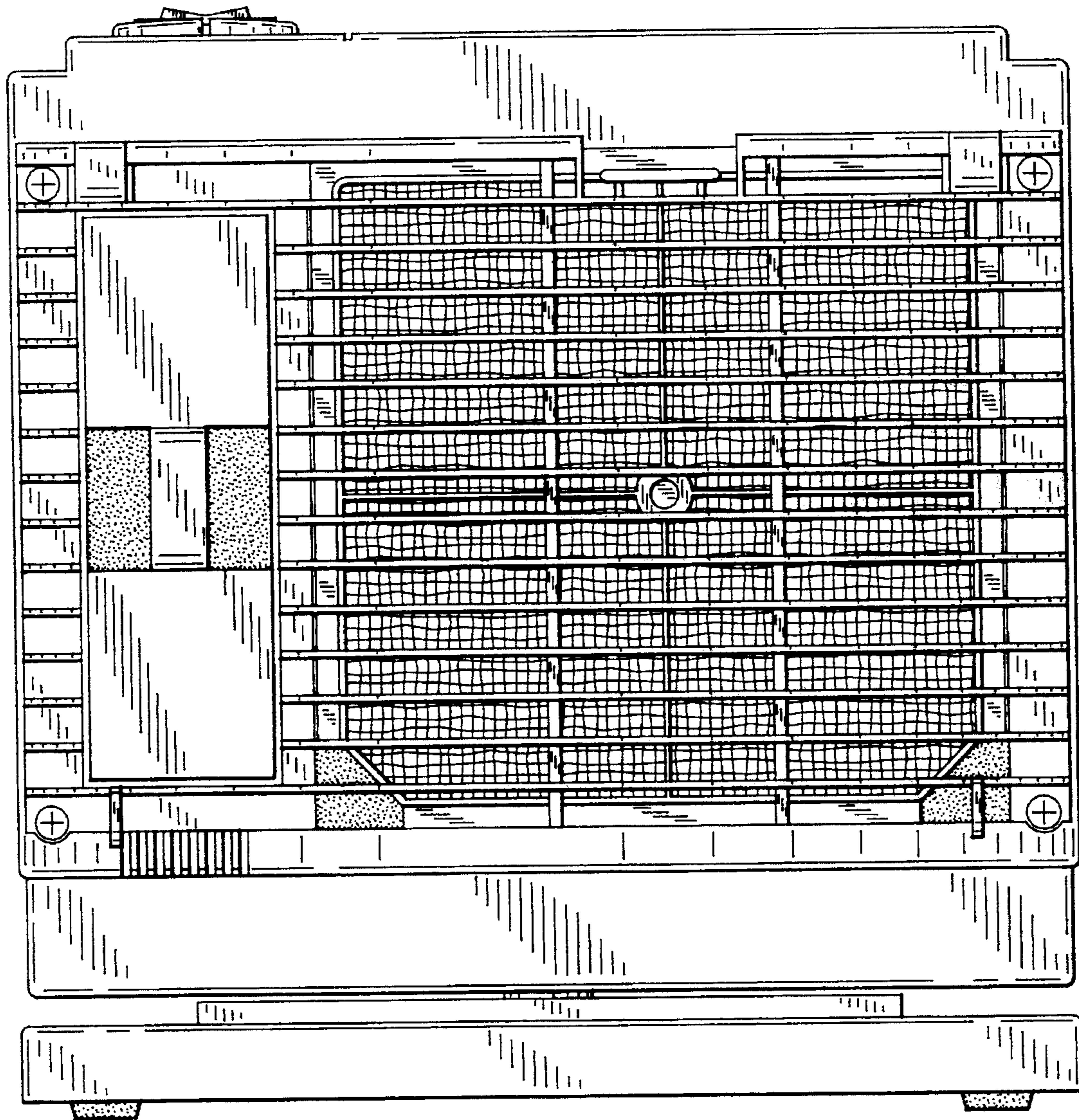


FIG. 3

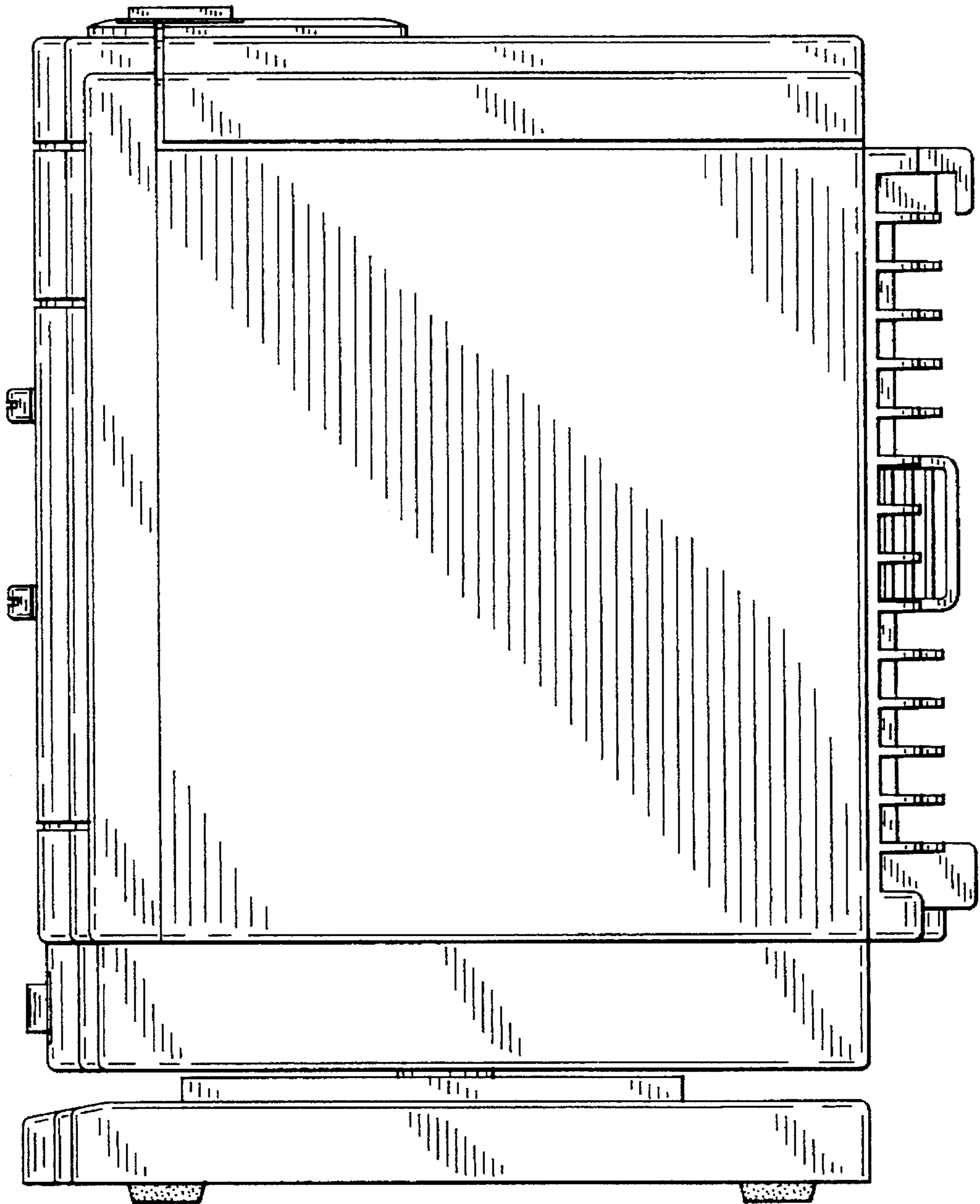


FIG. 4

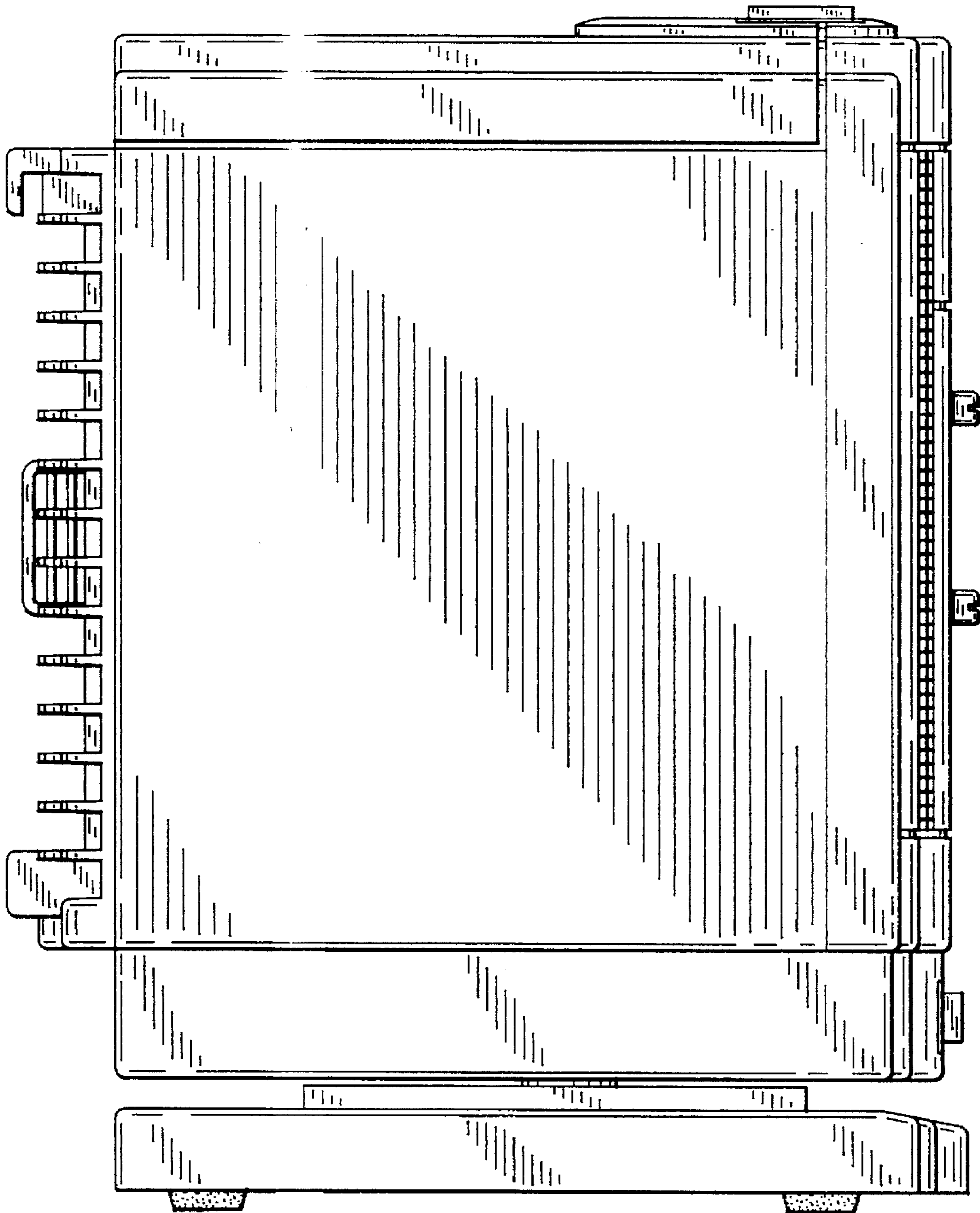


FIG. 5

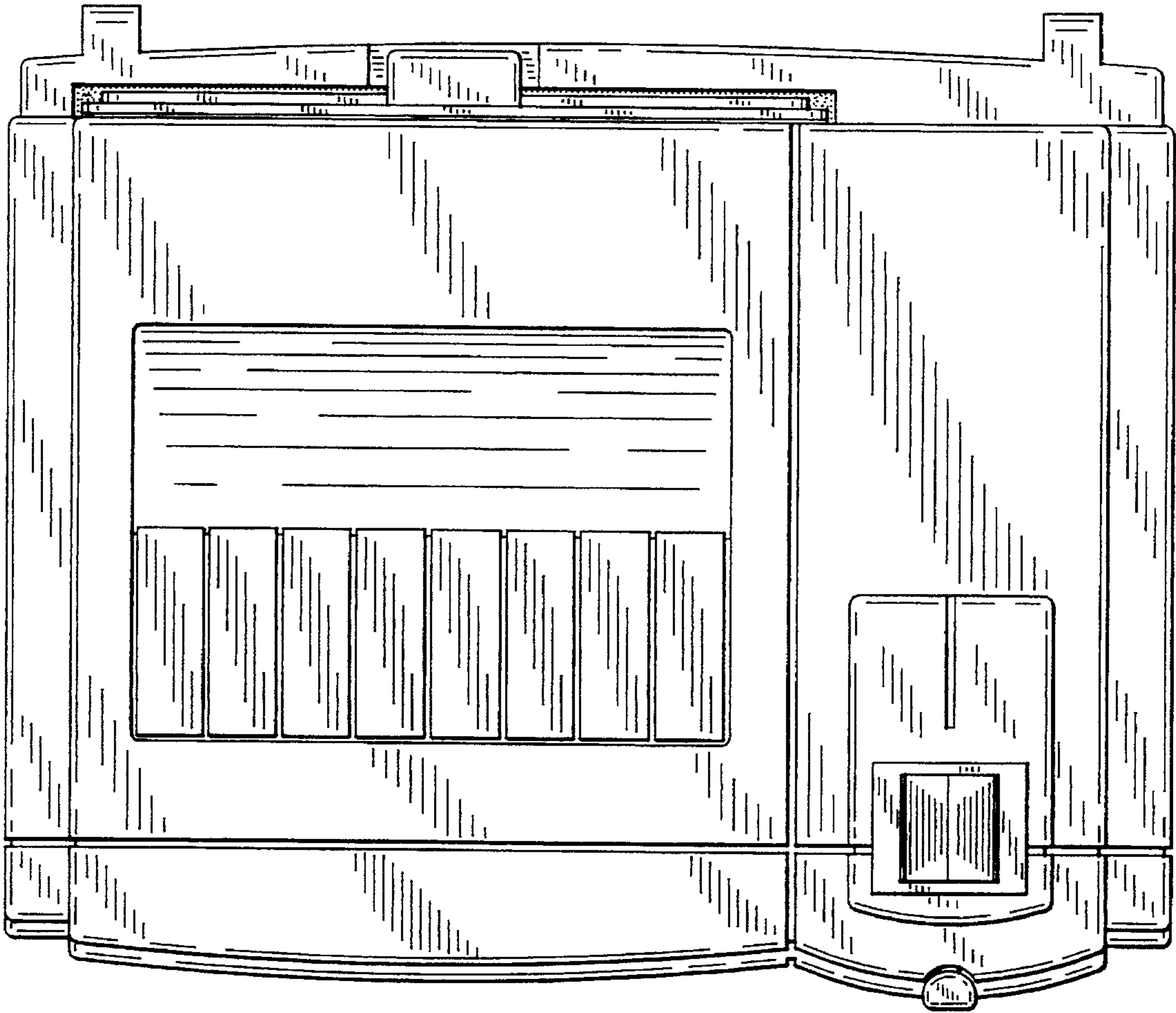


FIG. 6

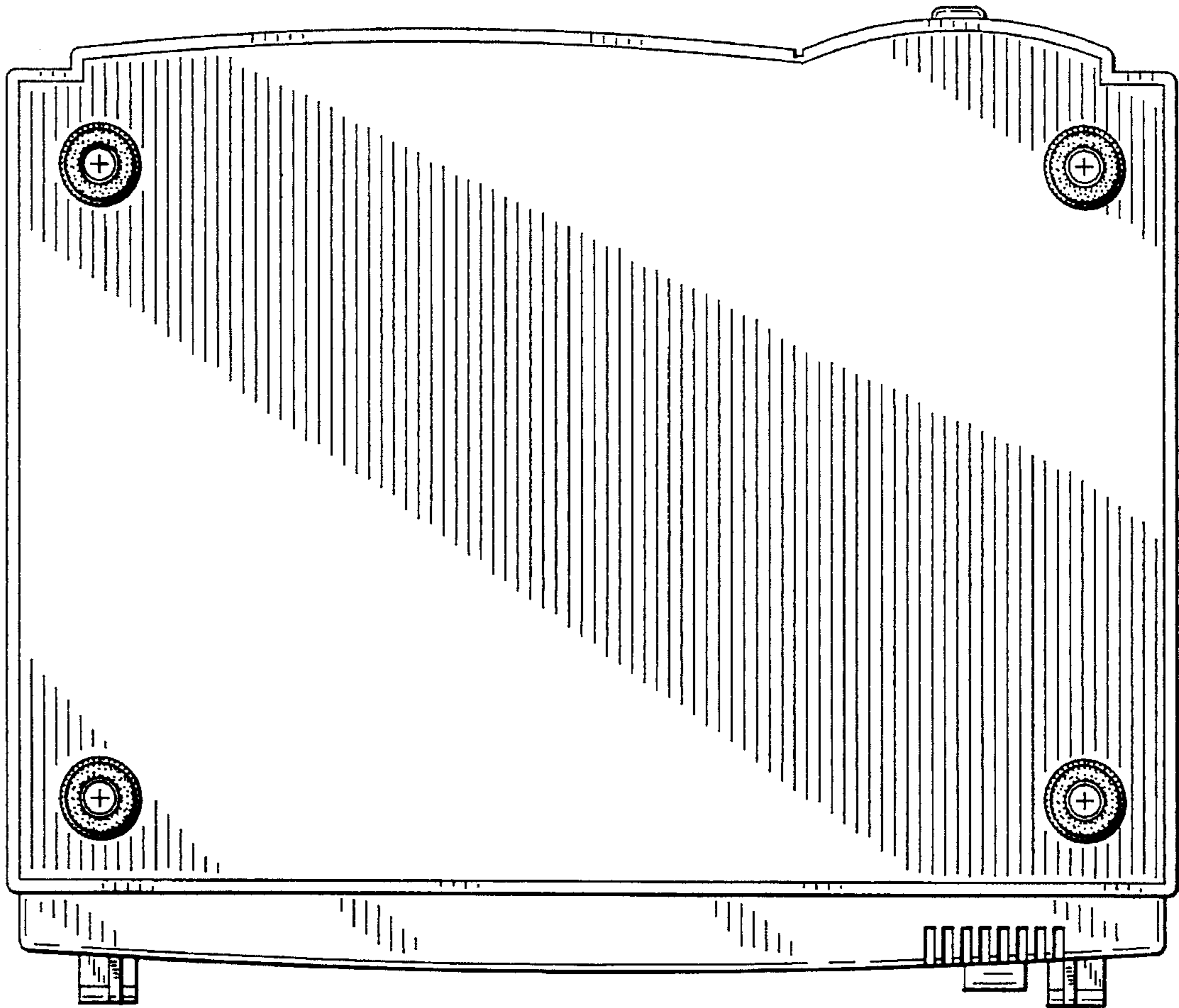


FIG. 7