



US00D376416S

United States Patent [19]

[11] Patent Number: Des. 376,416

Sisk

[45] Date of Patent: **Dec. 10, 1996

[54] DIRECTIONAL FLOW STRUCTURAL TEE

4,740,017	4/1988	Grabowski	285/156
4,848,396	7/1989	Sisk .	
4,889,318	12/1989	Sisk .	
5,007,666	4/1991	Kyfes	285/156
5,387,015	2/1995	Sisk	285/156

[76] Inventor: David E. Sisk, 7353 Hillsboro Rd.,
Bonne Terre, Mo. 63628

[**] Term: 14 Years

Primary Examiner—Stella Reid
Assistant Examiner—G. Andoll
Attorney, Agent, or Firm—Paul M. Denk

[21] Appl. No.: 40,835

[22] Filed: Jun. 28, 1995

[52] U.S. Cl. D23/263

[58] Field of Search D23/263-265;
285/155, 156, 55

[57] CLAIM

The ornamental design for the directional flow structural tee, as shown and described.

[56] References Cited

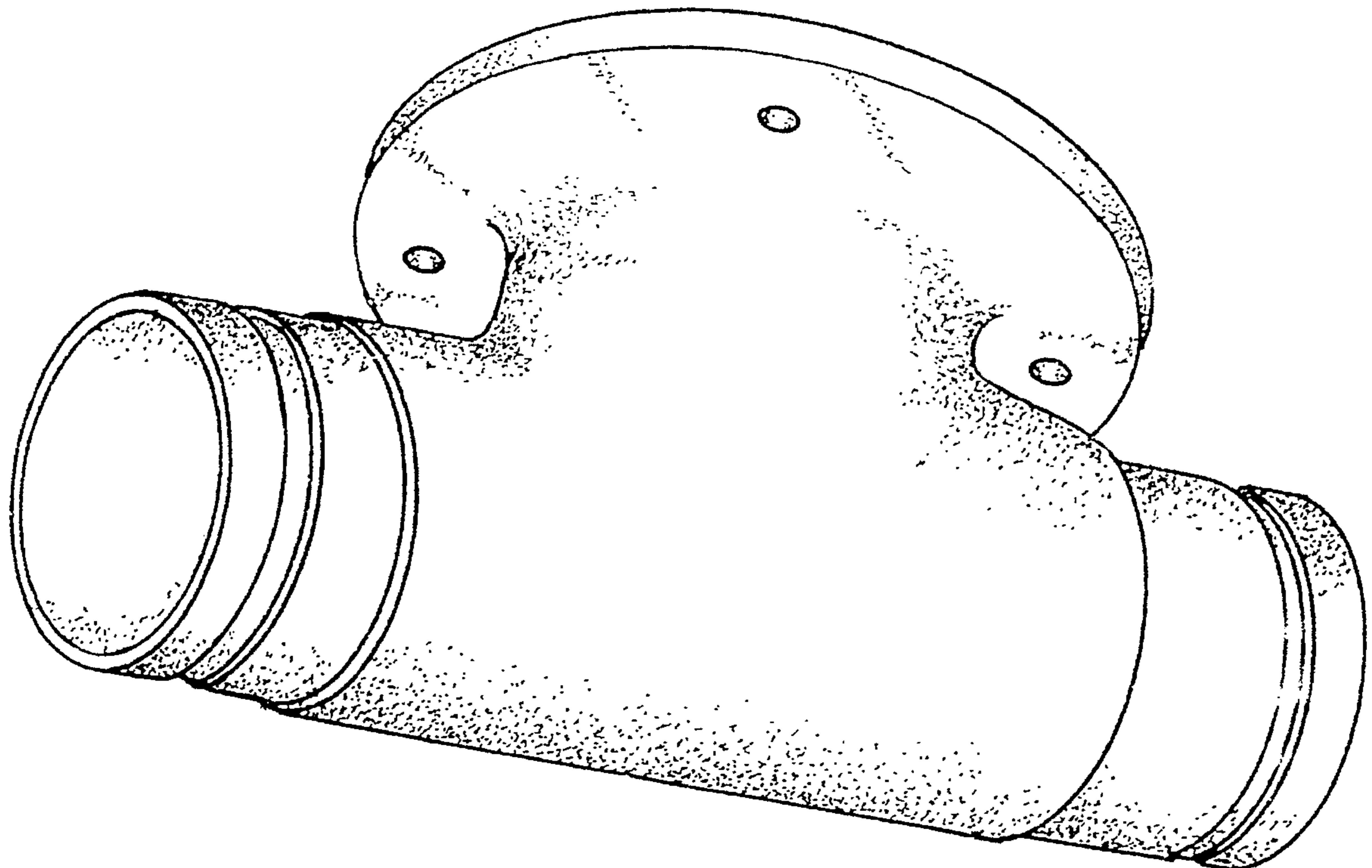
DESCRIPTION

U.S. PATENT DOCUMENTS

D. 260,810	9/1981	Cleveland .	
D. 279,323	6/1985	Spenceley .	
D. 283,265	4/1986	Preskey et al. .	
D. 291,480	8/1987	Vassallo et al. .	
D. 297,678	9/1988	Sisk .	
D. 358,202	5/1995	Sisk	D23/263
1,270,049	6/1918	Murray	285/156
1,407,791	2/1922	Fowler et al.	285/155
1,860,346	5/1932	Anderson .	
3,039,795	6/1962	Reuter .	
3,245,725	4/1966	Wildman, Jr. .	
3,762,772	10/1973	Fuss .	
4,047,741	9/1977	Pertriaux .	
4,104,889	8/1978	Hoenisch .	
4,106,797	8/1978	Michael	285/156
4,116,491	9/1978	Ply .	
4,506,918	3/1985	Friedrich et al. .	
4,648,628	3/1987	Meadows et al. .	

FIG. 1 is an isometric view of the first embodiment of a directional flow structural tee, showing my new design;
 FIG. 2 is a top plan view;
 FIG. 3 is a right side view, the left side view being a mirror image thereof;
 FIG. 4 is a bottom plan view;
 FIG. 5 is a front view;
 FIG. 6 is a rear view;
 FIG. 7 is an isometric view of the second embodiment of a directional flow structural tee, showing my new design;
 FIG. 8 is a top plan view;
 FIG. 9 is a right view, the left side view being a mirror image thereof;
 FIG. 10 is a bottom plan view;
 FIG. 11 is a front view; and,
 FIG. 12 is a rear view.

1 Claim, 4 Drawing Sheets



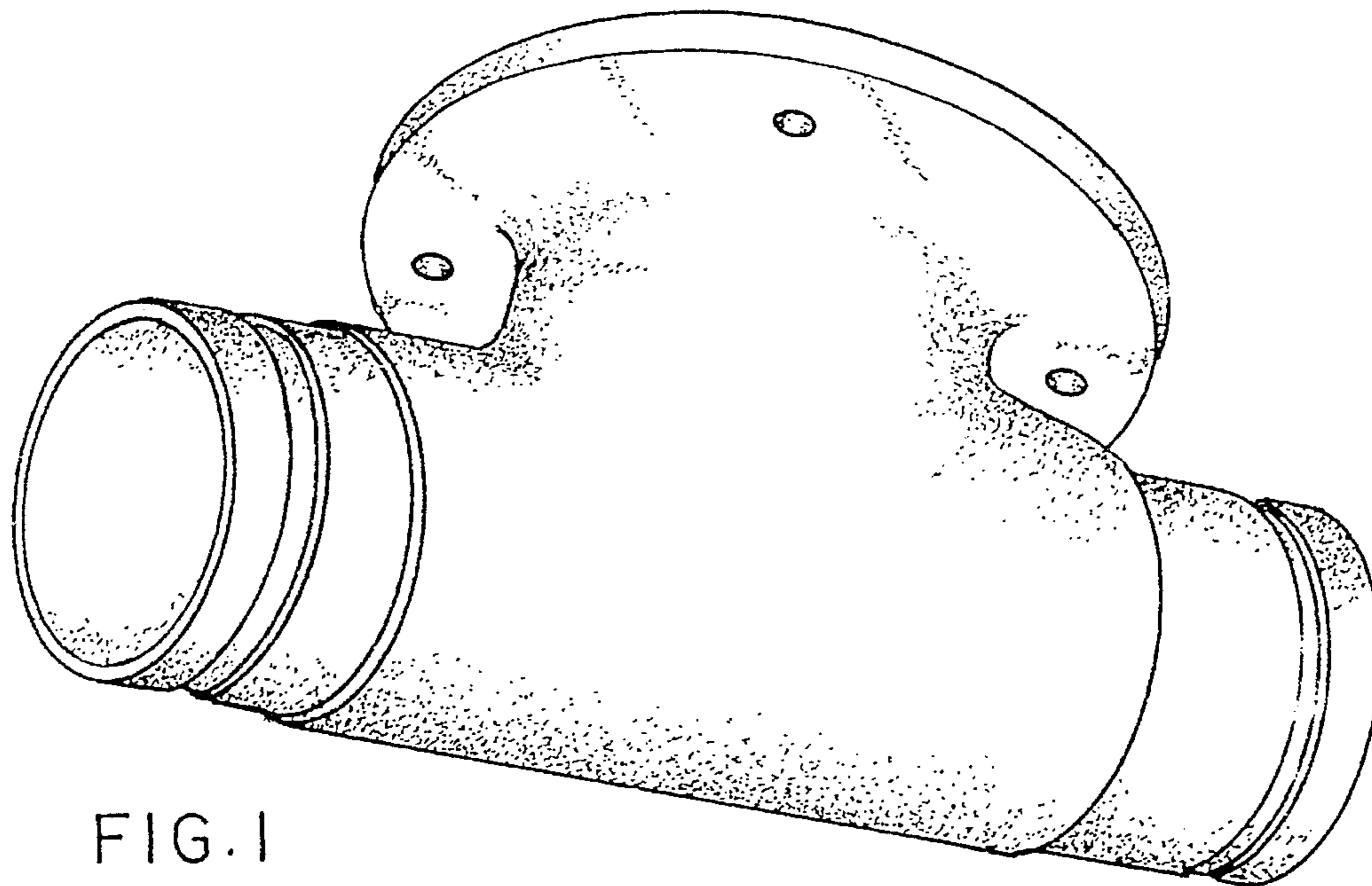


FIG. 1

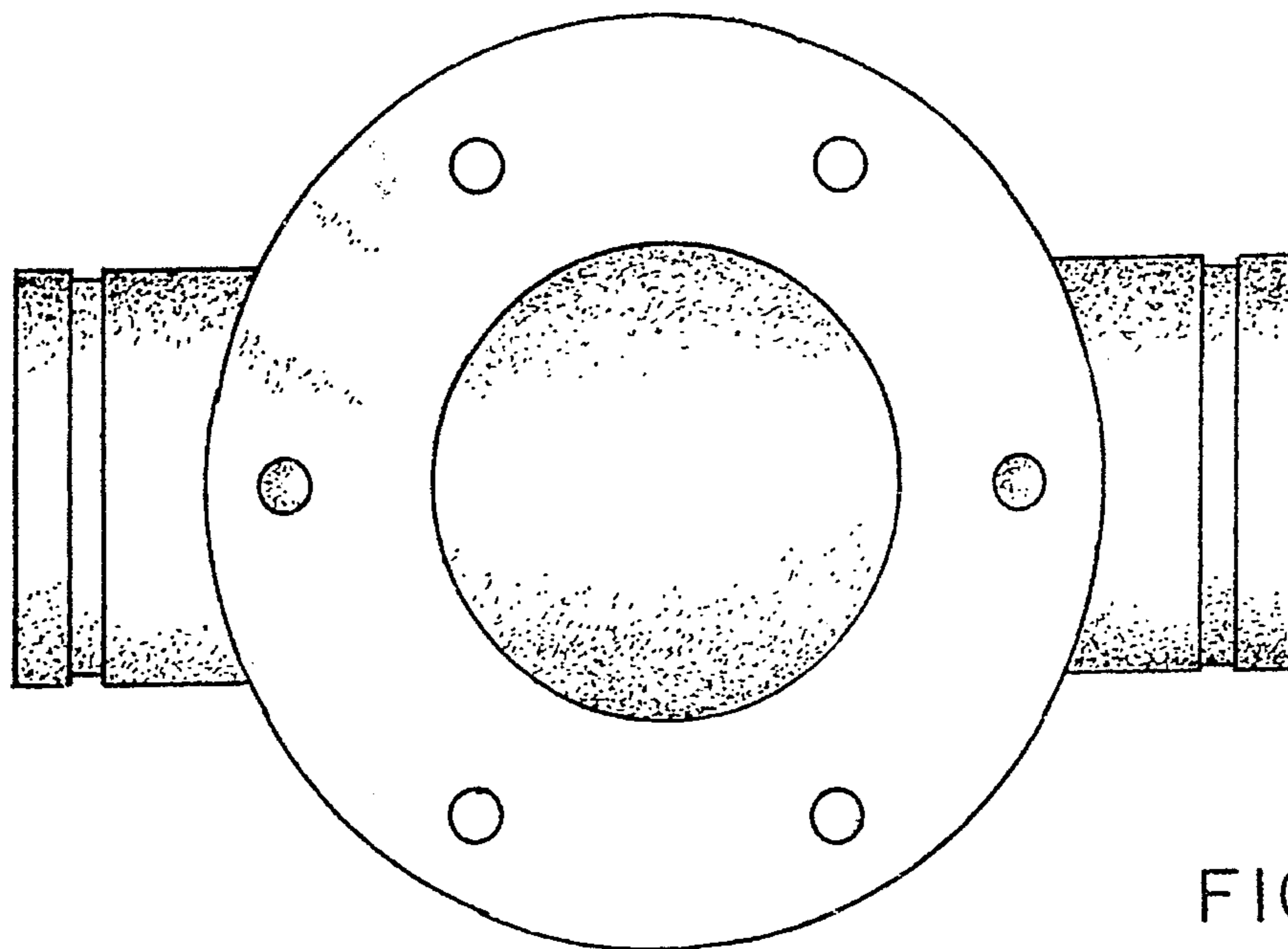


FIG. 2

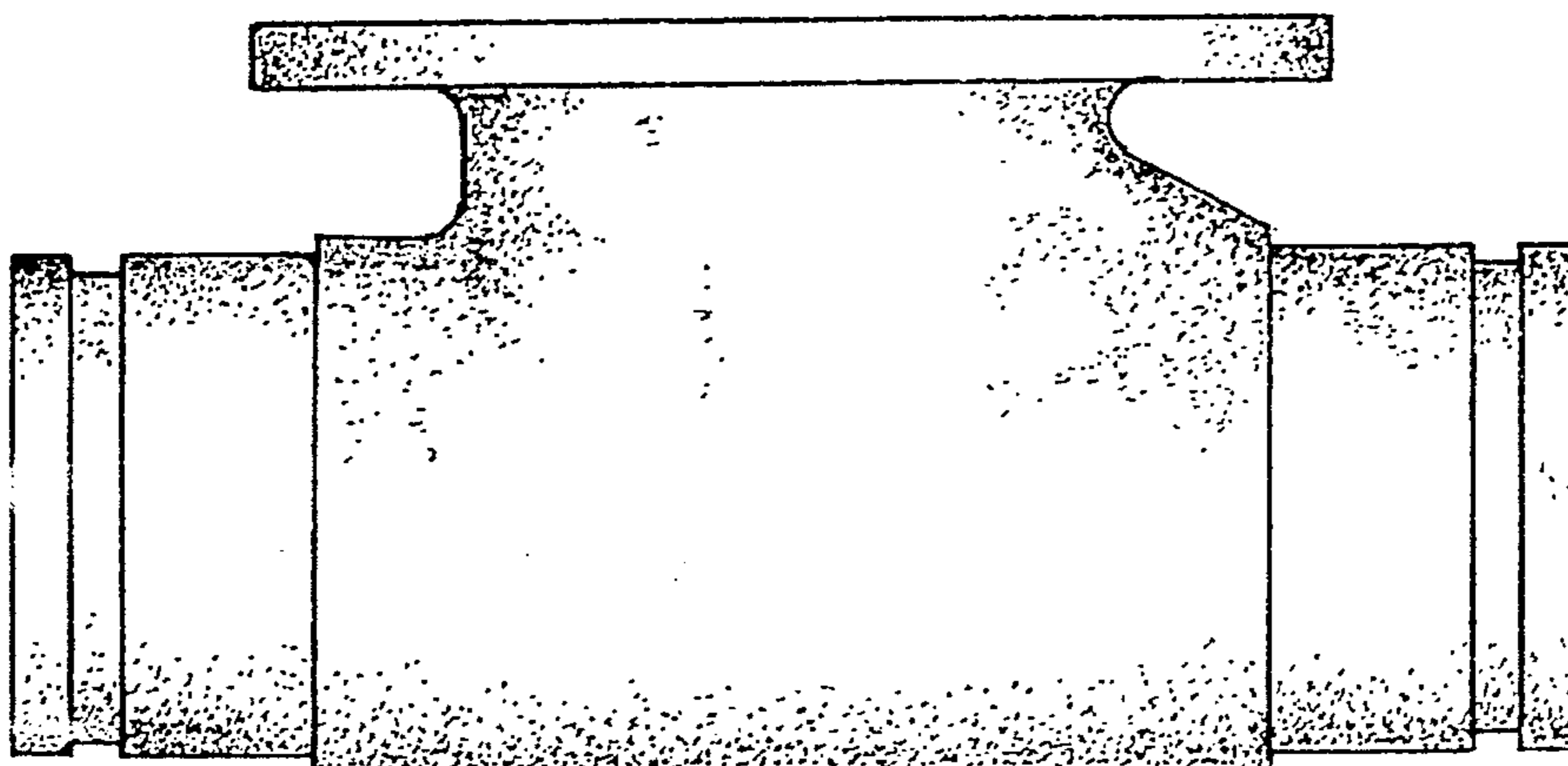


FIG. 3

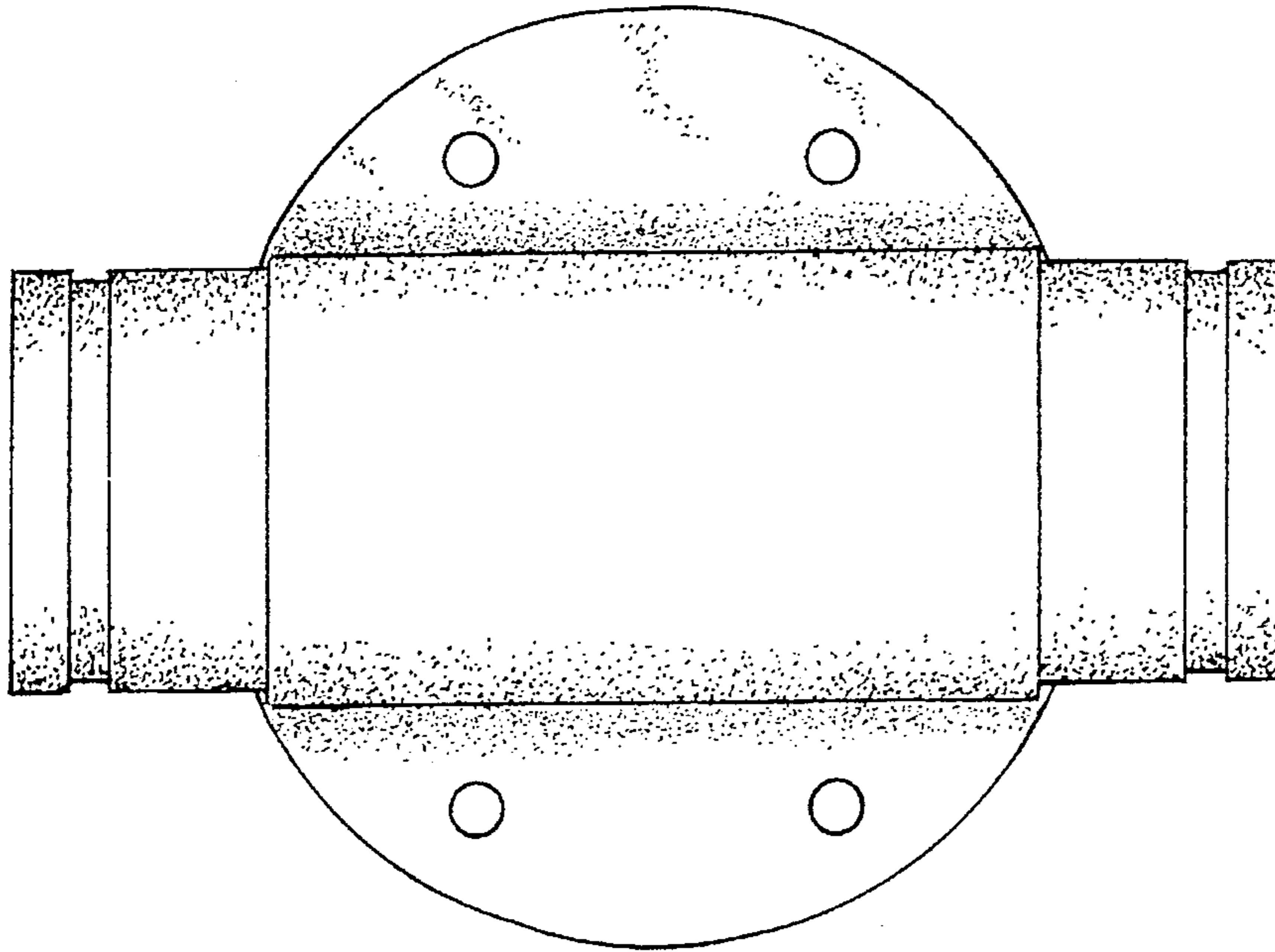


FIG. 4

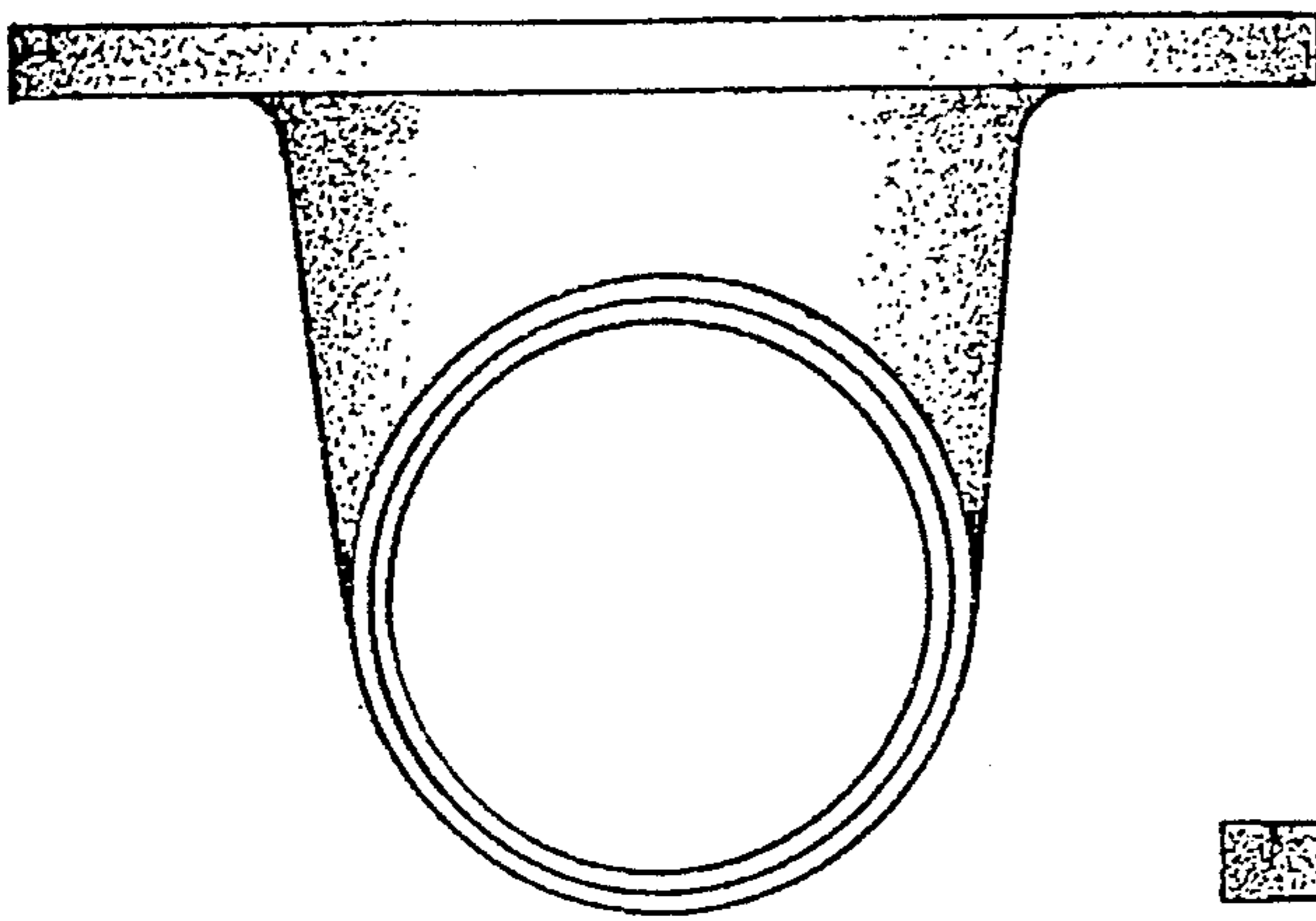


FIG. 5

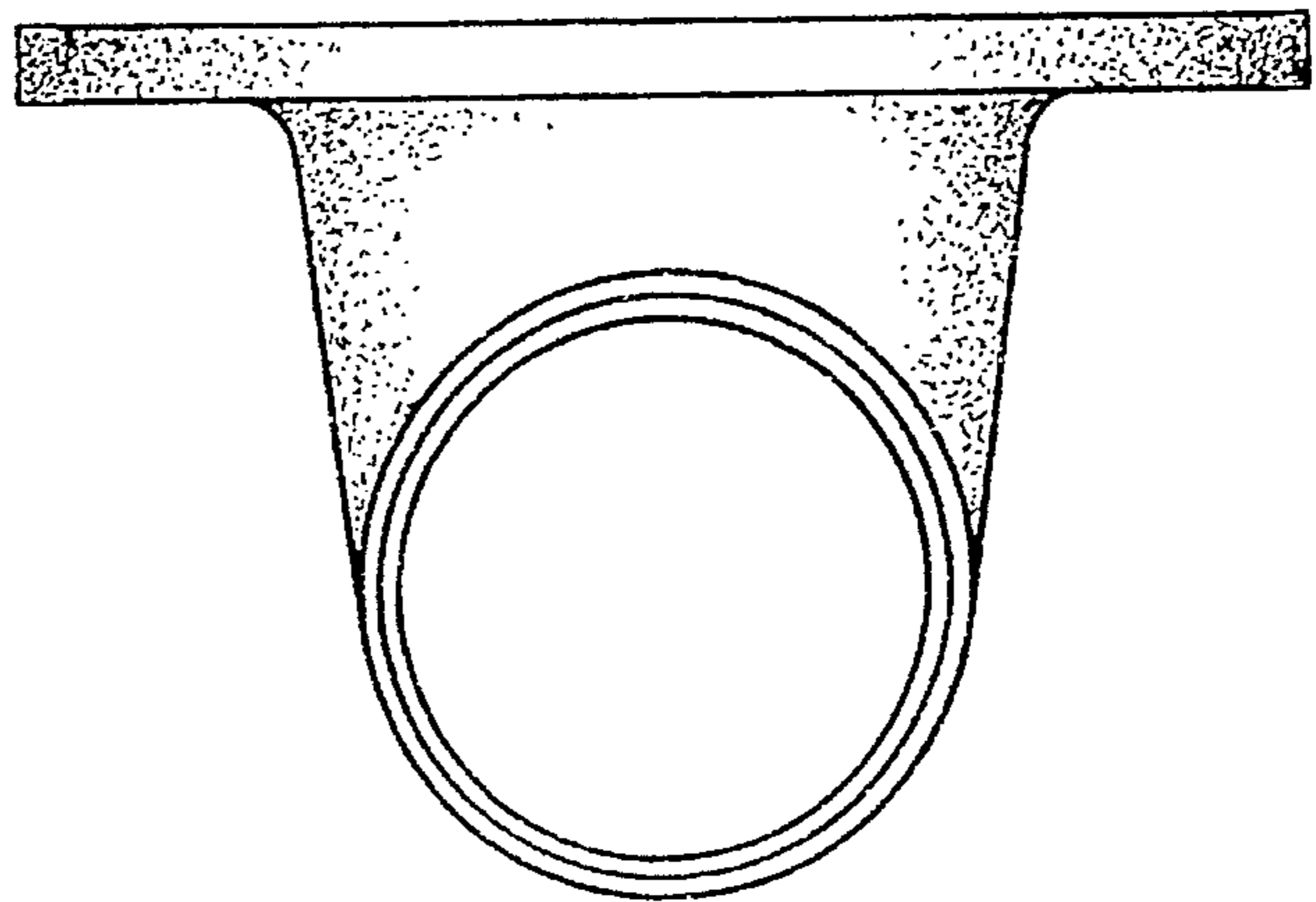


FIG. 6

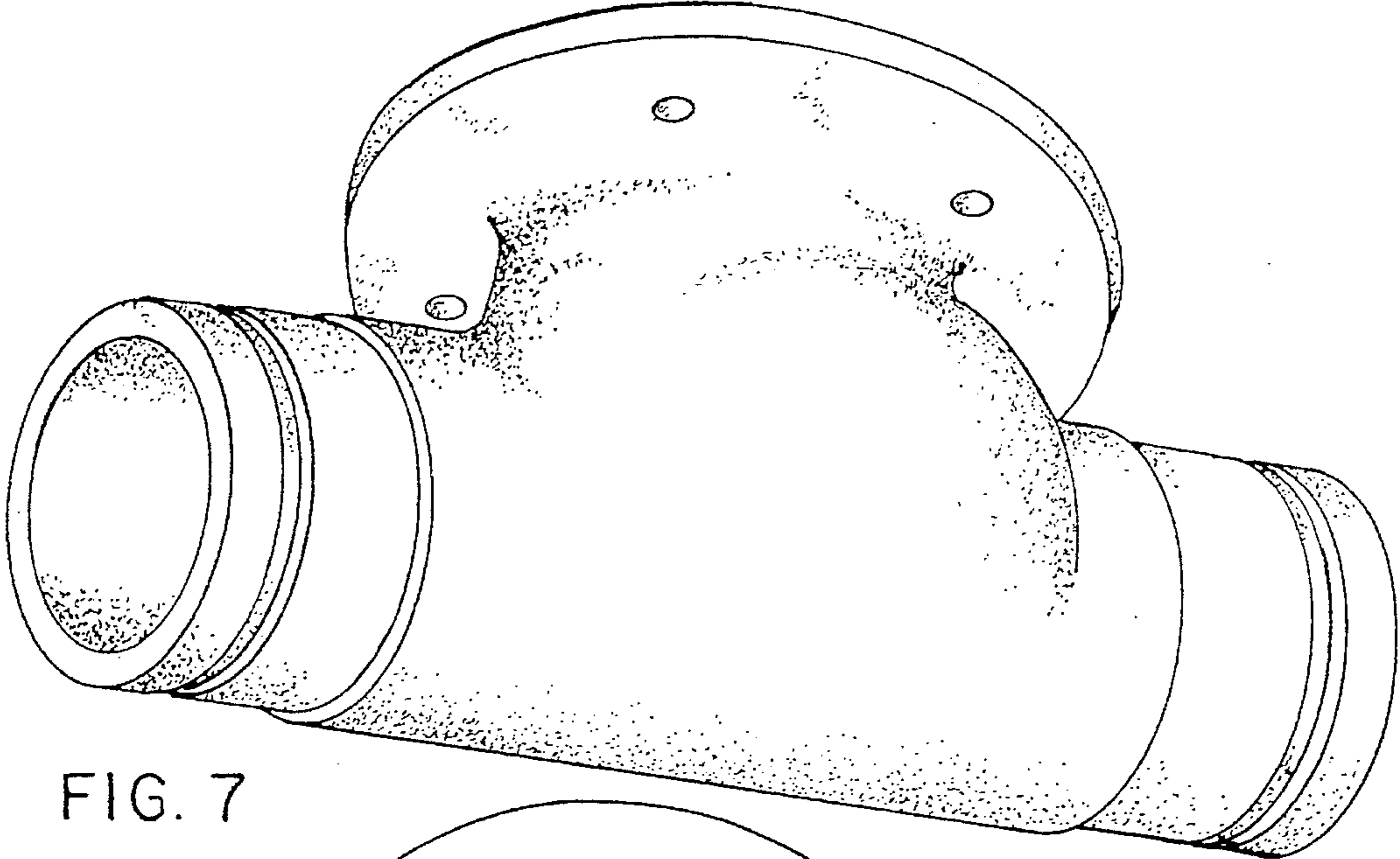


FIG. 7

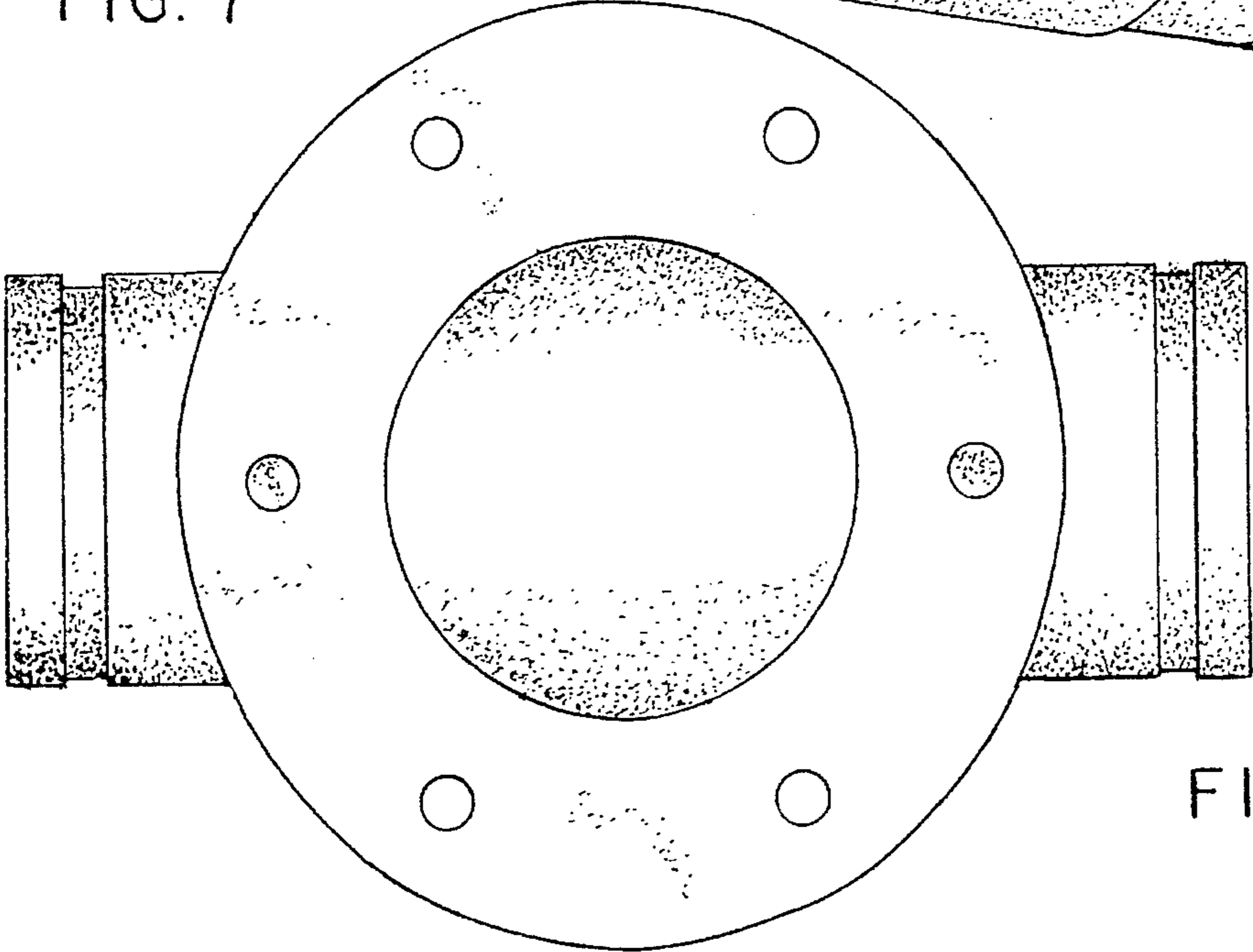


FIG. 8

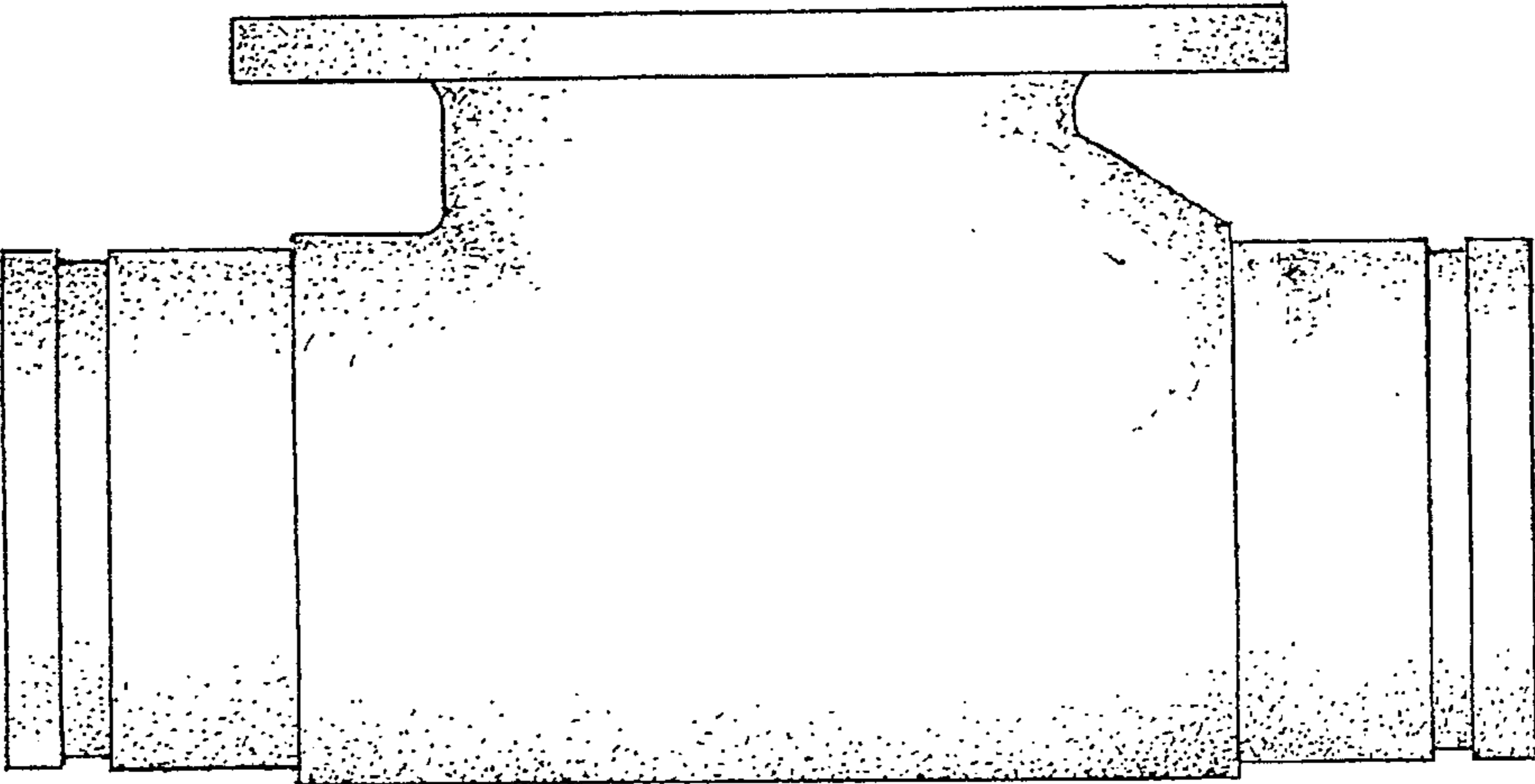


FIG. 9

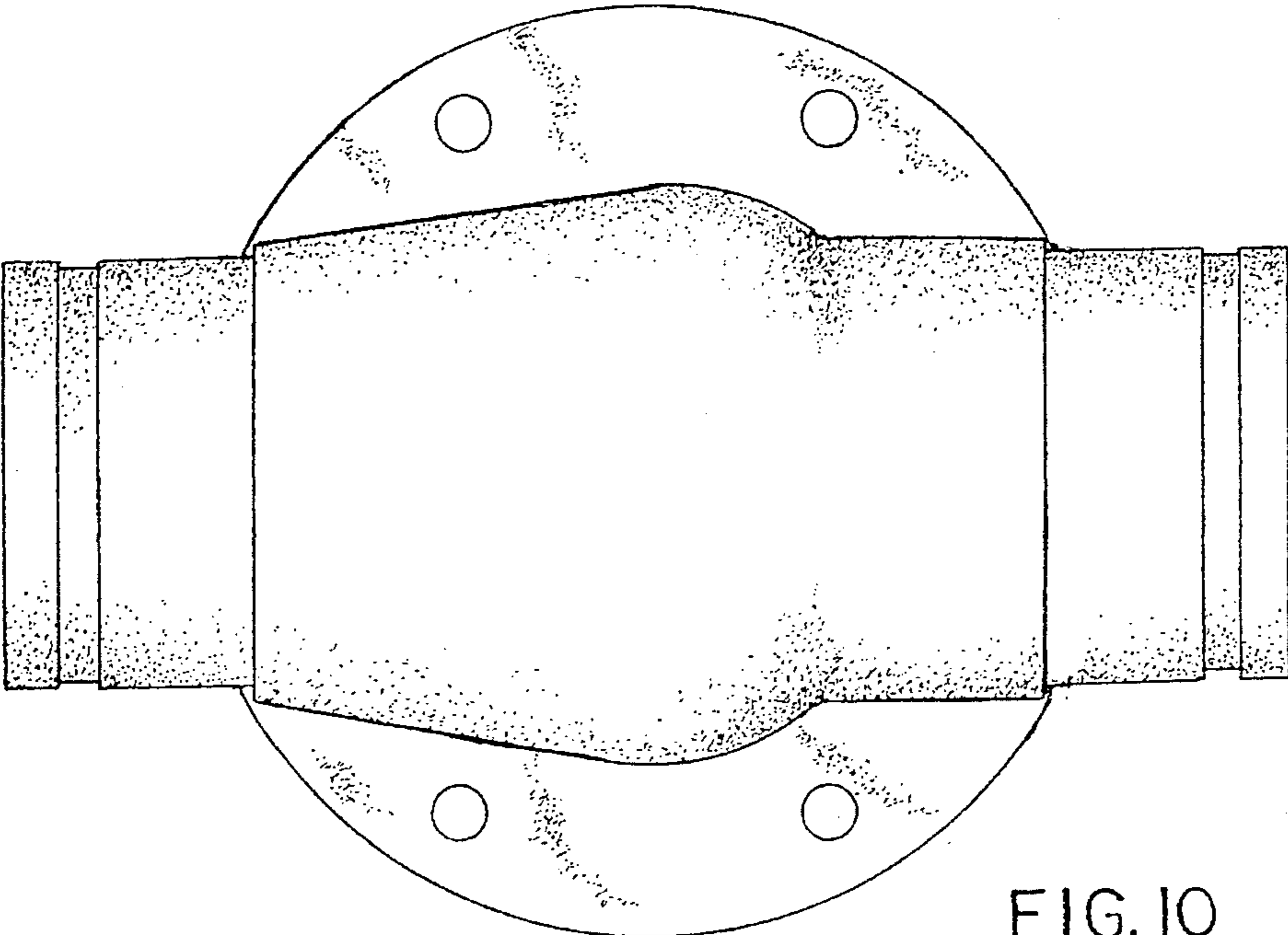


FIG. 10

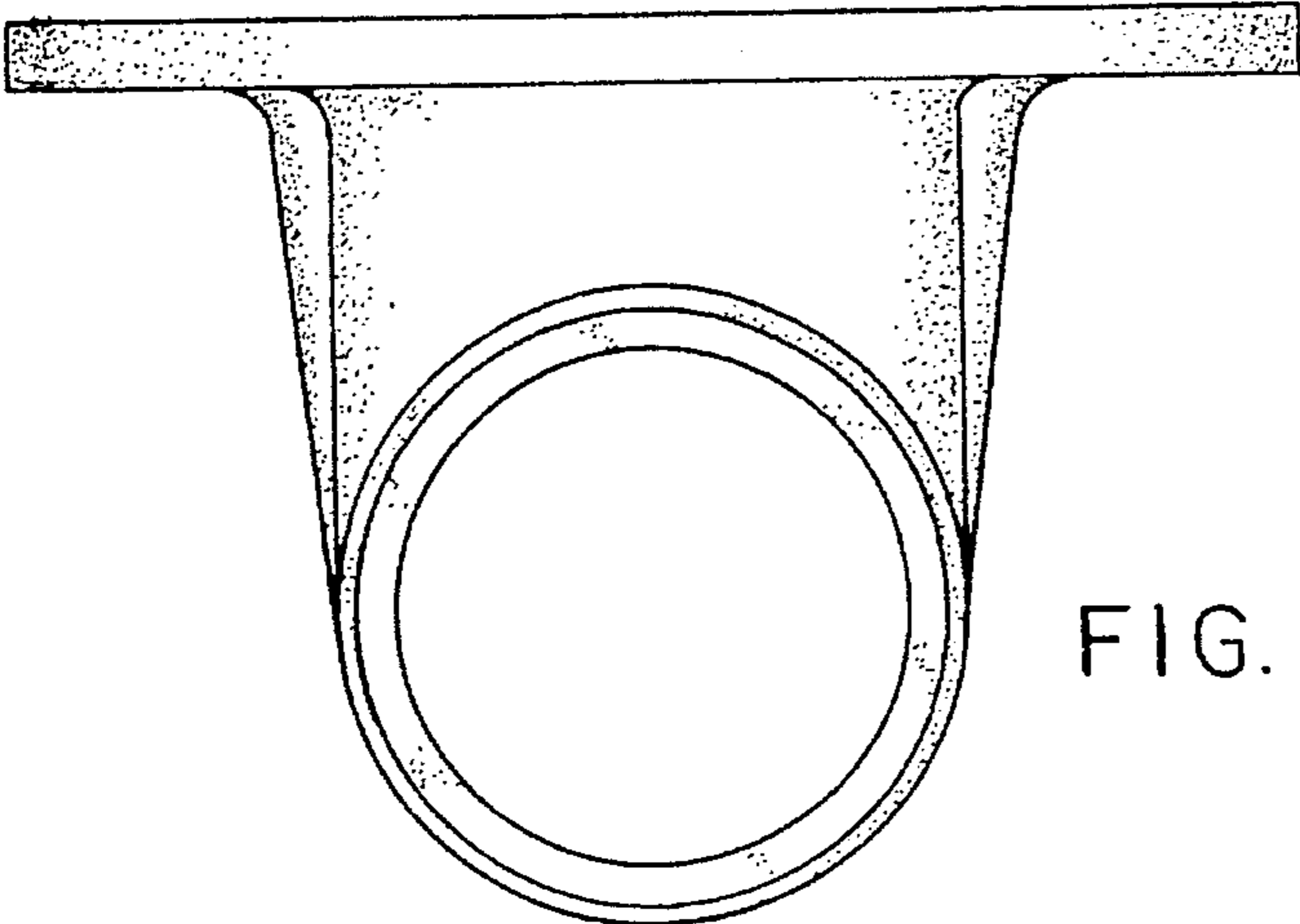


FIG. 11

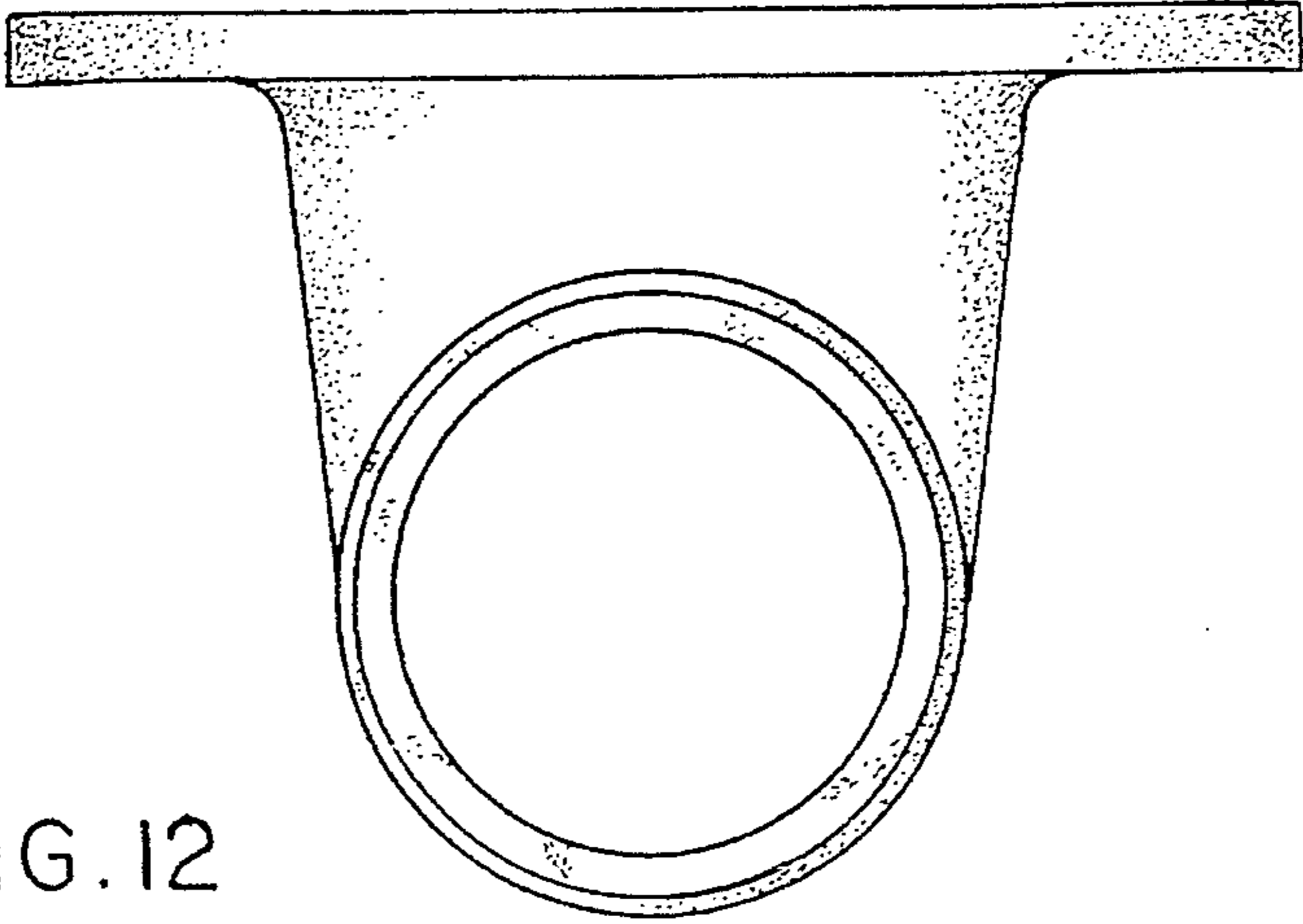


FIG. 12