



US00D376415S

United States Patent [19]

[11] **Patent Number: Des. 376,415**

Shemtov

[45] **Date of Patent: **Dec. 10, 1996**

[54] **CONNECTOR BODY**

4,610,517 9/1986 Fukino et al. 285/404 X
5,234,234 8/1993 Hearn 285/404 X

[75] Inventor: **Sami Shemtov**, Hollywood, Fla.

Primary Examiner—Antoine Duval Davis

[73] Assignee: **Cooper Industries Inc.**, Houston, Tex.

Attorney, Agent, or Firm—Eddie Scott; William B. Patterson

[**] Term: **14 Years**

[57] **CLAIM**

[21] Appl. No.: **39,126**

The ornamental design for a connector body, as shown.

[22] Filed: **May 22, 1995**

DESCRIPTION

[52] U.S. Cl. **D23/262**

FIG. 1 is a front view of my new design;

[58] **Field of Search** D23/259-269;
285/158, 205, 206, 209, 89-92, 245-249,
404; 403/409.1; 411/398

FIG. 2 is a top view thereof;

FIG. 3 is a left end view thereof;

FIG. 4 is a right end view thereof;

FIG. 5 is a bottom view thereof; and,

FIG. 6 is a back view thereof.

[56] **References Cited**

U.S. PATENT DOCUMENTS

D. 332,482 1/1993 Petty et al. D23/262

1 Claim, 1 Drawing Sheet

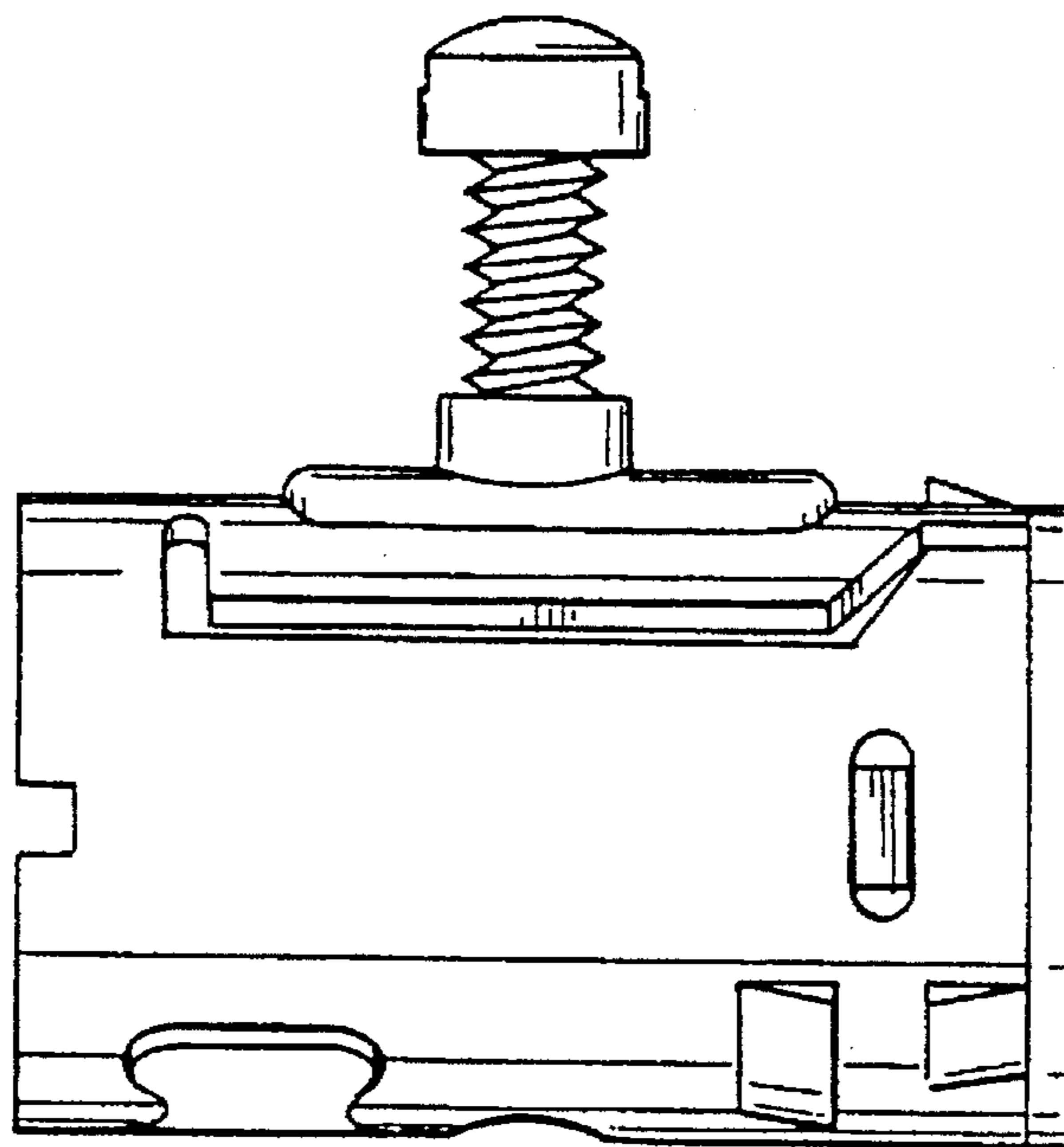


FIG. 2

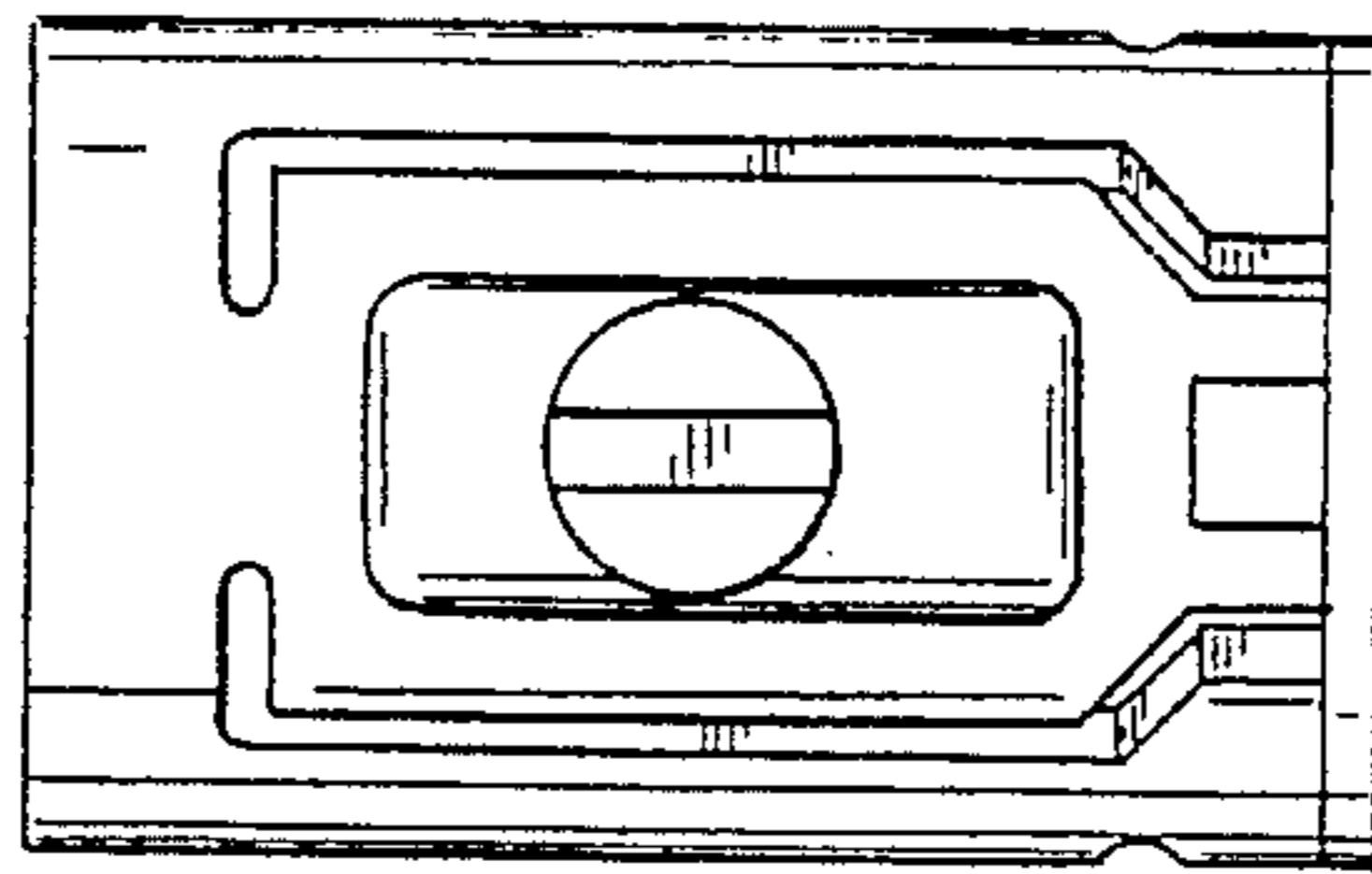


FIG. 1

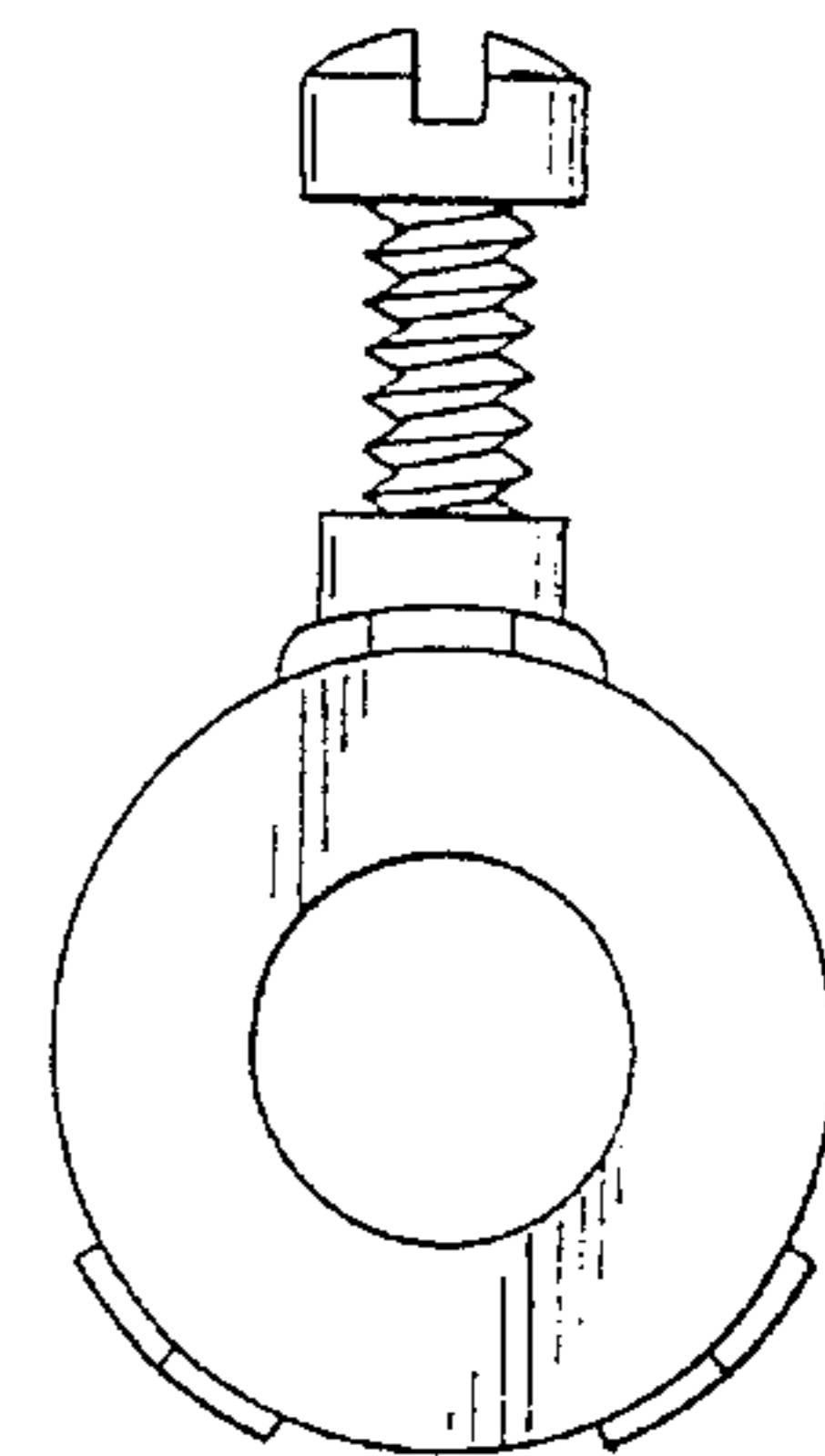
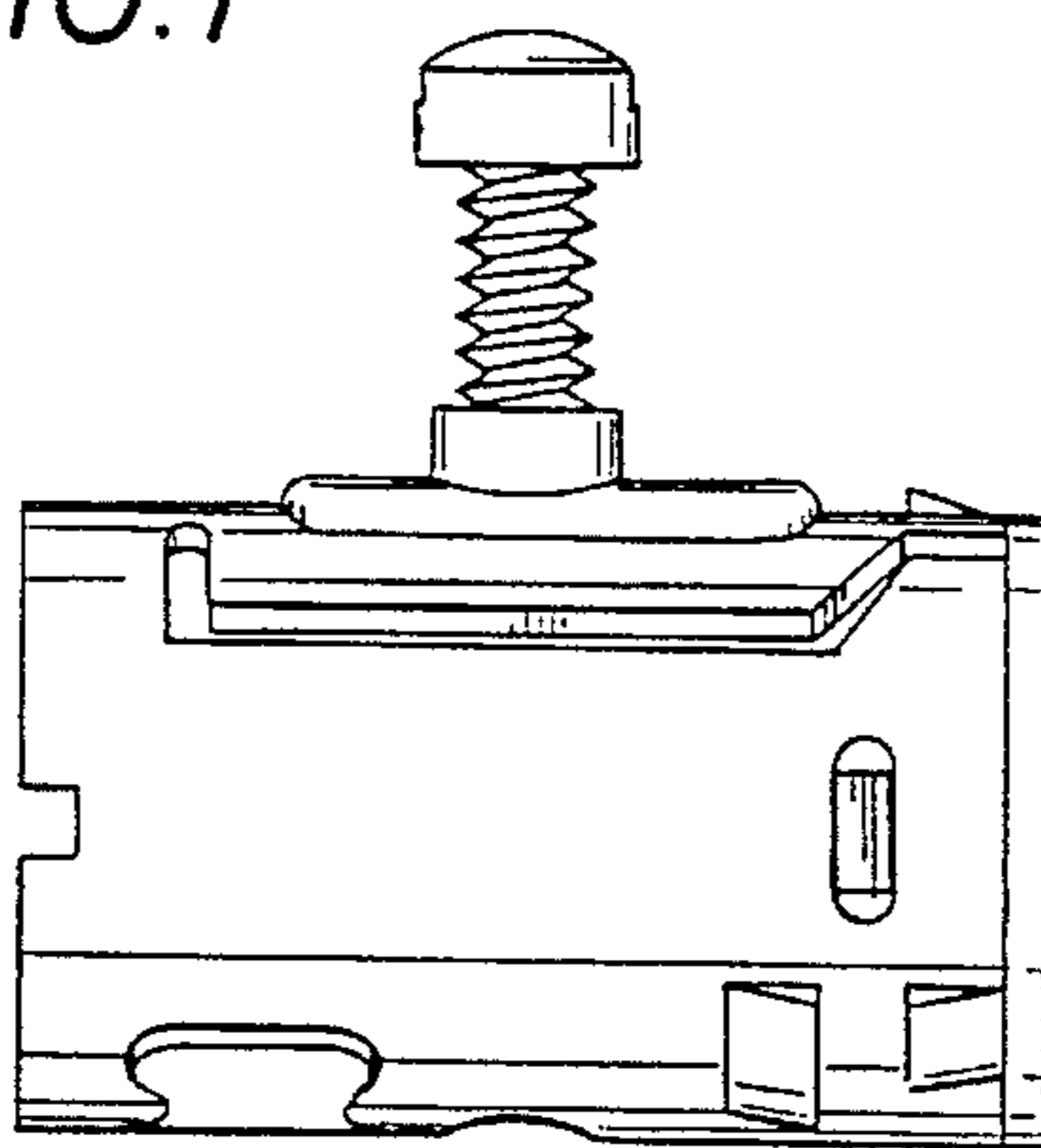
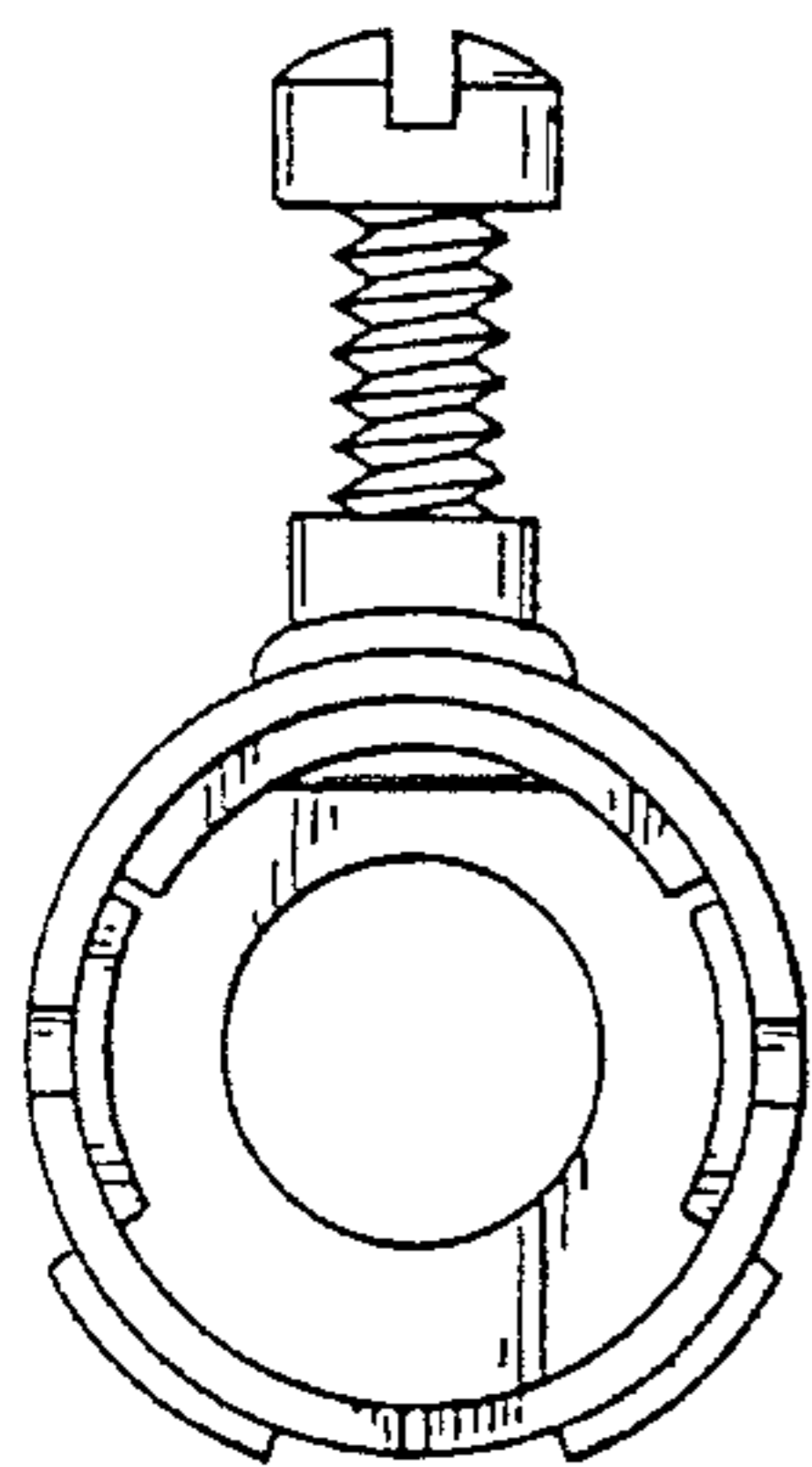


FIG. 3

FIG. 4

FIG. 5

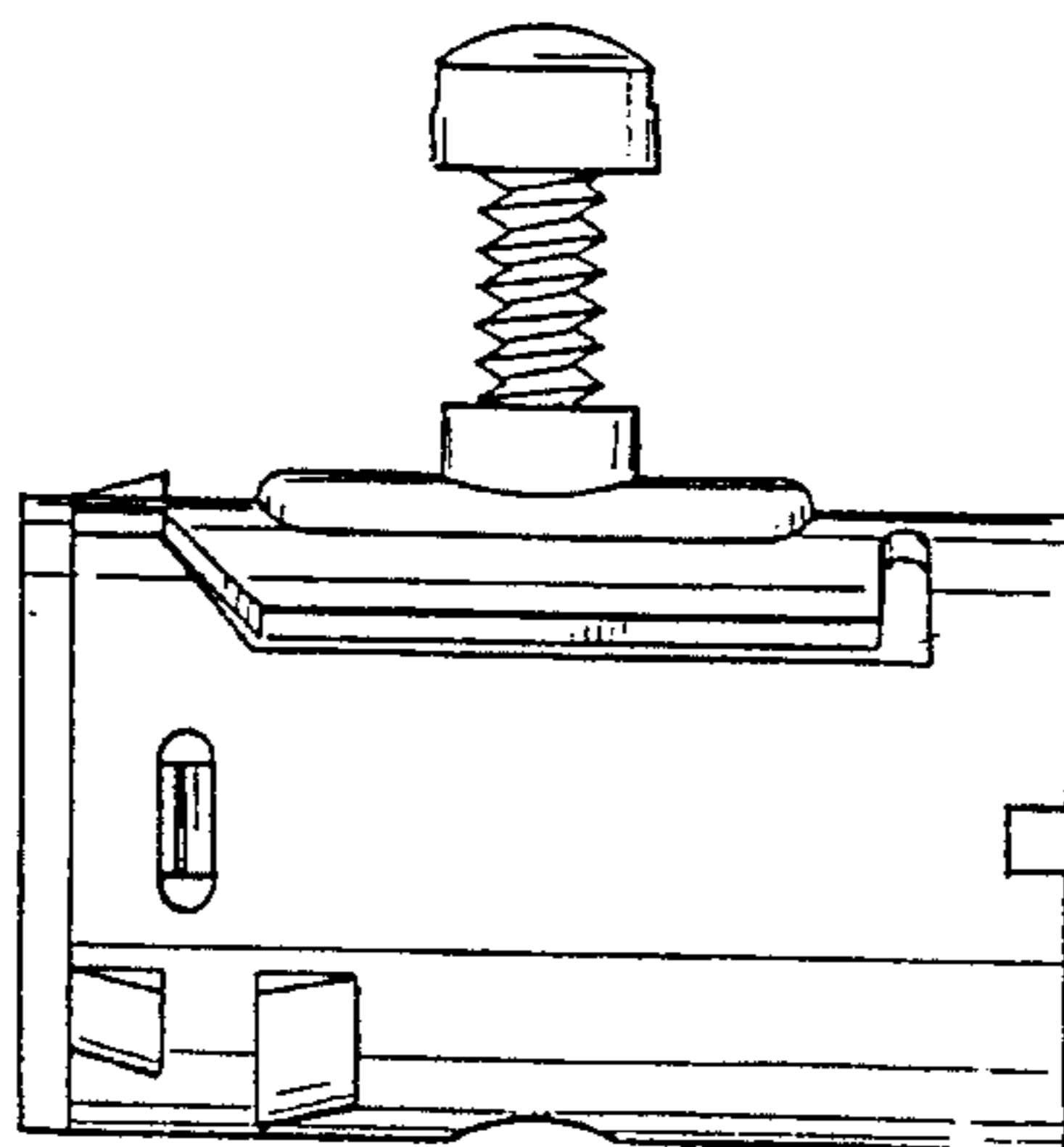
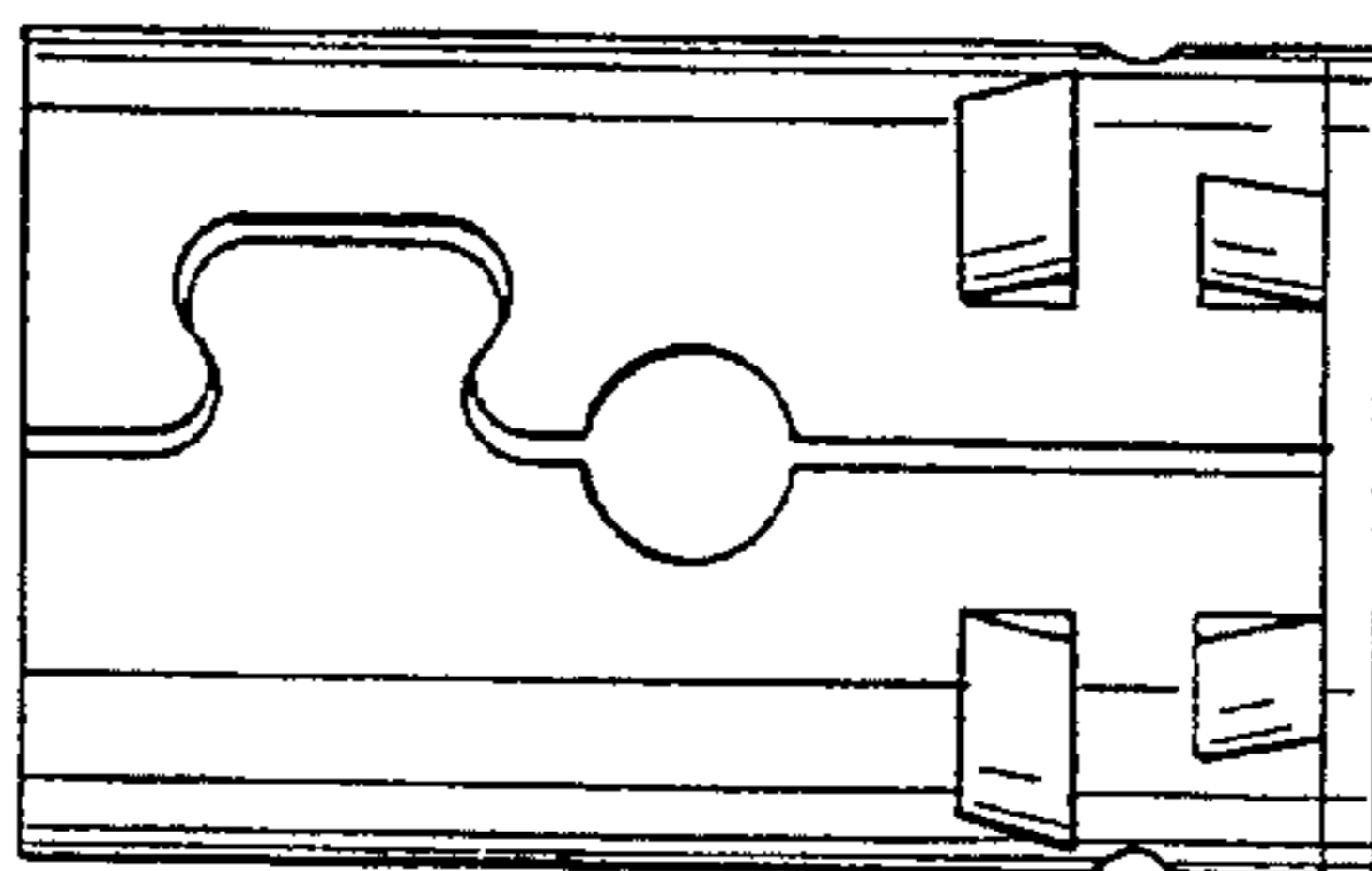


FIG. 6