



US00D376412S

United States Patent [19]

[11] Patent Number: **Des. 376,412**

Bodell et al.

[45] Date of Patent: ****Dec. 10, 1996**

[54] **VALVE CHEST FOR A UNITARY VALVE ASSEMBLY**

| | | | |
|-----------|--------|--------------|------------|
| 1,866,431 | 7/1932 | Swindler | 137/556.6 |
| 1,947,430 | 2/1934 | Demoooy | . |
| 2,707,940 | 5/1955 | Harris | 137/102 |
| 4,183,414 | 1/1980 | Tamai et al. | . |
| 4,674,529 | 6/1987 | Ferguson | 137/533.17 |
| 5,307,881 | 5/1994 | Kimberlin | . |

[75] Inventors: **Steven W. Bodell**, Troutville; **Ted C. Chang**, Roanoke, both of Va.

[73] Assignee: **Ingersoll-Rand Company**, Woodcliff Lake, N.J.

Primary Examiner—Louis S. Zarfes
Assistant Examiner—Gregory Andoll
Attorney, Agent, or Firm—John J. Selko

[**] Term: **14 Years**

[57] CLAIM

[21] Appl. No.: **26,510**

The ornamental design for a valve chest for a unitary valve assembly, as shown and described.

[22] Filed: **Jul. 29, 1994**

[52] U.S. Cl. **D23/233; D23/499**

DESCRIPTION

[58] Field of Search **D23/233-237, D23/244-249; 137/102, 91, 532, 533.17, 555.6; D12/211**

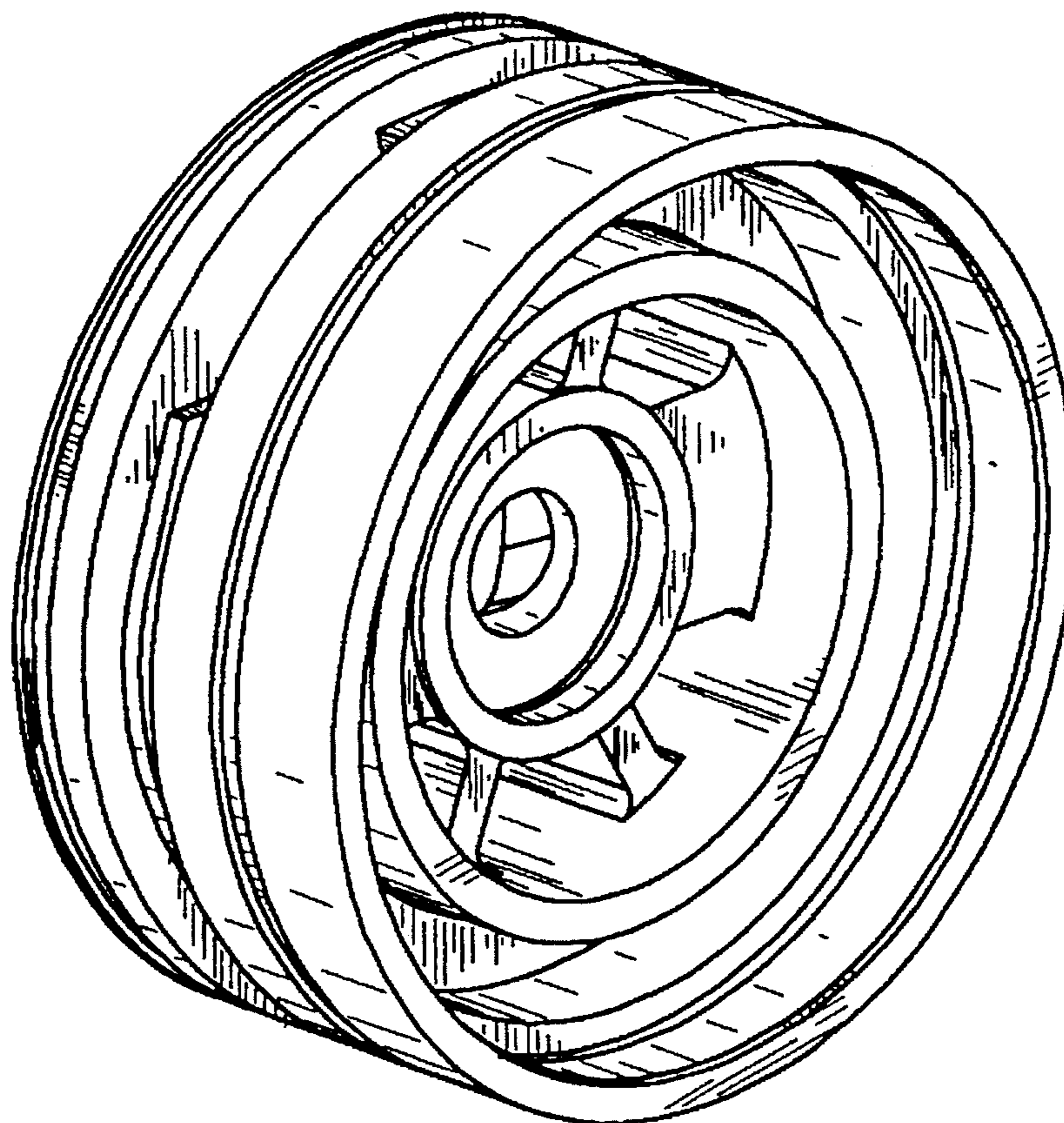
FIG. 1 is a top view of the valve chest;
FIG. 2 is a bottom view thereof;
FIG. 3 is a front view thereof, and a back view thereof, the back view being a mirror image of the front view;
FIG. 4 is a left side view thereof, and a right side view thereof, the right side view being a mirror image of the image left side view;
FIG. 5 is a top perspective view thereof; and,
FIG. 6 is a bottom perspective view thereof.

[56] References Cited

U.S. PATENT DOCUMENTS

| | | | |
|------------|---------|---------|---------|
| 54,156 | 11/1919 | West | D12/211 |
| D. 87,990 | 10/1932 | Willard | D12/211 |
| D. 172,119 | 5/1954 | Wilson | D23/249 |
| D. 197,839 | 3/1964 | Logghe | D12/211 |
| D. 219,014 | 10/1970 | Reid | D12/211 |

1 Claim, 3 Drawing Sheets



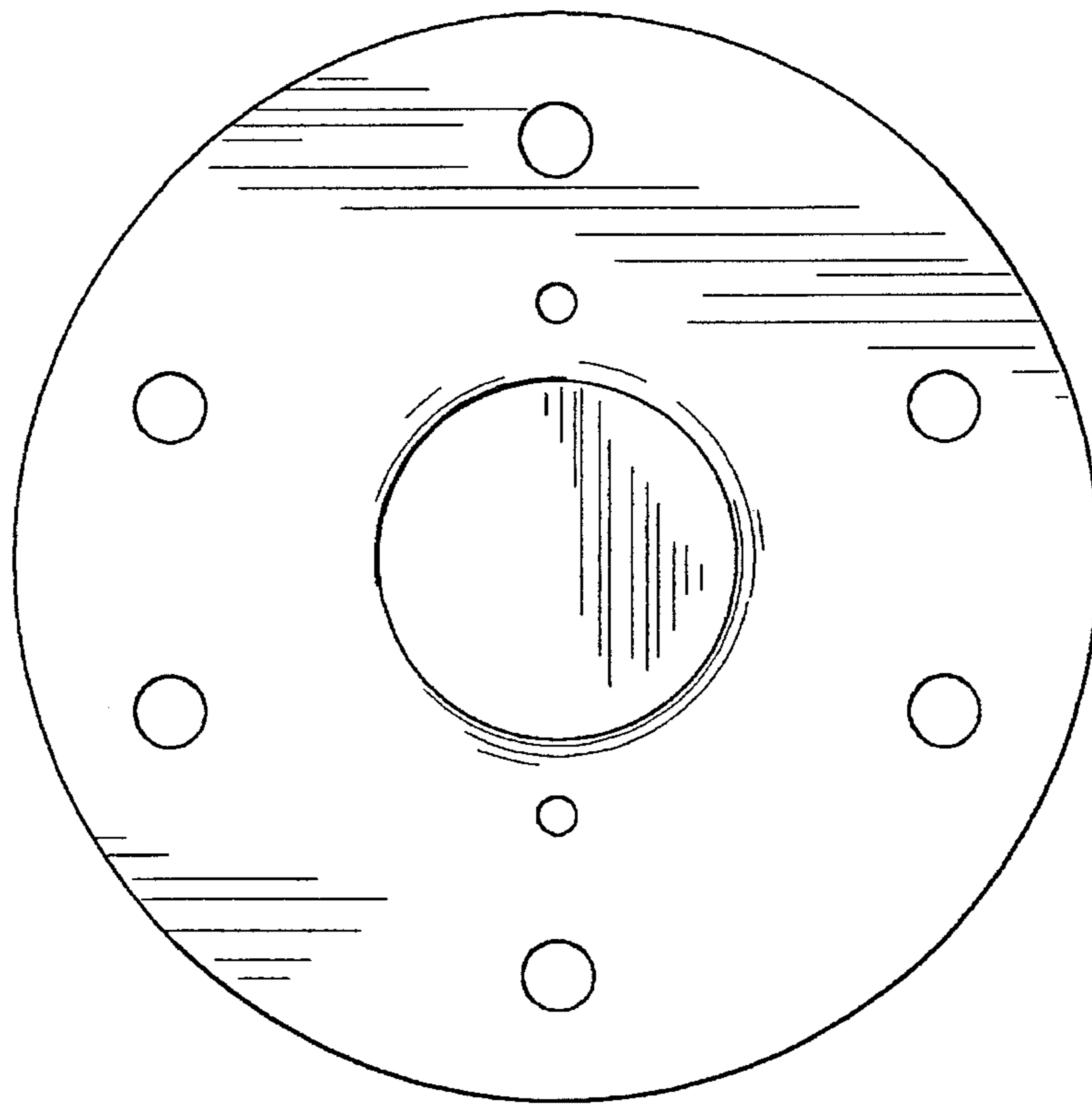


FIG. 1

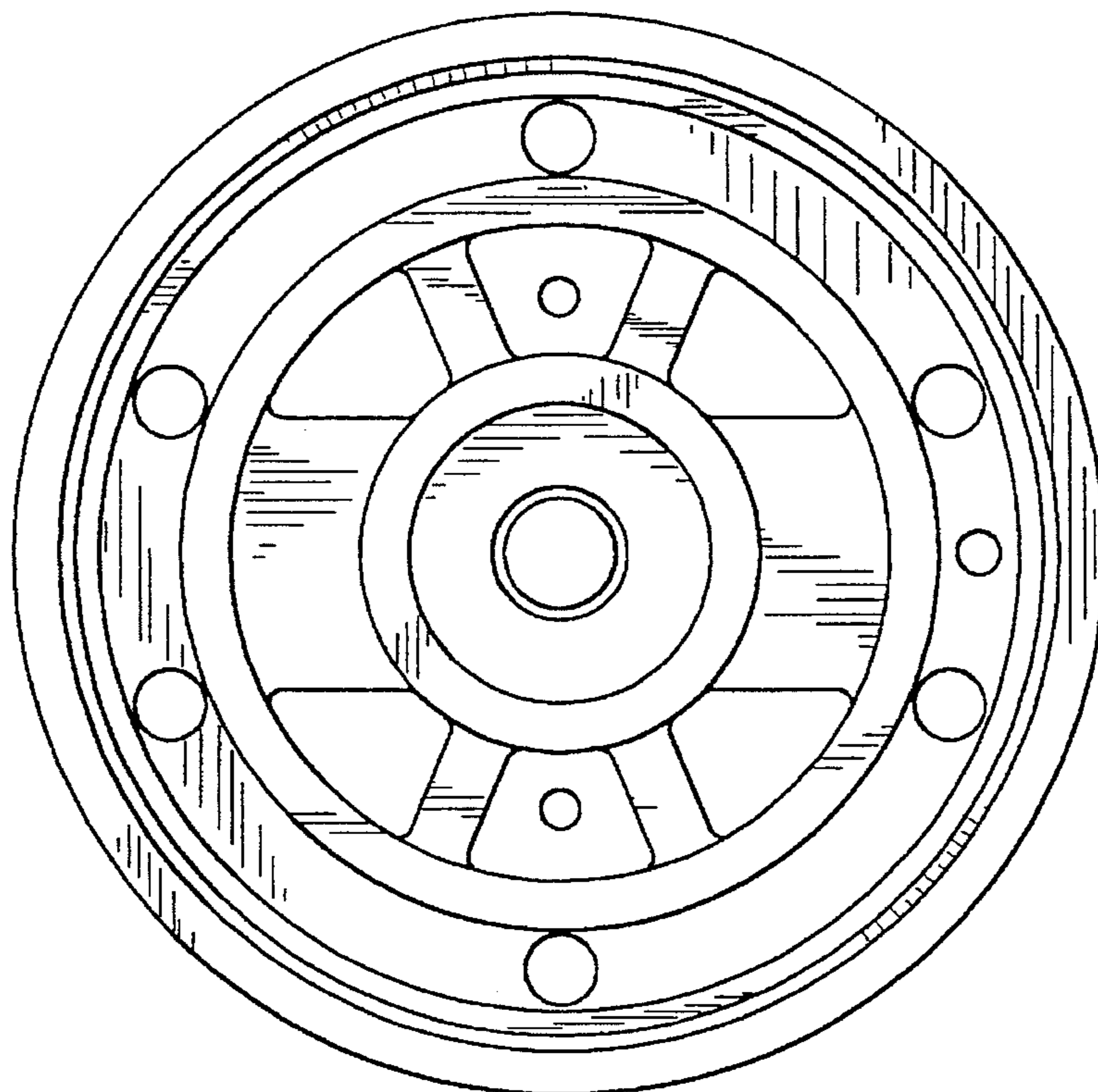


FIG. 2

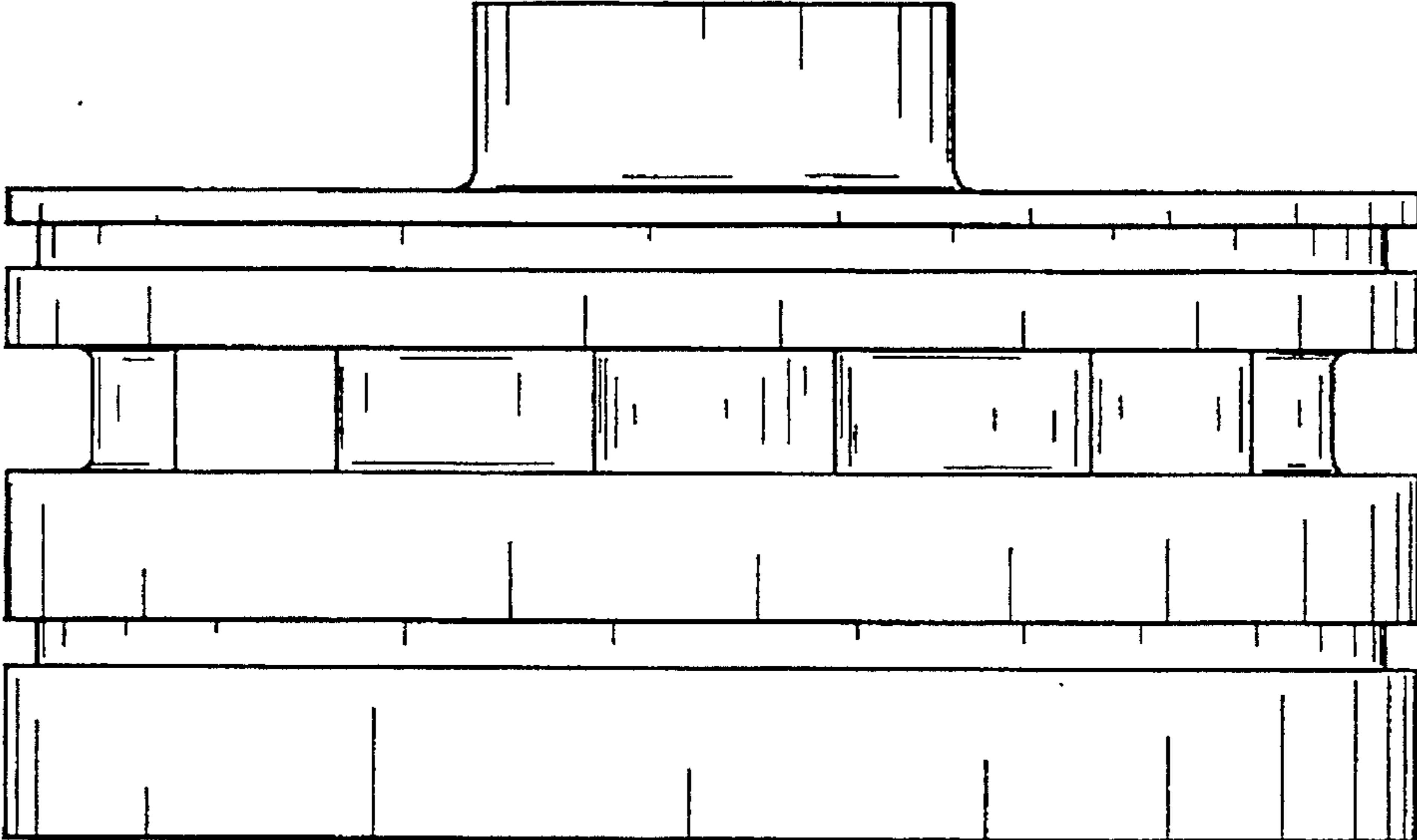


FIG. 3

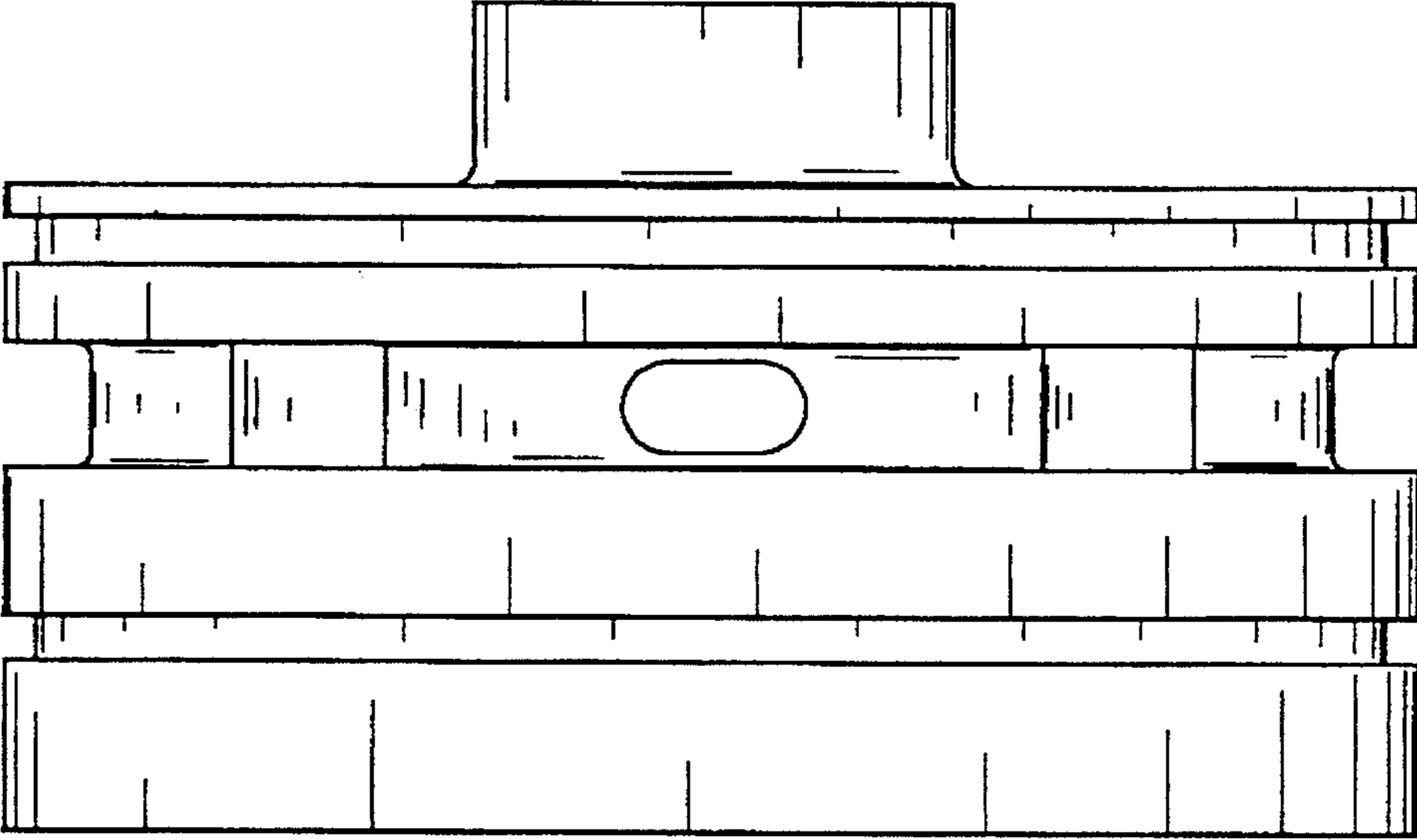


FIG. 4

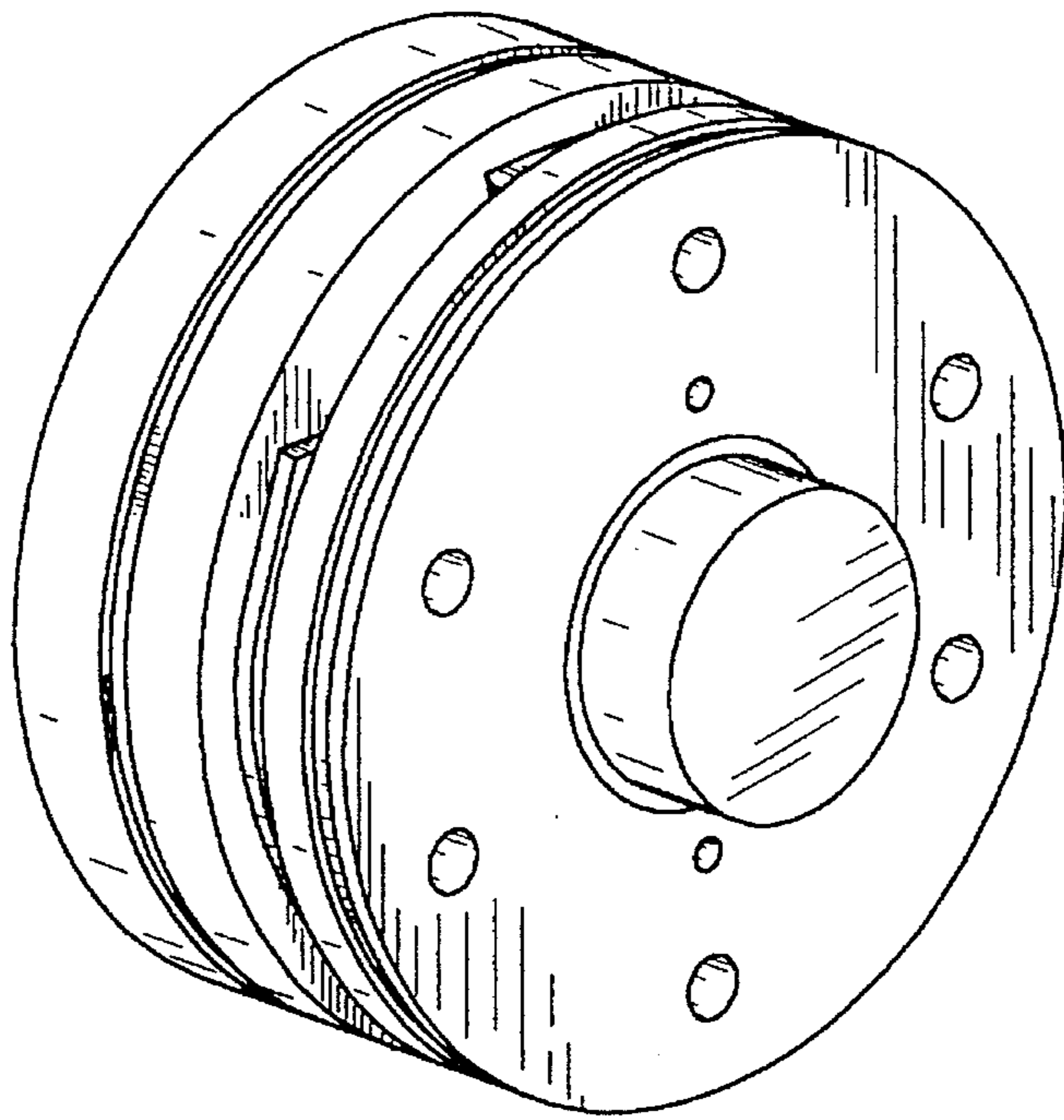


FIG. 5

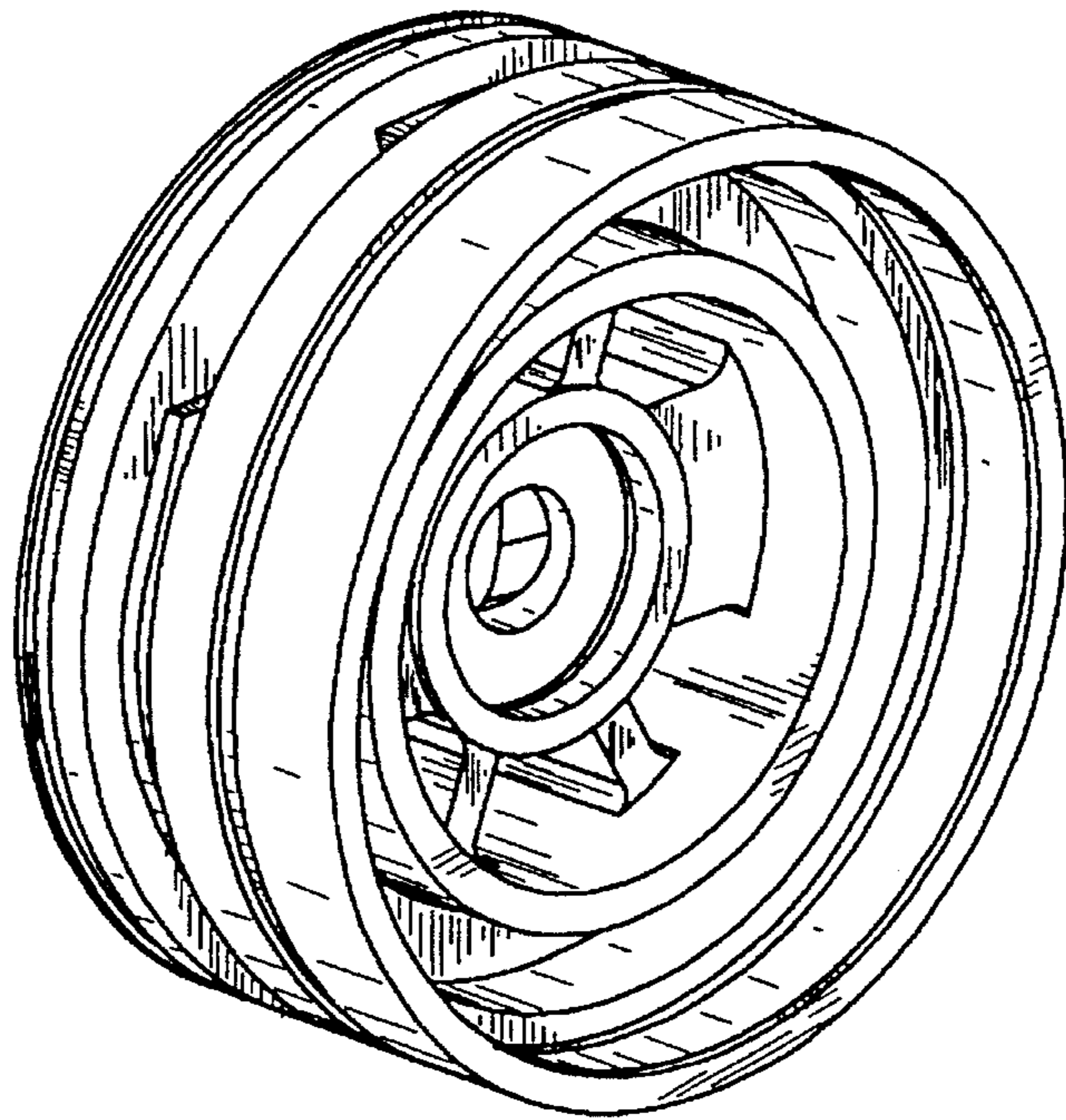


FIG. 6