



US00D376410S

United States Patent [19]

Chen

[11] Patent Number: **Des. 376,410**

[45] Date of Patent: ****Dec. 10, 1996**

[54] **SHOWER NOZZLE**

4,079,891 3/1978 Kwan 239/381

[76] Inventor: **Te-Sen Chen**, No. 31 Alley 52, Lane 81, Shan-Chung St., Jang-Hua City, Taiwan

Primary Examiner—A. Hugo Word
Assistant Examiner—Robin V. Taylor
Attorney, Agent, or Firm—Morton J. Rosenberg; David I. Klein

[**] Term: **14 Years**

[57] **CLAIM**

[21] Appl. No.: **49,440**

The ornamental design for a shower nozzle, as shown and described.

[22] Filed: **Jan. 25, 1996**

[52] U.S. Cl. **D23/223**

DESCRIPTION

[58] **Field of Search** D23/213, 223-230; 239/460-2, 459, 394, 230-3, 380-3, 390-3, 525-8

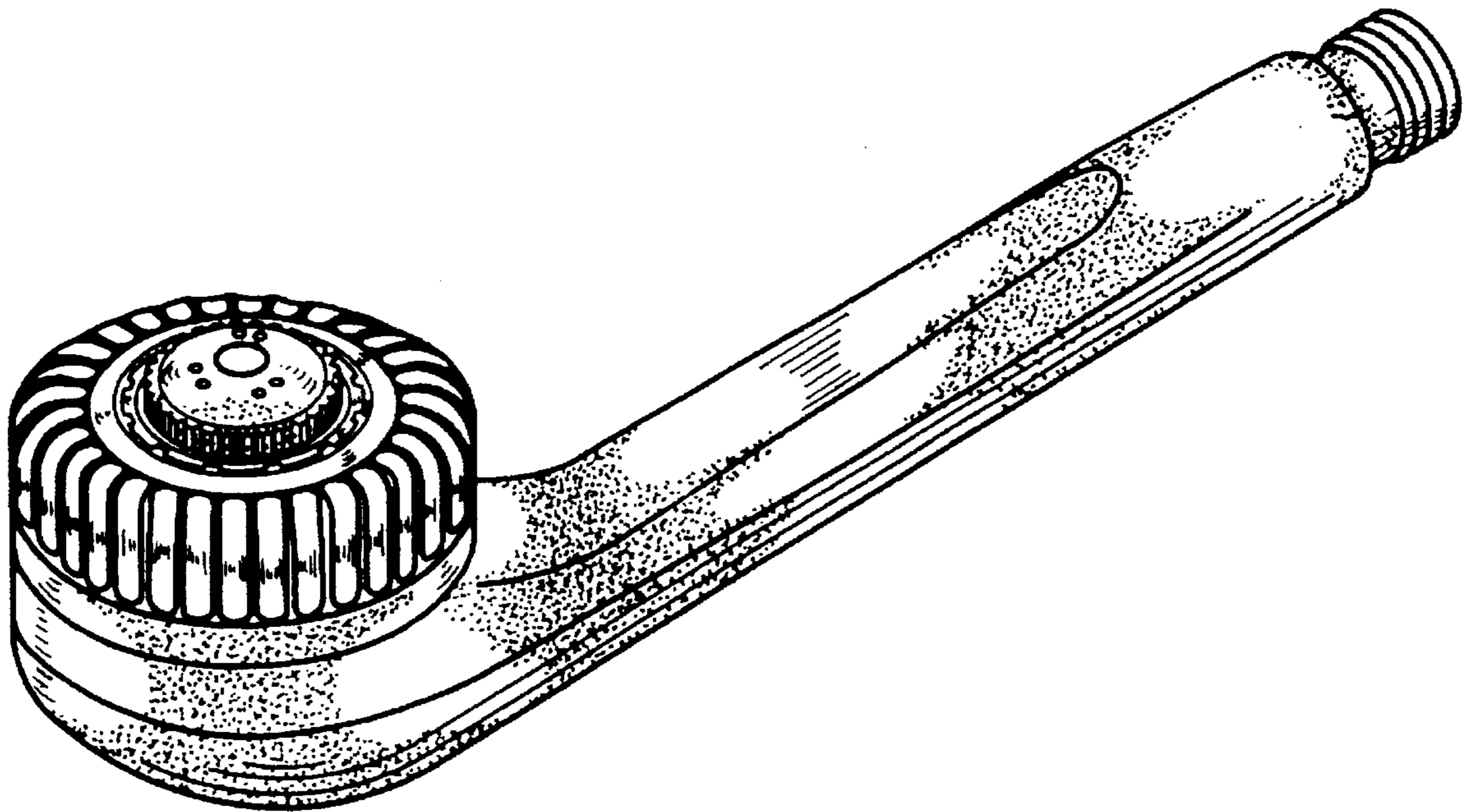
FIG. 1 is a front elevational view of a shower nozzle showing my new design;
FIG. 2 is a left side elevational view thereof;
FIG. 3 is a right side elevational view thereof;
FIG. 4 is a top plan view thereof;
FIG. 5 is a bottom plan view thereof;
FIG. 6 is a rear elevational view thereof; and,
FIG. 7 is a perspective view thereof.

[56] **References Cited**

U.S. PATENT DOCUMENTS

D. 251,678	4/1979	Kwan	D23/223
D. 309,773	8/1990	Huen	D23/223
D. 320,064	9/1991	Presman	D23/223
D. 328,634	8/1992	Ward	D23/223

1 Claim, 4 Drawing Sheets



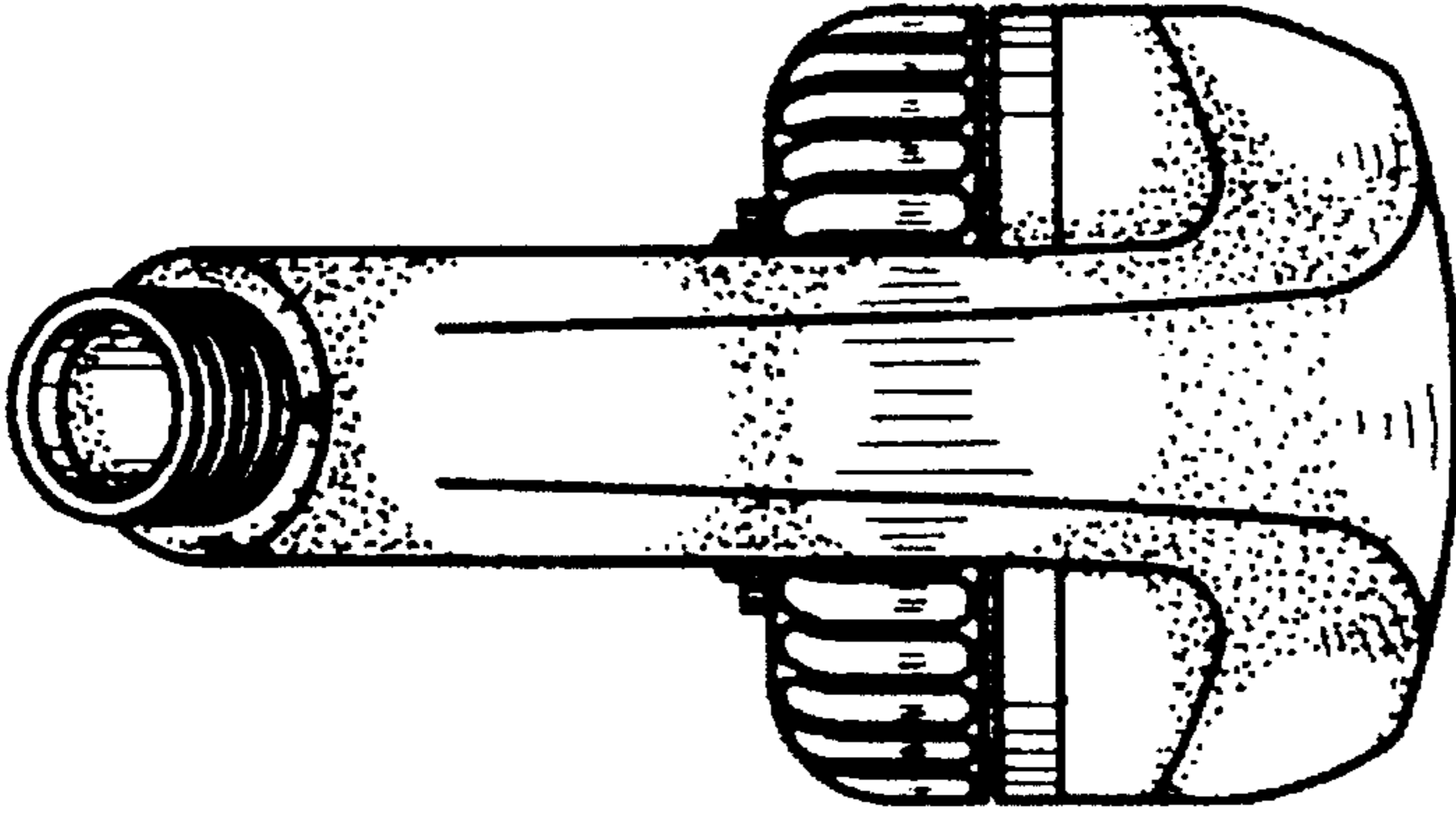


FIG. 6

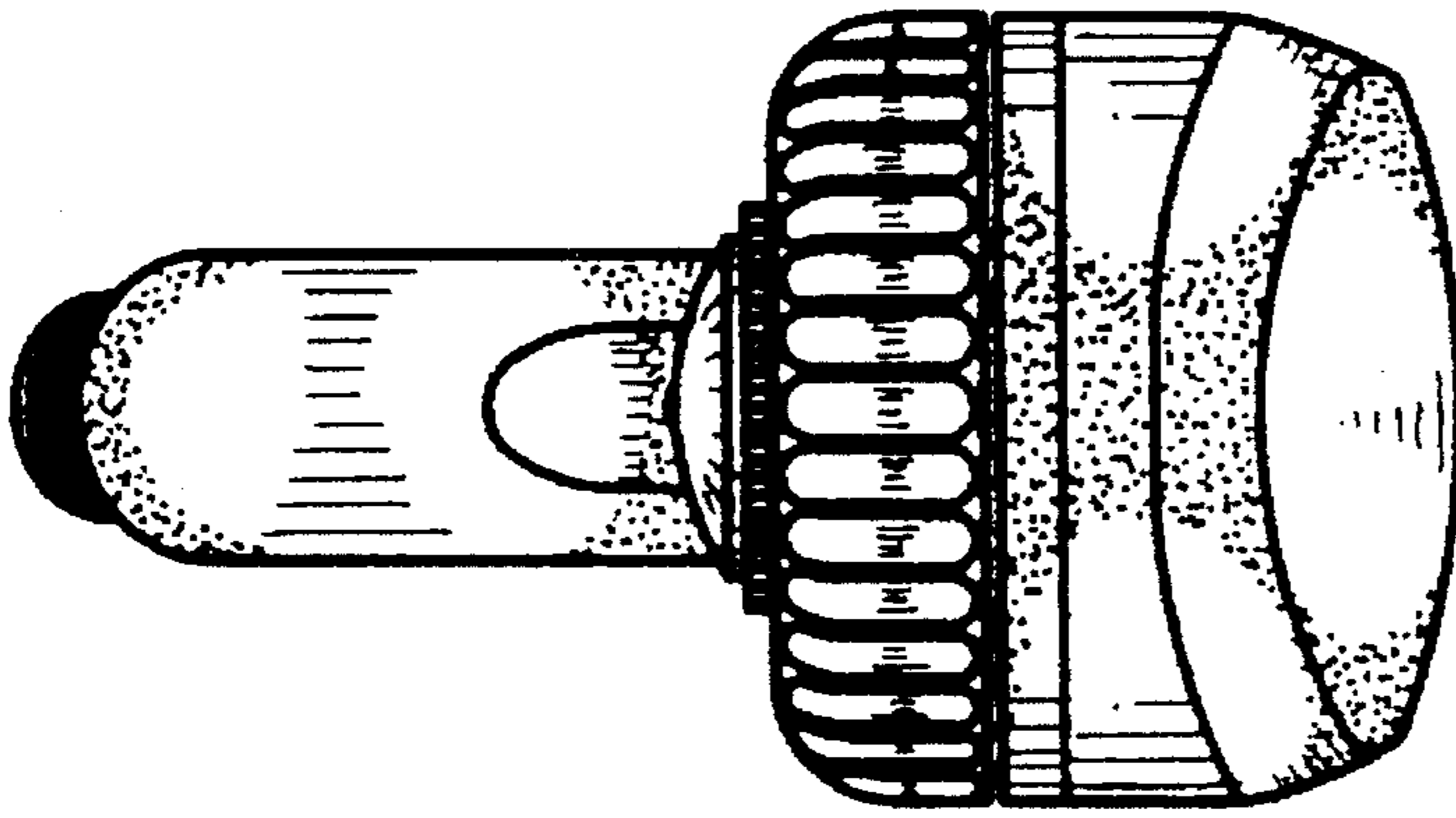


FIG. 1

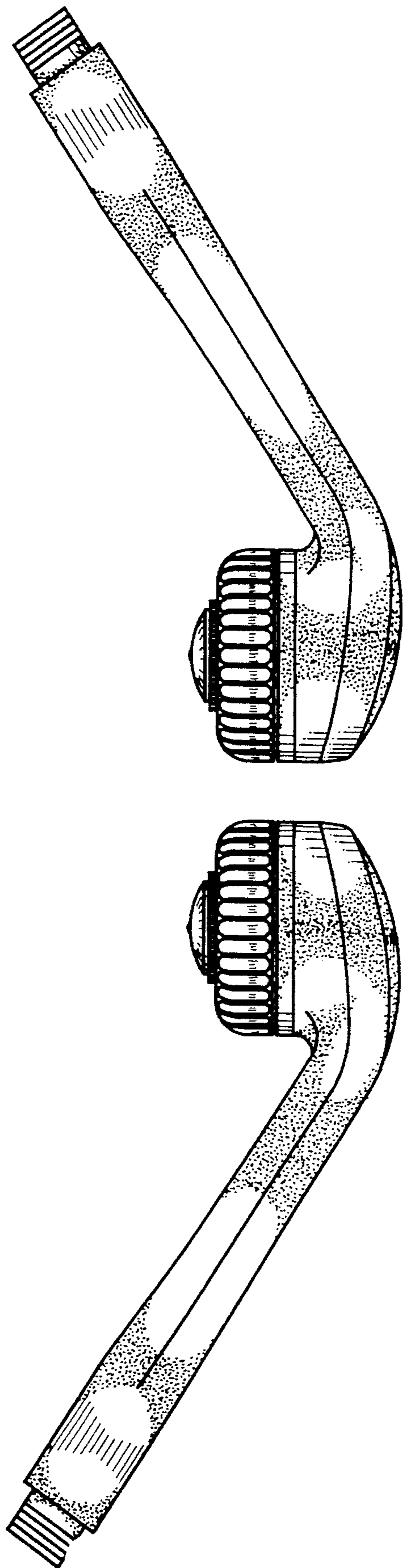


FIG. 3

FIG. 2

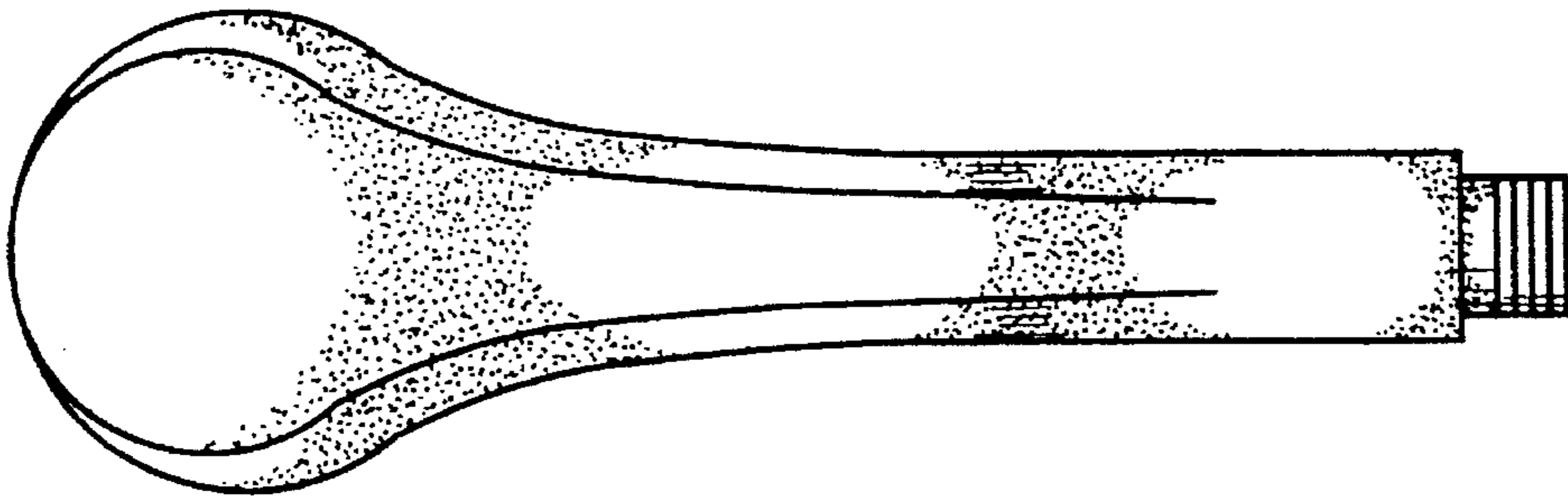


FIG. 5

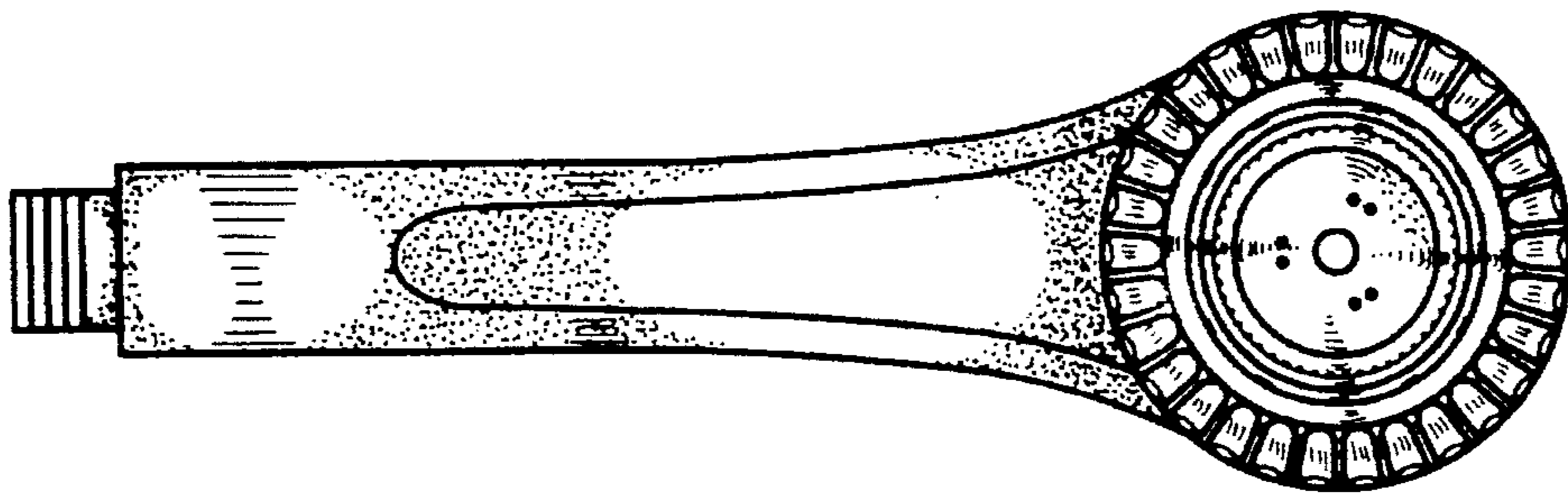


FIG. 4

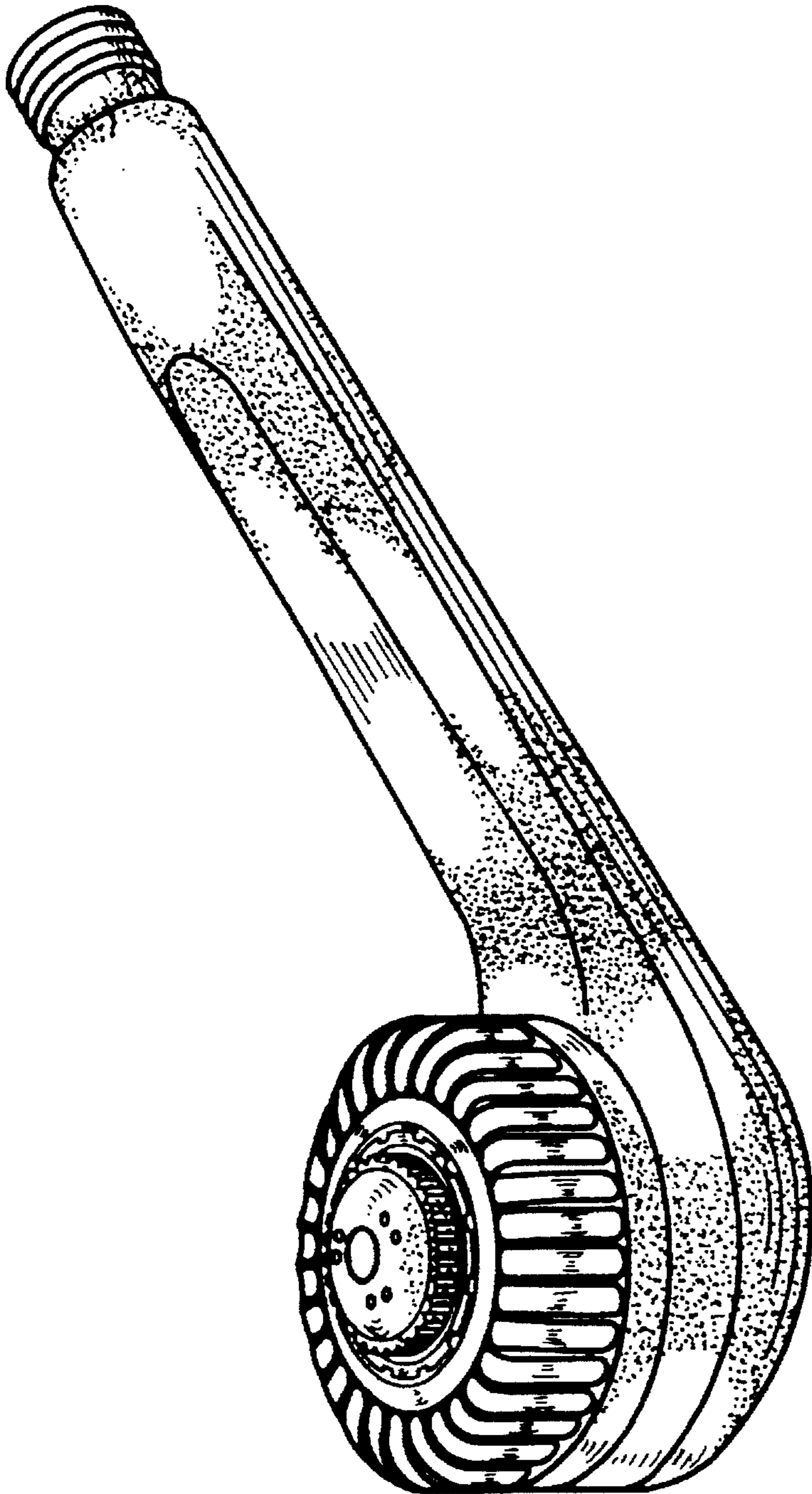


FIG. 7