



US00D376409S

# United States Patent [19]

Zwayer et al.

[11] Patent Number: **Des. 376,409**

[45] Date of Patent: **\*\*\*Dec. 10, 1996**

[54] **SPINCAST FISHING REEL**  
[75] Inventors: **Kent Zwayer**, Tulsa, Okla.; **Richard J. Robbins**, Derby, Kans.

[73] Assignee: **Zebco Division of Brunswick Corporation**, Tulsa, Okla.

[\*] Notice: The portion of the term of this patent subsequent to May 16, 2009, has been disclaimed.

[\*\*] Term: **14 Years**

[21] Appl. No.: **23,006**

[22] Filed: **May 17, 1994**

[52] U.S. Cl. .... **D22/141**

[58] Field of Search ..... D22/141; 242/232, 242/230, 231, 235, 242-246

D. 358,447	5/1995	Robbins	.....	D22/141
2,776,803	1/1957	Shakespeare et al.	.	
2,919,077	12/1959	Underwood	.....	242/235
2,932,465	4/1960	Johnson	.	
2,979,281	4/1961	Shafer	.	
4,353,514	10/1982	Neufeld	.	
4,722,491	2/1988	Myojo	.	

### FOREIGN PATENT DOCUMENTS

52/69786	6/1977	Japan	.
769532	3/1957	United Kingdom	.

*Primary Examiner*—Doris V. Coles  
*Attorney, Agent, or Firm*—Wood, Phillips, VanSanten, Clark & Mortimer

### [57] CLAIM

The ornamental design for a spincast fishing reel, as shown and described.

### DESCRIPTION

FIG. 1 is a front, top and left side perspective view of a spincast fishing reel showing our new design; FIG. 2 is a left side elevation view thereof; FIG. 3 is a right side elevation view thereof; FIG. 4 is a bottom view thereof; FIG. 5 is a top view thereof; FIG. 6 is a front elevation view thereof; and, FIG. 7 is a rear elevation view thereof.

**1 Claim, 3 Drawing Sheets**

### [56] References Cited

#### U.S. PATENT DOCUMENTS

D. 170,389	9/1953	Shakespeare et al.	.....	D22/141
D. 269,798	7/1983	Fee et al.	.	
D. 273,219	3/1984	Iinuma	.	
D. 273,973	5/1984	Mack	.....	D22/141
D. 294,727	3/1988	Sakamoto et al.	.....	D22/141
D. 295,775	5/1988	Kameda	.....	D22/141
D. 315,390	3/1991	Peterson	.....	D22/141
D. 355,698	2/1995	Robbins	.....	D22/141

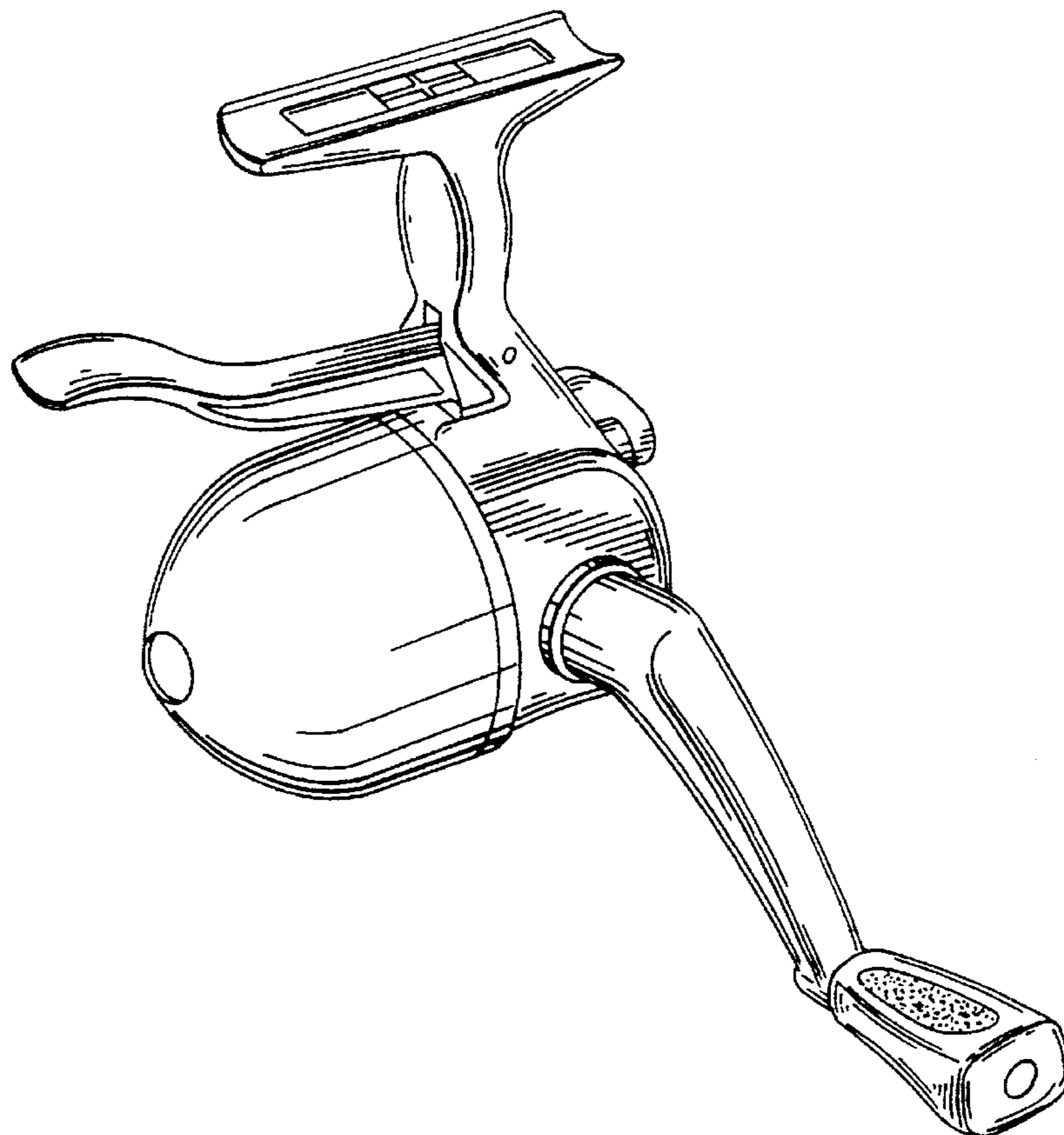


FIG. 1

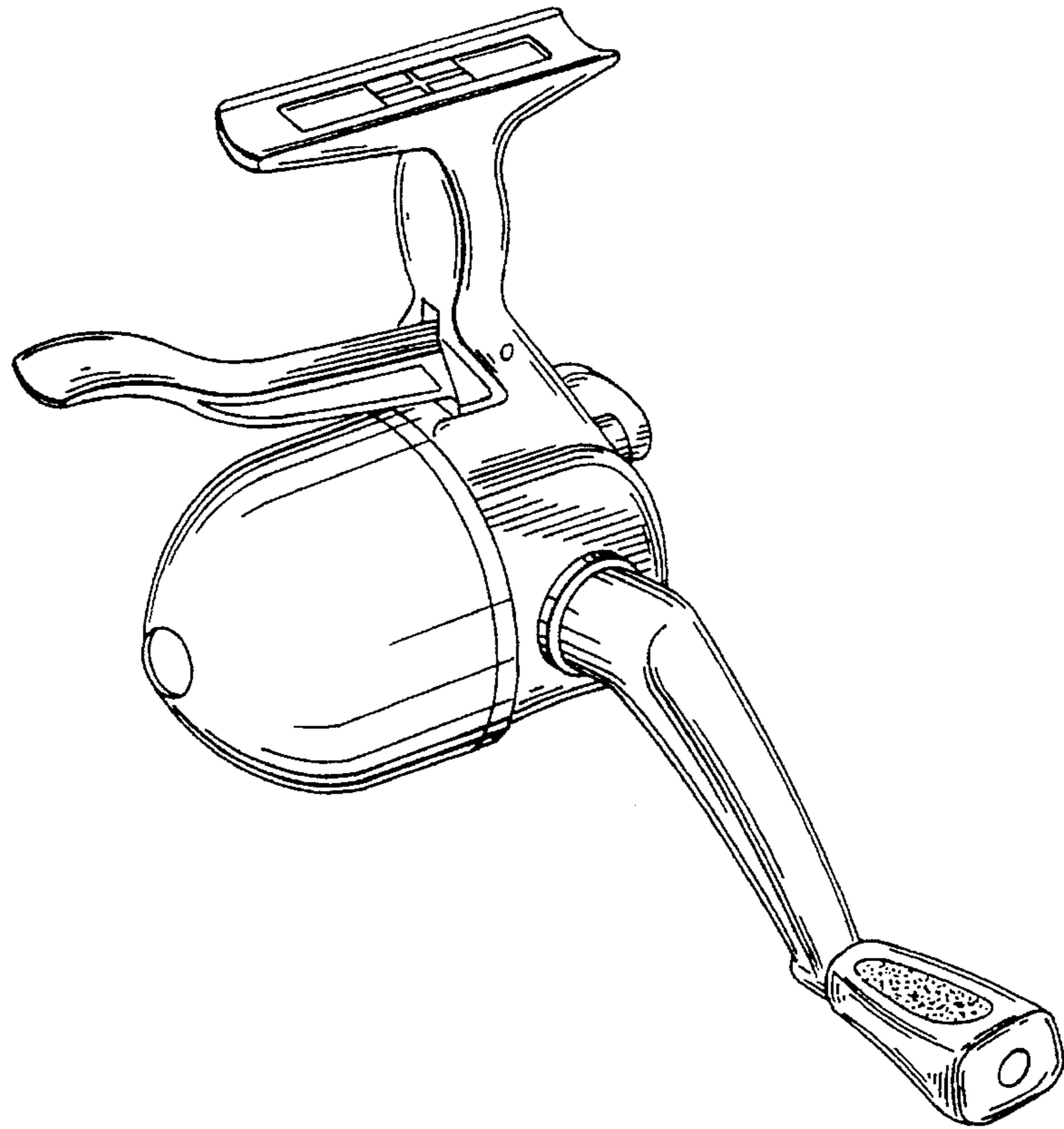
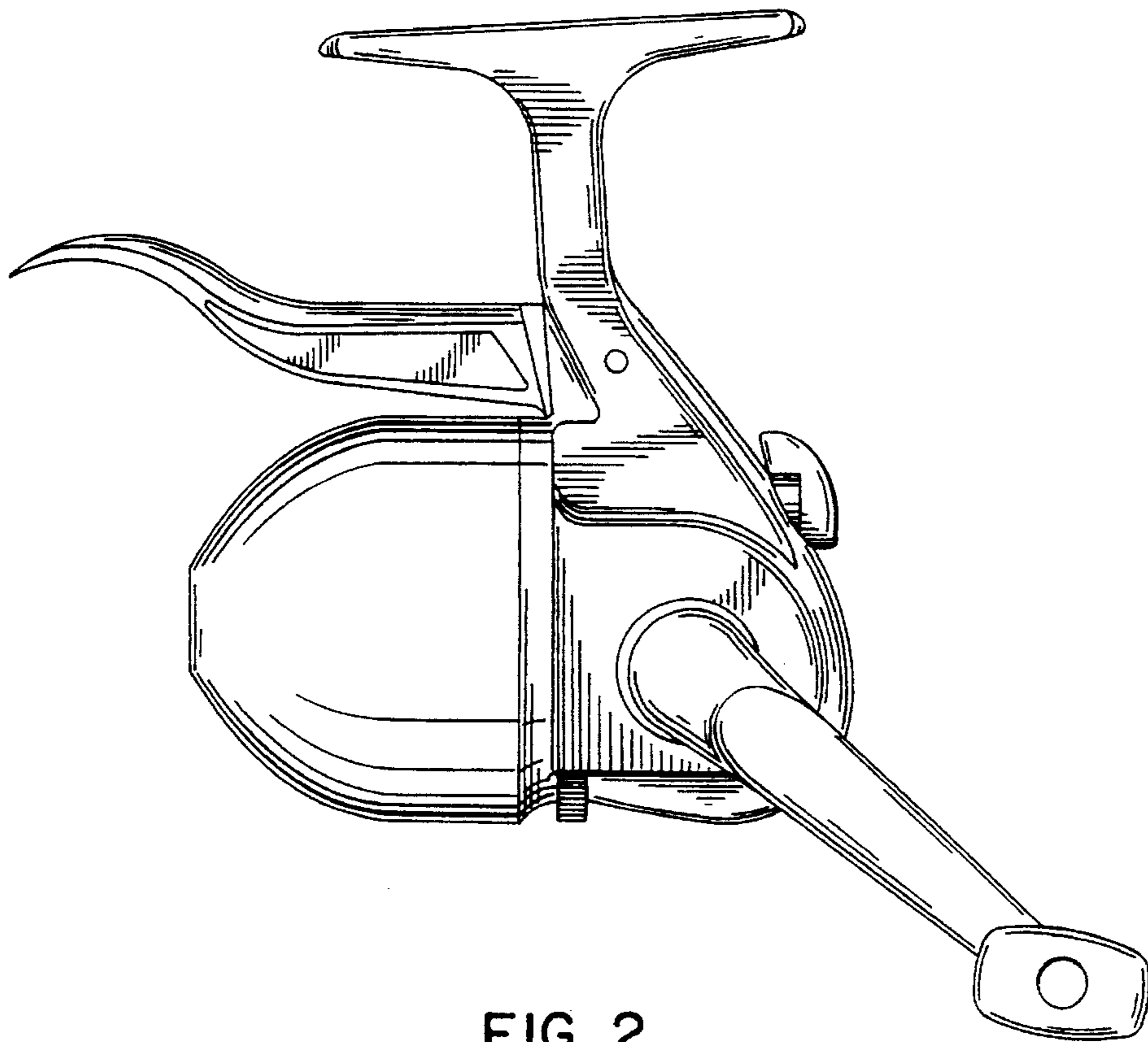


FIG. 2



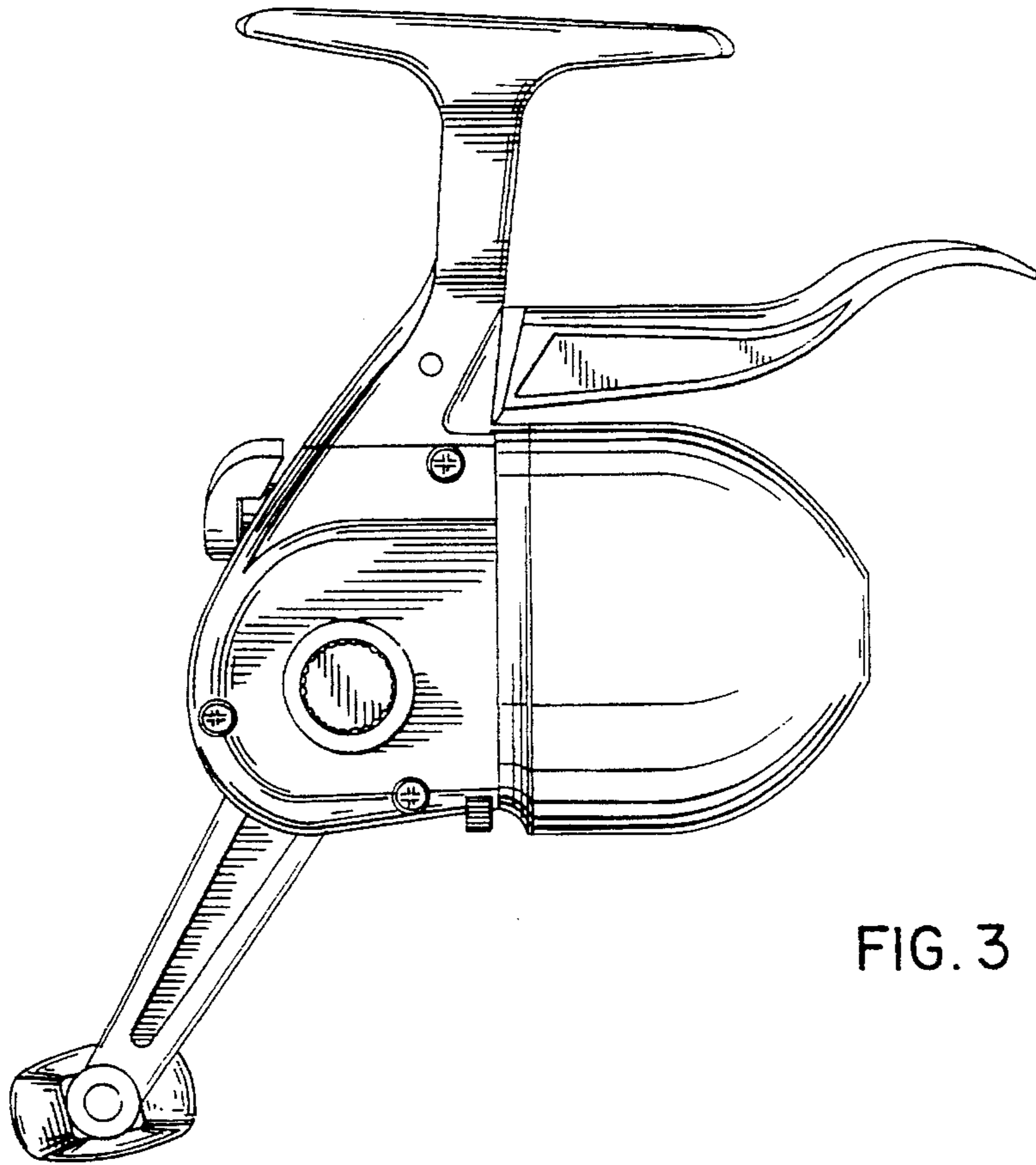


FIG. 3

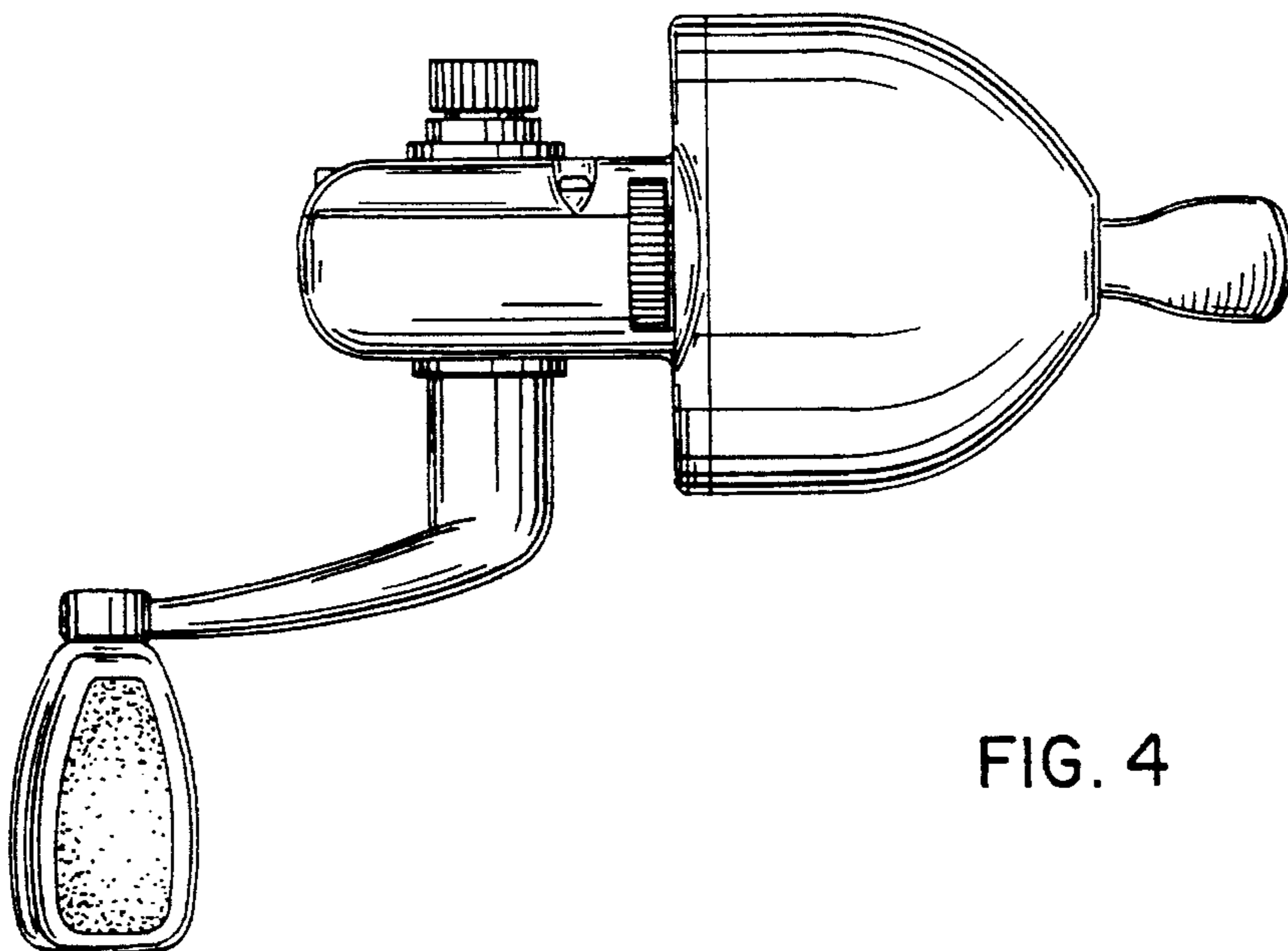


FIG. 4

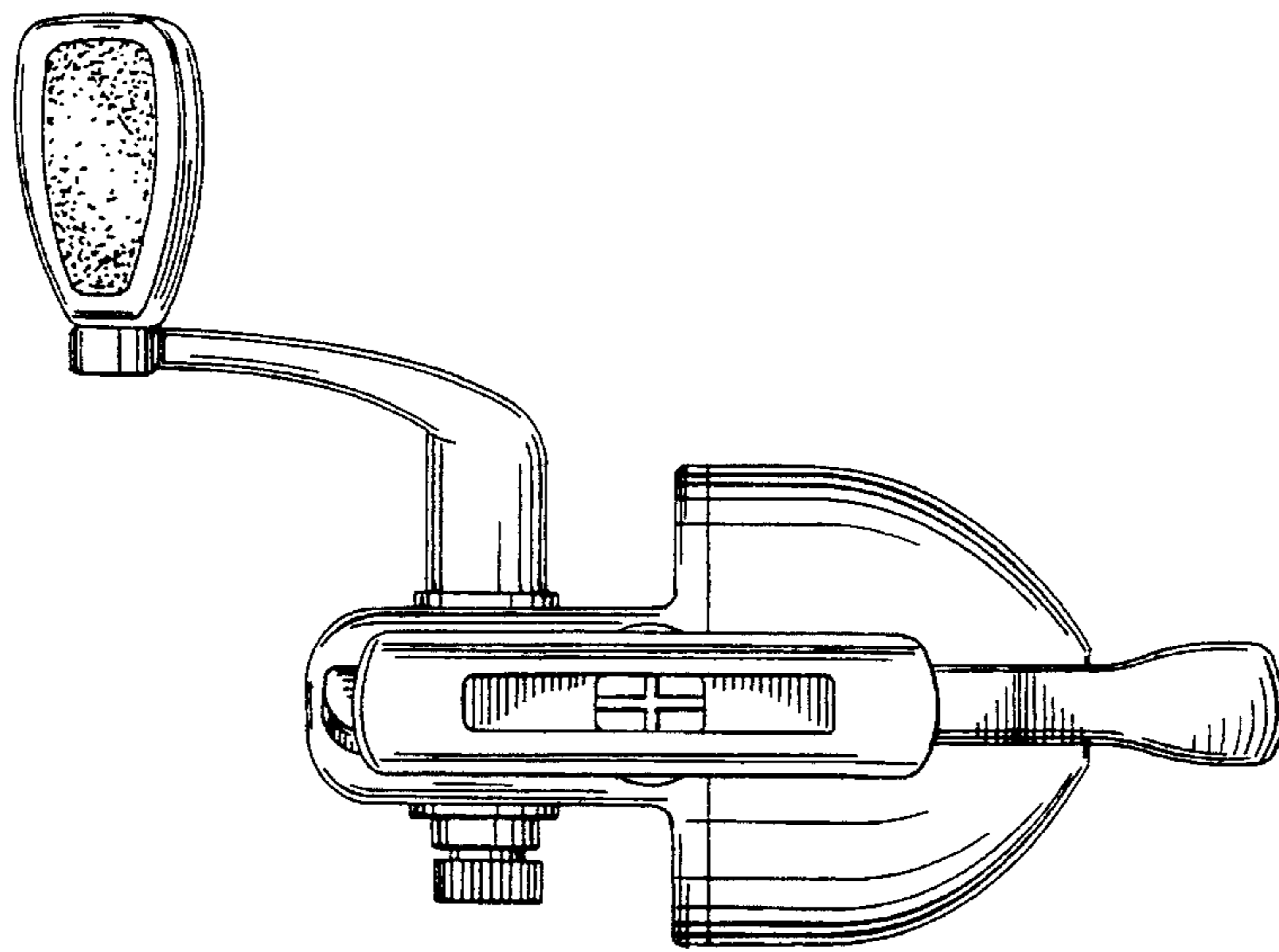


FIG. 5

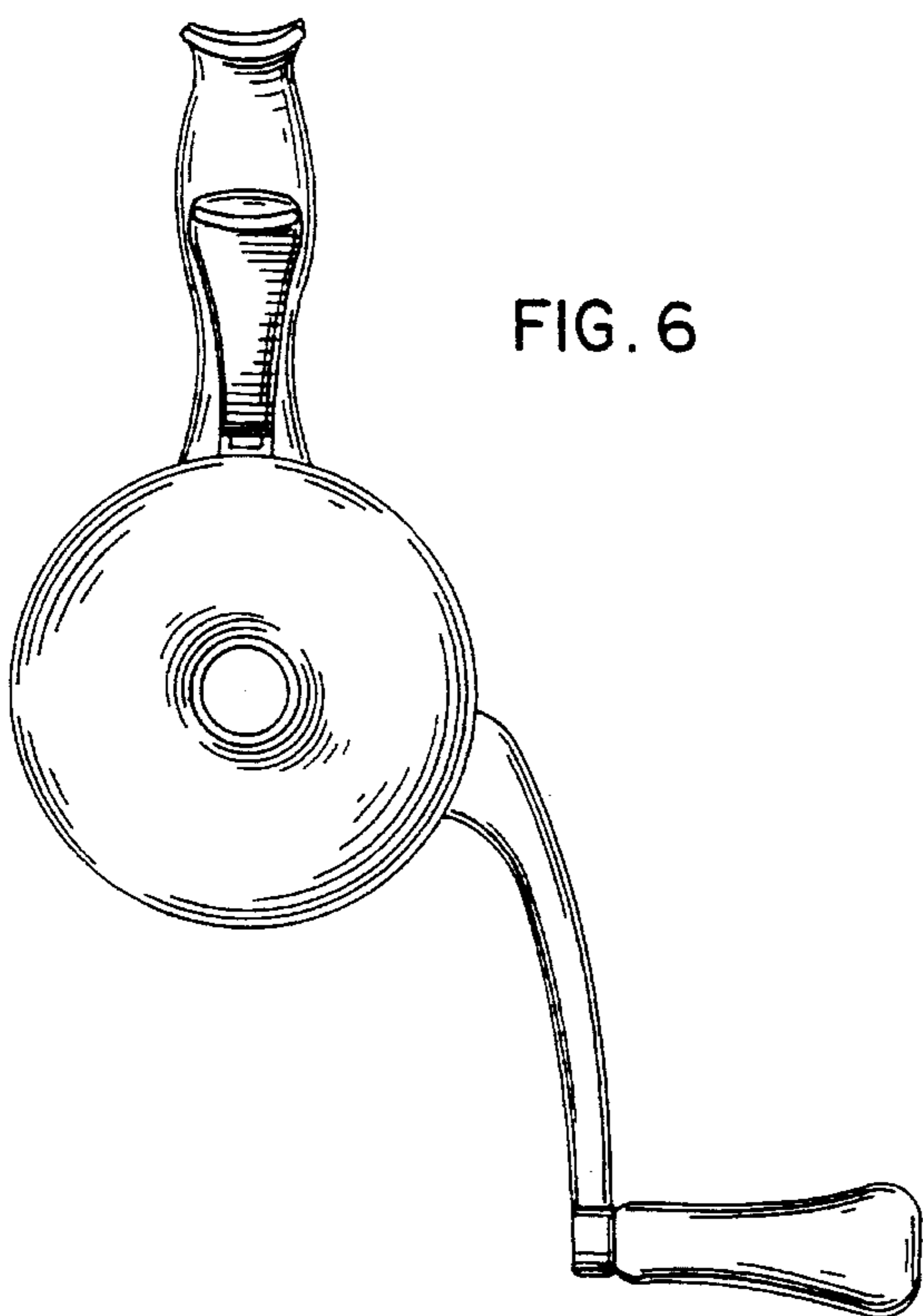


FIG. 6

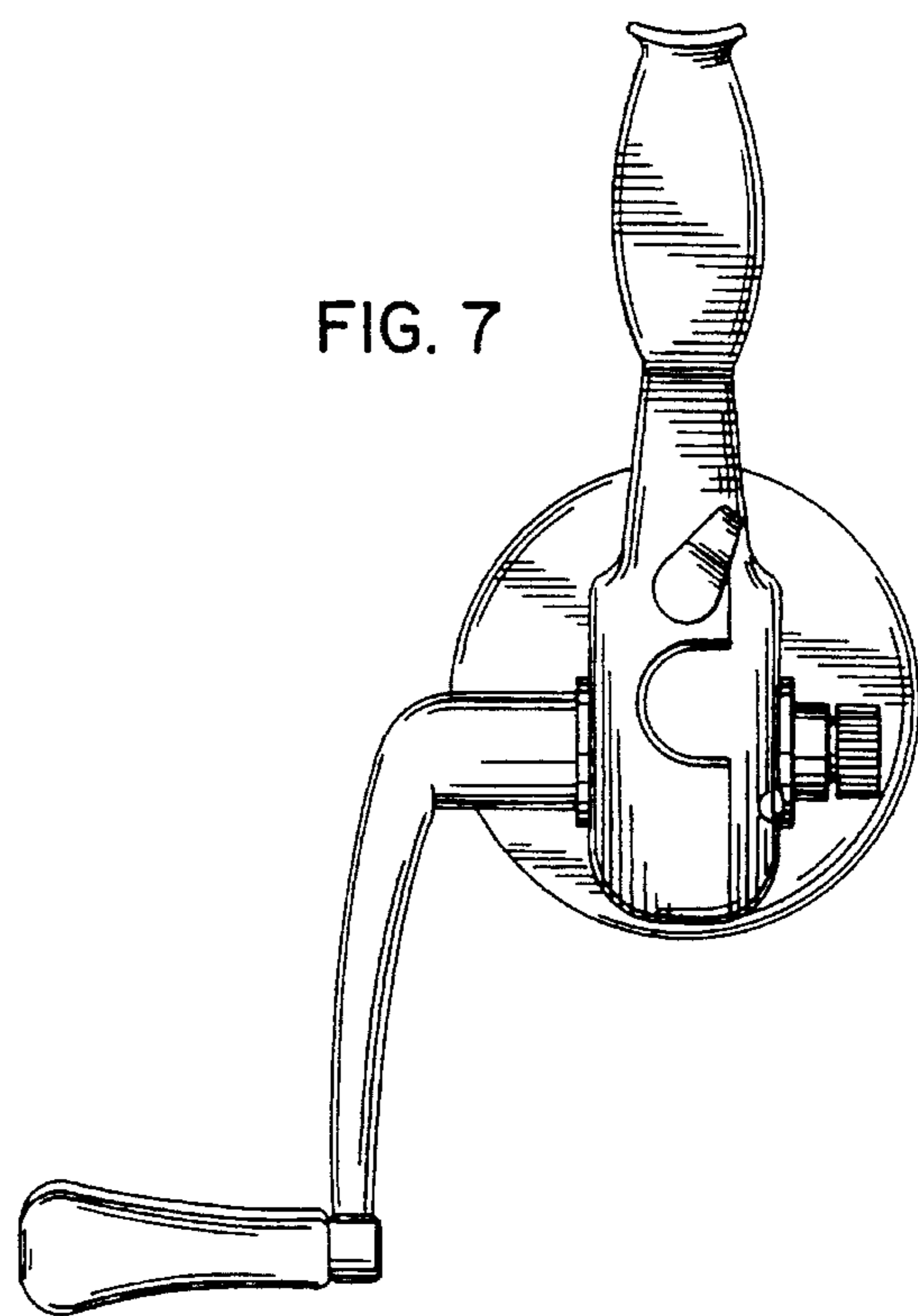


FIG. 7