



US00D376407S

United States Patent [19]

[11] **Patent Number: Des. 376,407**

Friday

[45] **Date of Patent: **Dec. 10, 1996**

[54] **TROLLING FISHING LURE**

5,207,016 5/1993 Pate 43/42.35
5,361,531 11/1994 Rodrigues 43/42.28 X

[76] Inventor: **P. Michael Friday**, P.O. Box 7096,
Naples, Fla. 33941

Primary Examiner—Doris V. Coles
Attorney, Agent, or Firm—Merrill N. Johnson

[**] Term: **14 Years**

[57] **CLAIM**

[21] Appl. No.: **51,828**

The ornamental design for a trolling fishing lure, as shown and described.

[22] Filed: **Mar. 19, 1996**

[52] U.S. Cl. **D22/128**; D22/126; 43/42.28;
43/42.32; 43/42.36

DESCRIPTION

[58] **Field of Search** D22/126, 128,
D22/127, 130, 132; 43/42.28, 42.36, 42.33,
42.35, 42.45, 42.24, 42.25, 42.37, 42.09,
42.06, 42.08

FIG. 1 is a perspective view of a trolling fishing lure, showing my new design;
FIG. 2 is a left side elevational view, the right side being a mirror image thereof;
FIG. 3 is a bottom plan view thereof;
FIG. 4 is a top plan view thereof;
FIG. 5 is a front elevational view thereof; and,
FIG. 6 is a rear elevational view thereof.

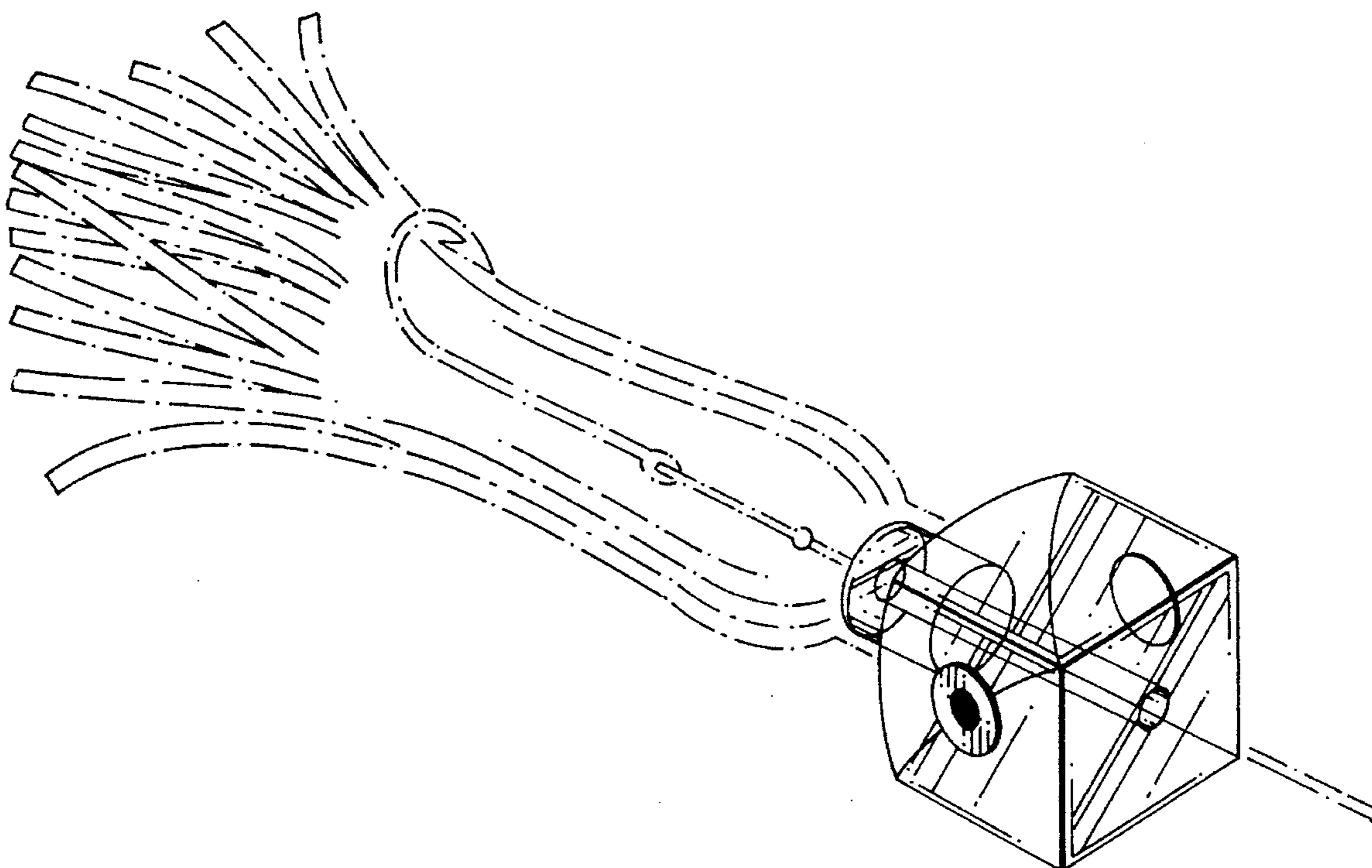
[56] **References Cited**

U.S. PATENT DOCUMENTS

D. 278,926	5/1985	Bagley	D22/128
4,630,389	12/1986	Higgins	43/42.35
5,113,607	5/1992	Pate	43/42.28
5,155,948	10/1992	Kitagawa	43/42.28 X

The broken line showing of environment in FIGS. 1-4 is for illustrative purposes only and forms no part of the claimed design.

1 Claim, 1 Drawing Sheet



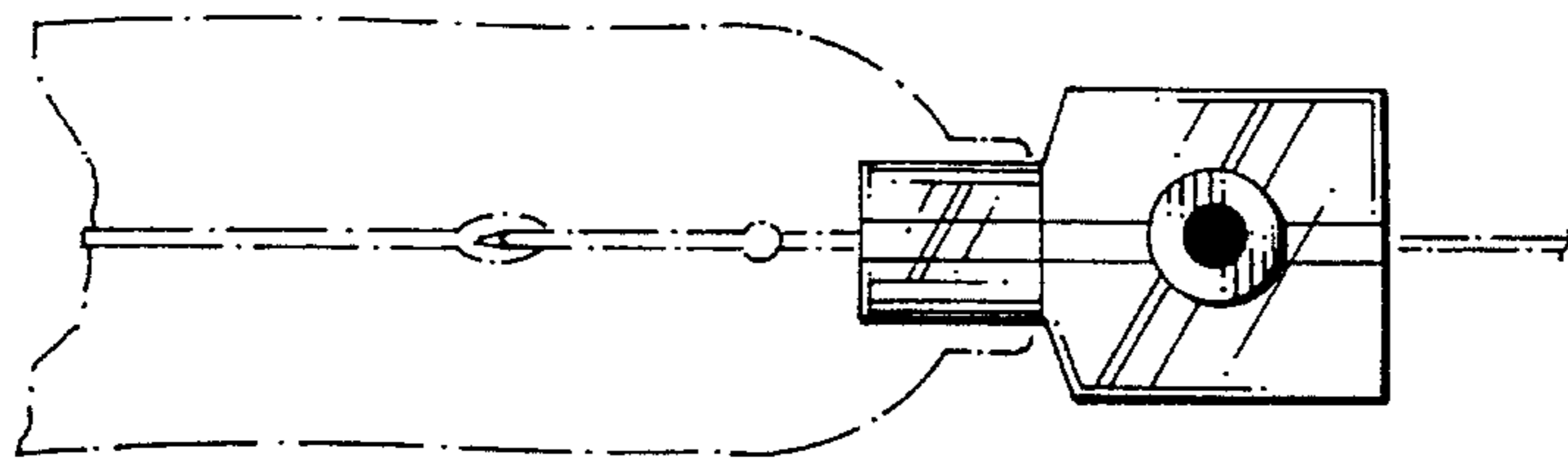
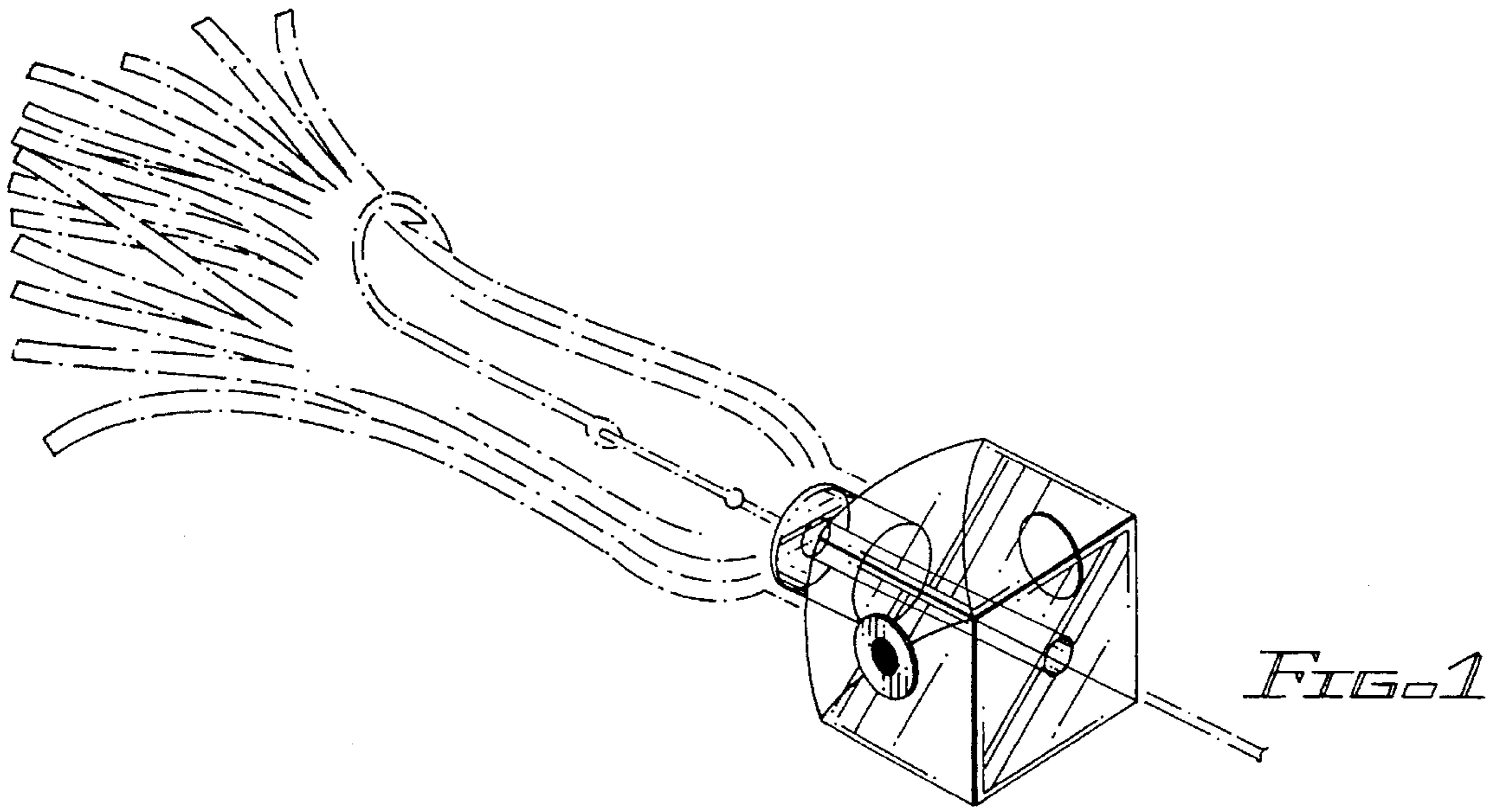


FIG. 2

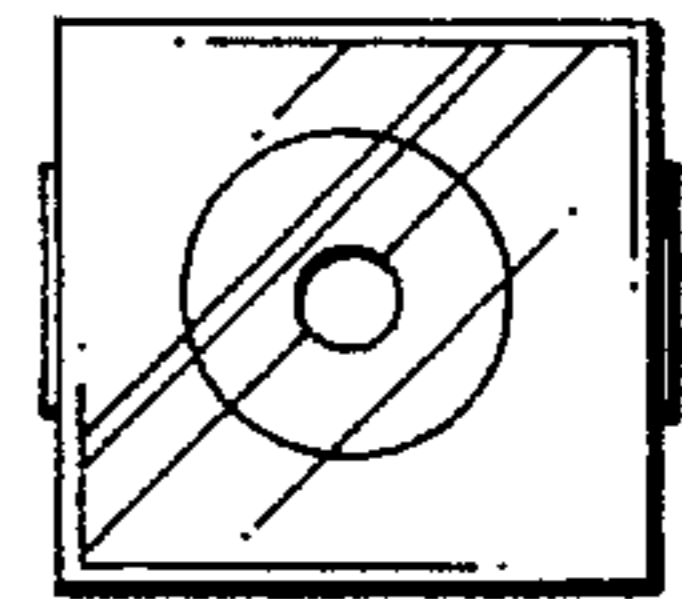


FIG. 5

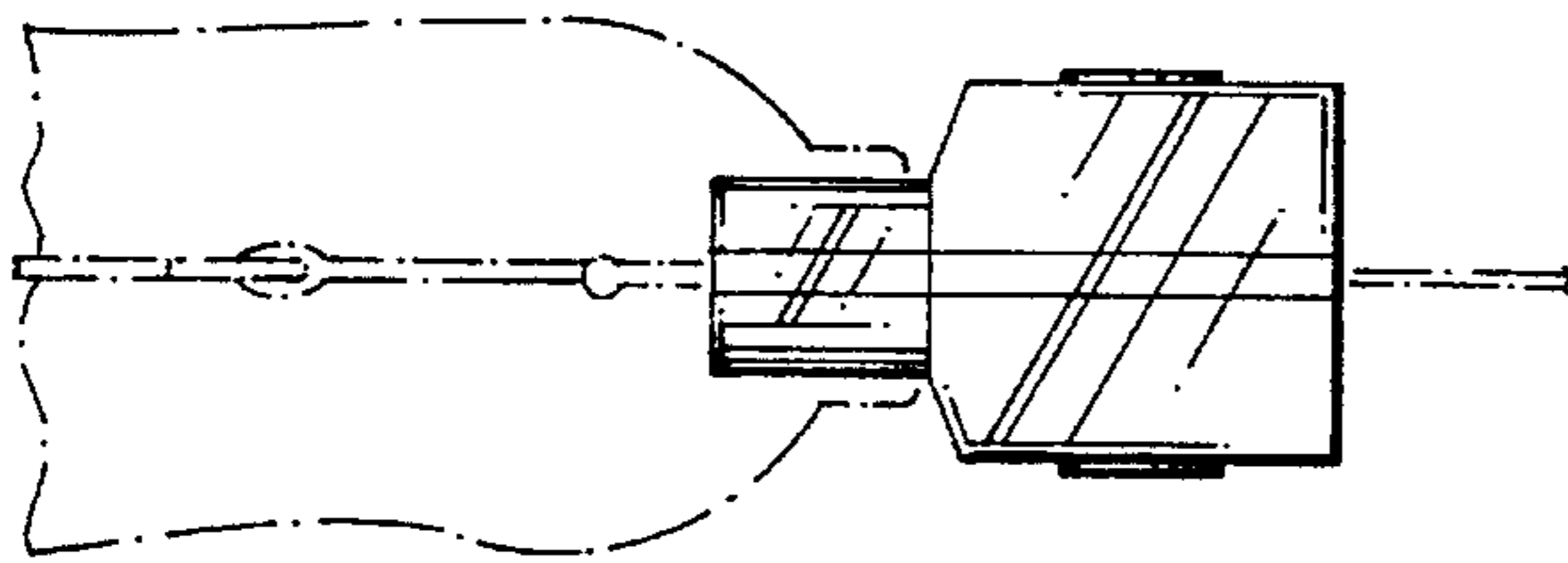


FIG. 3

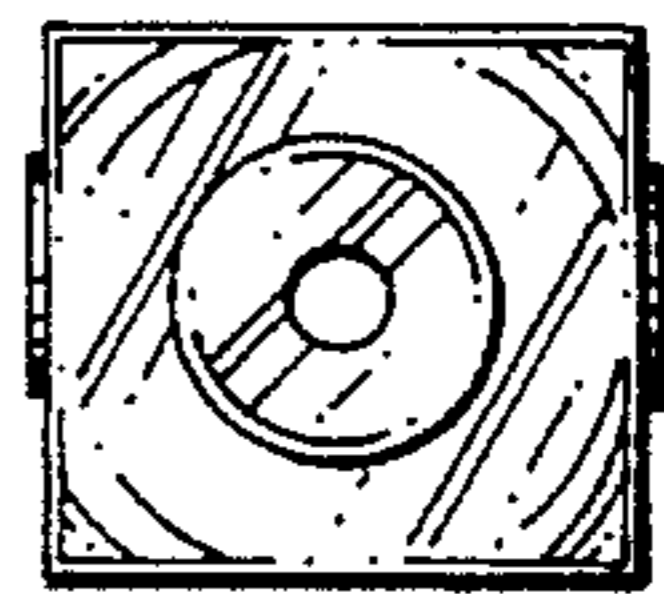


FIG. 6

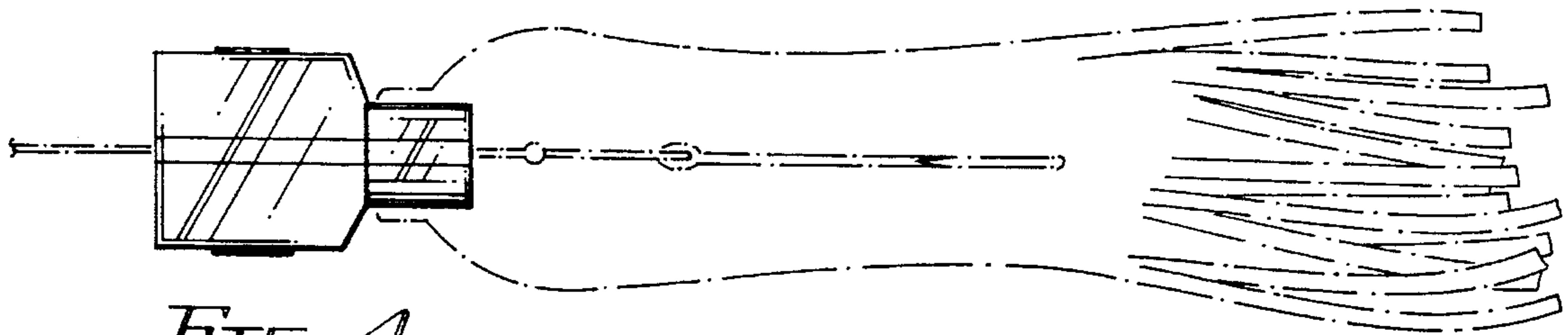


FIG. 4