



US00D376406S

United States Patent [19]

[11] Patent Number: **Des. 376,406**

Rosén et al.

[45] Date of Patent: ****Dec. 10, 1996**

[54] **SHOTGUN SIGHT**

4,790,075 12/1988 Howard, Sr. 33/233
5,054,204 10/1991 Ward et al. 33/233

[75] Inventors: **Hans Rosén**, Västra Frölunda; **Claes Haglund**, Tanumshede, both of Sweden

Primary Examiner—Louis S. Zarfaz
Assistant Examiner—Monica A. Hannon
Attorney, Agent, or Firm—D. Peter Hochberg; Mark Kusner; Michael Jaffe

[73] Assignee: **Hans och Claes Vapensystem HB**, Sweden

[**] Term: **14 Years**

[57] **CLAIM**

[21] Appl. No.: **26,616**

The ornamental design for the shotgun sight, as shown and described.

[22] Filed: **Aug. 1, 1994**

DESCRIPTION

[30] **Foreign Application Priority Data**

FIG. 1 is a perspective view showing the shotgun sight obliquely slightly from above, from the front side and from one side thereof;

Feb. 2, 1994 [SE] Sweden 940250

[52] **U.S. Cl.** **D22/109; D22/108**

FIG. 2 is a perspective view showing the shotgun sight obliquely slightly from above, from the rear side and from the opposite side as compared to FIG. 1;

[58] **Field of Search** D22/108, 109, D22/110; D16/132; 33/233, 243, 244, 265; 42/90, 100, 105; 124/87

FIG. 3 is a planar front view of the shotgun sight;

[56] **References Cited**

FIG. 4 is a planar rear view of the shotgun sight;

U.S. PATENT DOCUMENTS

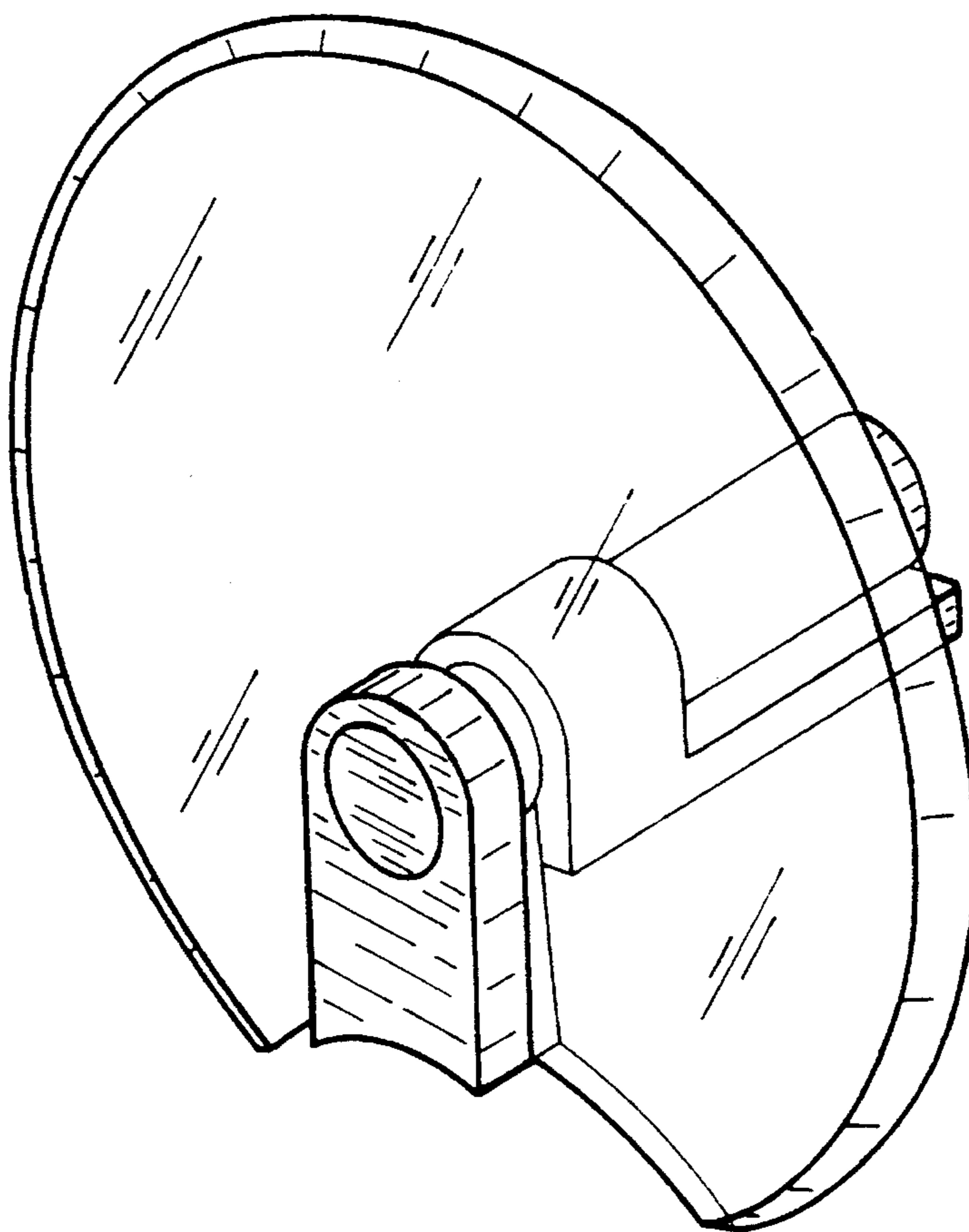
FIG. 5 shows in a planar view our shotgun sight from above;

D. 151,408 10/1948 Richards 33/233 X
1,835,938 12/1931 Ewen 33/243
2,498,329 2/1950 Barnes .
2,563,193 8/1951 Seymore .
3,178,824 4/1965 Callihoe .
4,475,686 10/1984 Willis .
4,624,641 11/1986 Gallagher 33/233 X

FIG. 6 is a planar side view of the shotgun sight, as seen from its left hand side, the right hand side being a reverse image thereof; and,

FIG. 7 is a planar showing the shotgun sight as seen from below.

1 Claim, 4 Drawing Sheets



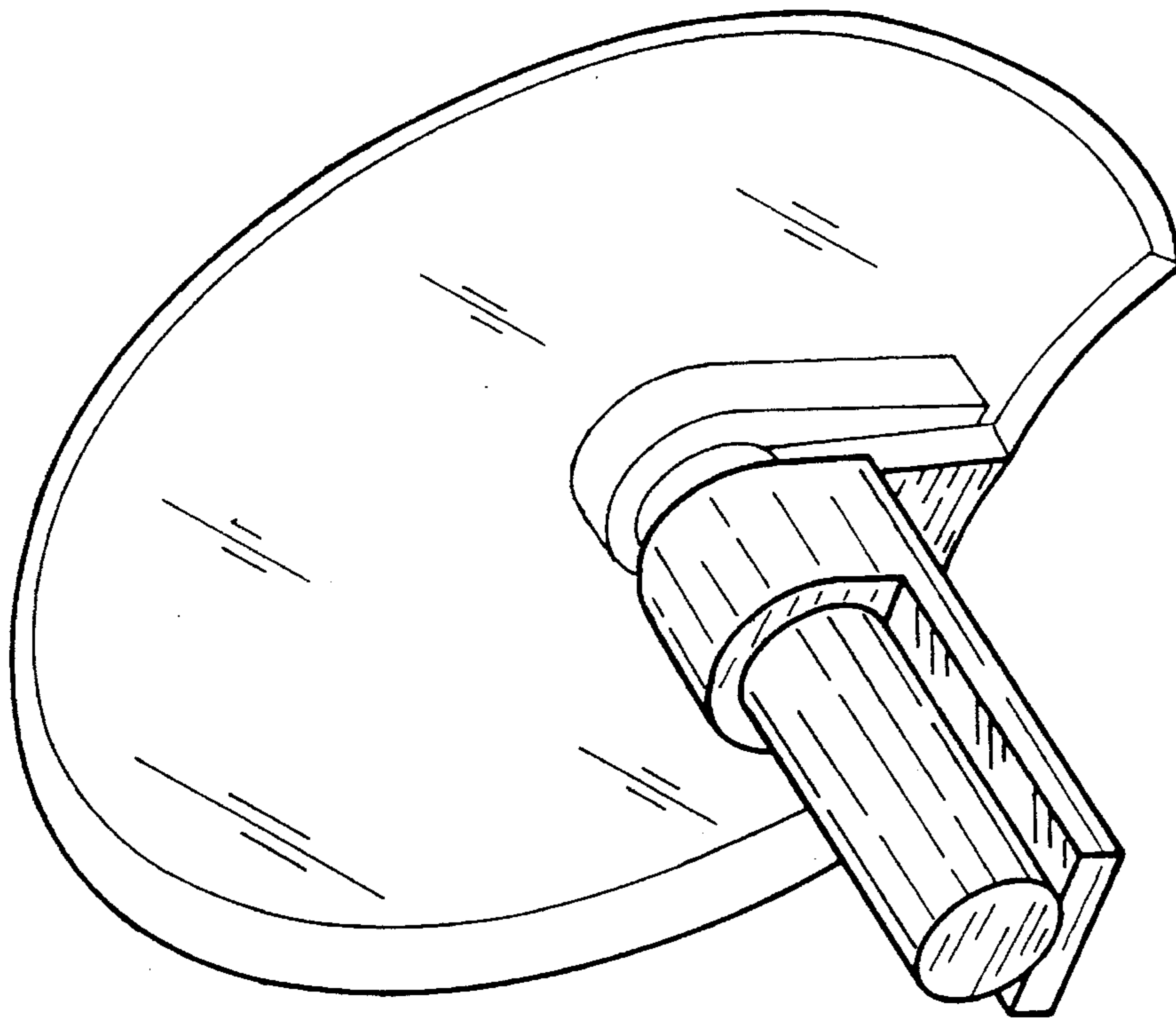


FIG. 2

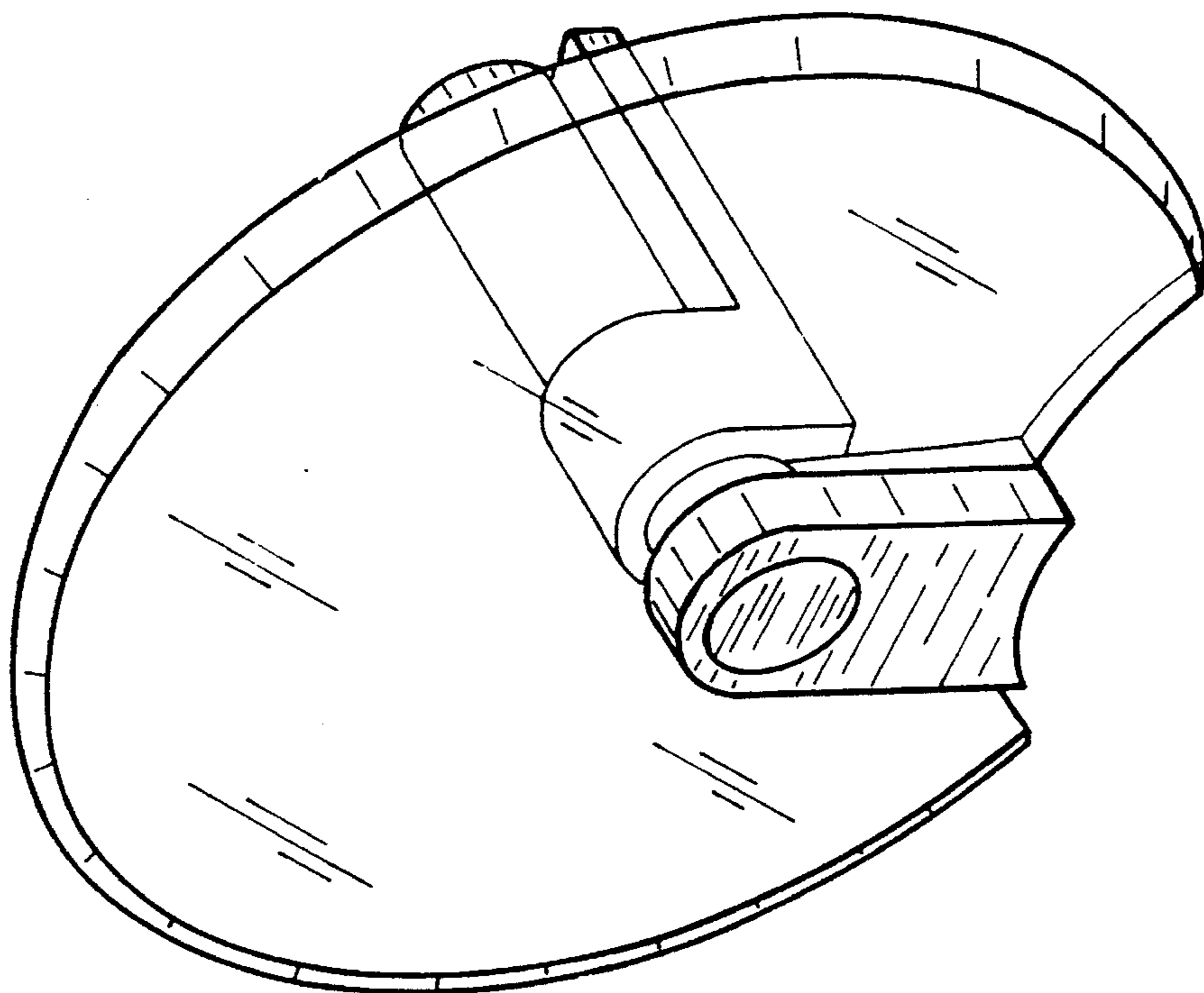


FIG. 1

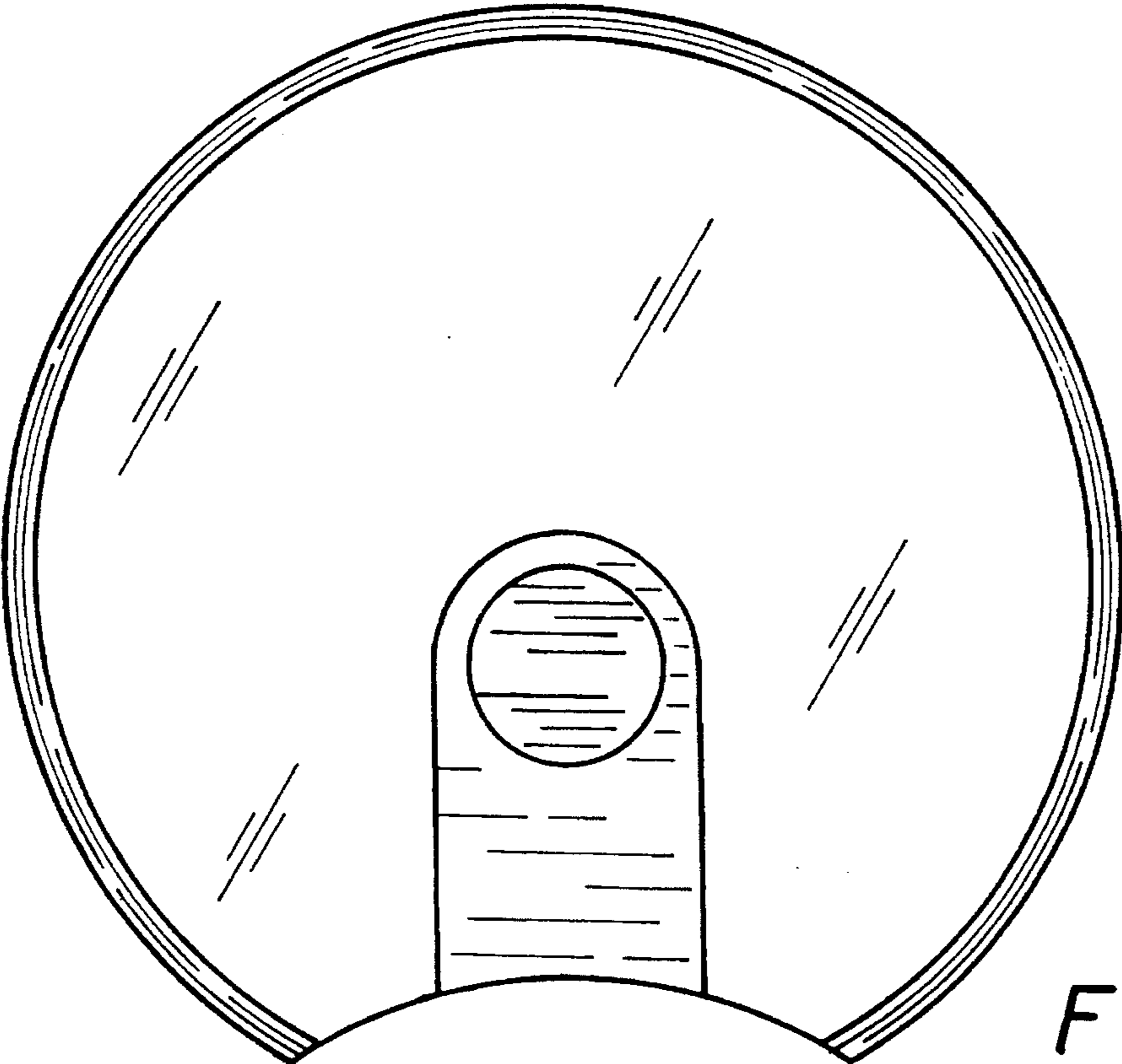


FIG. 3

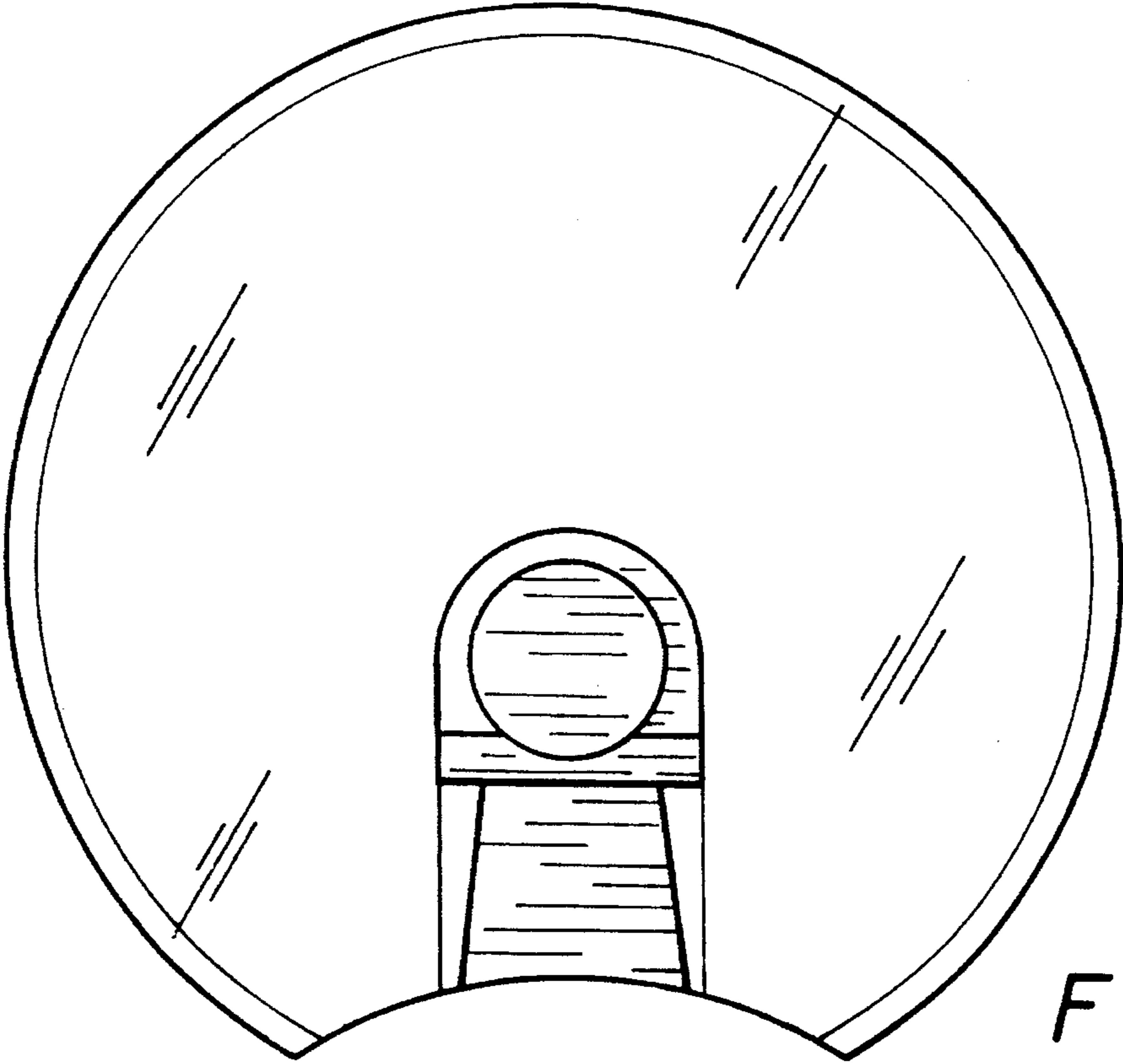


FIG. 4

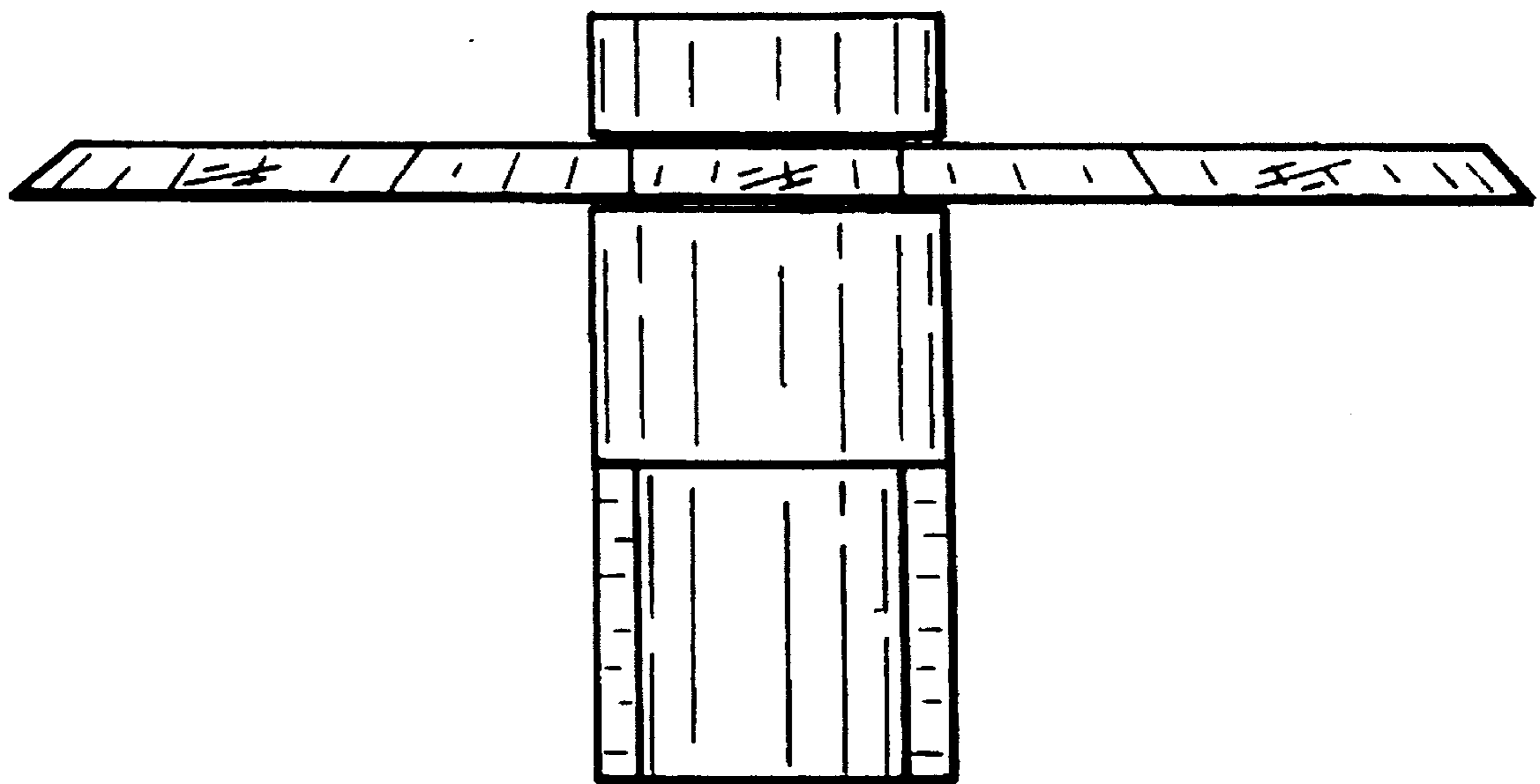


FIG. 5

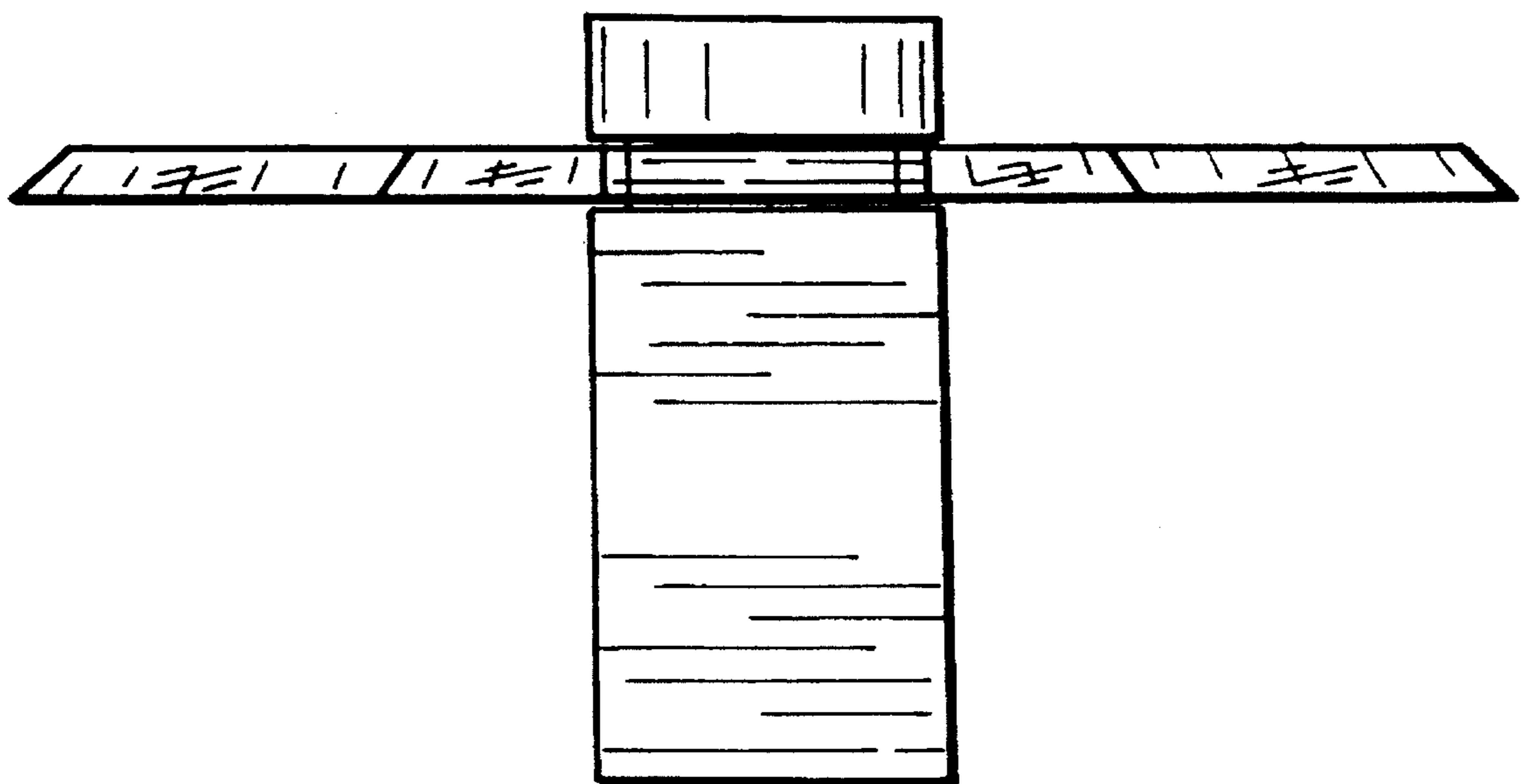


FIG. 7

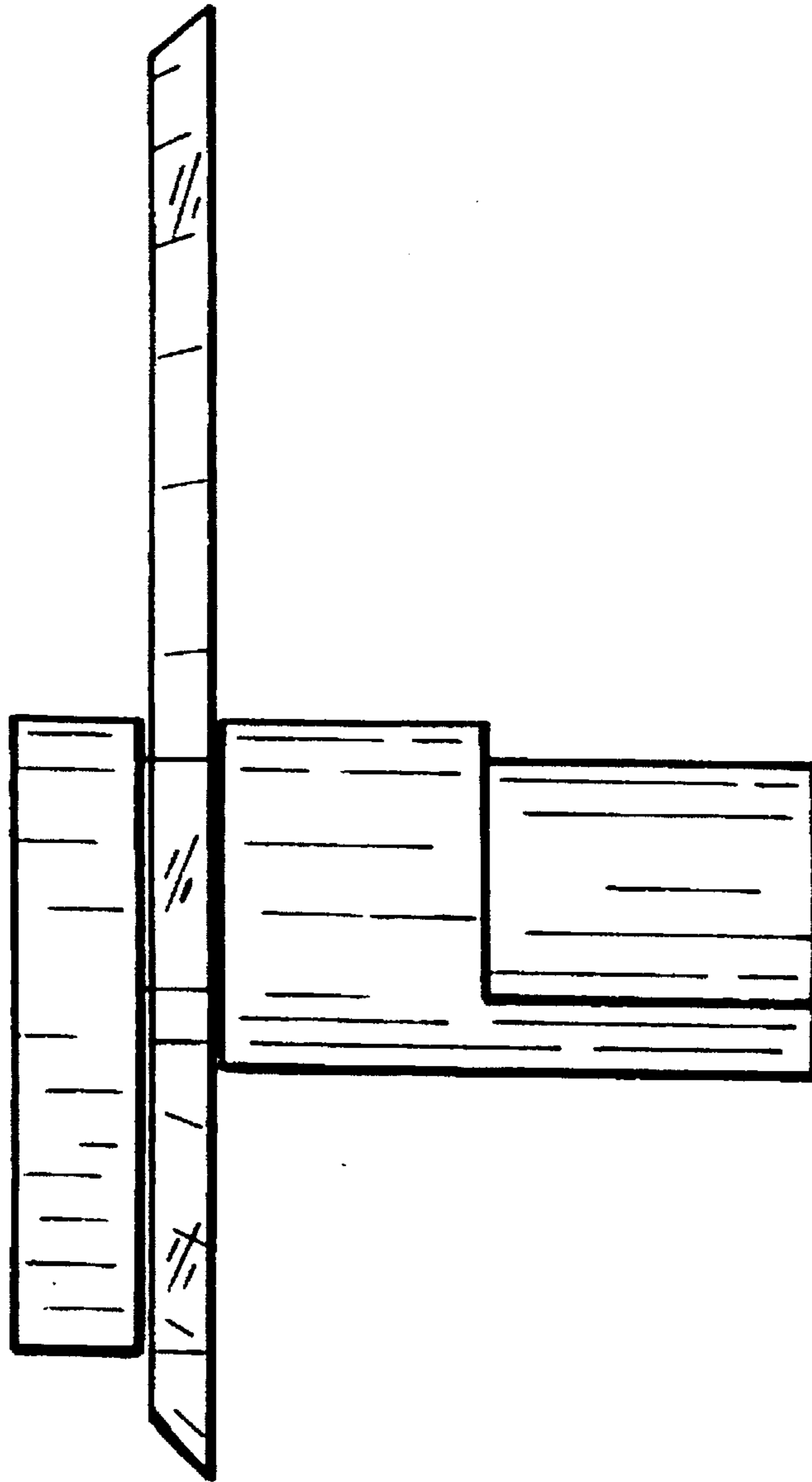


FIG. 6