



US00D376405S

United States Patent [19]

[11] Patent Number: **Des. 376,405**

Strawcutter et al.

[45] Date of Patent: ****Dec. 10, 1996**

[54] **BUTTRESS TREE SUPPORT FOR CHILDREN'S PLAYGROUND EQUIPMENT**

D. 355,013	1/1995	Schechner	D21/246
D. 363,524	10/1995	Ziegler, Jr. et al.	D21/246
1,729,529	9/1929	Whitman	D21/246 X
3,570,848	3/1971	Bowen	482/34
5,330,400	7/1994	Huberman	482/35

[75] Inventors: **Grant M. Strawcutter; James O. Dunn, Jr.; Jonathan E. Brooks**, all of Charlotte, N.C.

Primary Examiner—Ted Shooman
Assistant Examiner—Mitchell I. Siegel
Attorney, Agent, or Firm—Ralph H. Dougherty, P.A.

[73] Assignee: **Soft Play, Inc.**, Charlotte, N.C.

[**] Term: **14 Years**

[57] CLAIM

[21] Appl. No.: **42,777**

The ornamental design for a buttress tree support for children's playground equipment, as shown and described.

[22] Filed: **Aug. 17, 1995**

DESCRIPTION

[52] U.S. Cl. **D21/246**

[58] **Field of Search** D21/240-246;
482/34-36; D6/335, 363, 368, 499; 248/165,
431, 520, 529

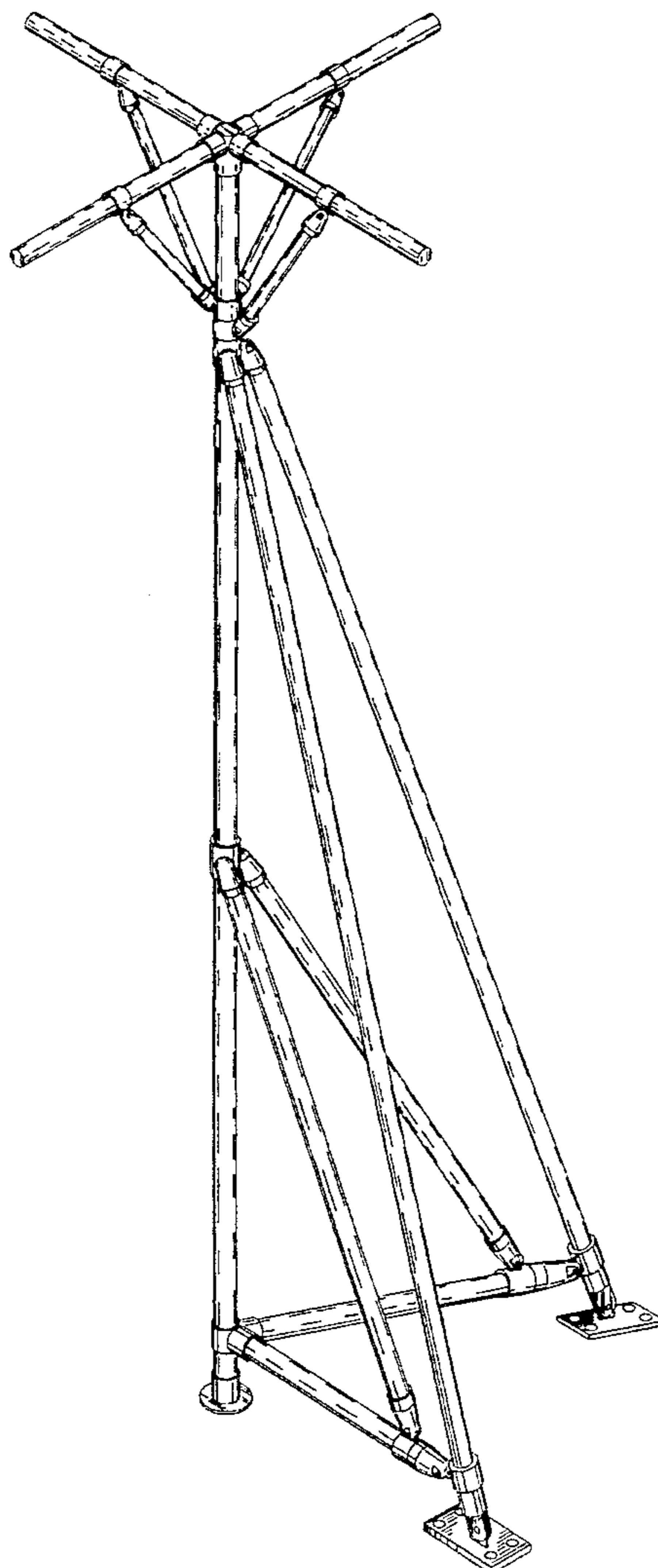
FIG. 1 is a perspective view of a buttress tree support for children's playground equipment, showing the new design; FIG. 2 is a top plan view thereof; FIG. 3 is a rear elevational view thereof; FIG. 4 is a right side elevational view thereof; FIG. 5 is a front elevational view thereof; FIG. 6 is a left side elevational view thereof; and, FIG. 7 is a bottom plan view thereof.

[56] References Cited

U.S. PATENT DOCUMENTS

D. 203,399	1/1966	Kurrasch	D21/246
D. 259,652	6/1981	Ahrens	D21/246
D. 349,545	8/1994	Cohovin et al.	D6/499 X

1 Claim, 4 Drawing Sheets



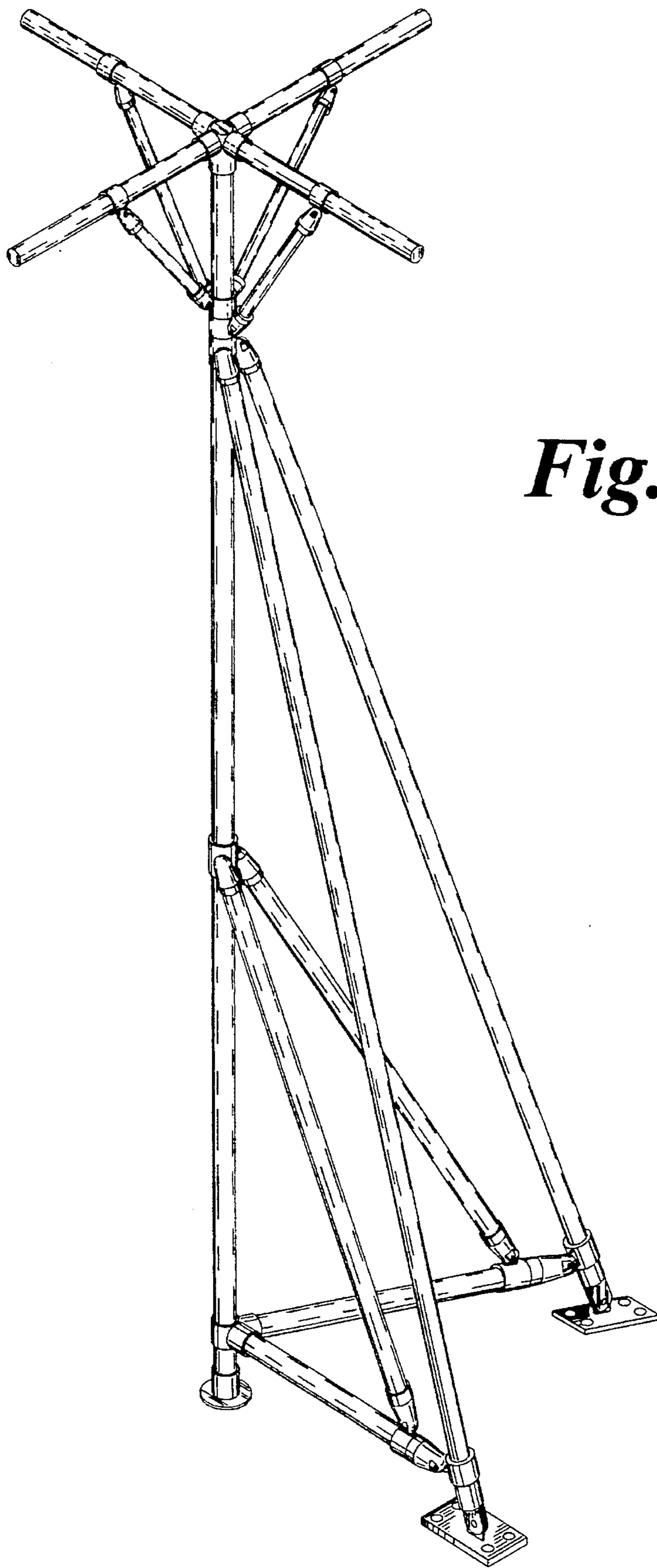


Fig. 1

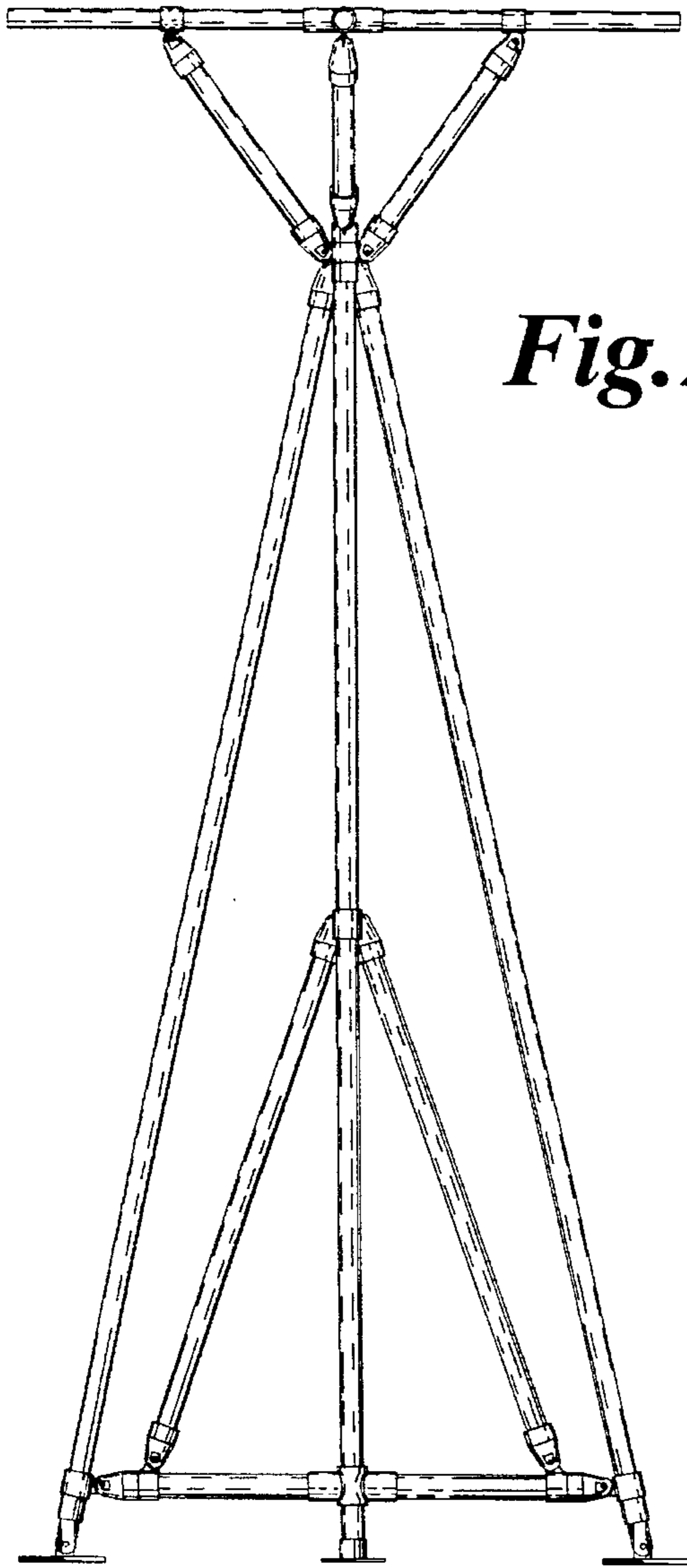


Fig. 2

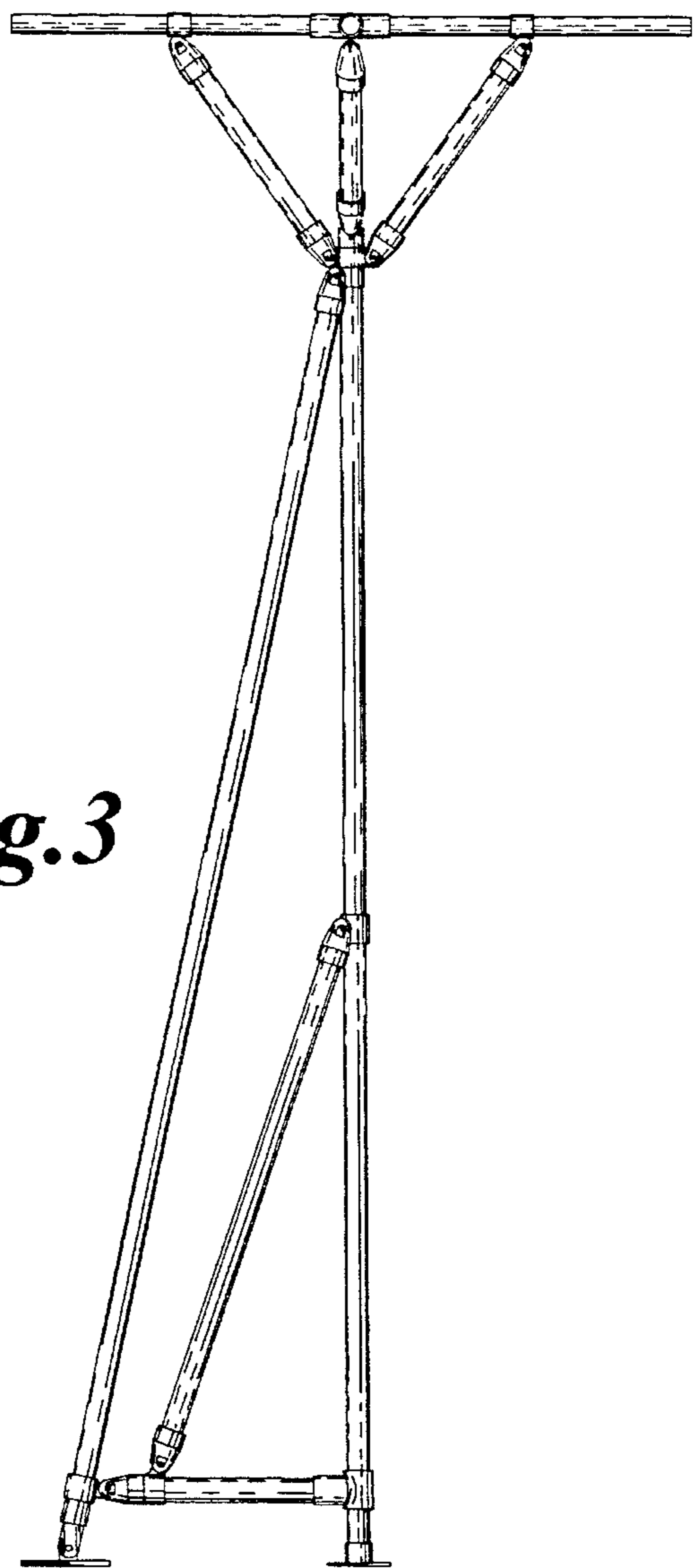


Fig. 3

Fig. 4

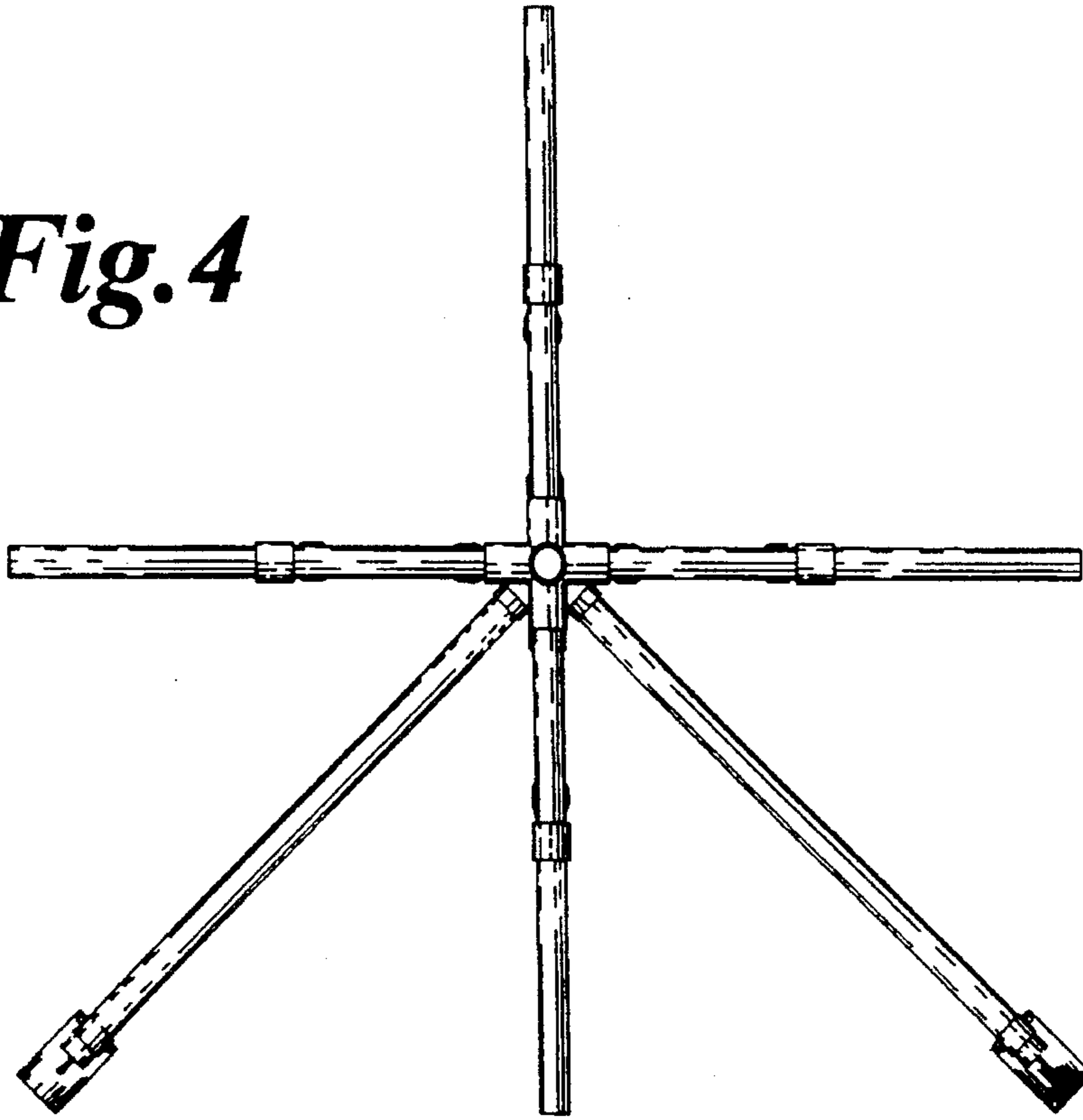
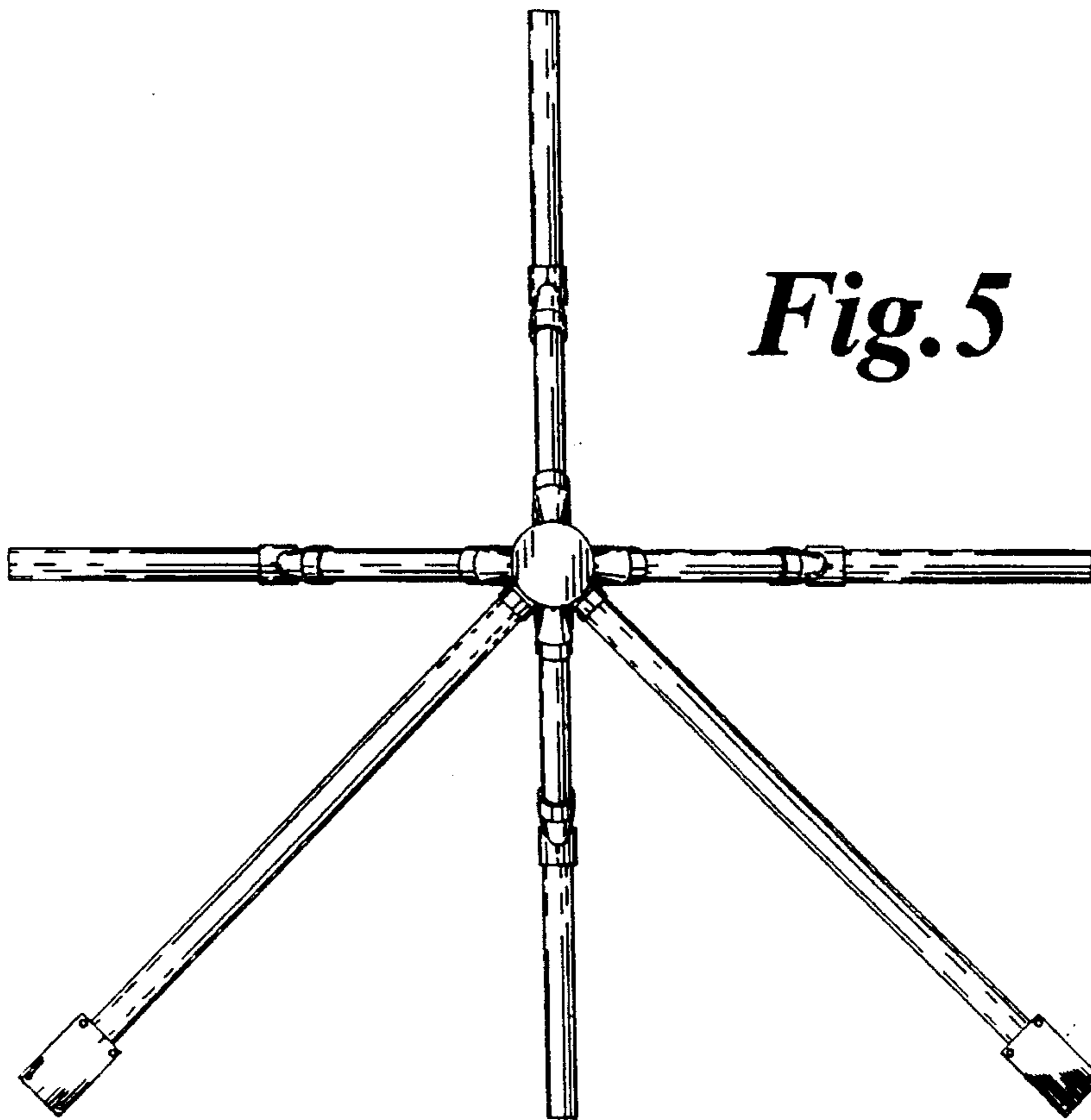


Fig. 5



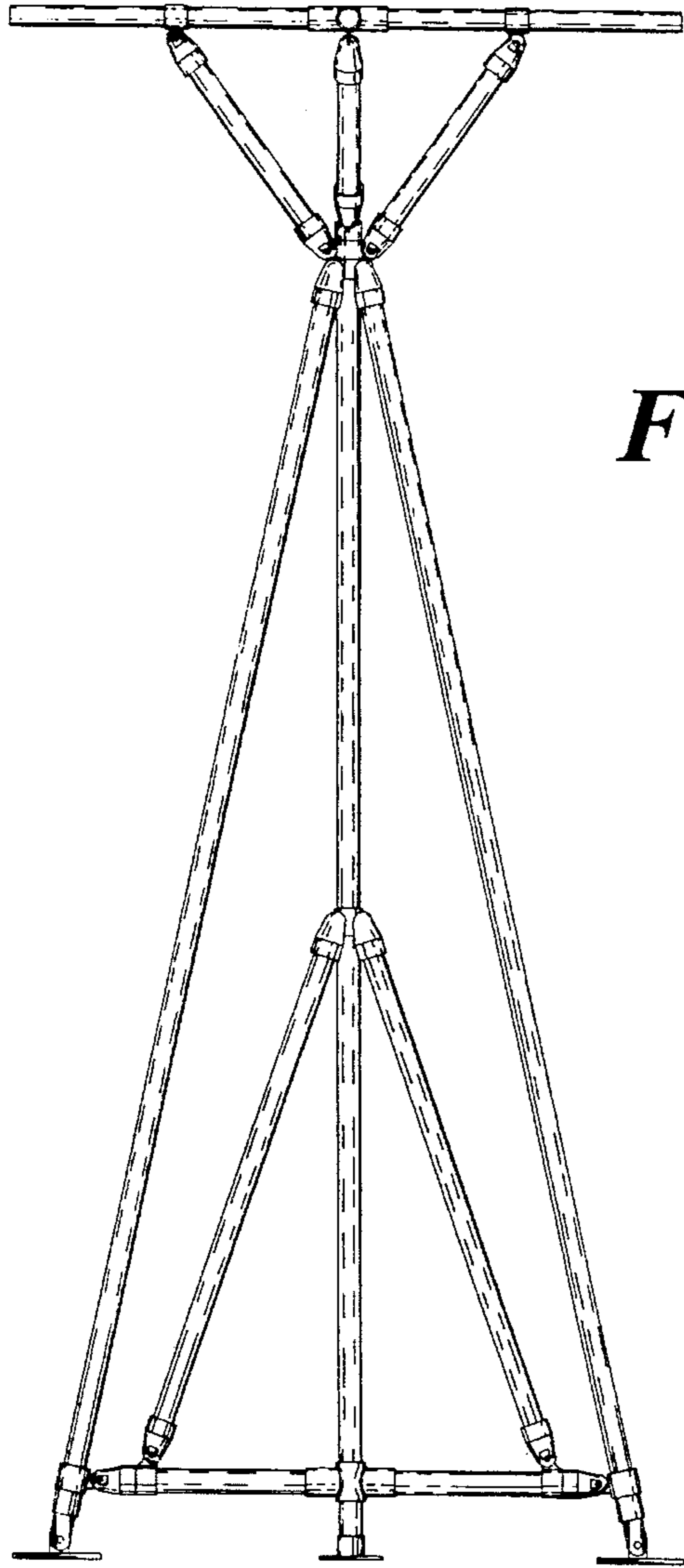


Fig. 6

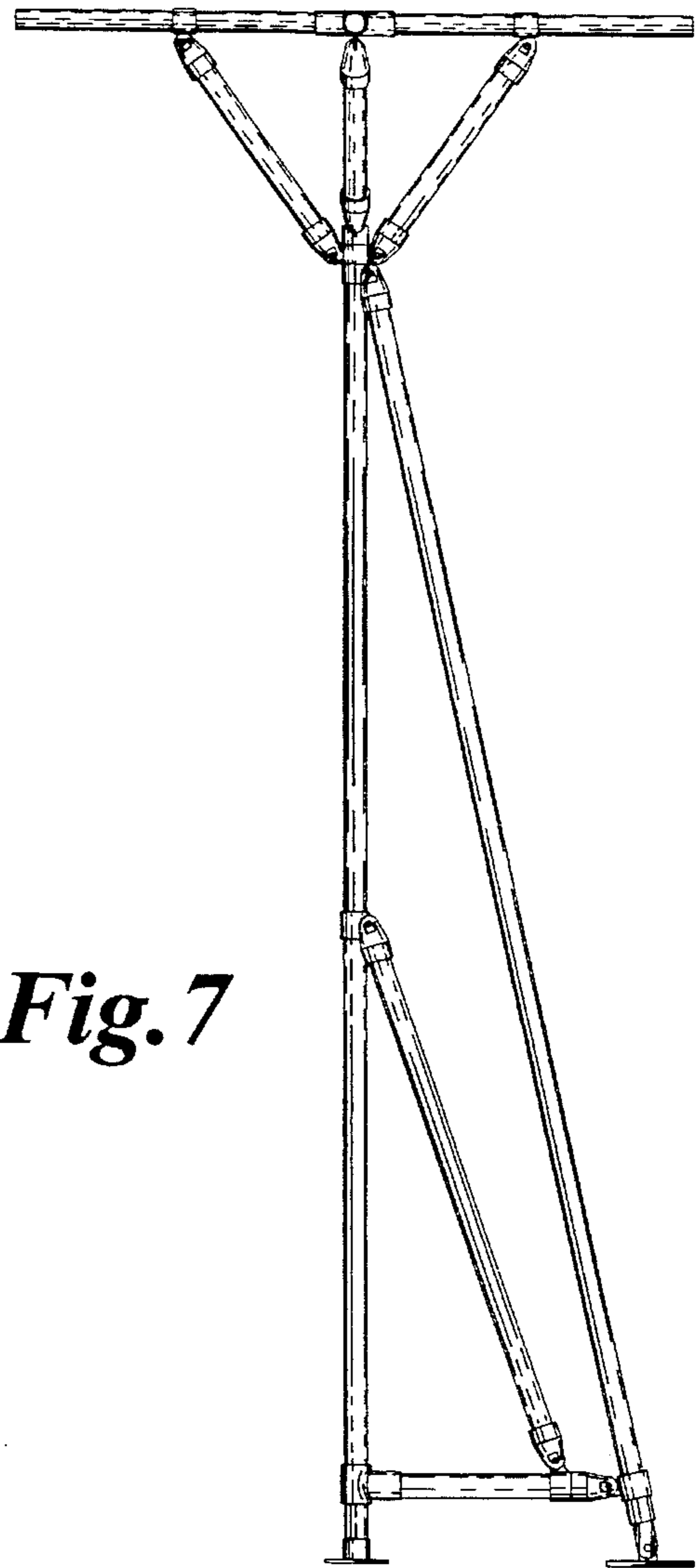


Fig. 7