



US00D376402S

United States Patent [19]

[11] Patent Number: **Des. 376,402**

Barrett

[45] Date of Patent: ****Dec. 10, 1996**

[54] **BOWLING SCORING CONSOLE**

[75] Inventor: **Shawn O. Barrett**, Grayslake, Ill.

[73] Assignee: **Brunswick Bowling & Billiards Corporation**, Muskegon, Mich.

[*] Notice: The portion of the term of this patent subsequent to Mar. 26, 2010, has been disclaimed.

[**] Term: **14 Years**

[21] Appl. No.: **47,816**

[22] Filed: **Nov. 20, 1995**

Related U.S. Application Data

[62] Division of Ser. No. 28,553, Sep. 19, 1994, Pat. No. Des. 368,293.

[52] U.S. Cl. **D21/233**; D10/46.1

[58] Field of Search D21/233; D10/46.1; 473/54, 55, 67, 70, 71, 115; 116/222-225; D6/397, 419, 420, 610, 486, 495; 353/45

[56] References Cited

U.S. PATENT DOCUMENTS

D. 190,659	6/1961	Lapitsky	D10/46.1 X
D. 210,035	1/1968	Schaefer	D10/46.1
D. 235,360	6/1975	Brocker	D6/397
D. 356,962	4/1995	Barrett et al.	D21/233 X
3,043,593	7/1962	Koci	473/87
3,433,479	3/1969	Huck et al.	473/71
4,136,870	1/1979	Kinser	473/67

Primary Examiner—Prabhakar G. Deshmukh
Attorney, Agent, or Firm—Price, Heneveld, Cooper, DeWitt & Litton

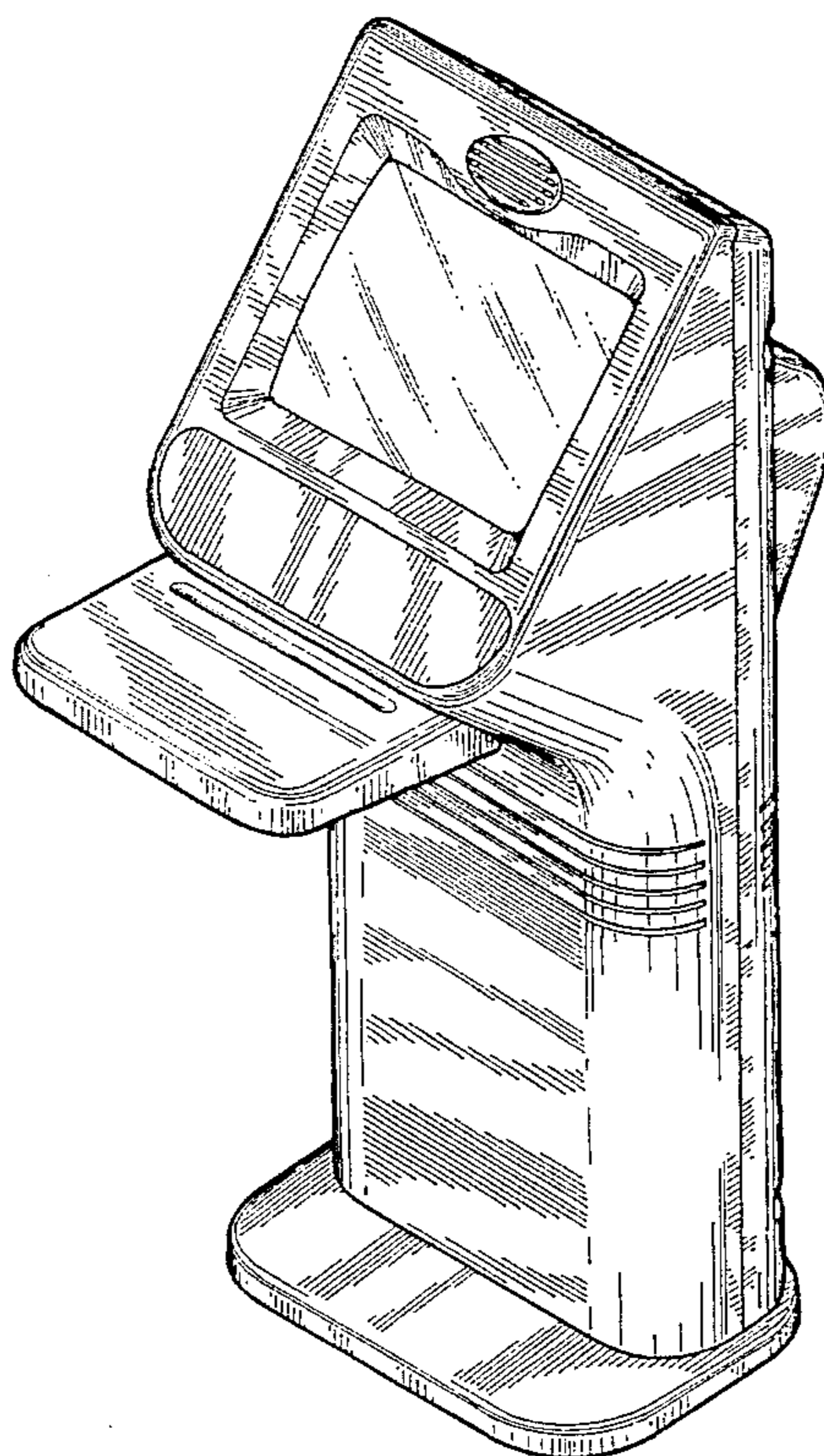
[57] CLAIM

The ornamental design for the bowling scoring console, as shown and described.

DESCRIPTION

FIG. 1 is a front perspective view of a first embodiment of a bowling scoring console showing my new design; FIG. 2 is a rear perspective view of this first embodiment; FIG. 3 is a front elevational view of this first embodiment; FIG. 4 is a right side elevational view of this first embodiment; FIG. 5 is a rear elevational view of this first embodiment; FIG. 6 is a top plan view of this first embodiment; The left side elevational view of this first embodiment is a mirror image of FIG. 4; The bottom of this first embodiment is plain; FIG. 7 is a front perspective view of the second embodiment of a bowling scoring console showing my new design; FIG. 8 is a rear perspective view of the second embodiment; FIG. 9 is a front elevational view of the second embodiment; FIG. 10 is a right side elevational view of the second embodiment; and, FIG. 11 is a top plan view of the second embodiment; The left side elevational view of the second embodiment is a mirror image of FIG. 10; The rear view of the second embodiment is the same as FIG. 5; The bottom of the second embodiment is plain.

1 Claim, 8 Drawing Sheets



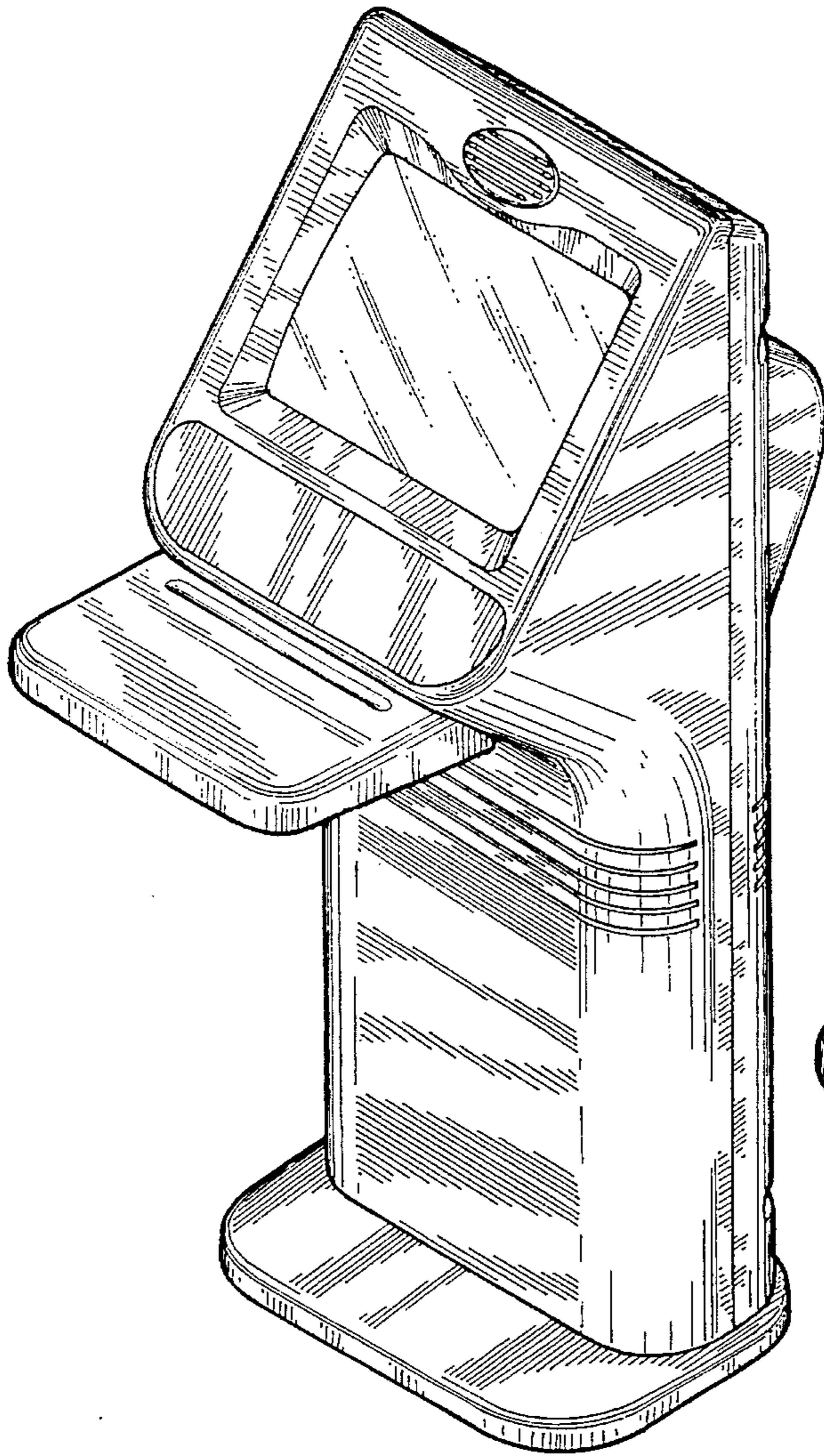


FIG. 1

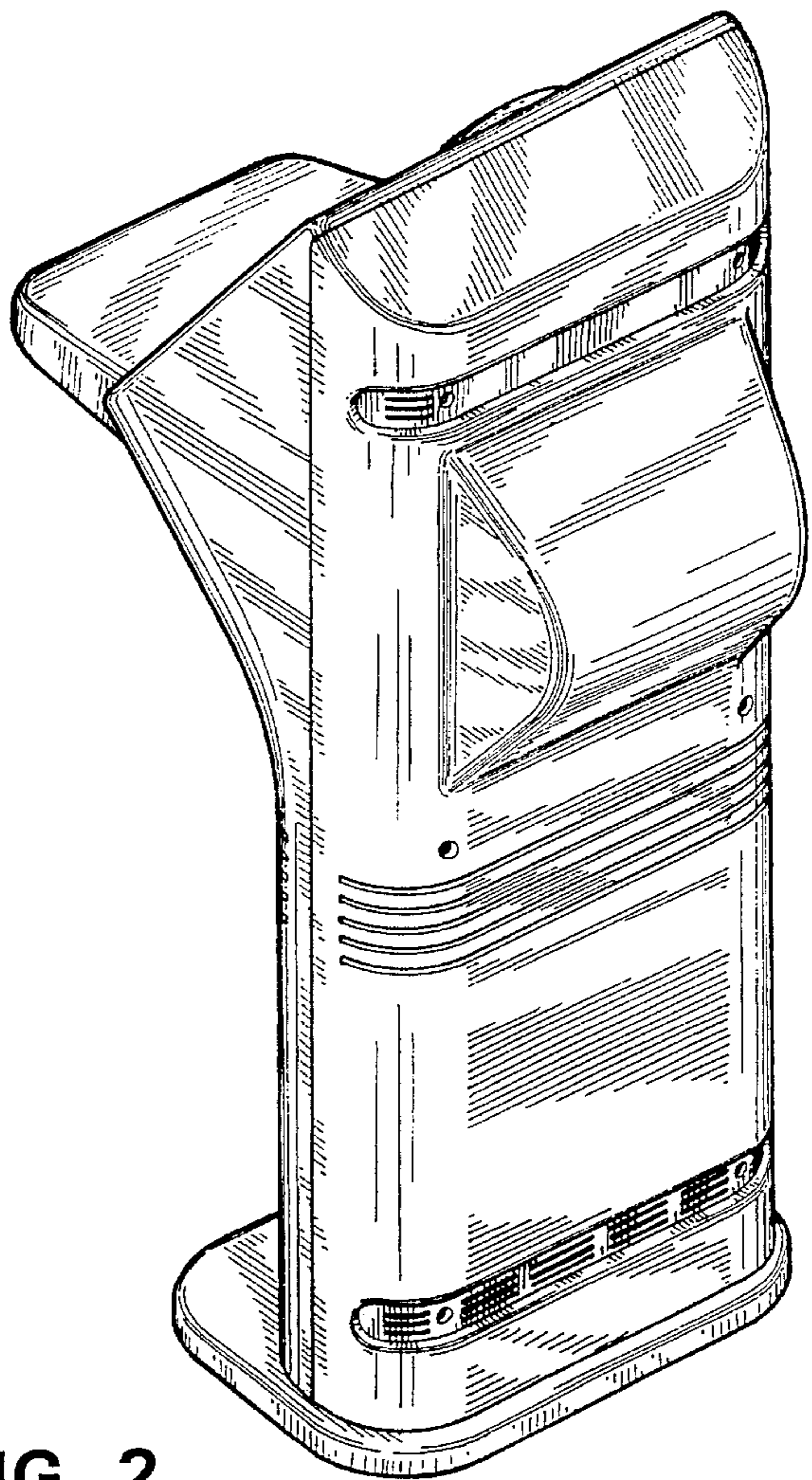


FIG. 2

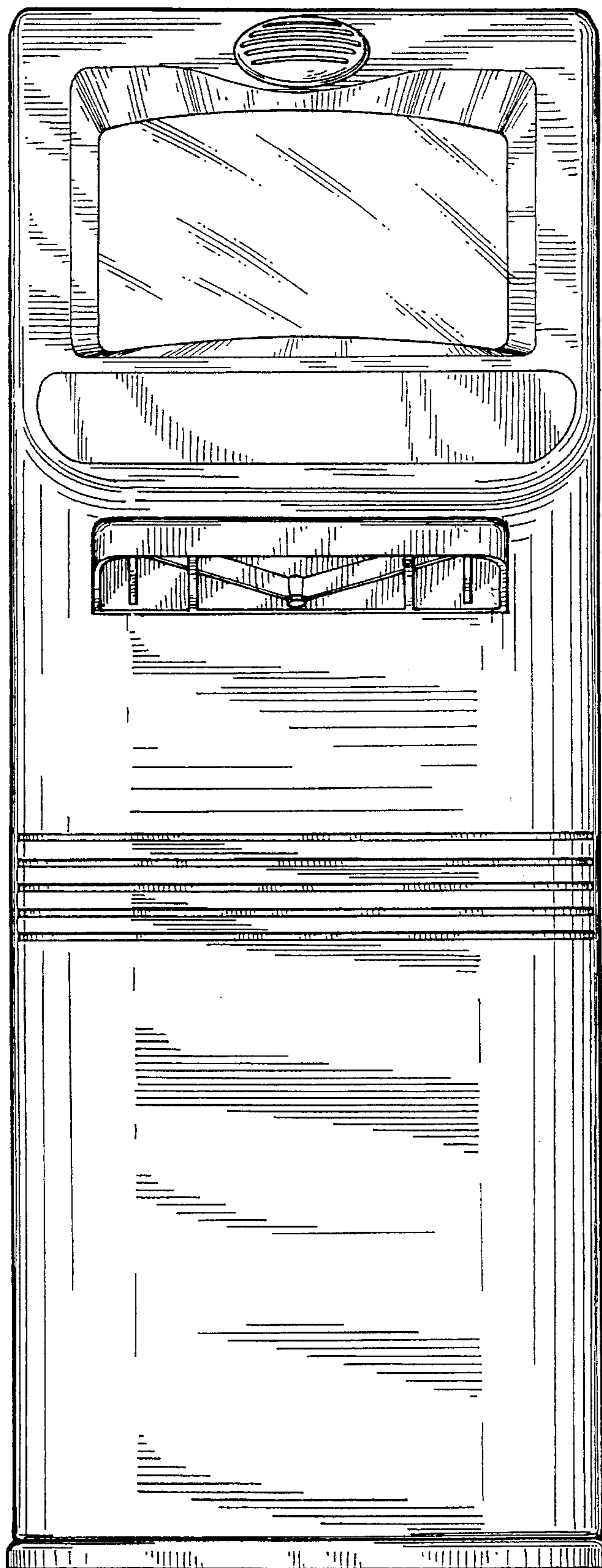


FIG. 3

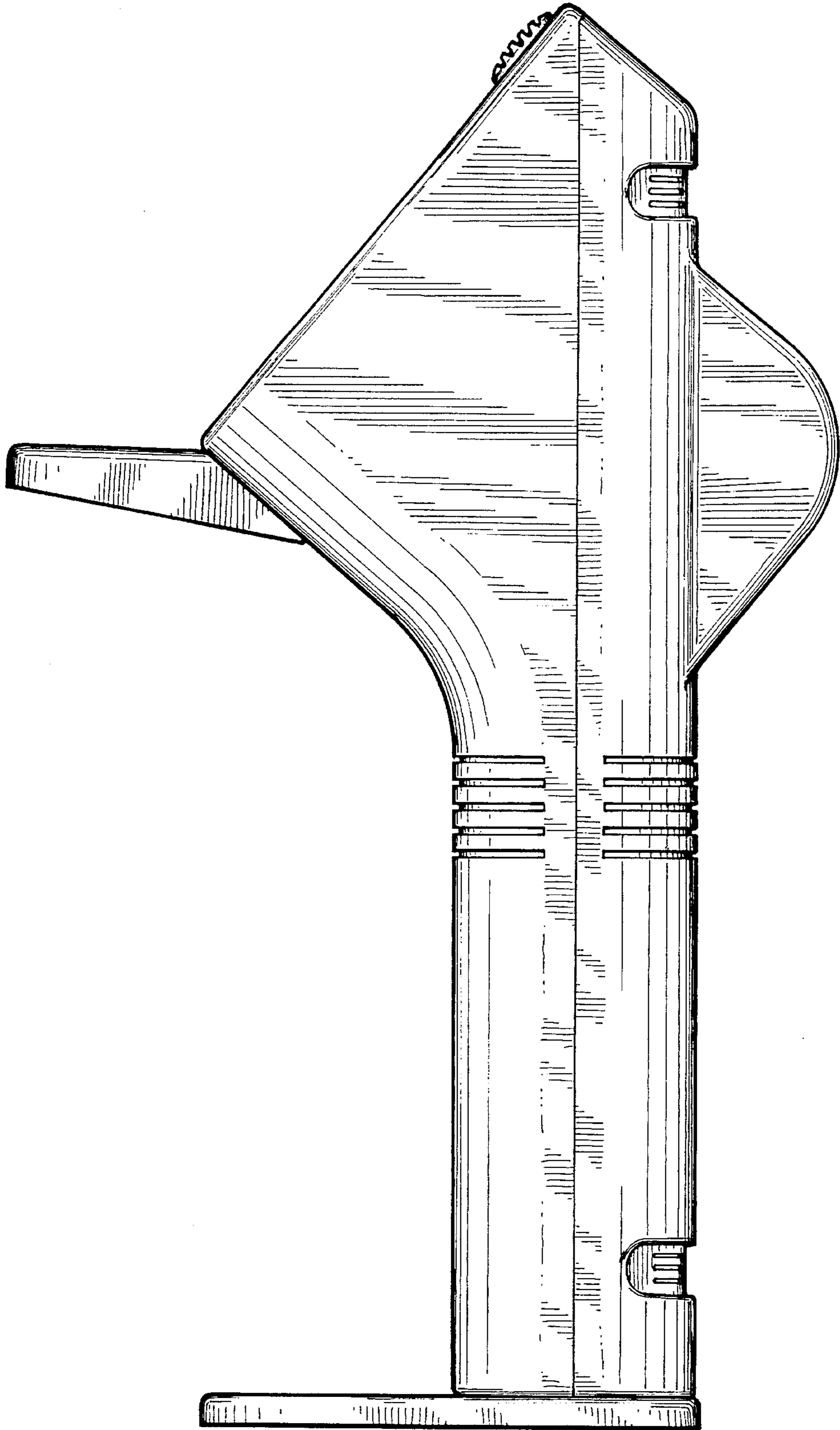


FIG. 4

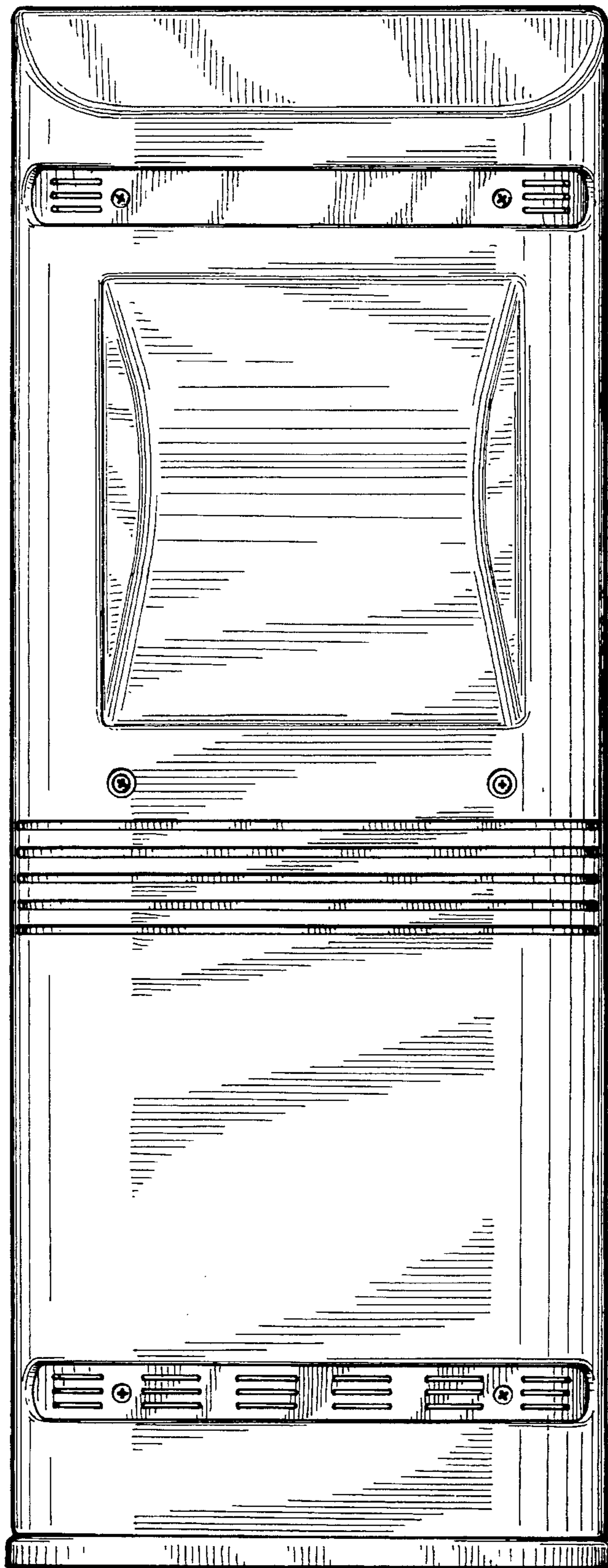


FIG. 5

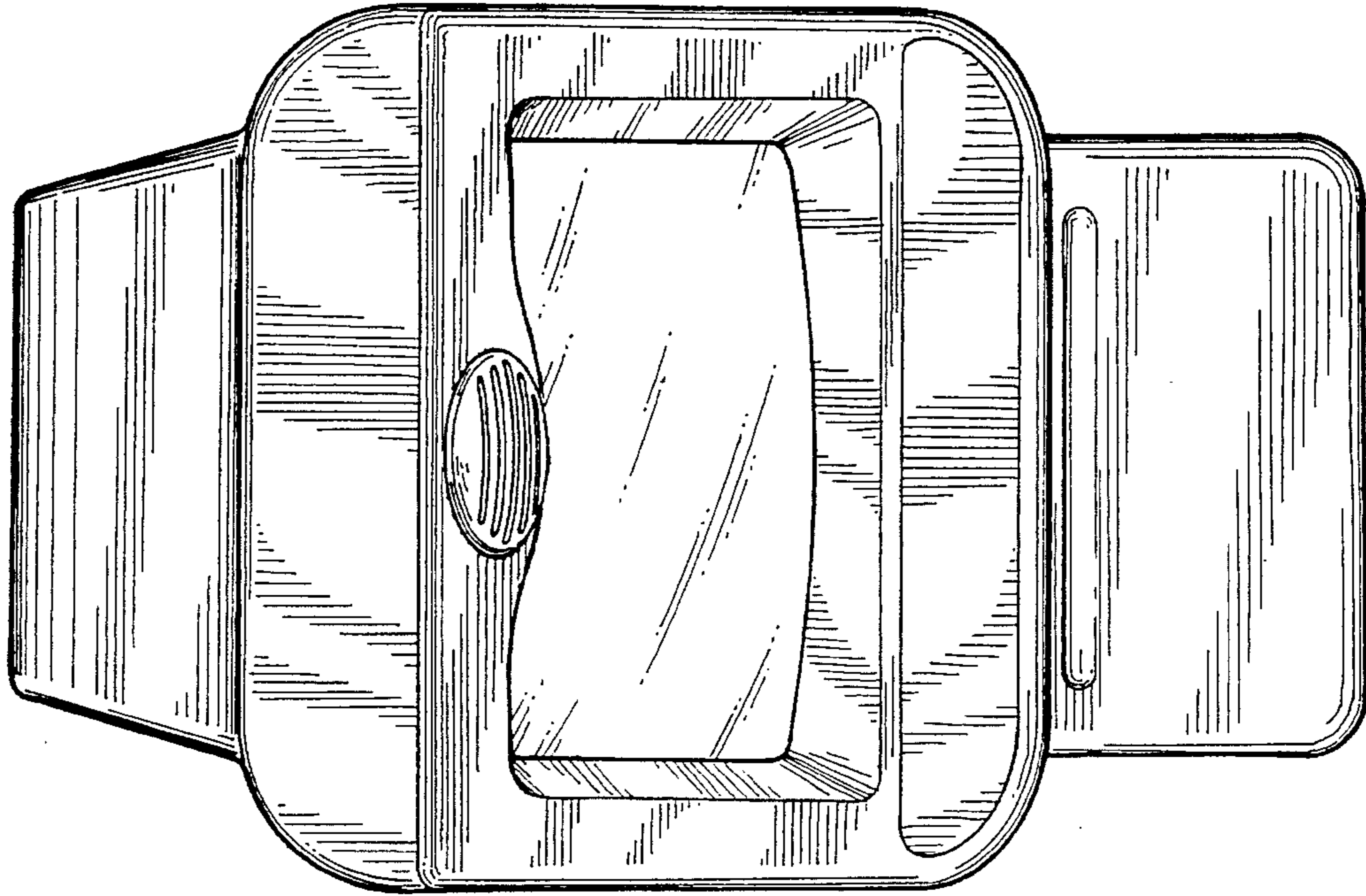


FIG. 6

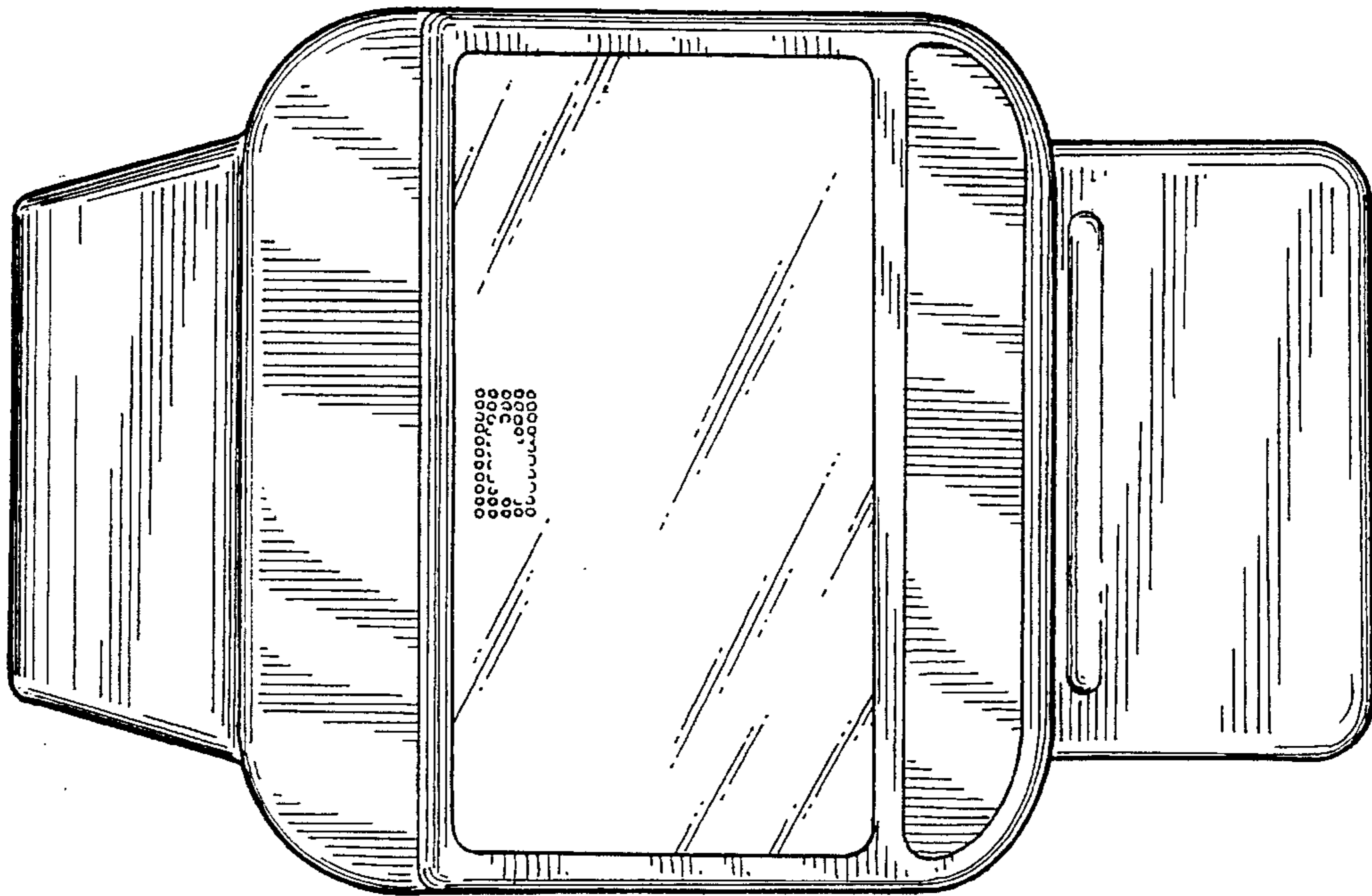


FIG. 11

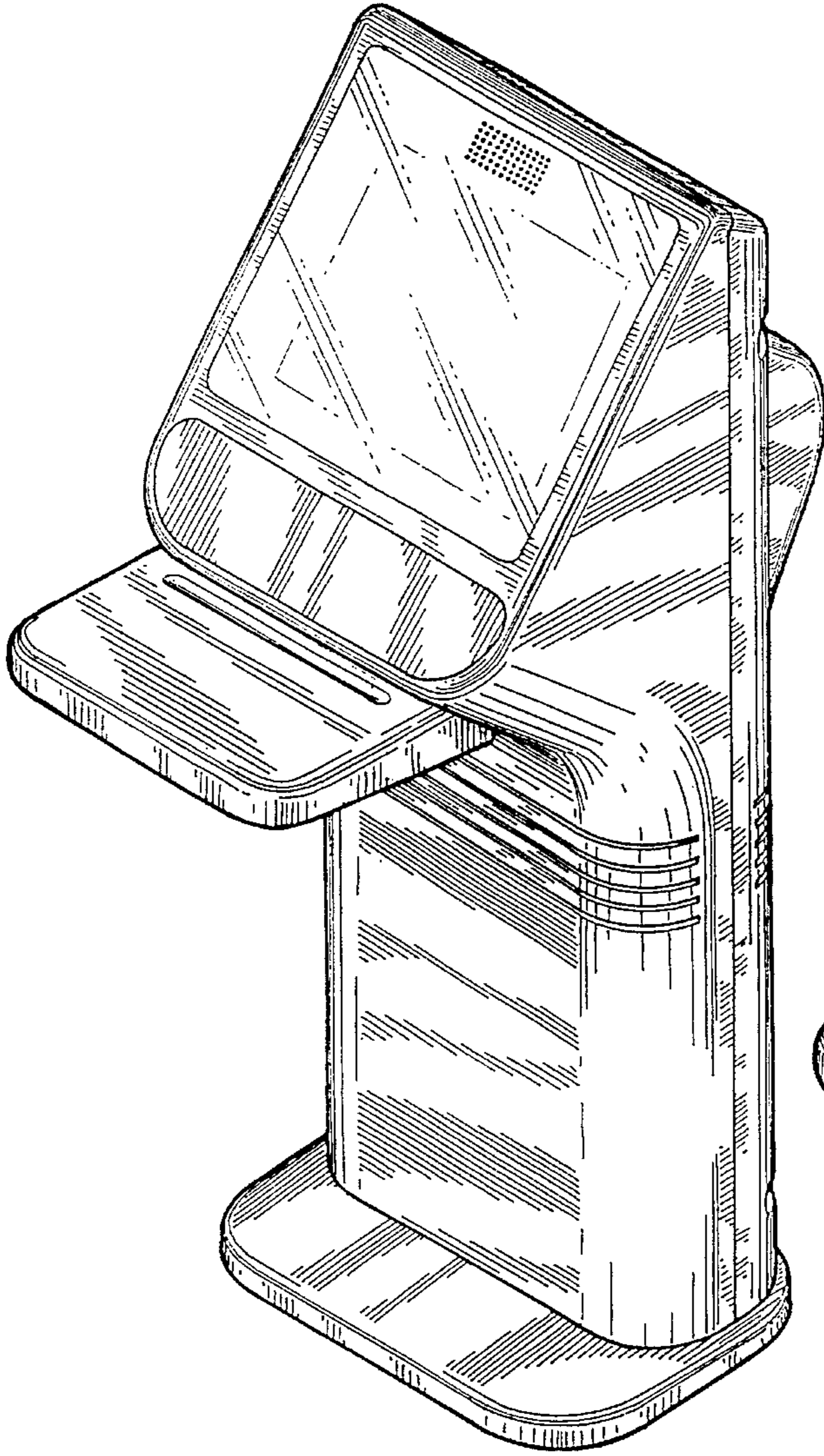


FIG. 7

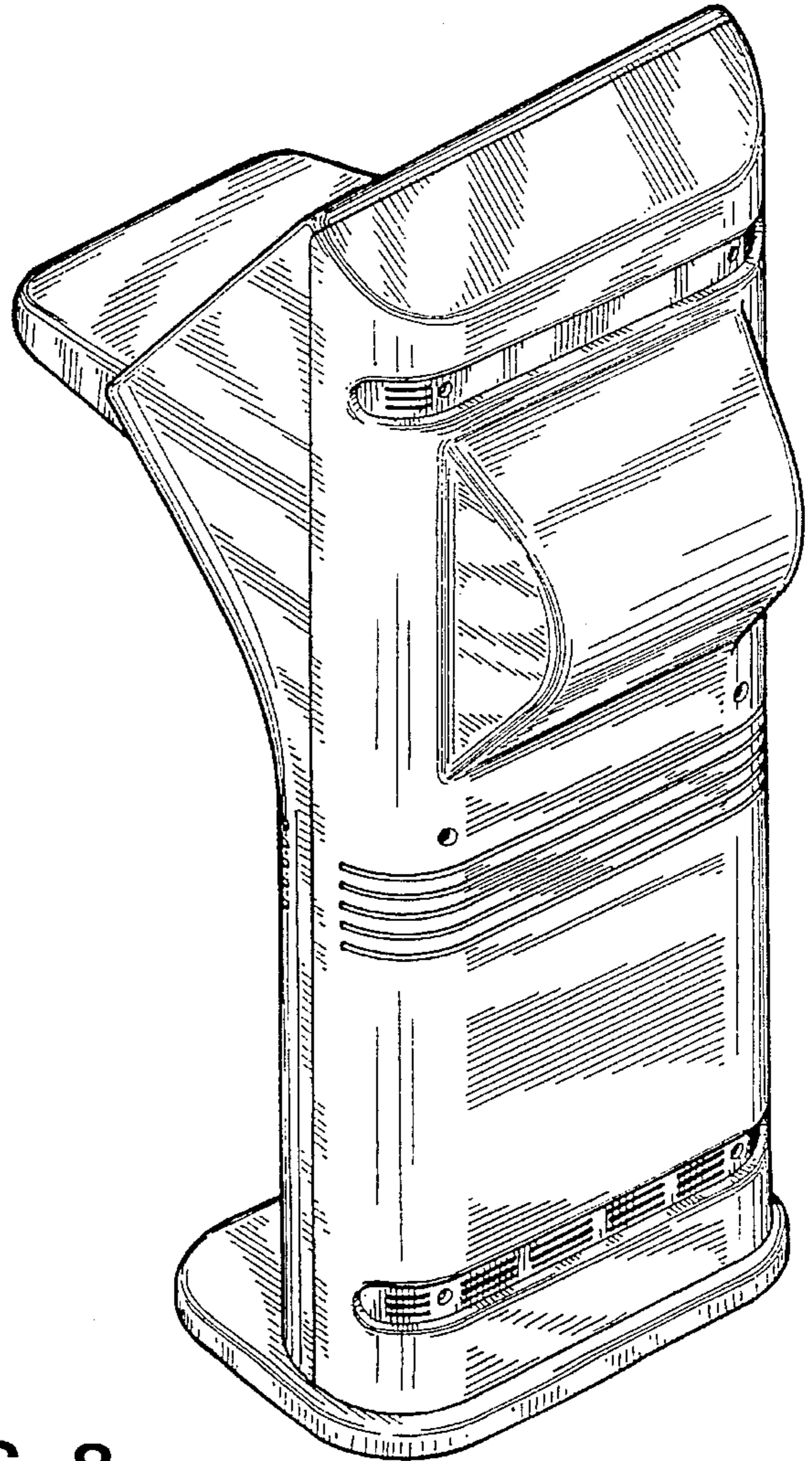


FIG. 8

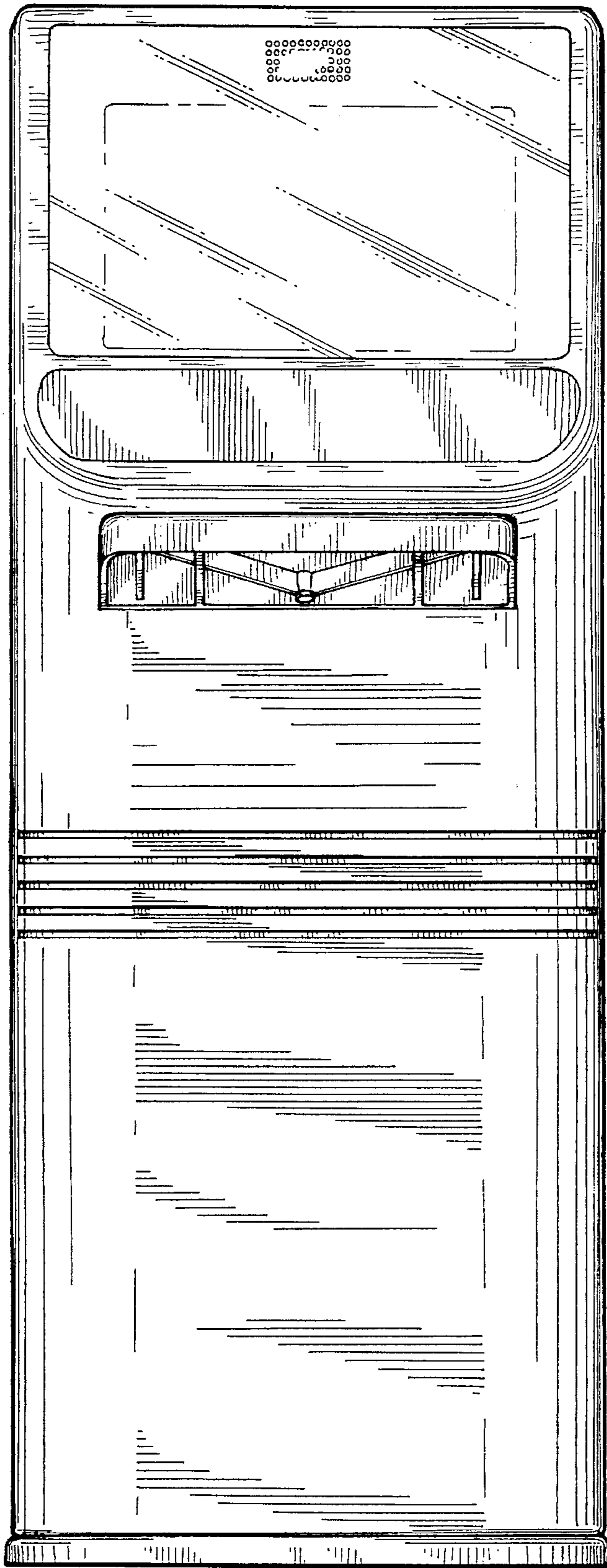


FIG. 9

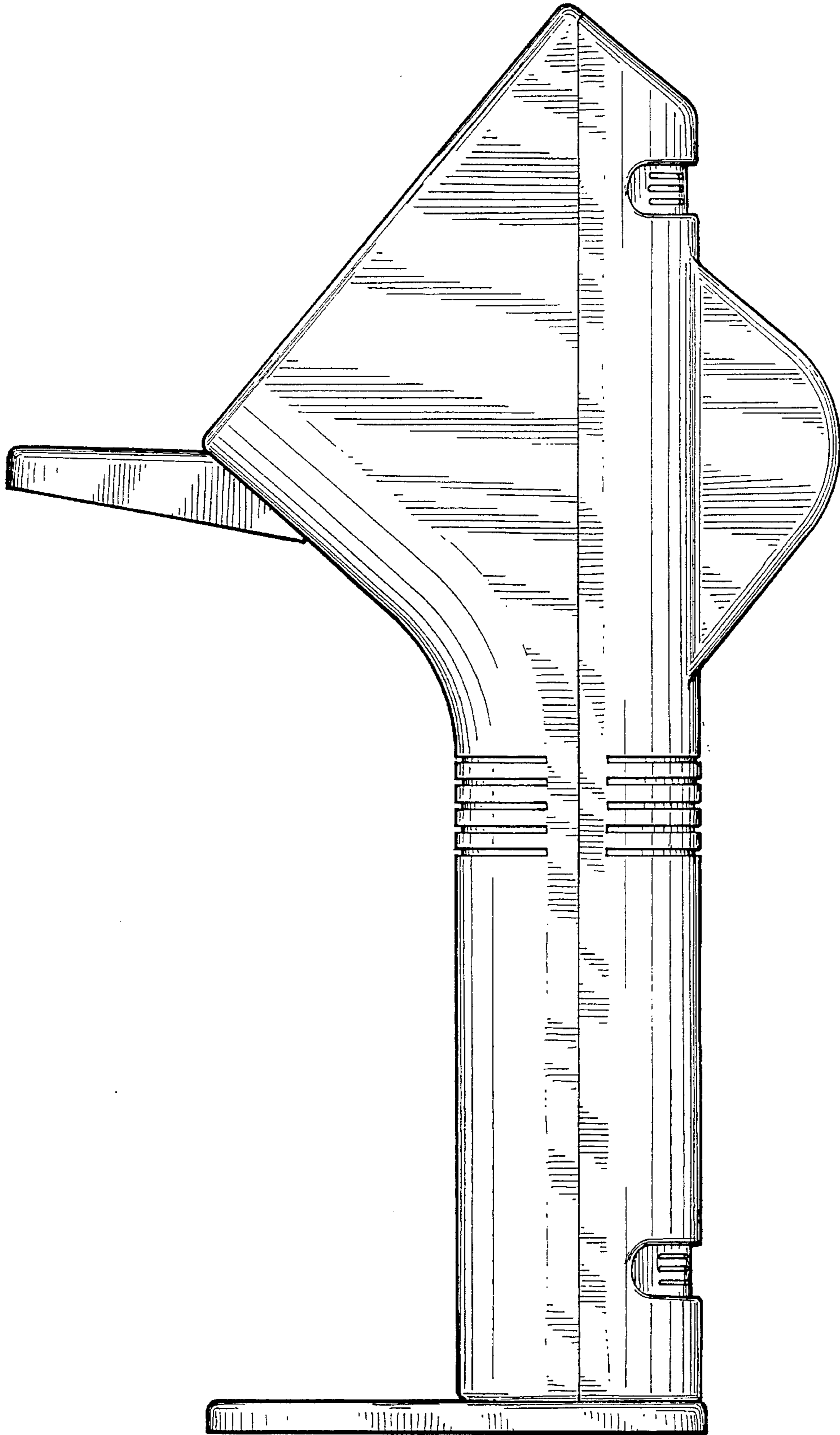


FIG. 10