



US00D376401S

United States Patent [19]

[11] Patent Number: **Des. 376,401**

Lucas et al.

[45] Date of Patent: ****Dec. 10, 1996**

[54] **GAMES TABLE**

3,881,727 5/1975 Olson 473/4

[75] Inventors: **Victor Lucas**, Sallins, Ireland; **Paul Russell**, Bilzen, Belgium

OTHER PUBLICATIONS

Recreation Management, May 1966, back cover.

Coleco Catalog, Oct. 1969.

Advertisement, *European Billiard News*, Oct. 1994.

[73] Assignee: **Willie Holt (Belgium) B.V.B.A.**, Hoeselt, Belgium

[**] Term: **14 Years**

Primary Examiner—Prabhakar G. Deshmukh

Attorney, Agent, or Firm—William C. Geary, III; Lahive & Cockfield

[21] Appl. No.: **40,778**

[22] Filed: **Jun. 22, 1995**

[57] CLAIM

The ornamental design for a games table, as shown and described.

[30] Foreign Application Priority Data

Dec. 22, 1994 [IE] Ireland D436/94

[52] U.S. Cl. **D21/232**

[58] Field of Search D21/232; 473/1, 473/4-9, 21, 28, 17

DESCRIPTION

FIG. 1 is a top, front, and right side perspective view of a games table embodying our new design;

FIG. 2 is a front elevational view thereof;

FIG. 3 is a left side elevational view thereof, the right side being a mirror image of the left side;

FIG. 4 is a rear elevational view thereof;

FIG. 5 is a top plan view thereof; and,

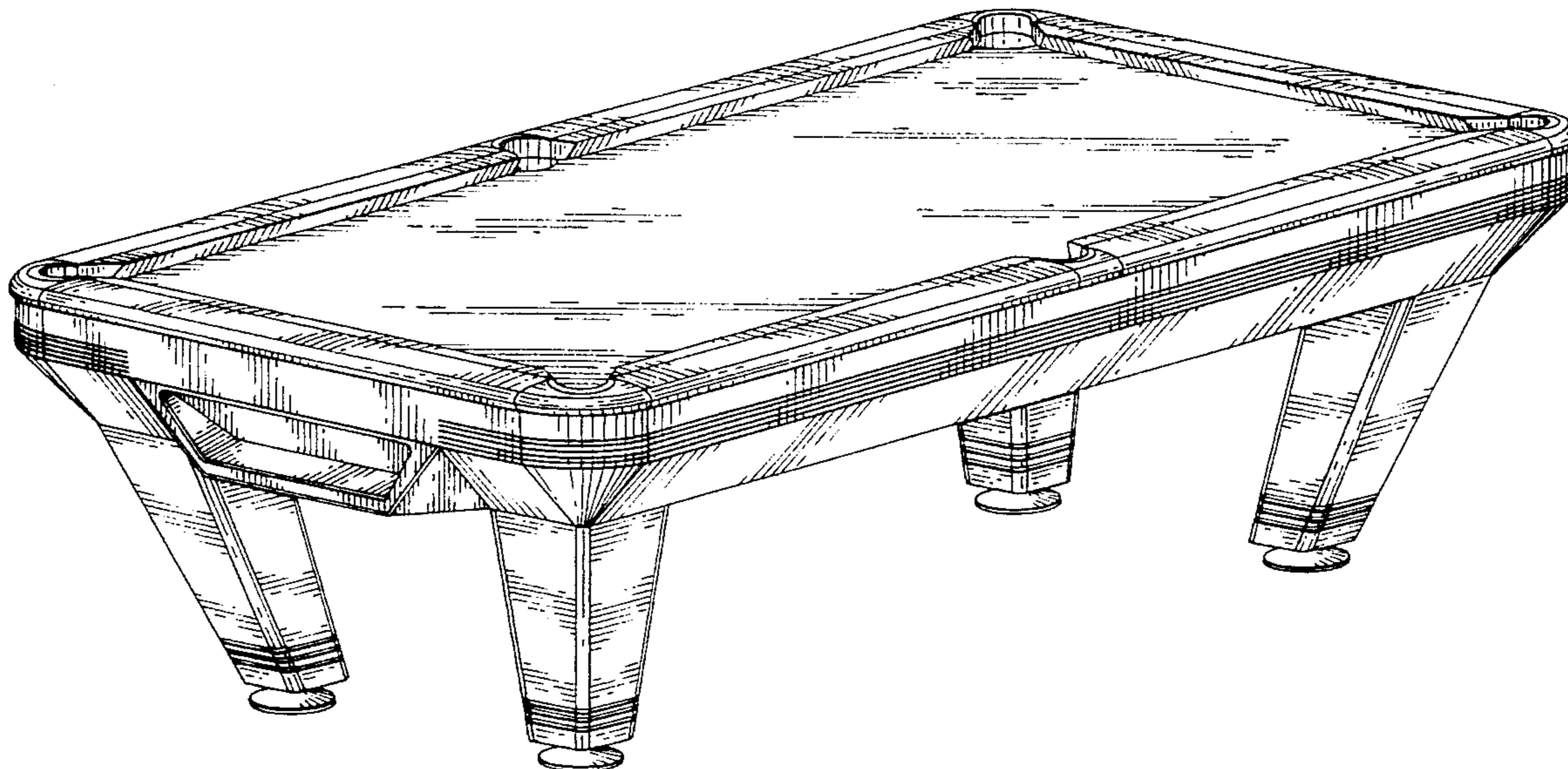
FIG. 6 is a bottom plan view thereof.

[56] References Cited

U.S. PATENT DOCUMENTS

D. 62,448	6/1923	Hine	D21/232
D. 348,916	7/1994	Powers	D21/232
1,656,416	1/1928	Brinkman	473/4 X
3,180,642	4/1965	Reineman	473/4

1 Claim, 6 Drawing Sheets



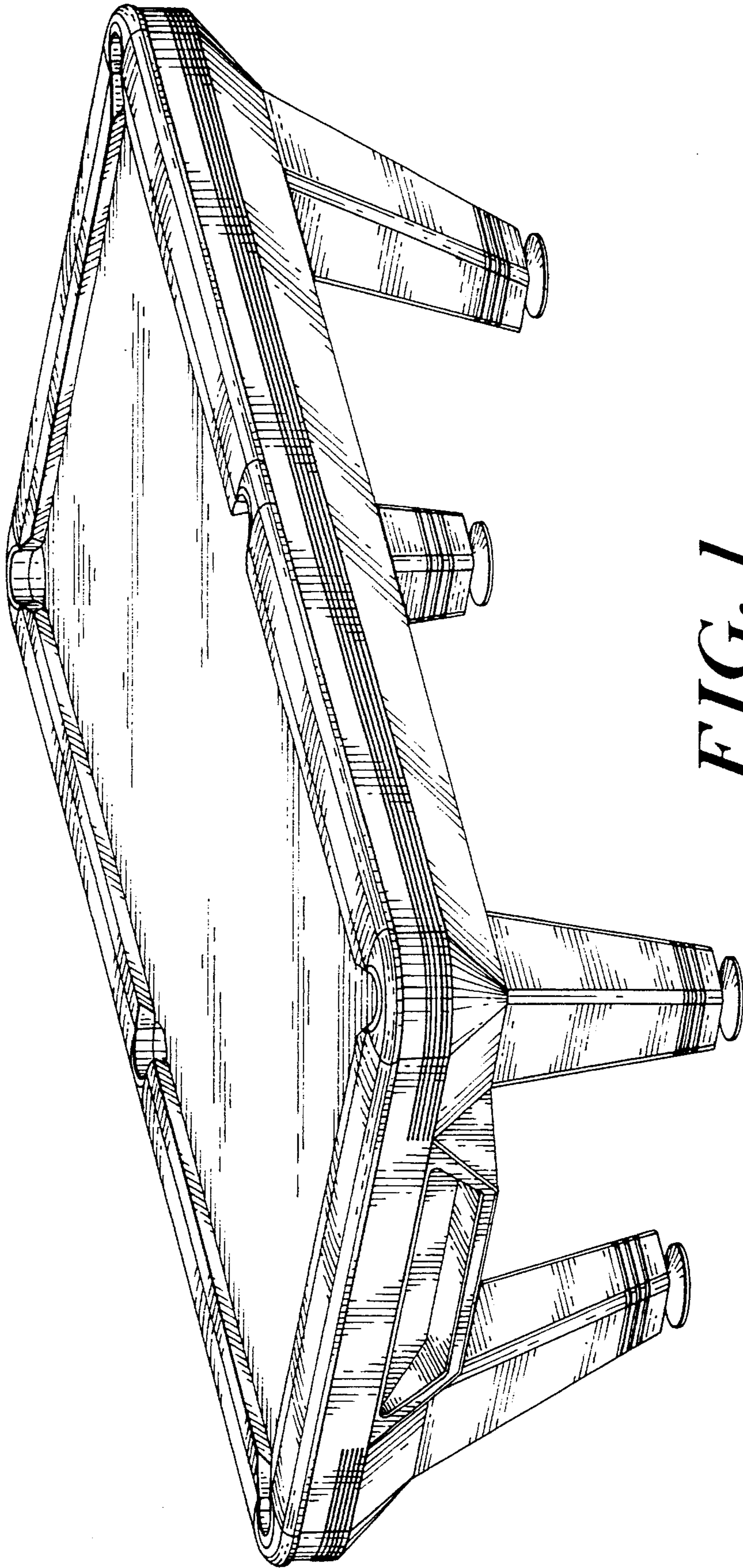


FIG. 1

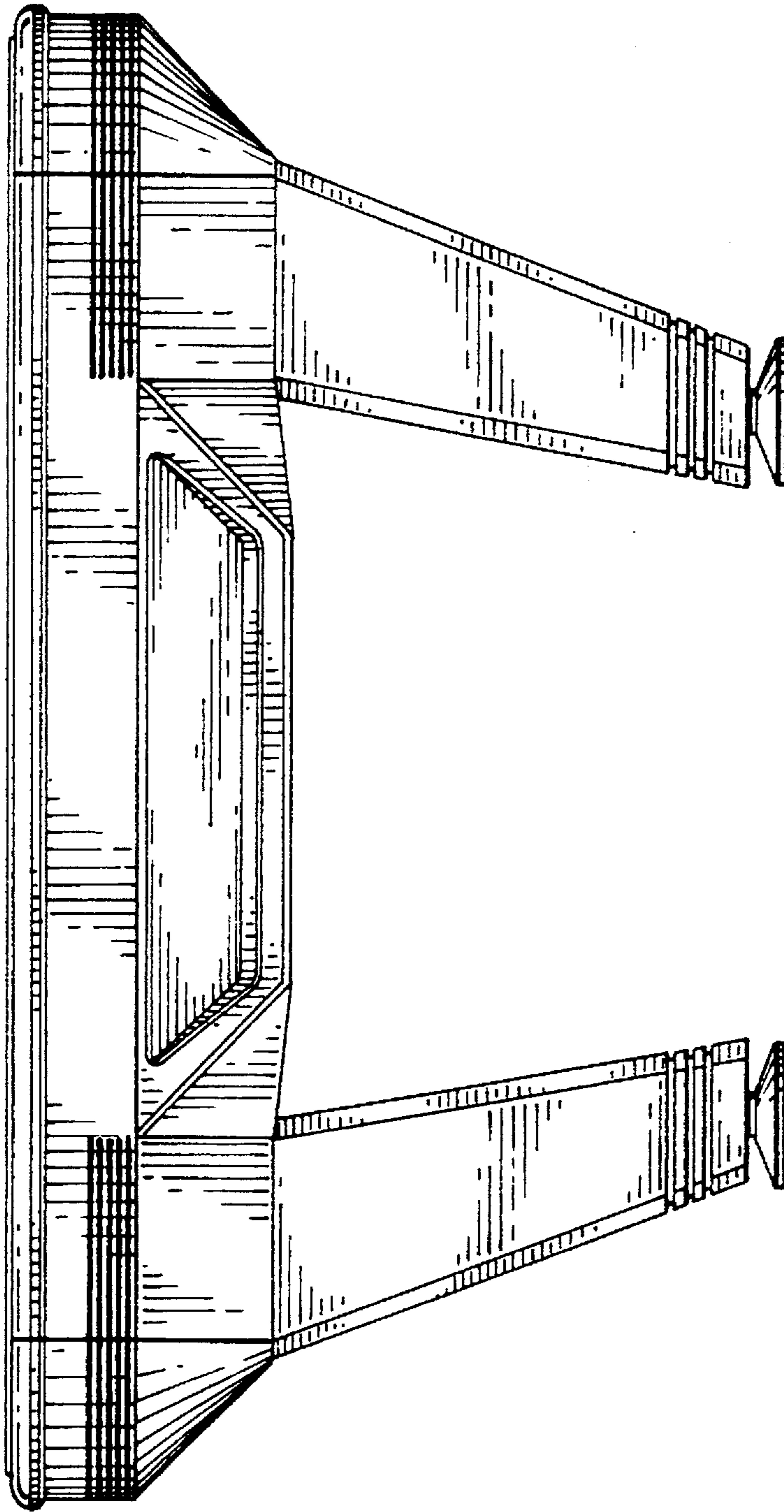


FIG. 2

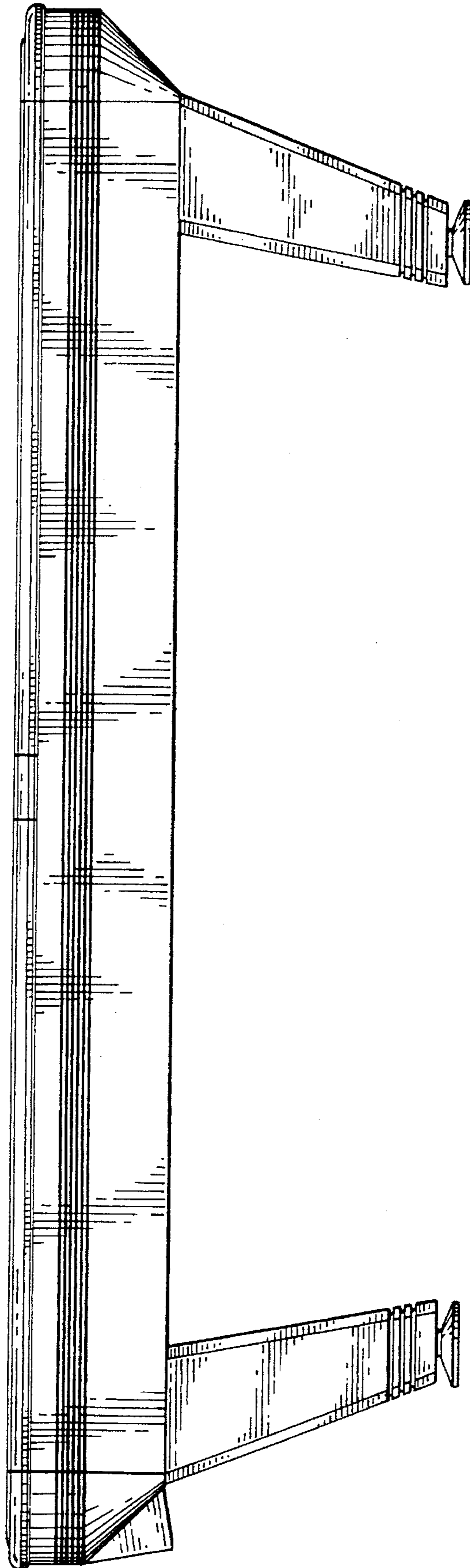


FIG. 3

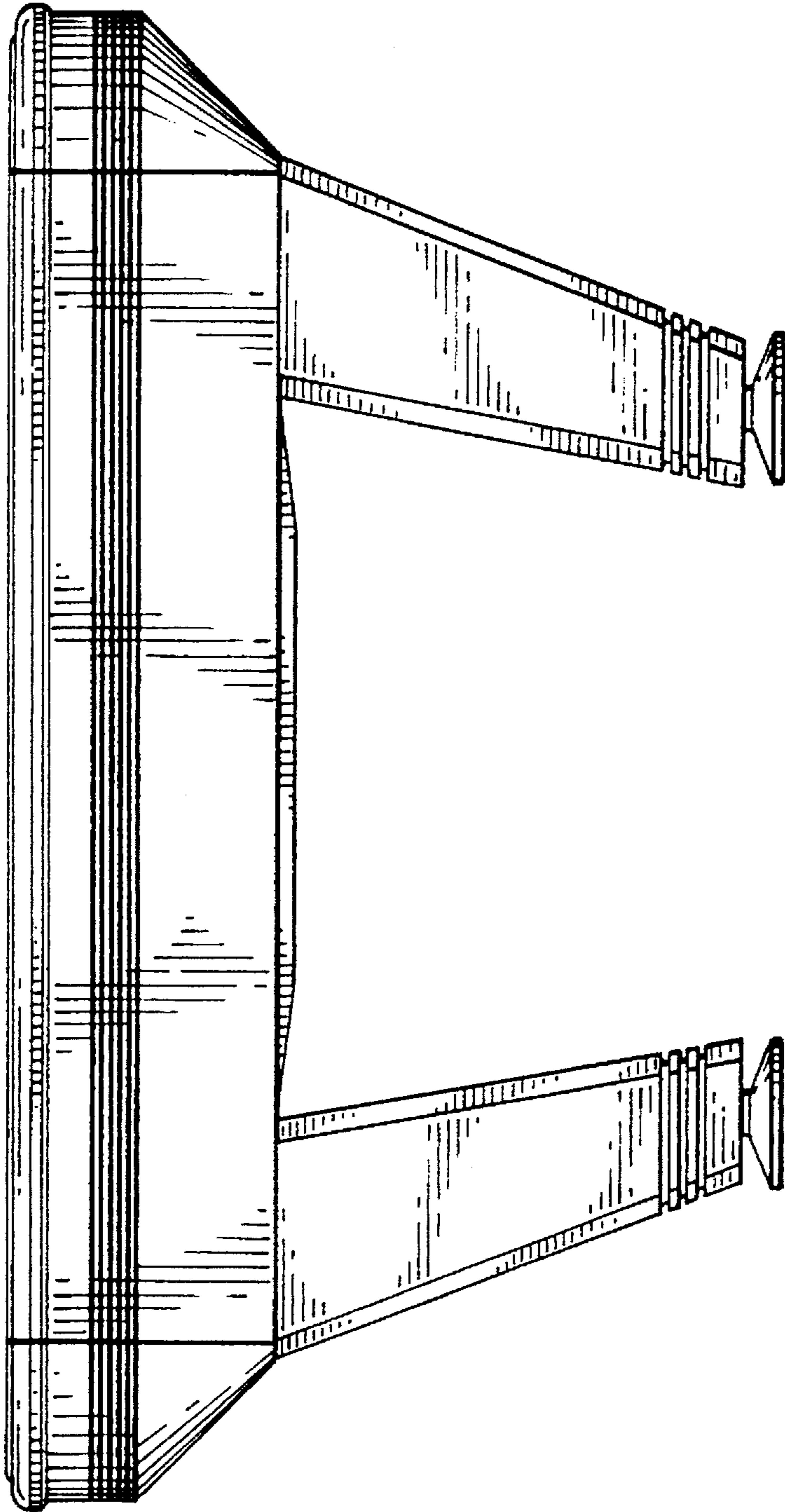


FIG. 4

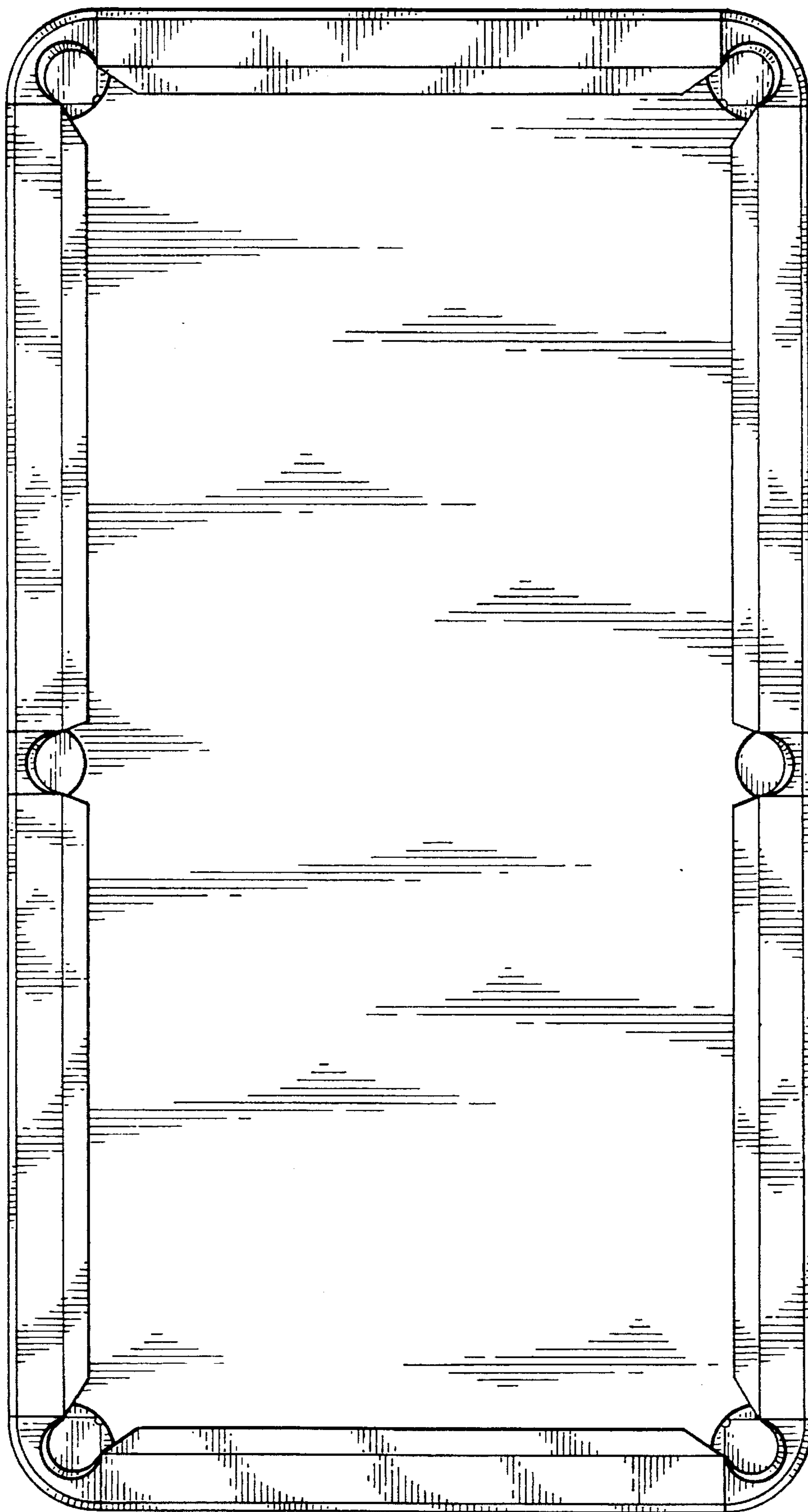


FIG. 5

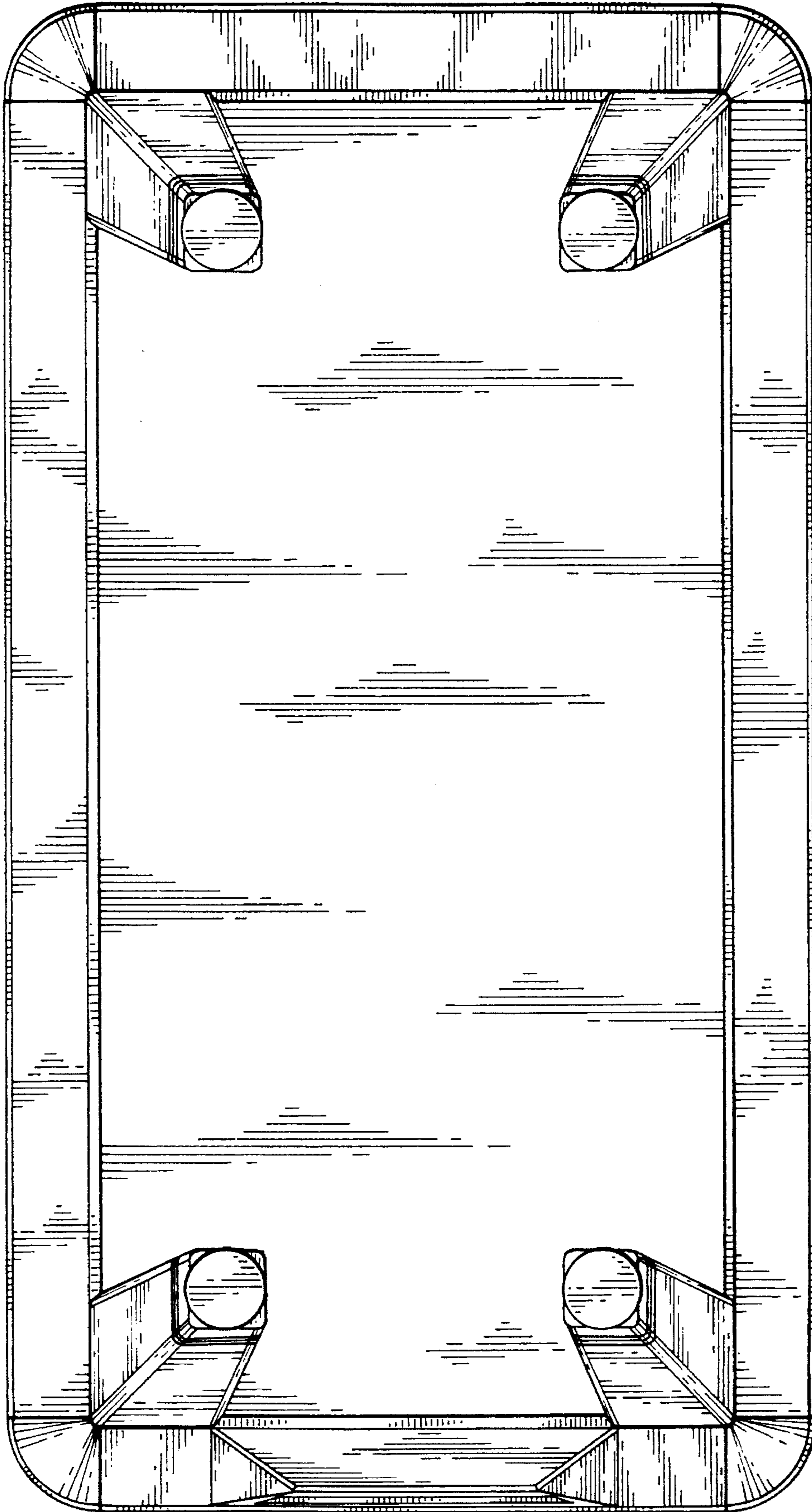


FIG. 6