



US00D376400S

United States Patent [19]

Nakazaki

[11] **Patent Number: Des. 376,400**

[45] **Date of Patent: **Dec. 10, 1996**

[54] **GOLF GRIP**

[75] Inventor: **Tracy D. Nakazaki**, Manhattan Beach, Calif.

[73] Assignee: **Tacki-Mac Grips, Inc.**, Las Vegas, Nev.

[**] Term: **14 Years**

[21] Appl. No.: **43,347**

[22] Filed: **Sep. 1, 1995**

[52] U.S. Cl. **D21/222**

[58] Field of Search **D21/222; 273/81 R, 273/81 B**

[56] **References Cited**

U.S. PATENT DOCUMENTS

D. 321,233	10/1991	Fenton	D21/222
D. 328,484	8/1992	Hsien	D21/222
5,087,042	2/1992	Solheim	D21/222 X

OTHER PUBLICATIONS

Golf Day magazine; p. 8; Golf club grips items B, C and D.

Primary Examiner—Ted Shooman

Assistant Examiner—Mitchell I. Siegel

Attorney, Agent, or Firm—Quirk & Tratos

[57] **CLAIM**

The ornamental design for a golf grip, as shown and described.

DESCRIPTION

FIG. 1 is a rear perspective view of a golf grip showing my new design;

FIG. 2 is a front perspective view thereof;

FIG. 3 is a bottom plan view thereof;

FIG. 4 is a top plan view thereof;

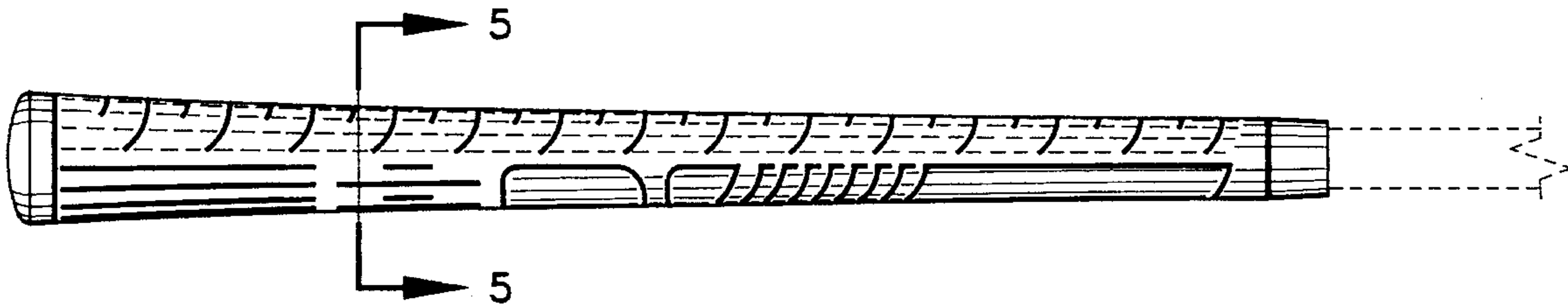
FIG. 5 is an enlarged cross sectional view taken on line 5—5 of FIG. 6;

FIG. 6 is a right side elevational view of FIG. 1; and,

FIG. 7 is an inverted left side elevational view of FIG. 1.

The broken line showing of a fragmented shaft on FIGS. 1, 2, 6 and 7 is for illustrative purposes only and forms no part of the claimed design.

1 Claim, 3 Drawing Sheets



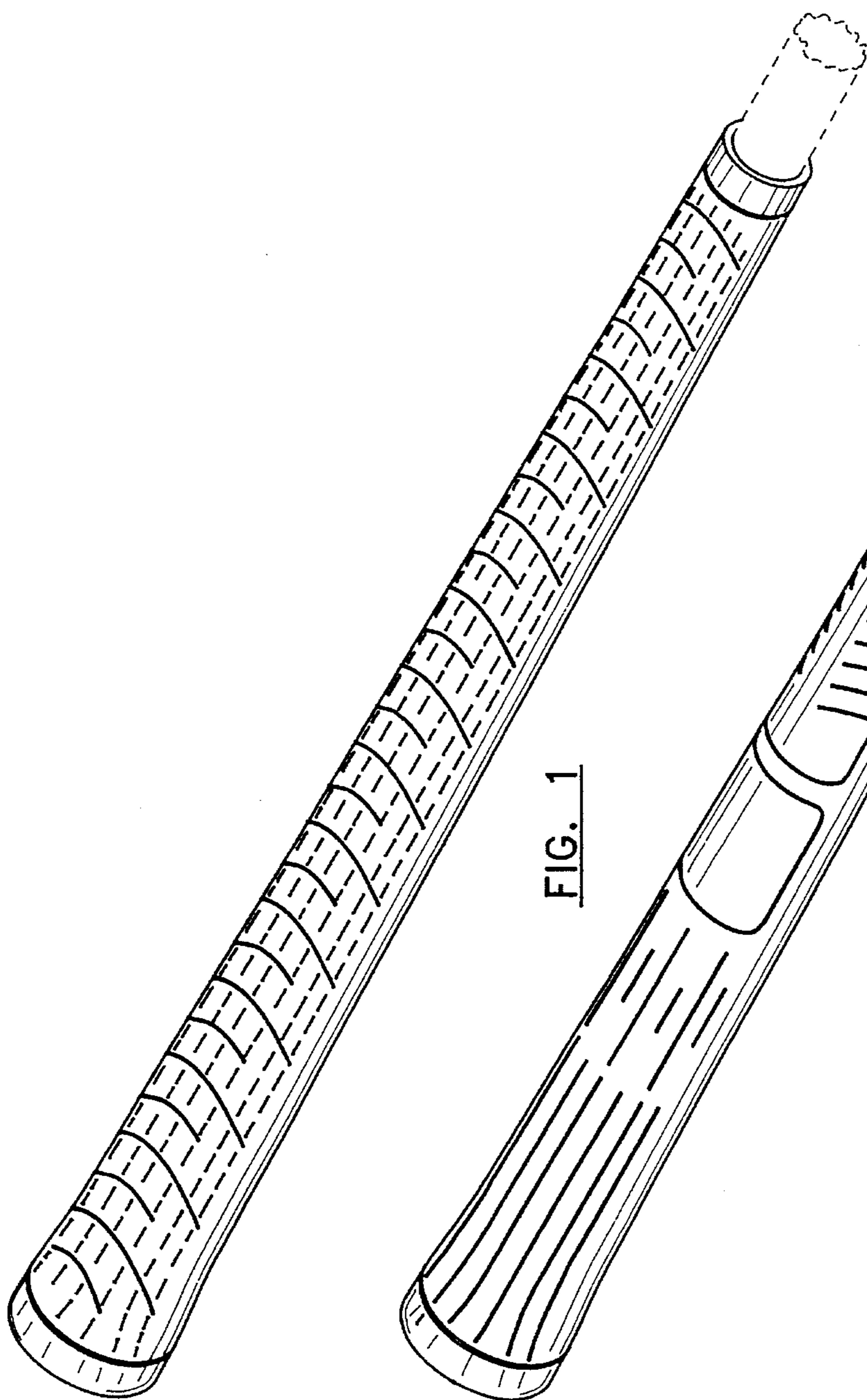


FIG. 1

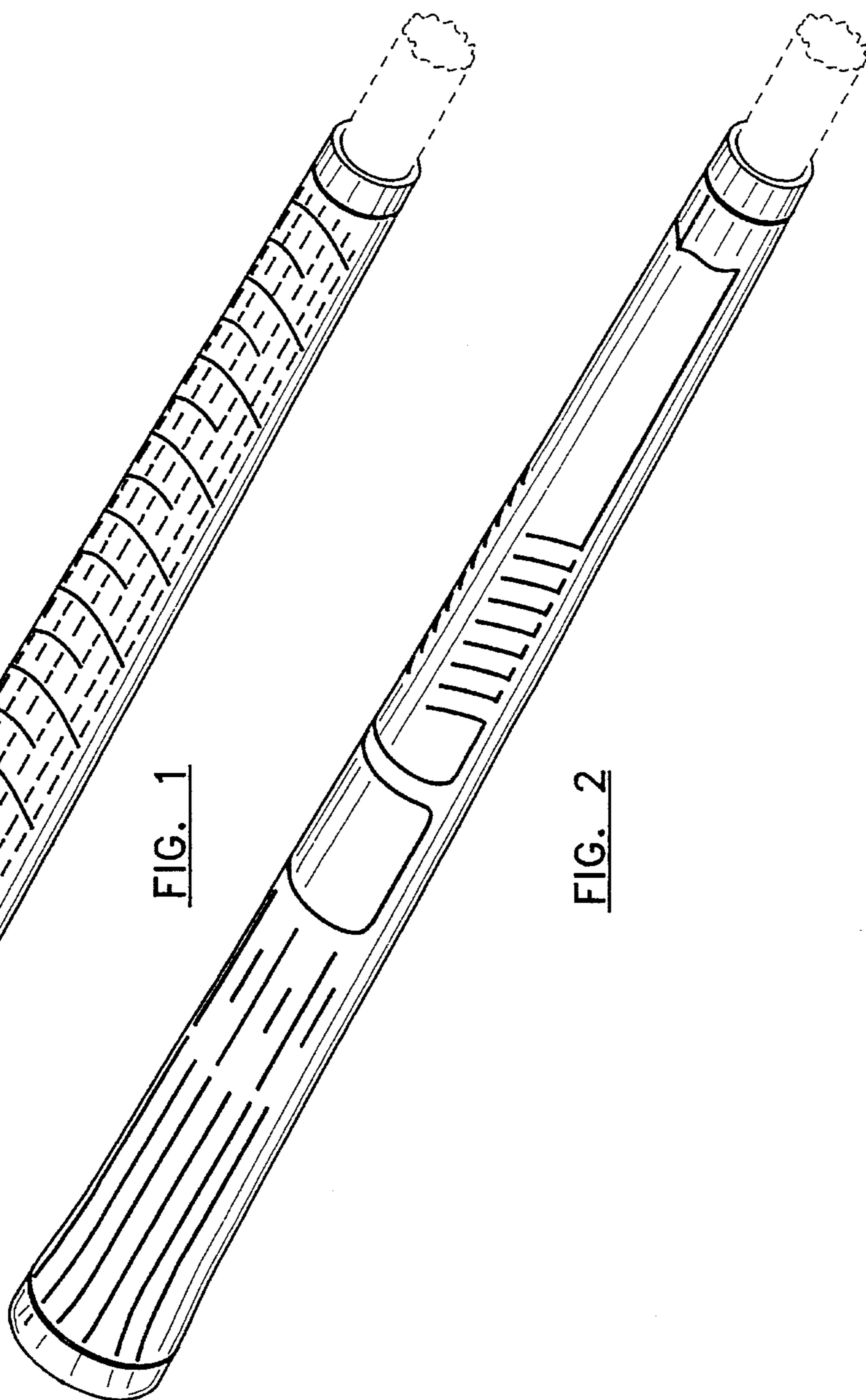


FIG. 2

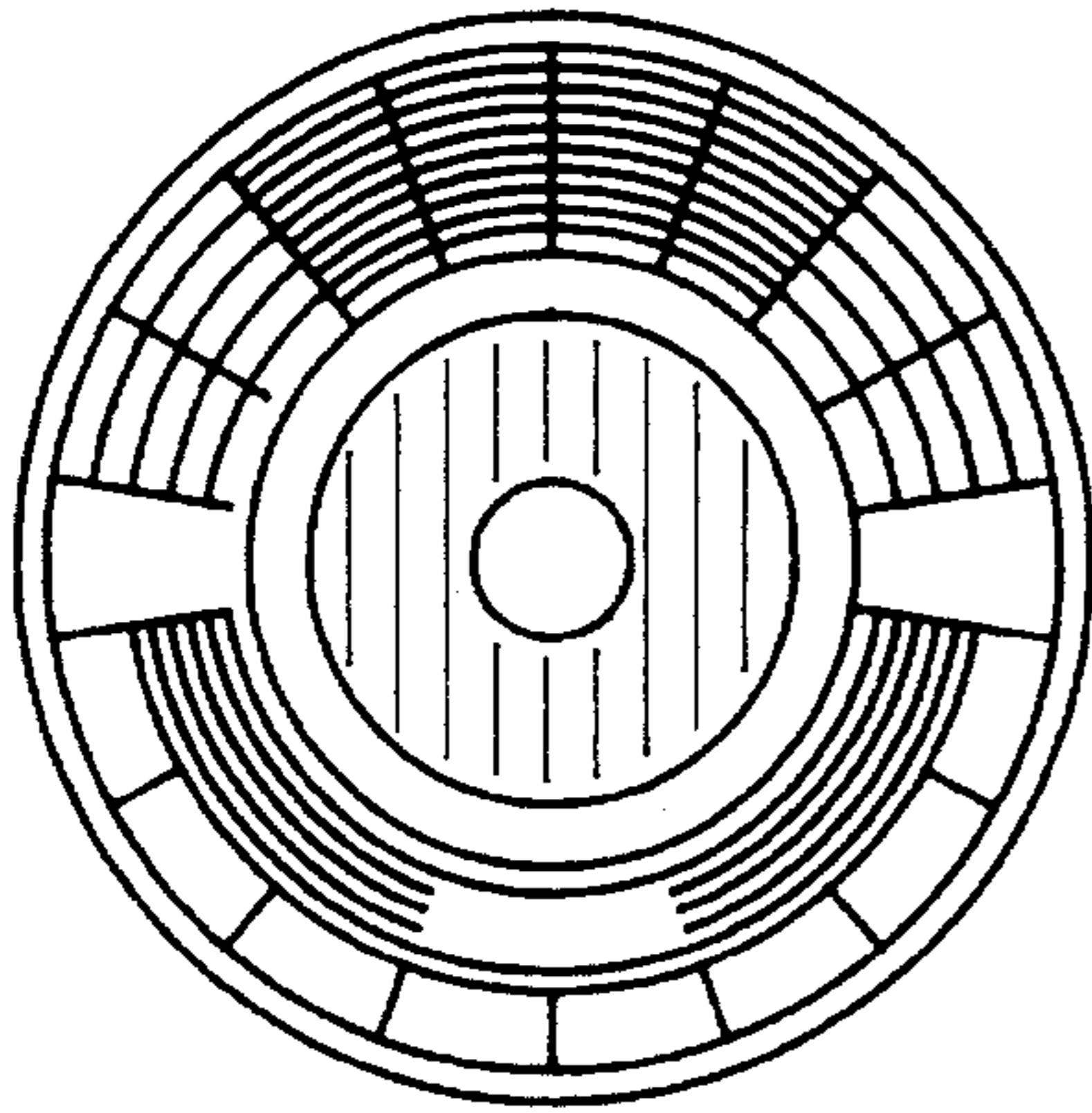


FIG. 3

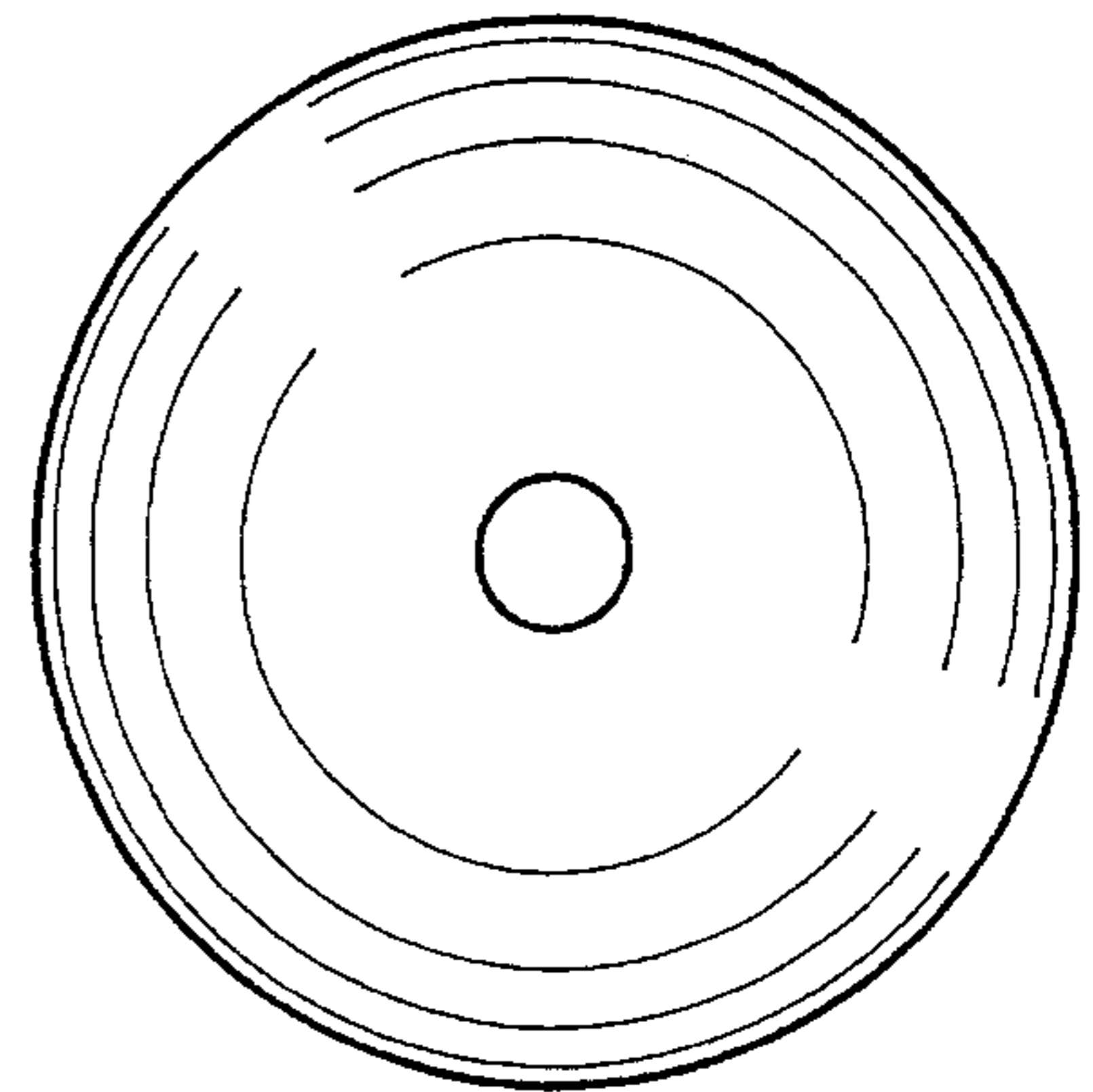


FIG. 4

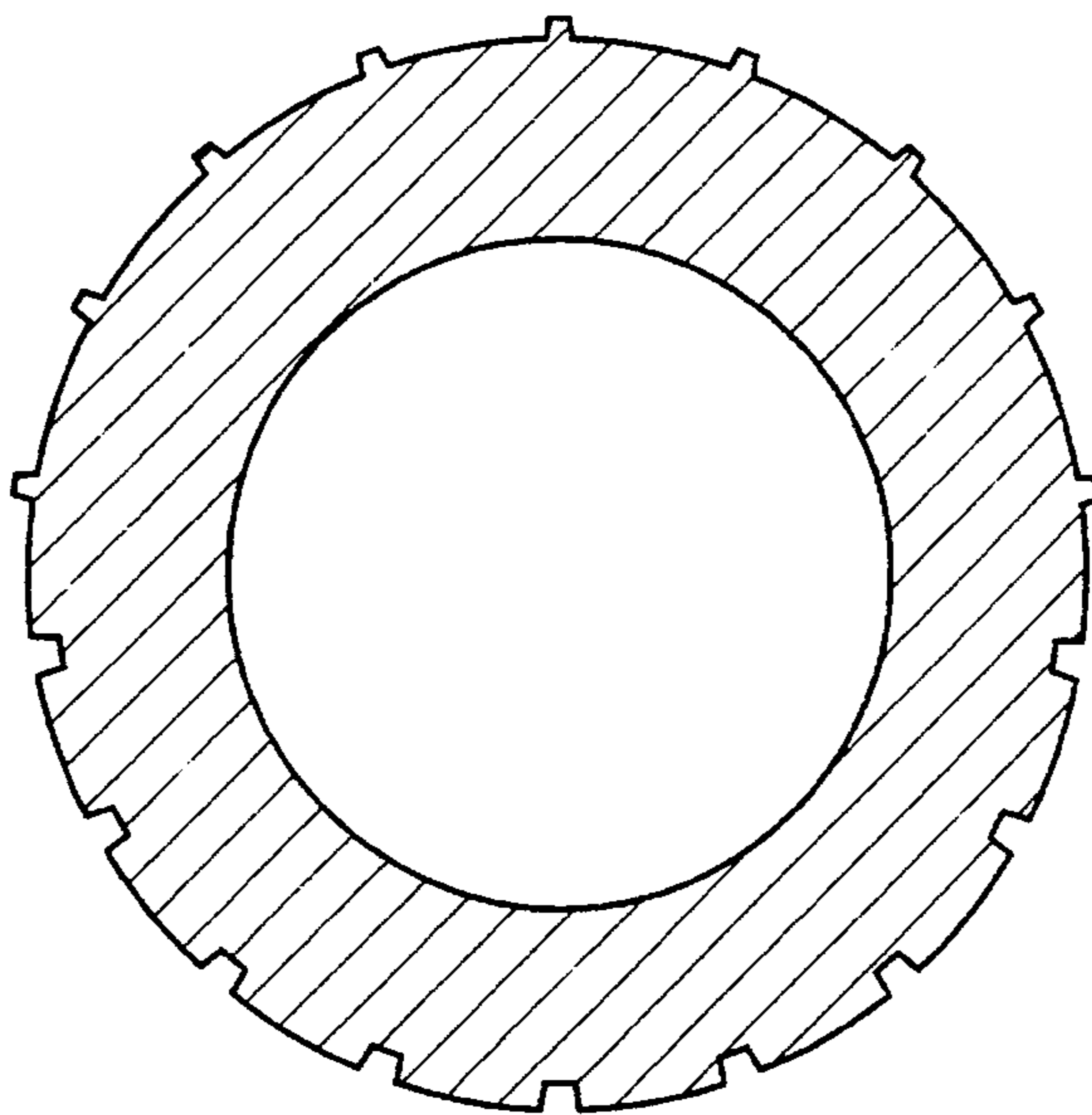


FIG. 5

