



US00D376397S

United States Patent [19]

[11] Patent Number: **Des. 376,397**

Prodan

[45] Date of Patent: ****Dec. 10, 1996**

[54] **EXERCISE DEVICE**

4,834,396	5/1989	Schnell	482/142
5,067,708	11/1991	Olschansky et al.	482/137
5,308,304	5/1994	Habing	482/137

[75] Inventor: **Ruth Prodan**, Calabasas, Calif.

[73] Assignee: **Prodan-Ellis Fitness**, Chicago, Ill.

Primary Examiner—Philip S. Hyder
Attorney, Agent, or Firm—Nixon & Vanderhye, P.C.

[**] Term: **14 Years**

[57] **CLAIM**

[21] Appl. No.: **40,988**

The ornamental design for an exercise device, as shown and described.

[22] Filed: **Jun. 30, 1995**

[52] U.S. Cl. **D21/195**

DESCRIPTION

[58] Field of Search D21/191, 195;
482/99, 100, 137, 133, 142, 135, 102, 103

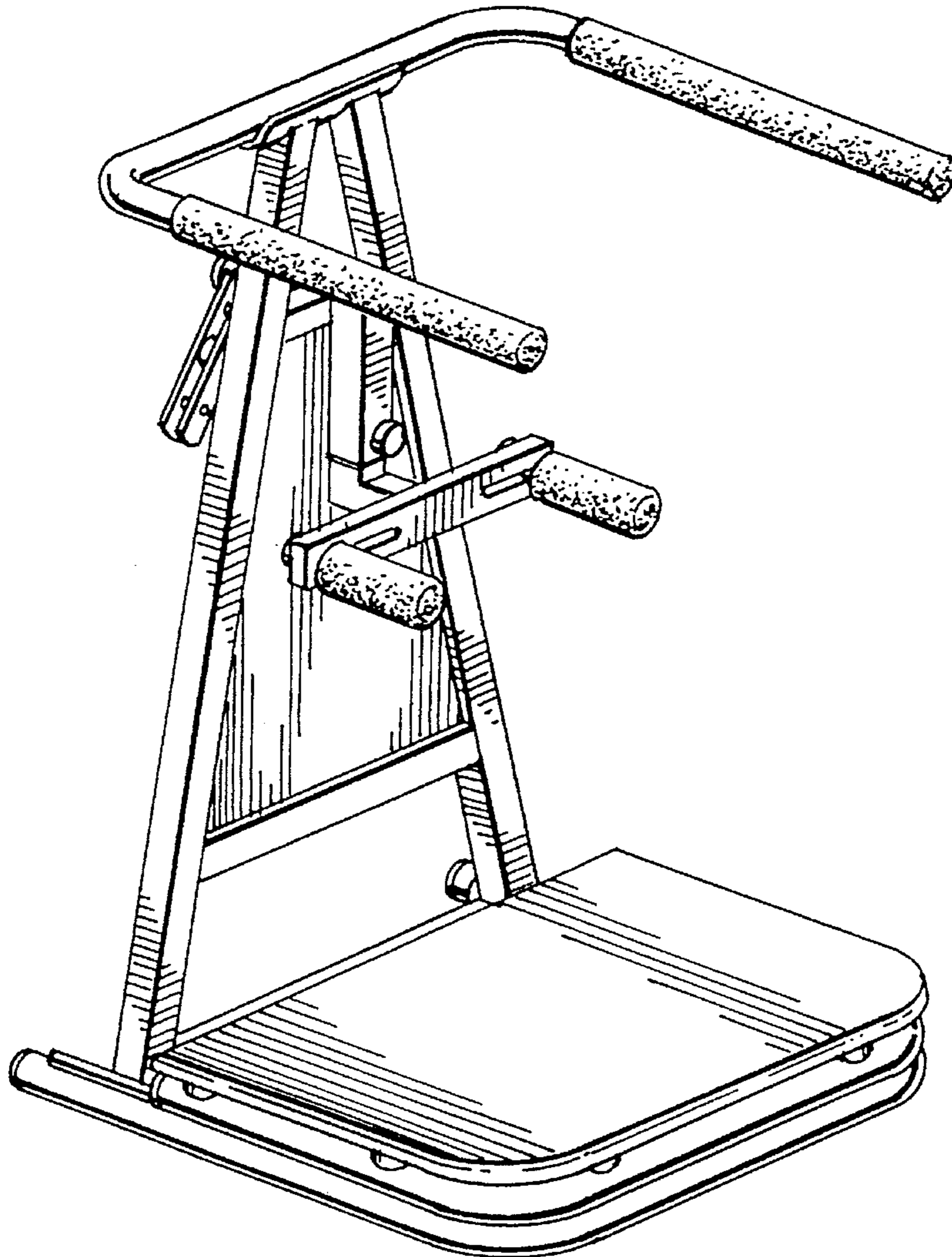
FIG. 1 is a front perspective view of the exercise device;
FIG. 2 is a front view thereof;
FIG. 3 is a rear view thereof;
FIG. 4 is a top view thereof;
FIG. 5 is a bottom view thereof; and,
FIG. 6 is a side view thereof, the opposite side being a mirror image.

[56] **References Cited**

U.S. PATENT DOCUMENTS

D. 304,058	10/1989	Carlson et al.	D21/195
D. 305,787	1/1990	Olschansky et al.	D21/198
D. 337,800	7/1993	Shieh	D21/195
4,600,189	7/1986	Olschansky et al.	482/137
4,627,616	12/1986	Kauffman	482/137

1 Claim, 3 Drawing Sheets



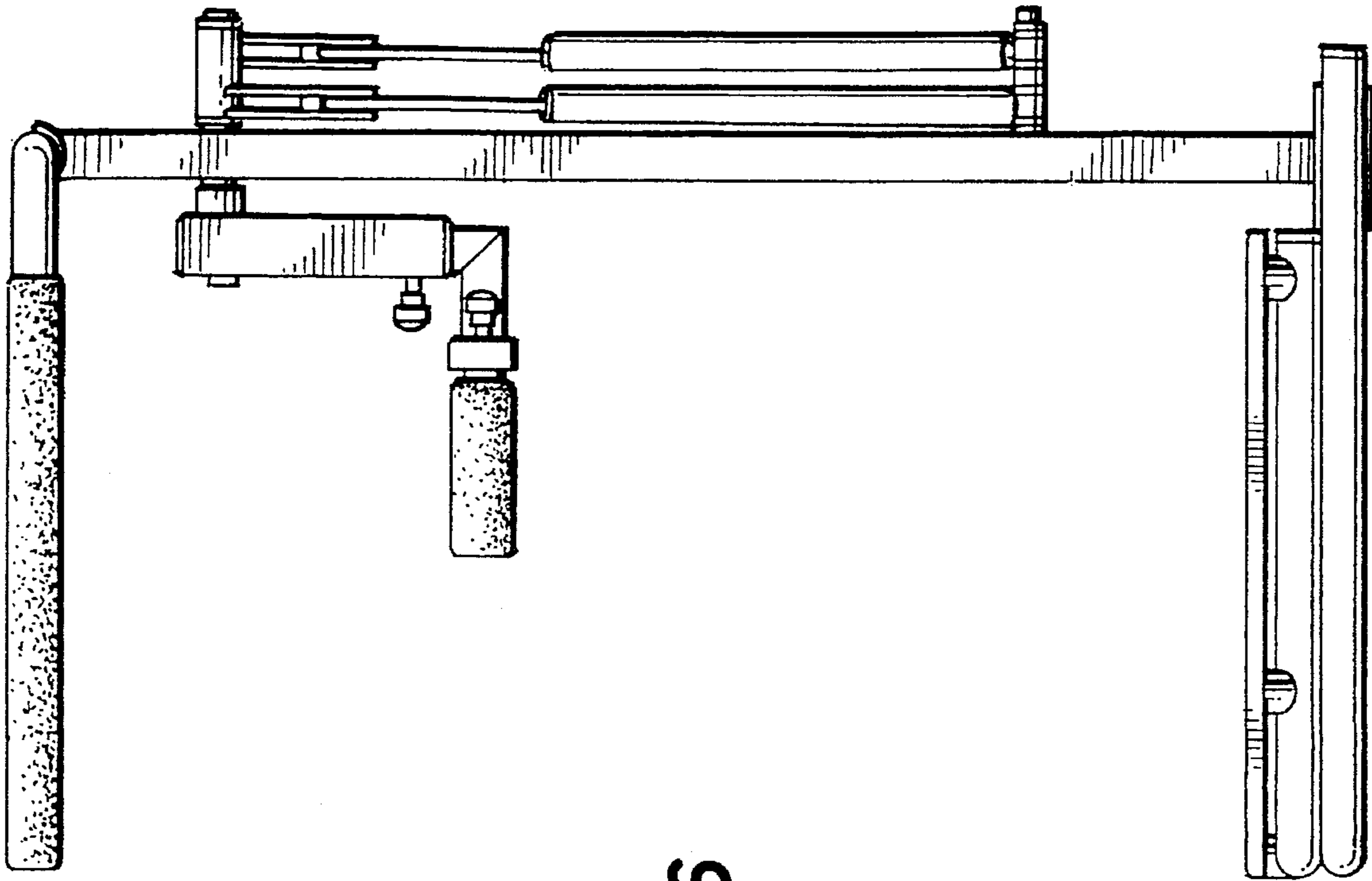


FIG. 6

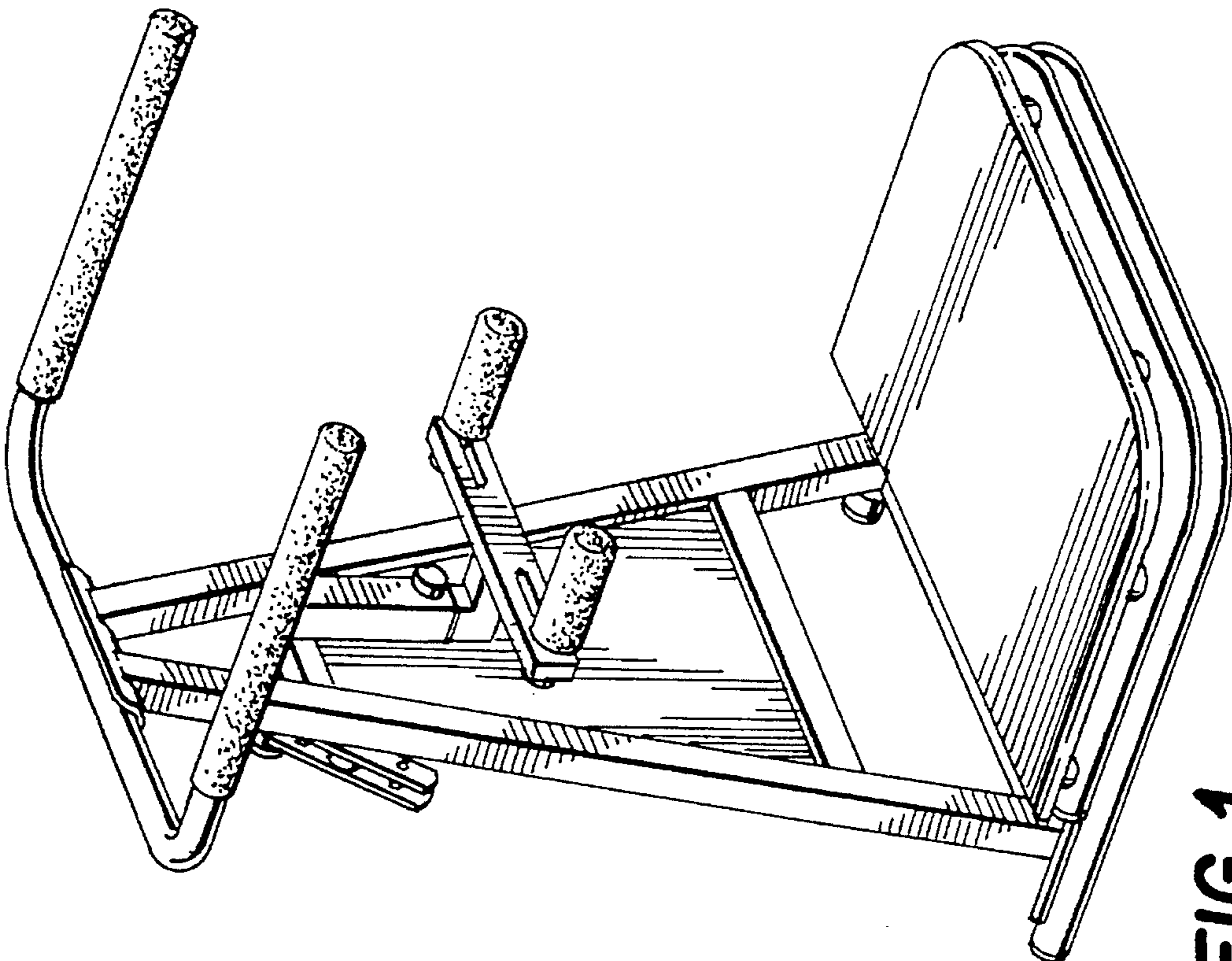


FIG. 1

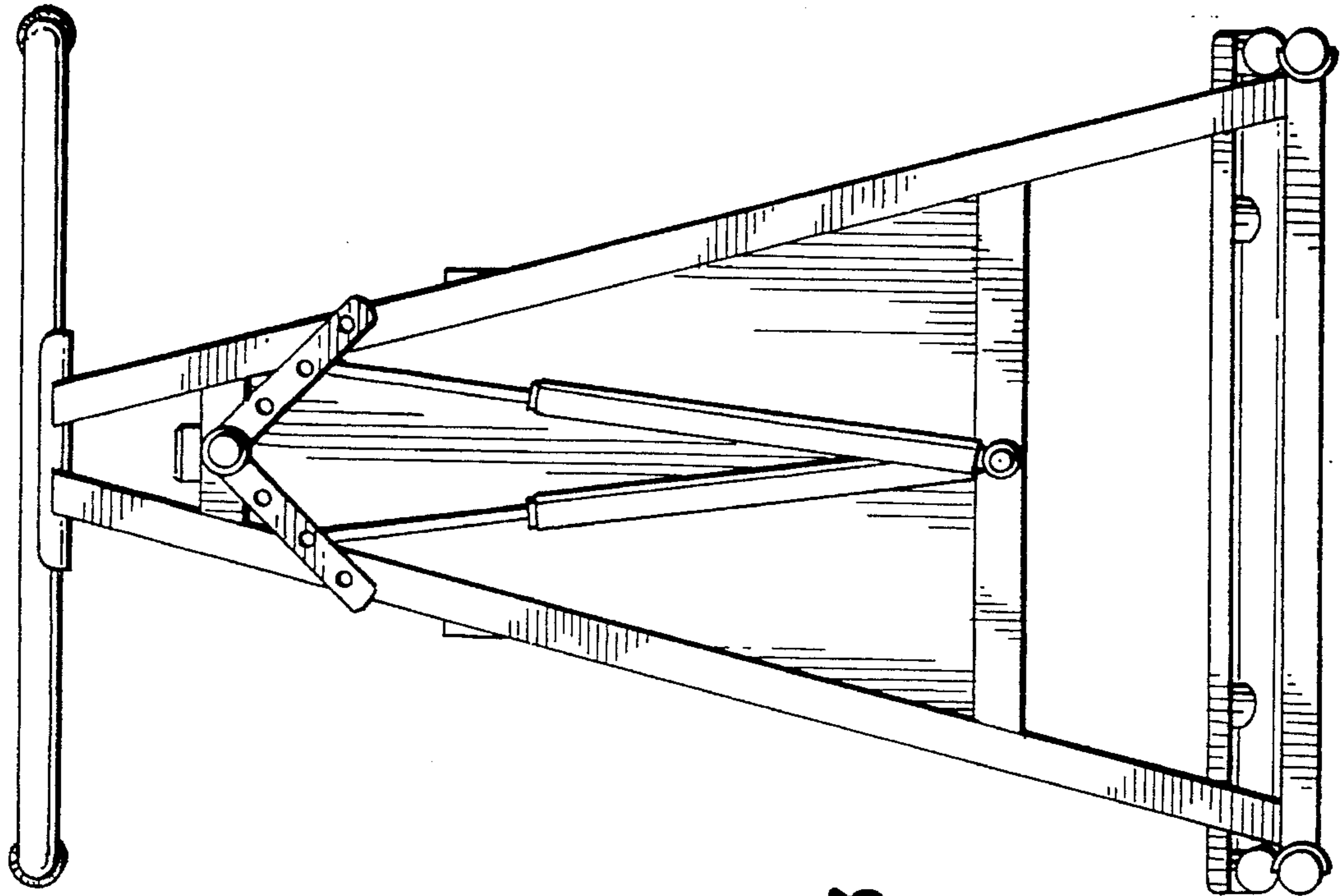


FIG. 3

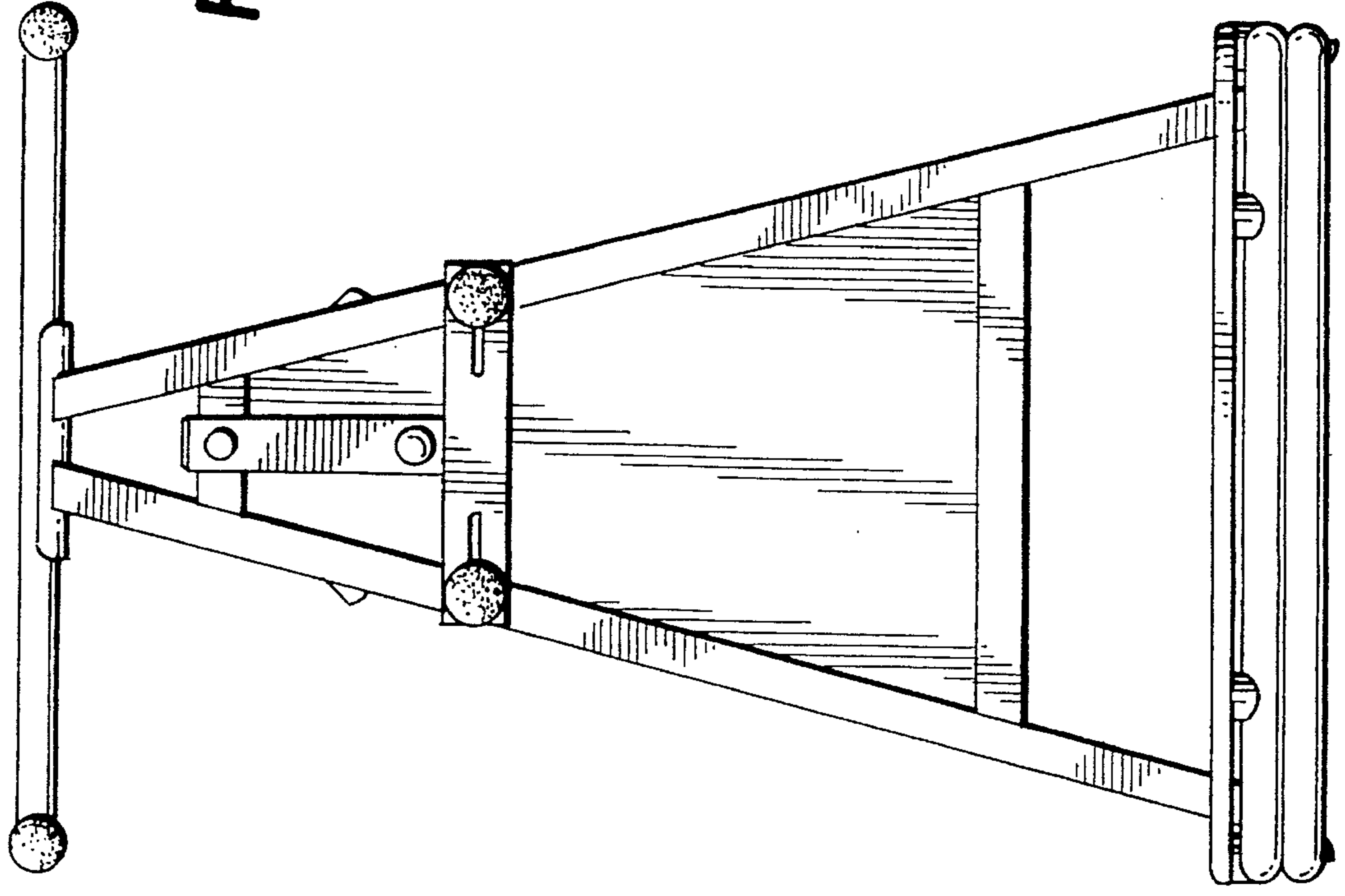


FIG. 2

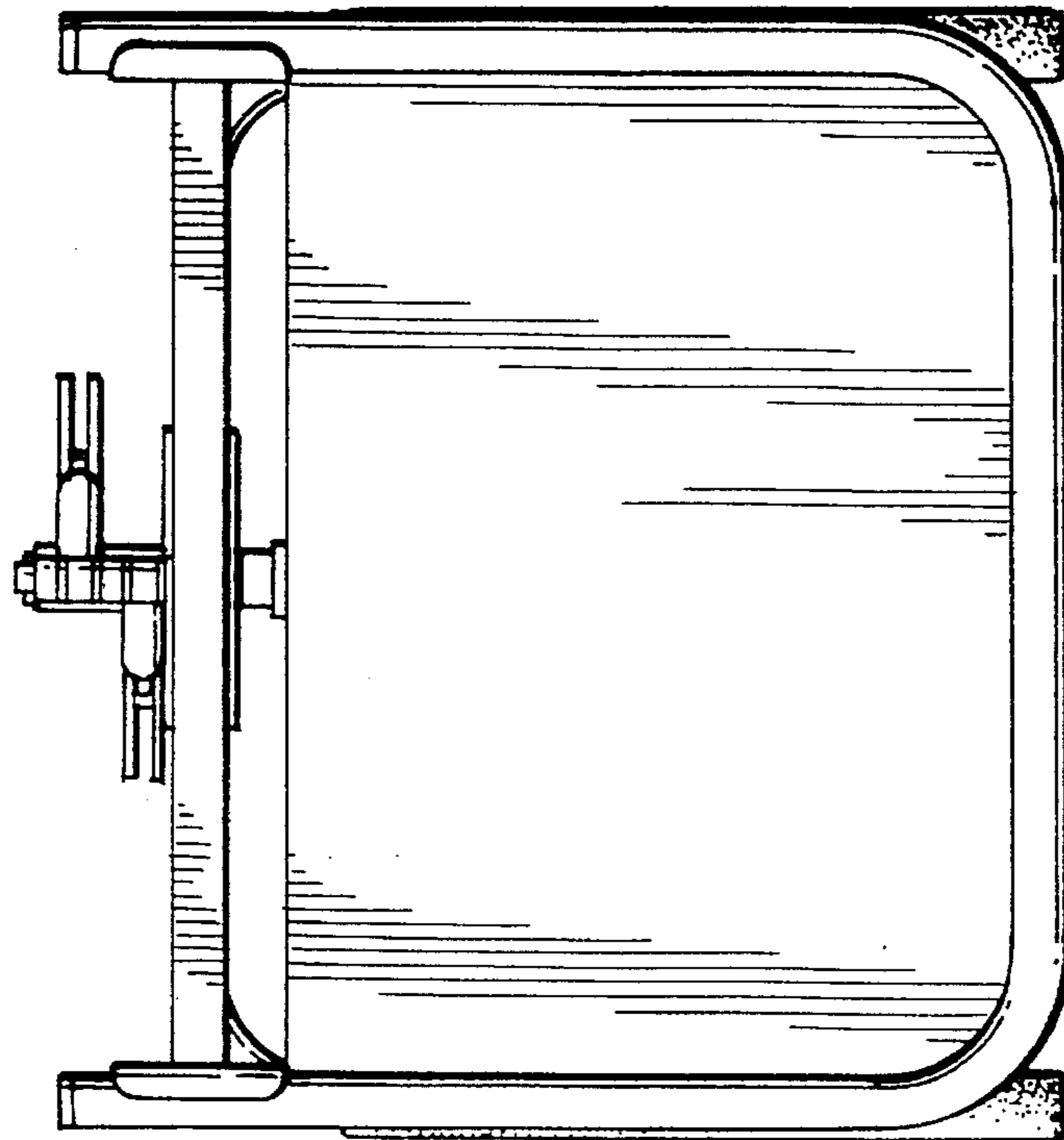


FIG. 5

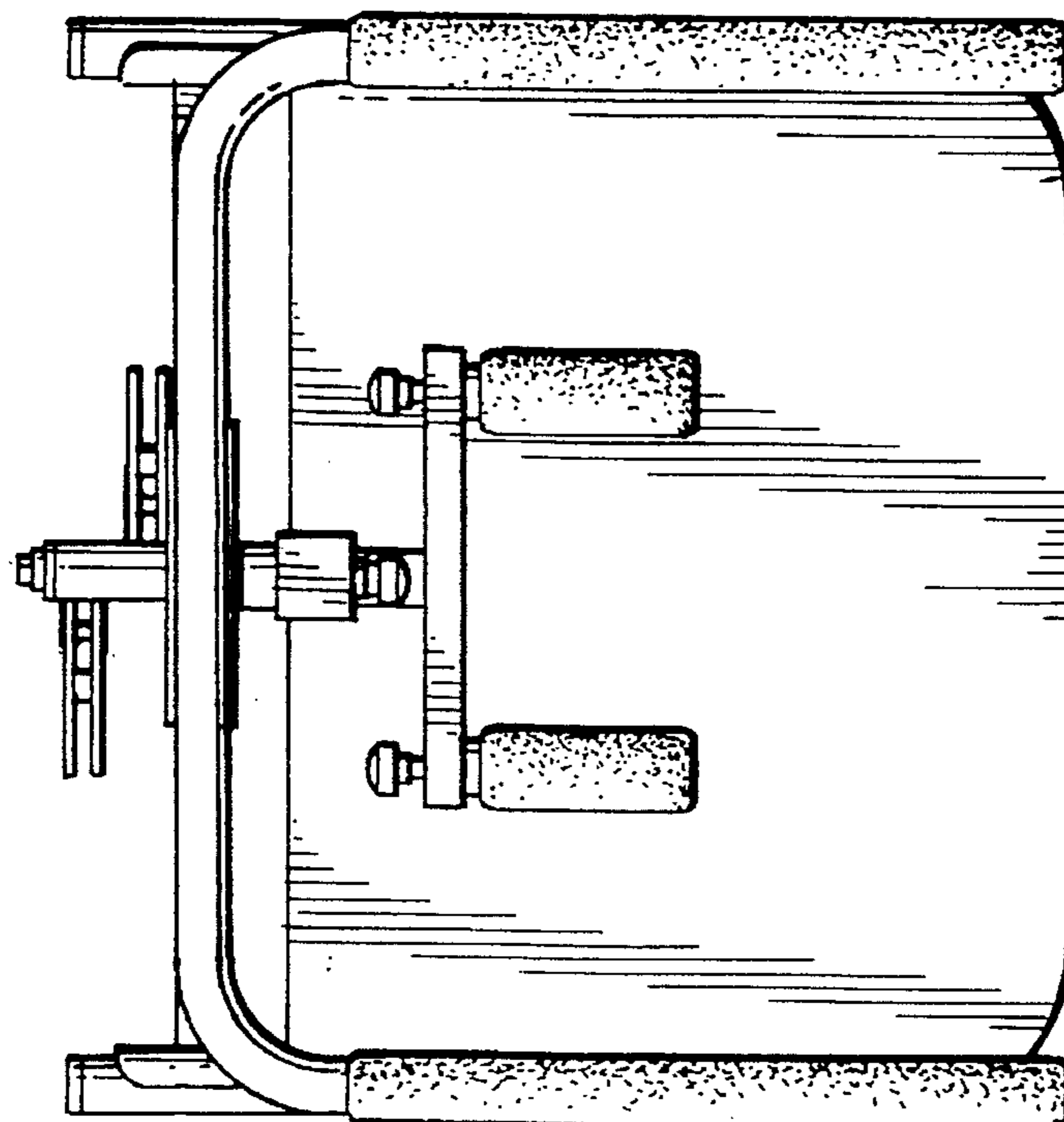


FIG. 4