



US00D376395S

United States Patent [19]

[11] Patent Number: Des. 376,395

Olsen et al.

[45] Date of Patent: **Dec. 10, 1996

[54] TOY BUILDING ELEMENT

[75] Inventors: **Flemming H. Olsen**, Esbjerg; **Per Brømsø**, Copenhagen, both of Denmark

[73] Assignee: **INTERLEGO AG**, Baar, Switzerland

[**] Term: **14 Years**

[21] Appl. No.: **43,918**

[22] Filed: **Sep. 14, 1995**

[52] U.S. Cl. **D21/108**

[58] Field of Search D21/108, 109, D21/124, 125, 141; 446/103, 110, 115, 120, 124, 125, 126, 128, 479, 481

[56] **References Cited**

U.S. PATENT DOCUMENTS

D. 333,850	3/1993	Olsen	D21/108
D. 333,852	3/1993	Olsen	D21/108
D. 335,159	4/1993	Olsen	D21/108
5,427,558	6/1995	Knudsen	446/128

Primary Examiner—Terry A. Wallace

Assistant Examiner—R. Barkai

Attorney, Agent, or Firm—Kane, Dalsimer, Sullivan, Kurucz, Levy, Eisele and Richard, LLP

[57] **CLAIM**

The ornamental design for a toy building element, as shown and described.

DESCRIPTION

FIG. 1 is a top perspective view of the toy building element showing our new design;

FIG. 2 is a bottom perspective view thereof;

FIG. 3 is a right side elevational view thereof;

FIG. 4 is a front elevational view thereof;

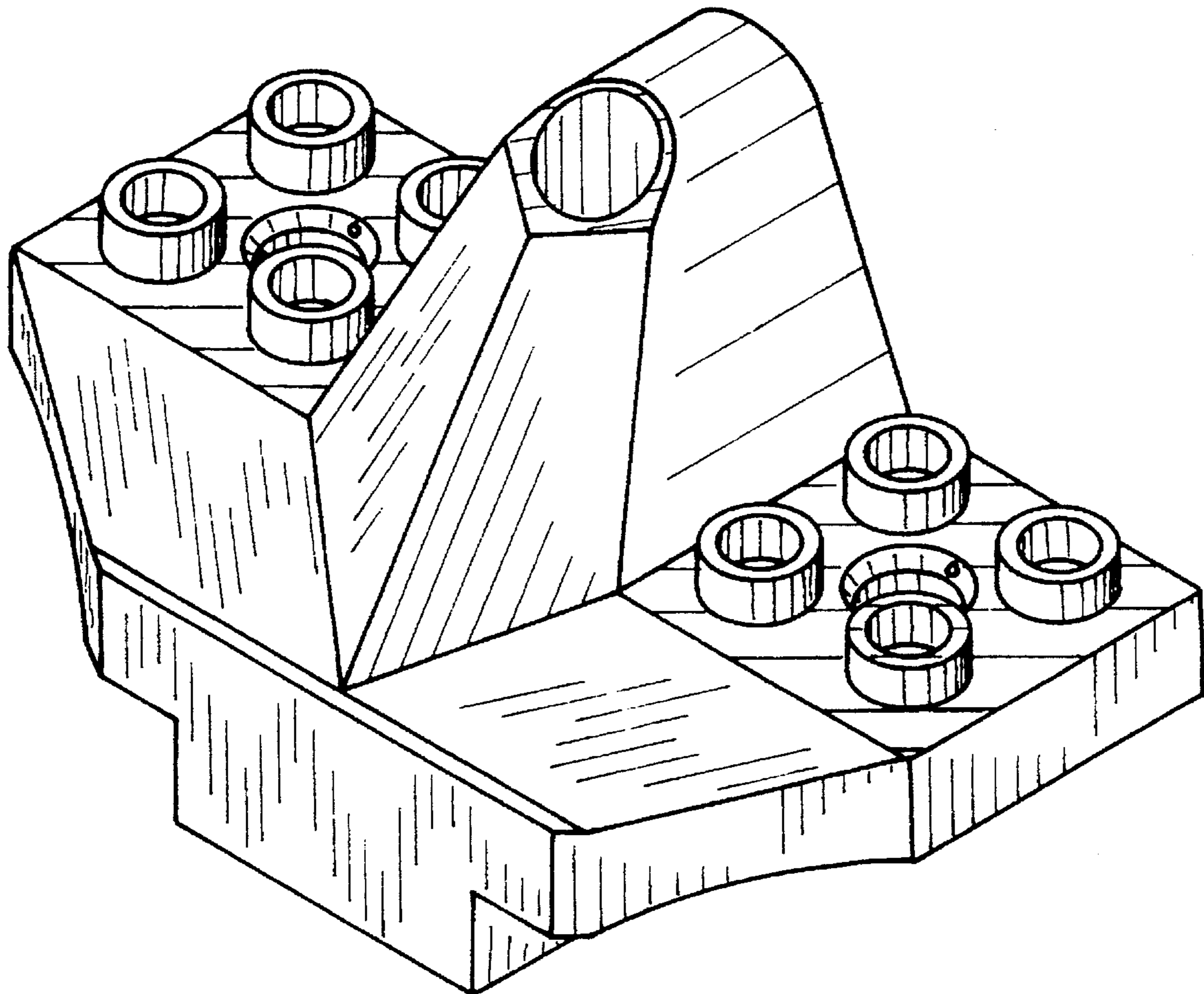
FIG. 5 is a left side elevational view thereof;

FIG. 6 is a rear elevational view thereof;

FIG. 7 is a bottom plan view thereof; and,

FIG. 8 is a top plan view thereof.

1 Claim, 3 Drawing Sheets



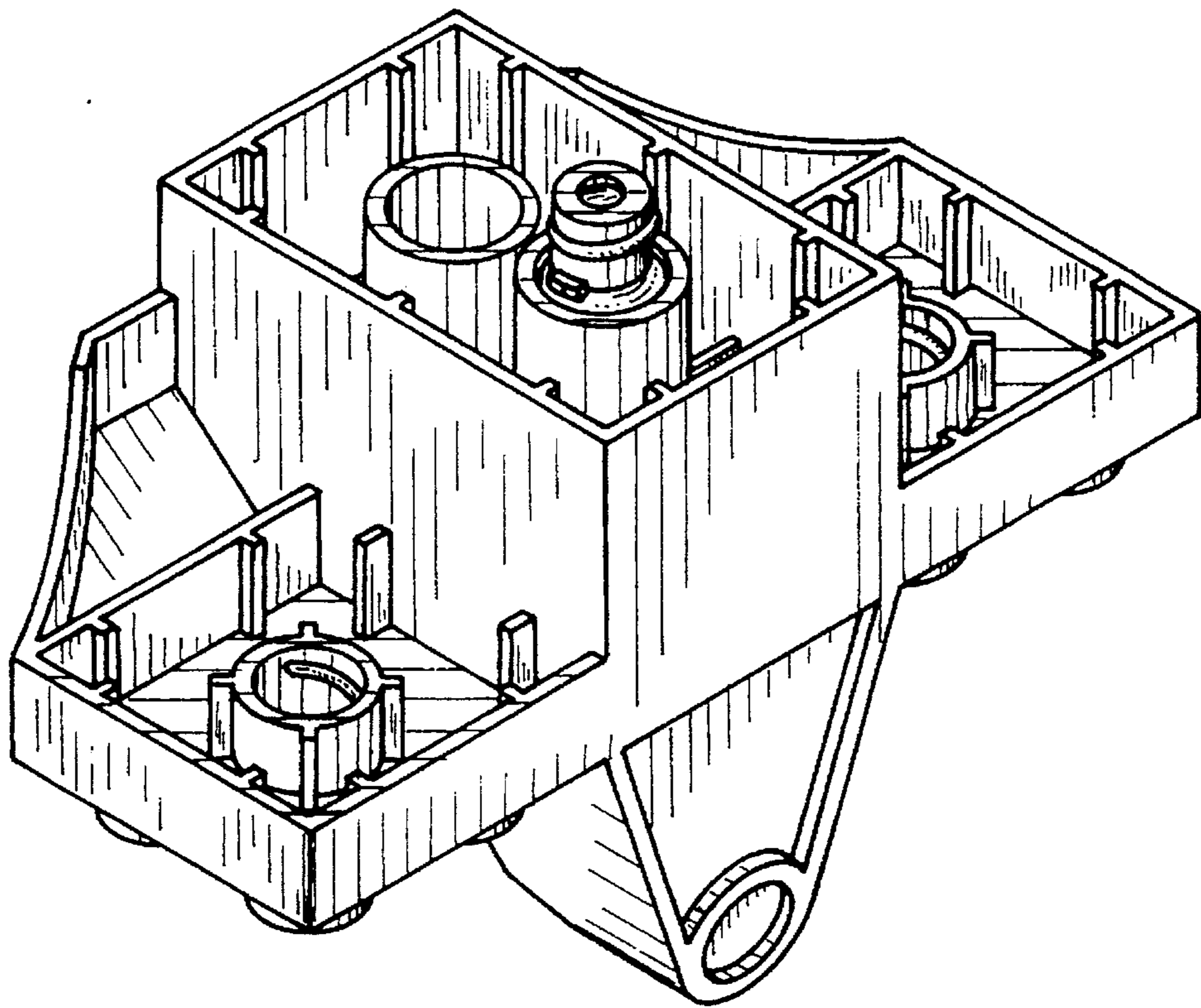


FIG. 2

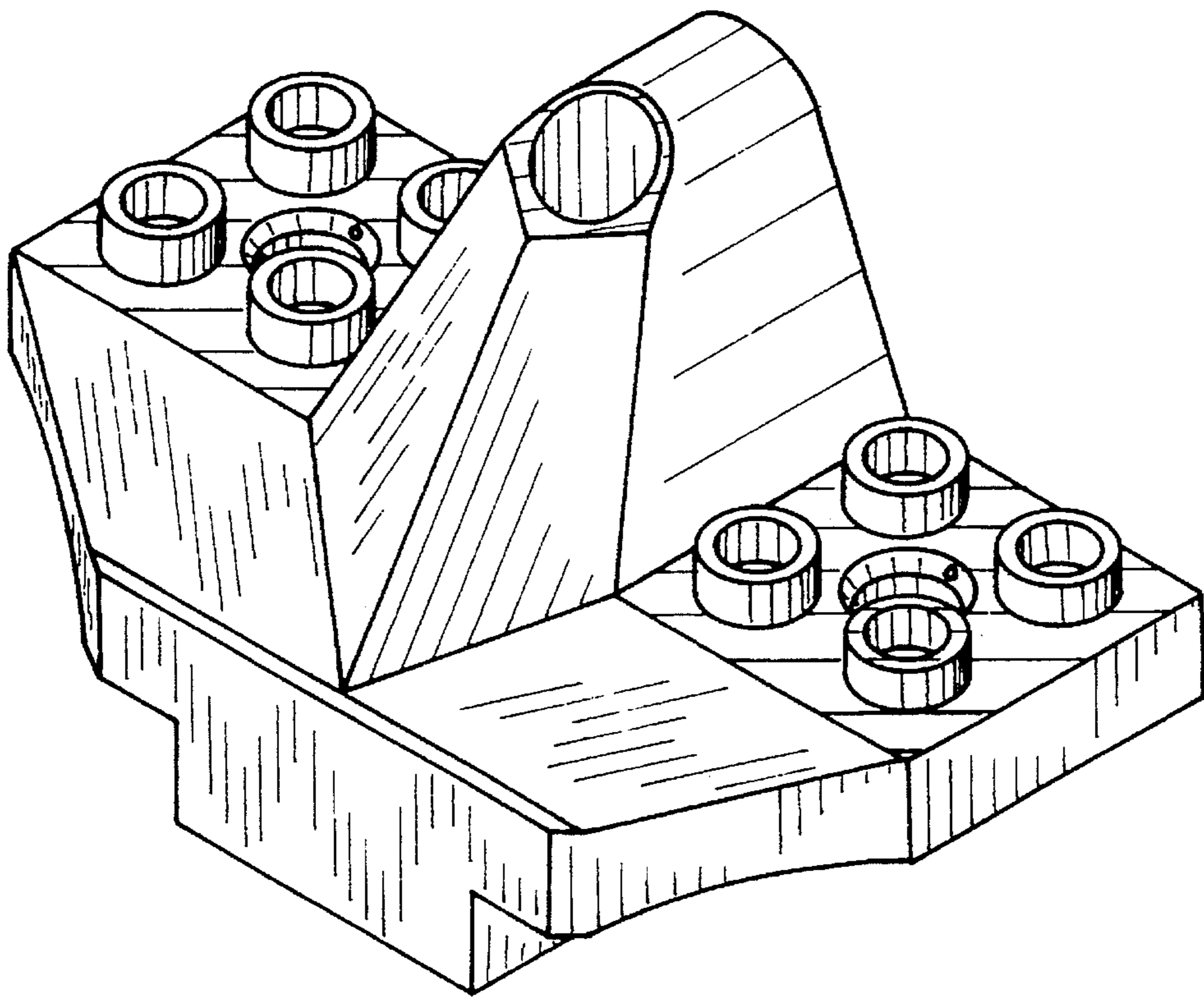


FIG. 1

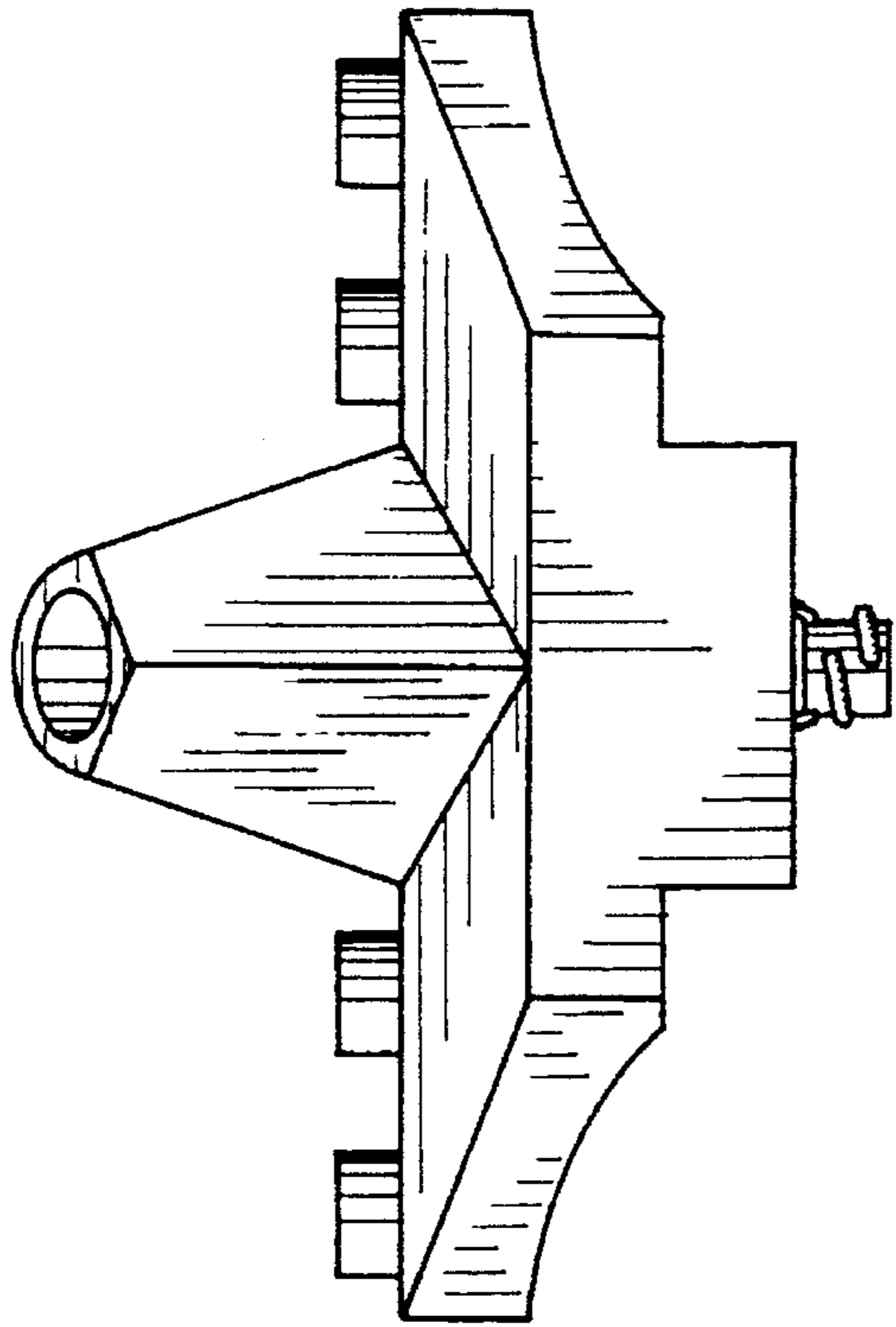


FIG. 4

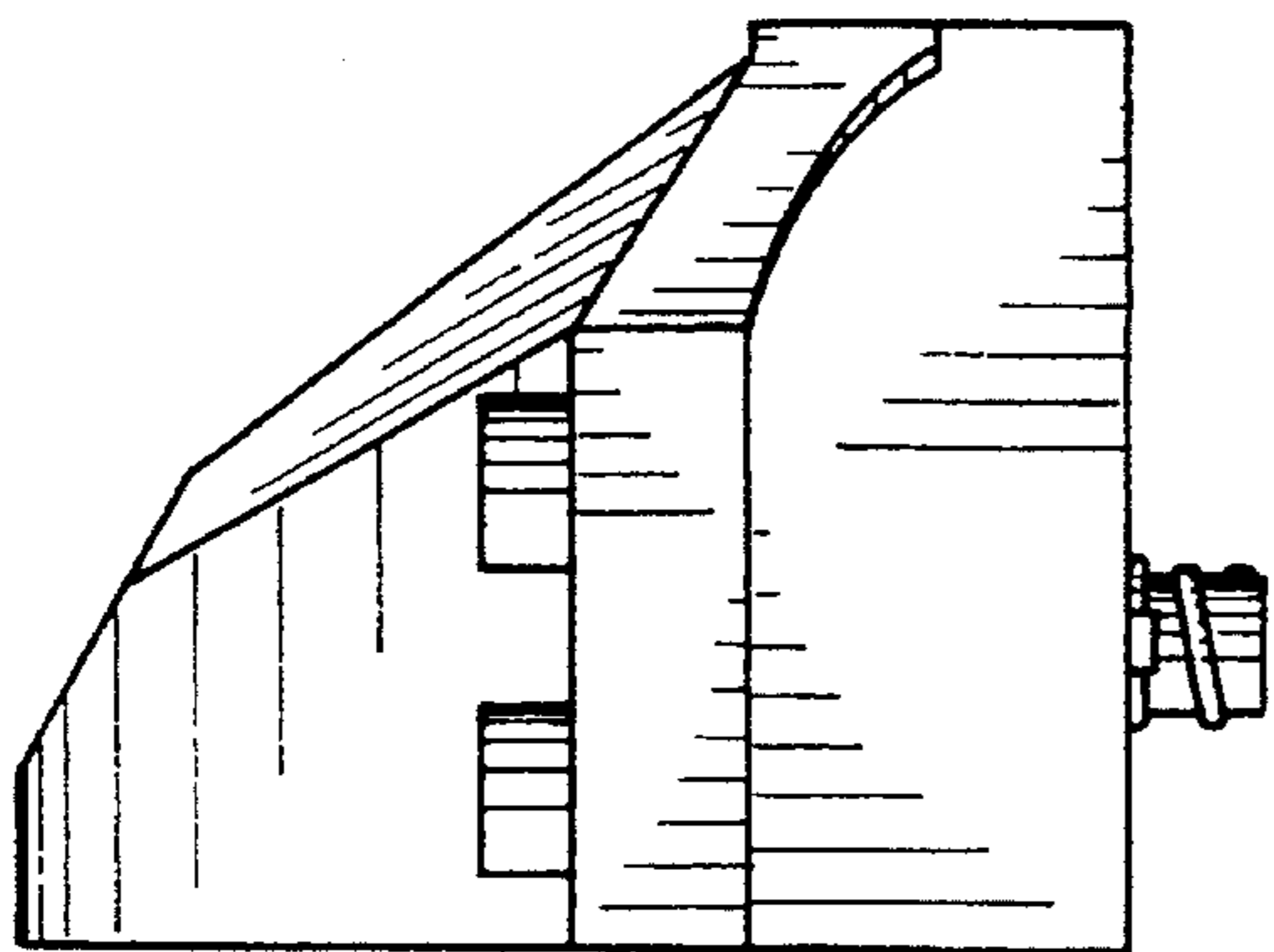


FIG. 3

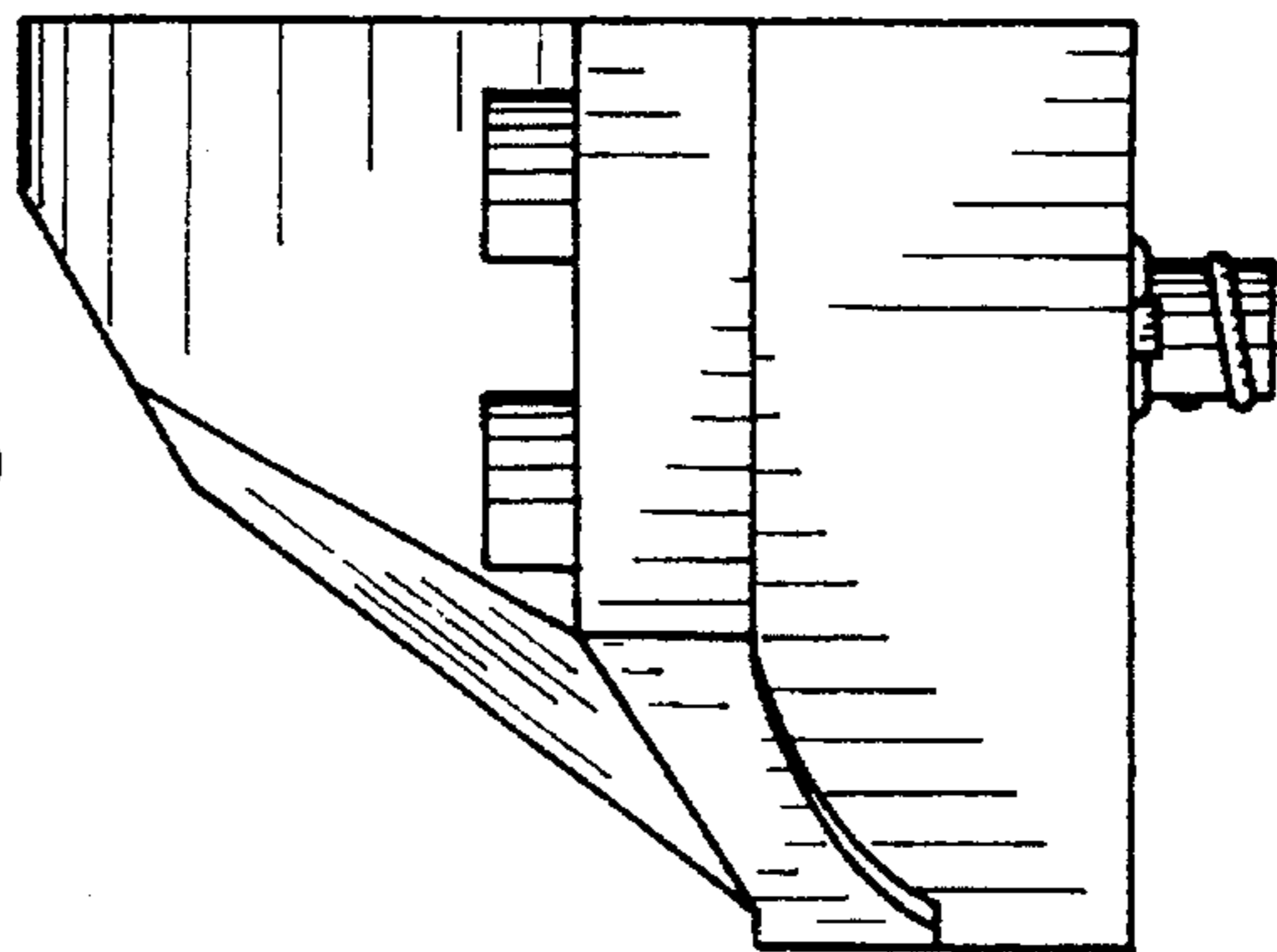


FIG. 5

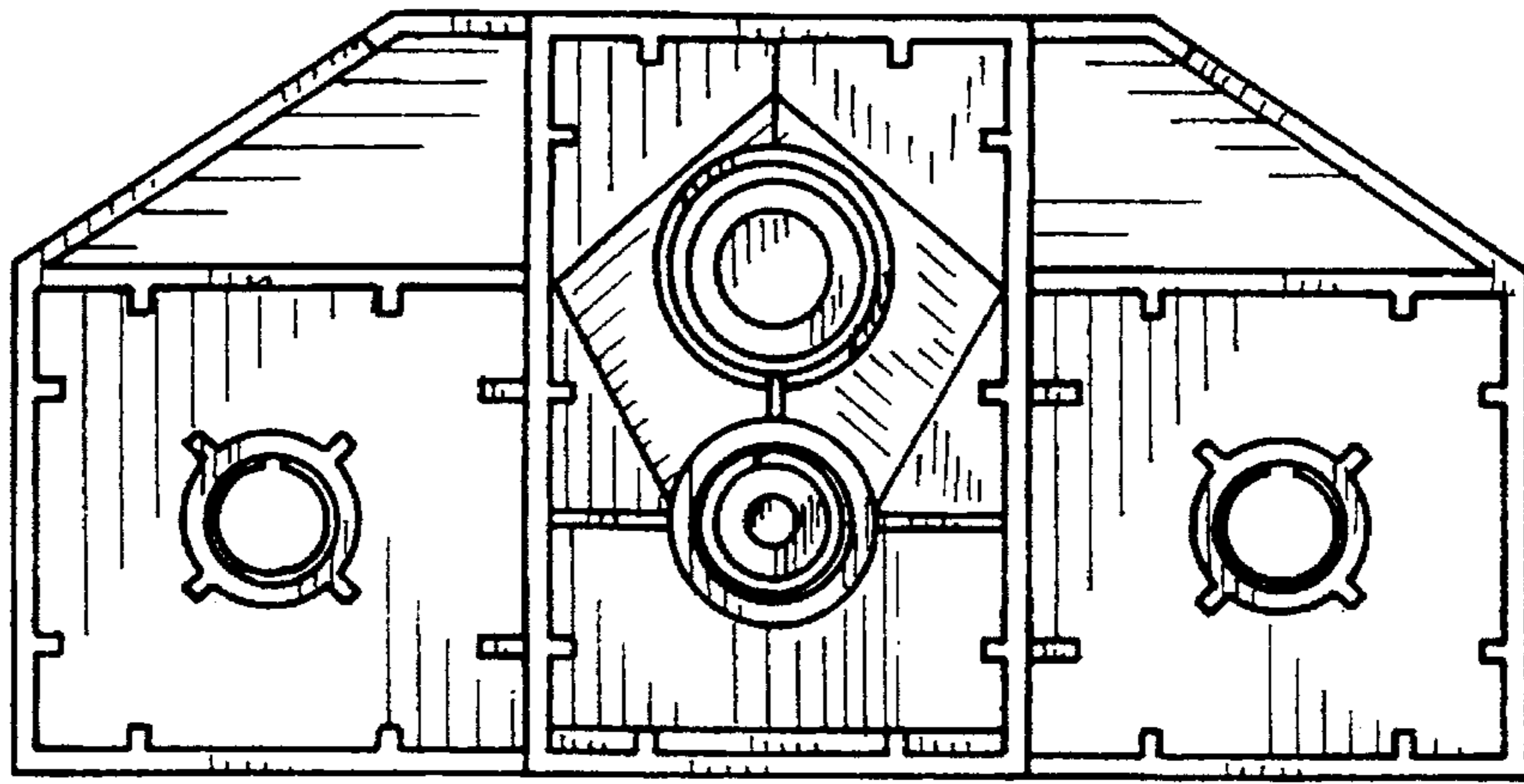


FIG. 7

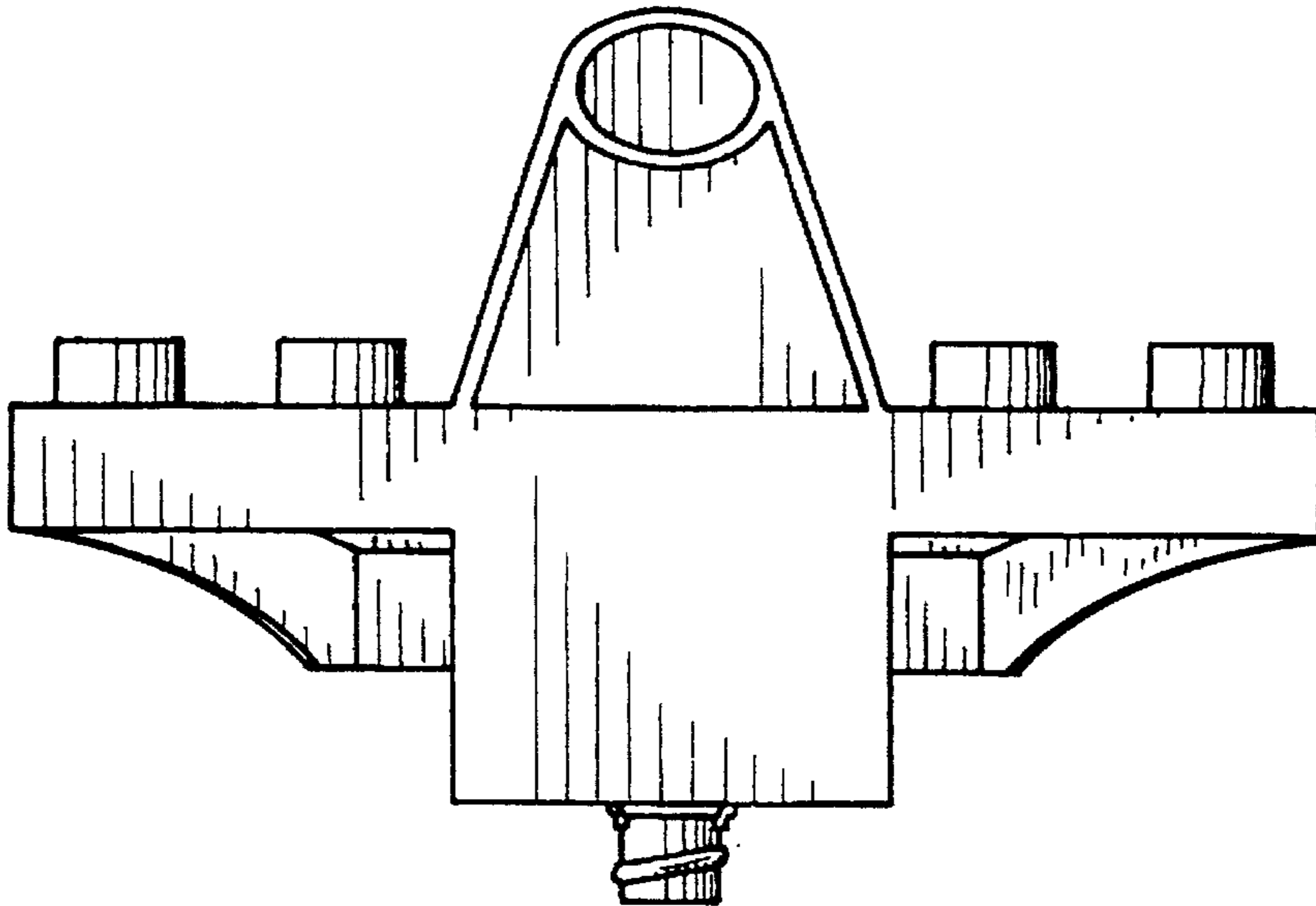


FIG. 6

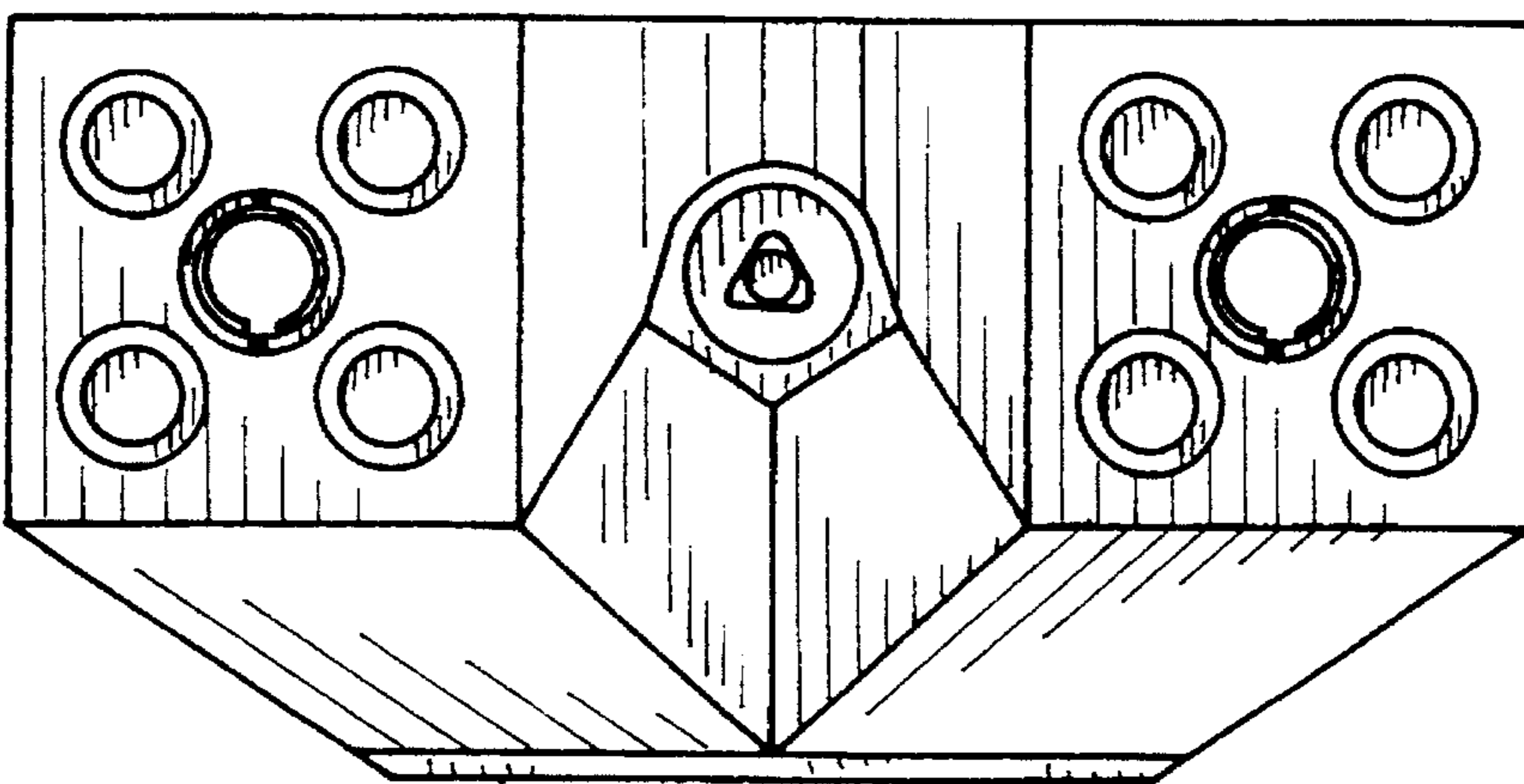


FIG. 8