



US00D376393S

United States Patent [19]

Stroud et al.

[11] Patent Number: **Des. 376,393**

[45] Date of Patent: ****Dec. 10, 1996**

[54] **TRAIN ACTIVITY CENTER**

[75] Inventors: **David J. Stroud**, Dayton; **Tracy C. Roan**, Springfield; **Ilango Sankaralingam**, Tipp City, all of Ohio

[73] Assignee: **Lisco, Inc.**, Tampa, Fla.

[**] Term: **14 Years**

[21] Appl. No.: **46,357**

[22] Filed: **Nov. 13, 1995**

[52] U.S. Cl. **D21/59**

[58] Field of Search **D21/59, 142; 446/227**

[56] **References Cited**

U.S. PATENT DOCUMENTS

- D. 236,141 7/1975 Snyder D21/59 X
- D. 280,650 9/1985 Tateyana D21/59 X
- D. 302,187 7/1989 Kato D21/59

- D. 349,310 8/1994 Sundberg D21/59
- D. 353,164 12/1994 Meei-Lin D21/59
- D. 364,896 12/1995 Wu D21/59
- 5,294,172 3/1994 Dubus 446/227 X

Primary Examiner—Dominic Simone

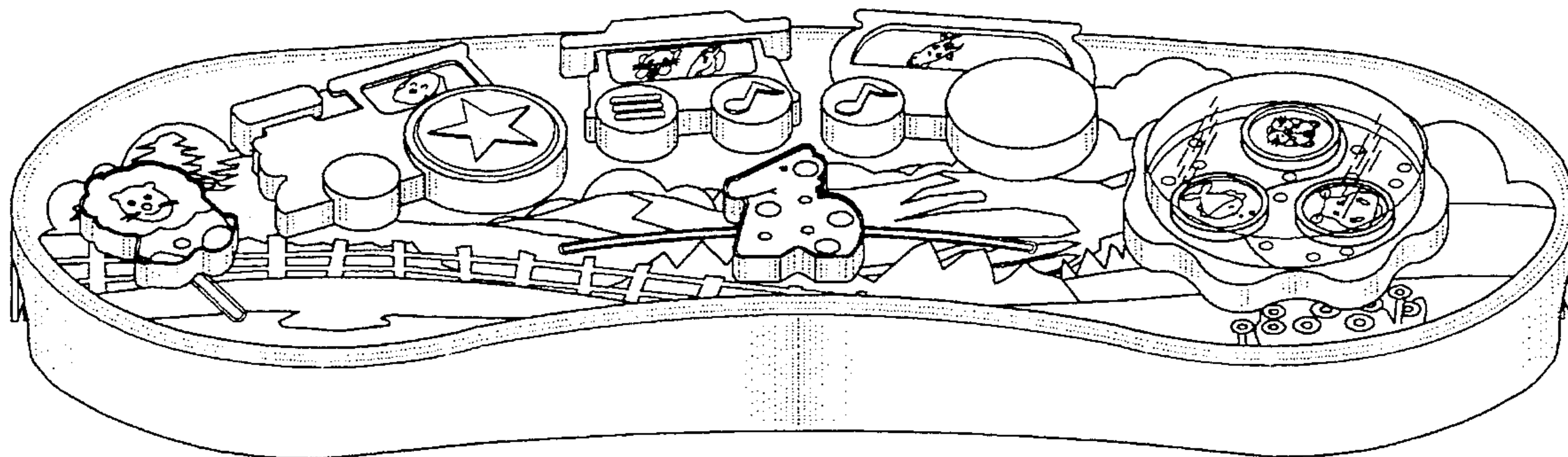
[57] **CLAIM**

The ornamental design of the train activity center, as shown and described.

DESCRIPTION

FIG. 1 is a top plan view of the train activity center showing the design of our invention;
 FIG. 2 is a left side view thereof;
 FIG. 3 is a bottom view thereof;
 FIG. 4 is a right side view thereof;
 FIG. 5 is a rear view thereof; and,
 FIG. 6 is a front view thereof.

1 Claim, 3 Drawing Sheets



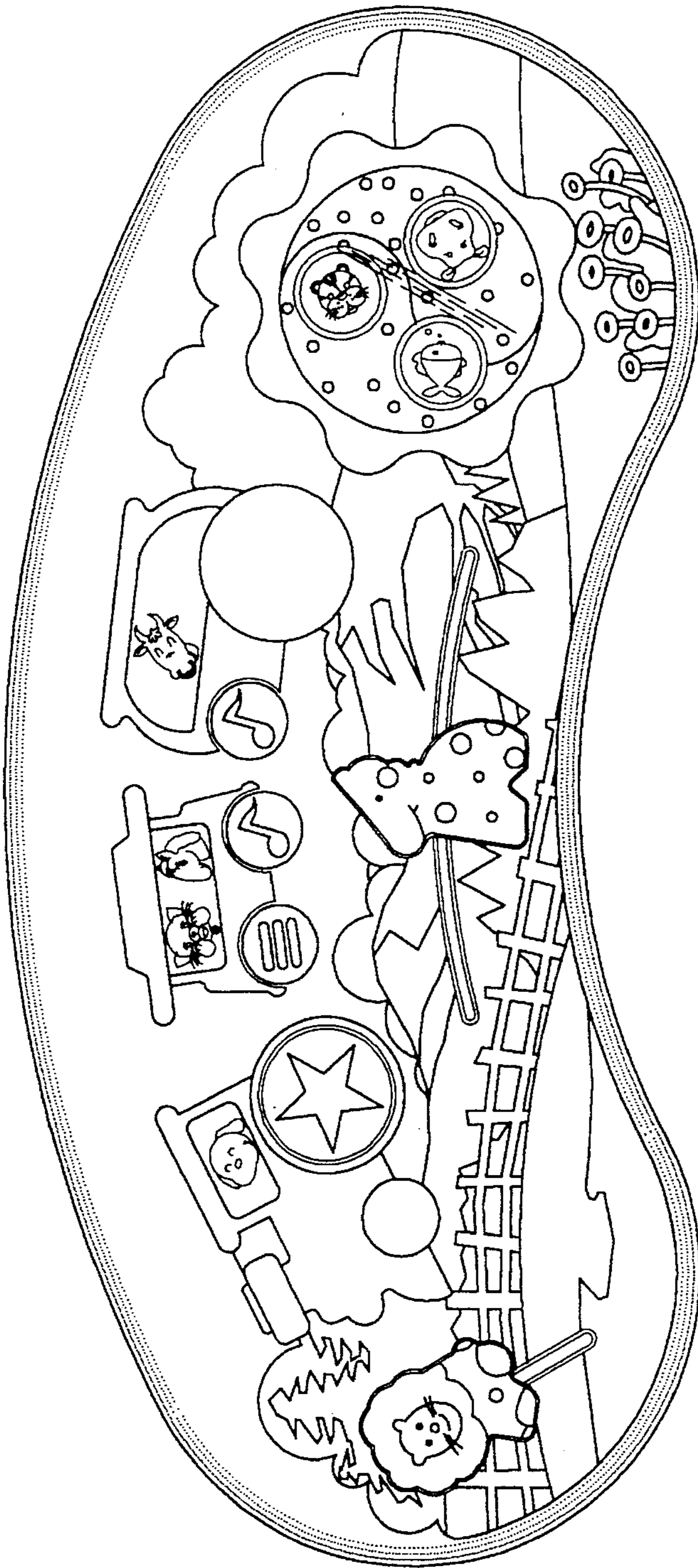


FIG. 1

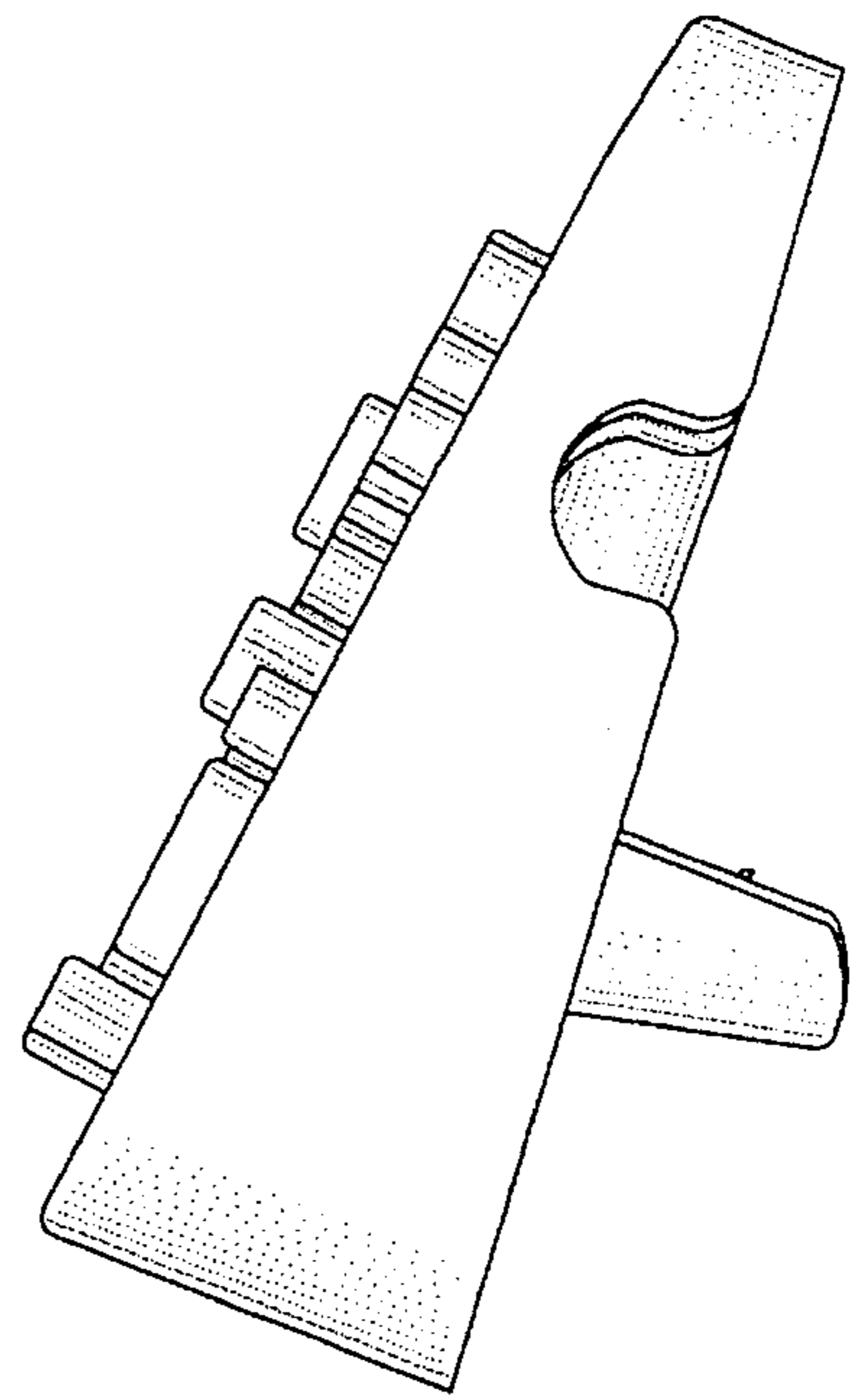


FIG. 2

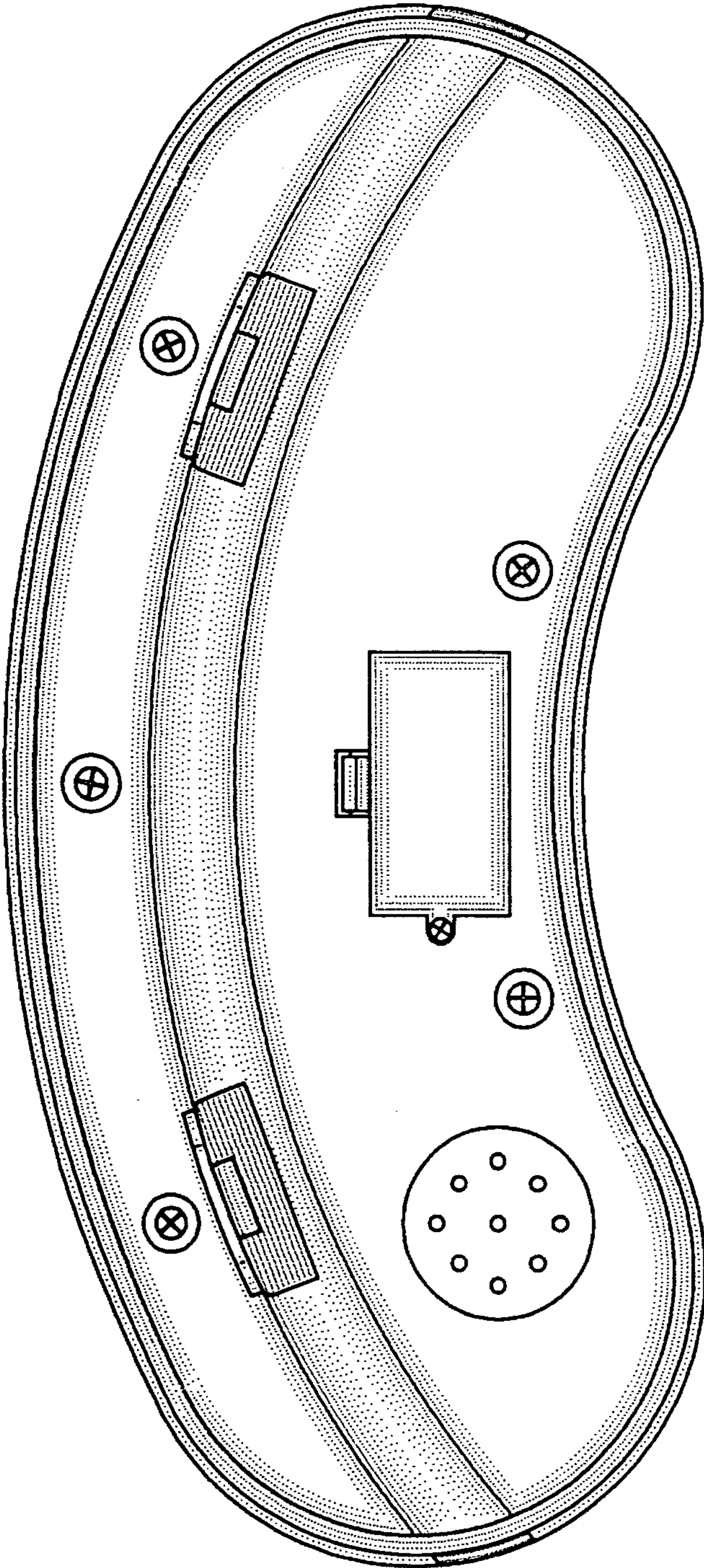


FIG. 3

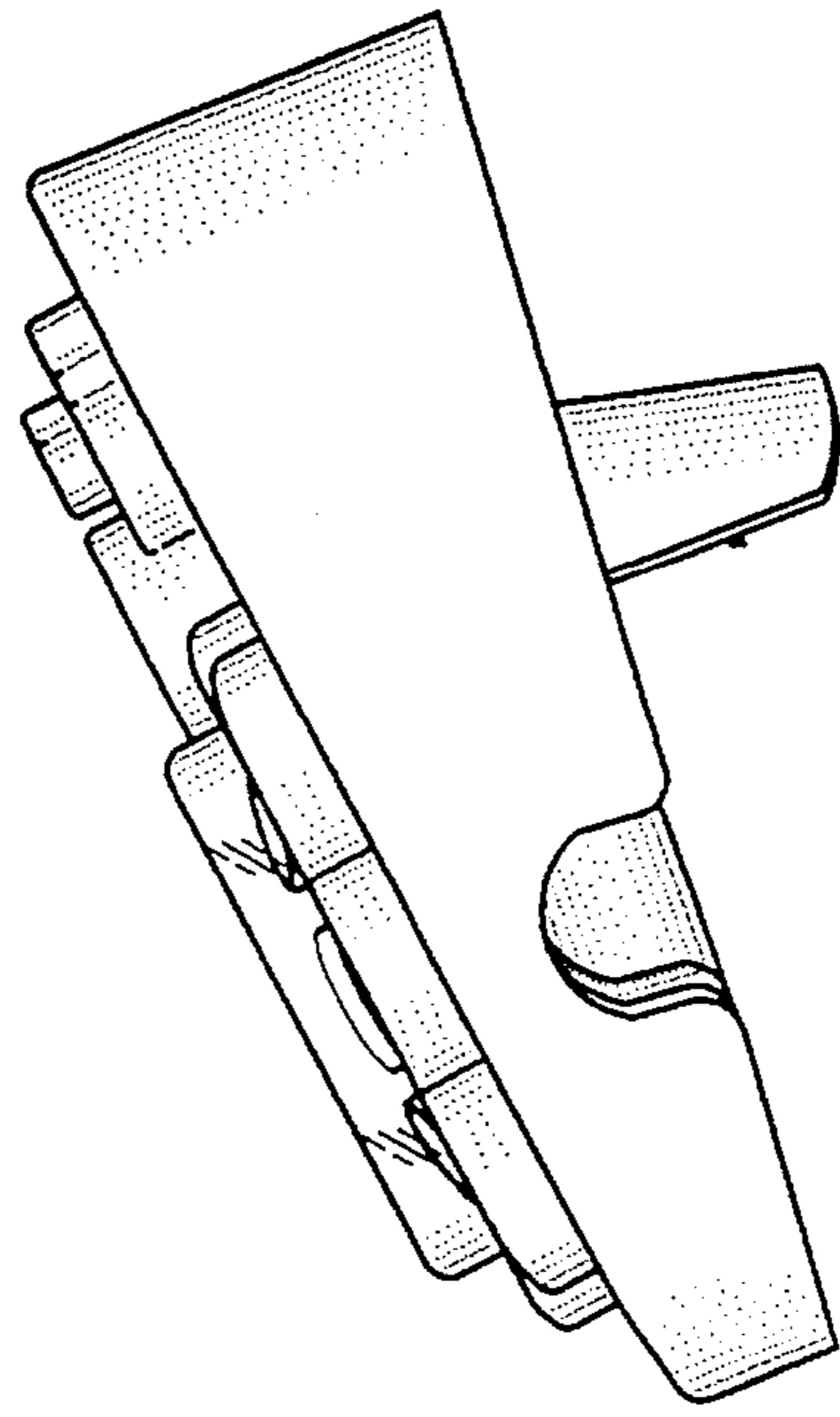


FIG. 4

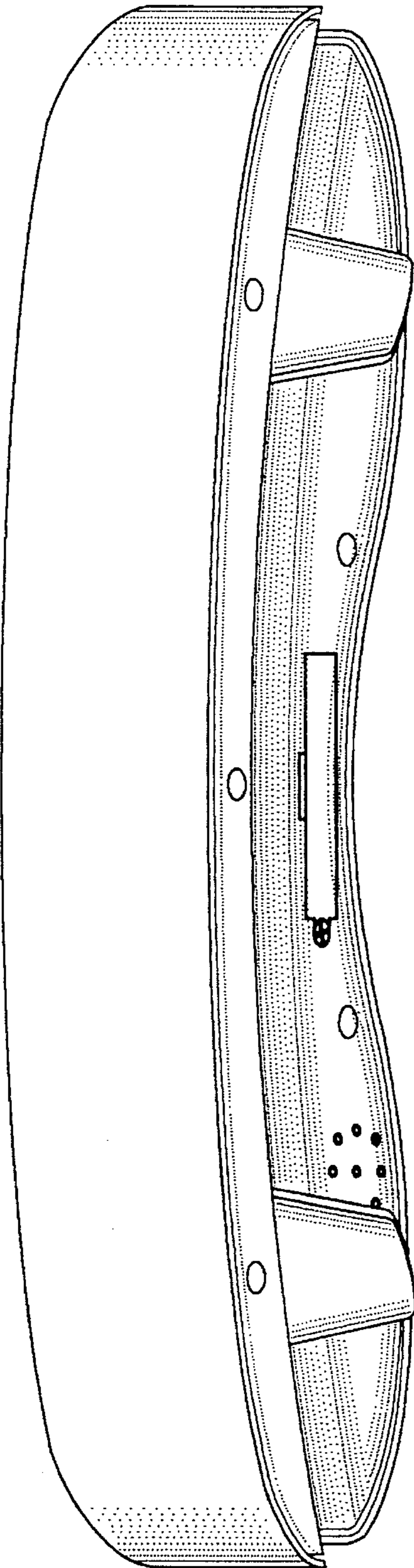


FIG. 5

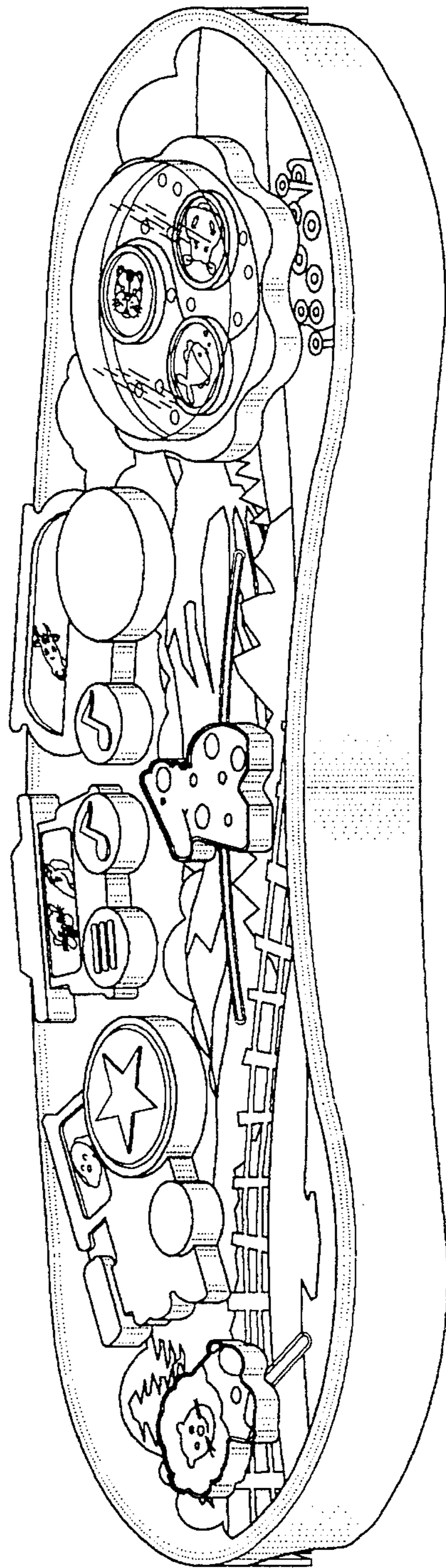


FIG. 6