



US00D376390S

# United States Patent [19]

Tilly

[11] Patent Number: **Des. 376,390**

[45] Date of Patent: **\*\*Dec. 10, 1996**

[54] **TABLE SOCCER GAME**

[75] Inventor: **Richard Tilly**, Saint-Germain-les-Arlay, France

[73] Assignee: **Monneret Jouets**, France

[\*\*] Term: **14 Years**

[21] Appl. No.: **41,136**

[22] Filed: **Jun. 22, 1995**

[30] **Foreign Application Priority Data**

Jan. 5, 1995 [XH] Hague Agreement ..... DM/031 743

[52] U.S. Cl. .... **D21/11**

[58] Field of Search ..... D21/7-11, 14-36, D21/1; 273/85 D, 85 C, 236, 238, 281, 287, 285

[56] **References Cited**

**U.S. PATENT DOCUMENTS**

- D. 227,684 7/1973 Patterson ..... D21/11
- D. 314,985 2/1991 Monneret ..... D21/11
- D. 347,245 5/1994 Cecchetti ..... D21/11
- 3,926,432 12/1975 Furr et al. .... 273/85 D

- 4,025,073 5/1977 Furr et al. .... 273/85 D
- 4,078,797 3/1978 Bergee ..... 273/85 D
- 5,326,102 7/1994 Chang ..... 273/85 D

**FOREIGN PATENT DOCUMENTS**

- 1012694 4/1952 France ..... 273/85 D
- 176073 12/1935 Sweden ..... 273/85 D

*Primary Examiner*—Prabhakar G. Deshmukh  
*Attorney, Agent, or Firm*—Kokjer, Kircher, Bowman & Johnson

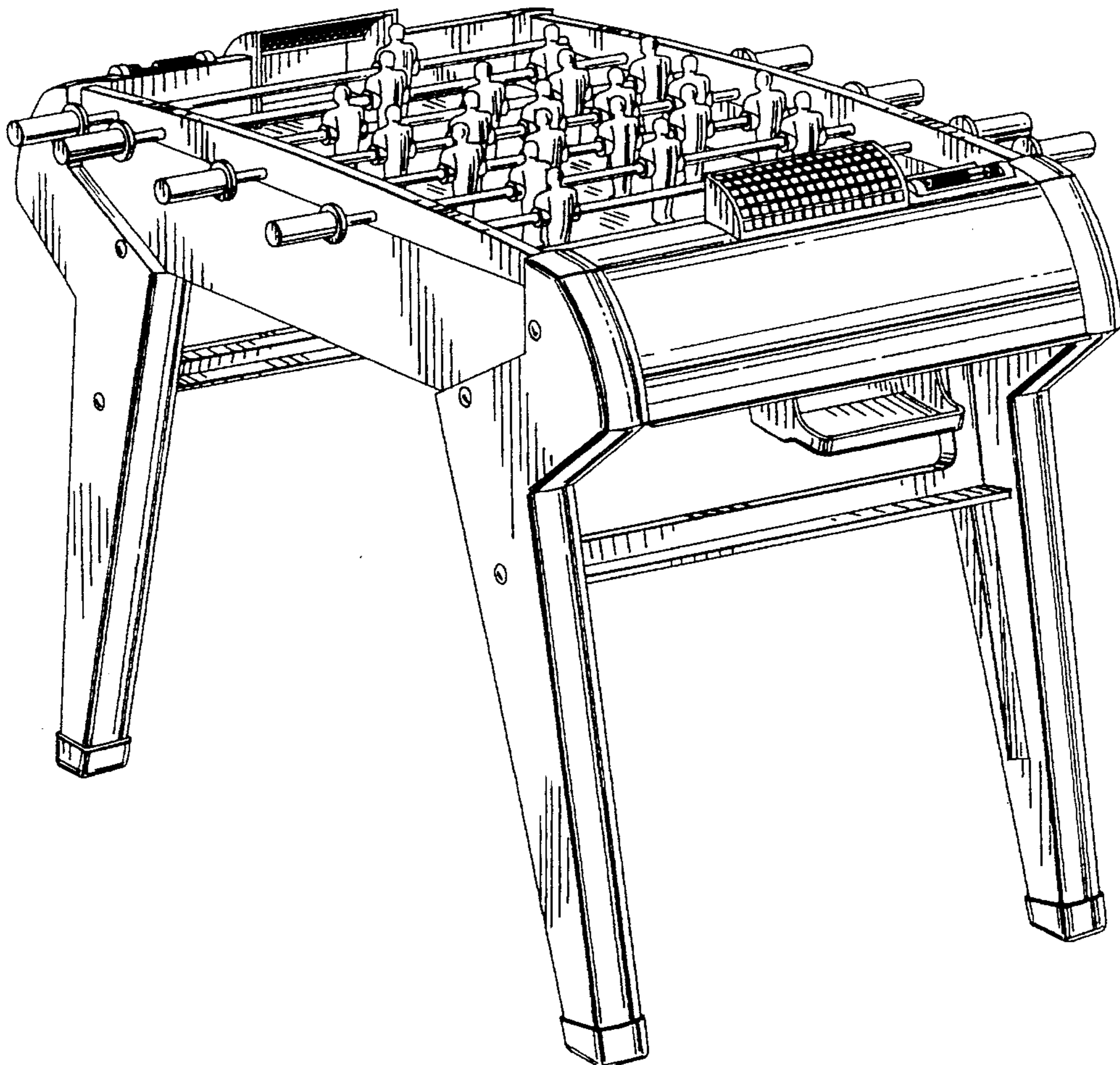
[57] **CLAIM**

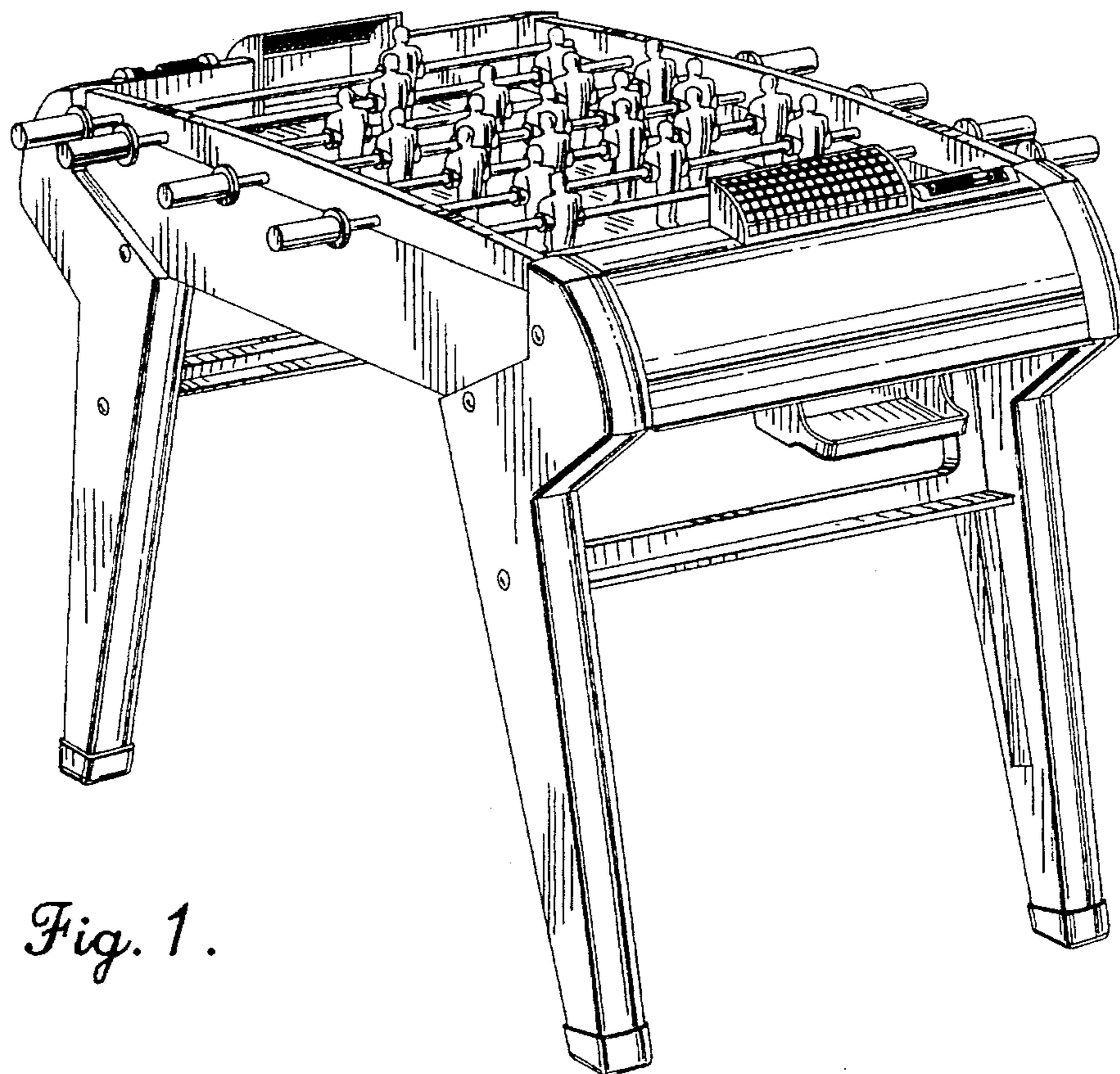
The ornamental design for a table soccer game, as shown and described.

**DESCRIPTION**

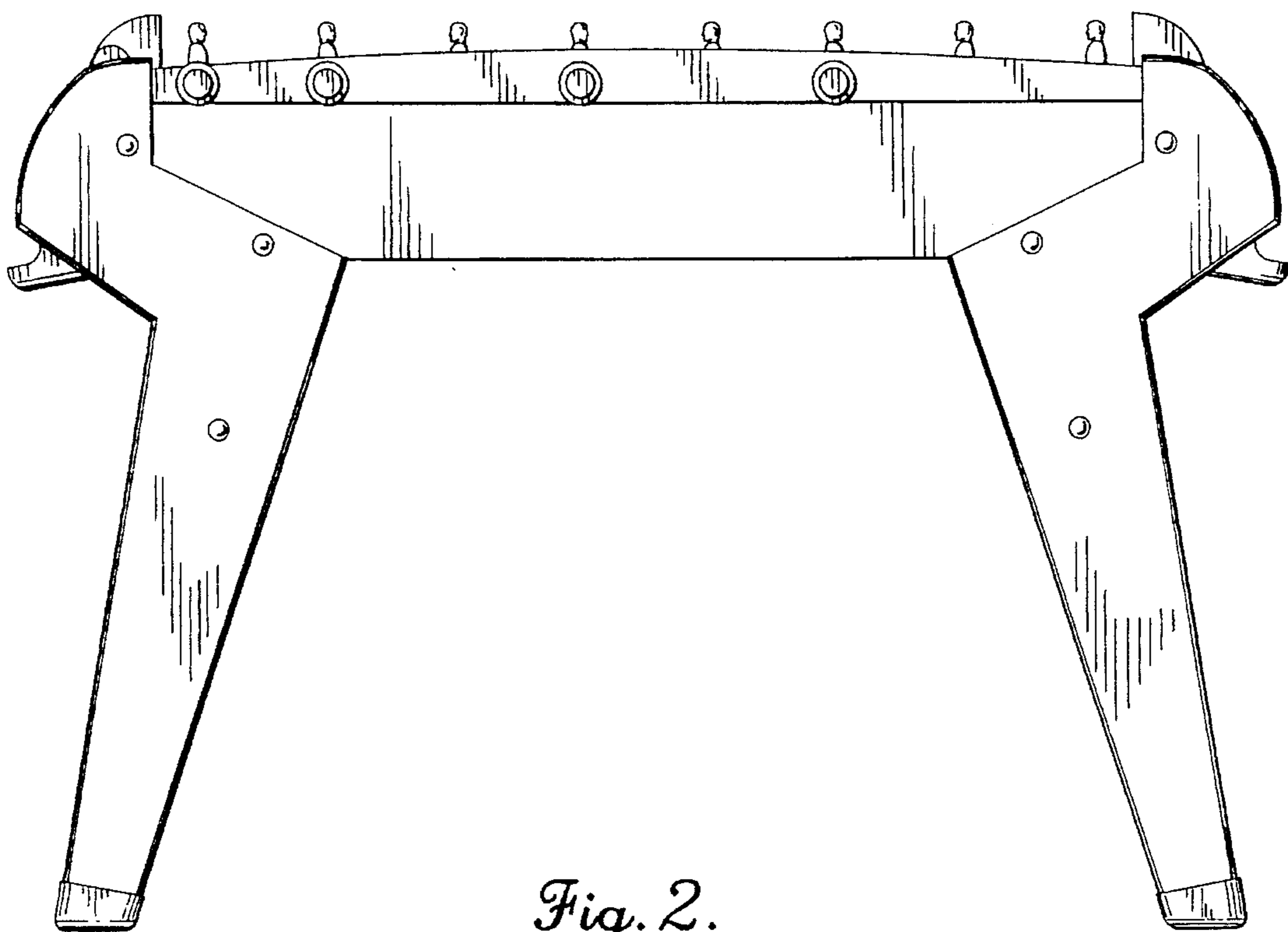
FIG. 1 is a front perspective view of a table soccer game, showing my new design; FIG. 2 is a side elevational view thereof, the side elevational view opposite that shown in FIG. 2 being identical thereto; FIG. 3 is an end elevational view thereof, the end opposite that shown in FIG. 4 being identical thereto; and, FIG. 4 is a top plan view thereof.

**1 Claim, 2 Drawing Sheets**

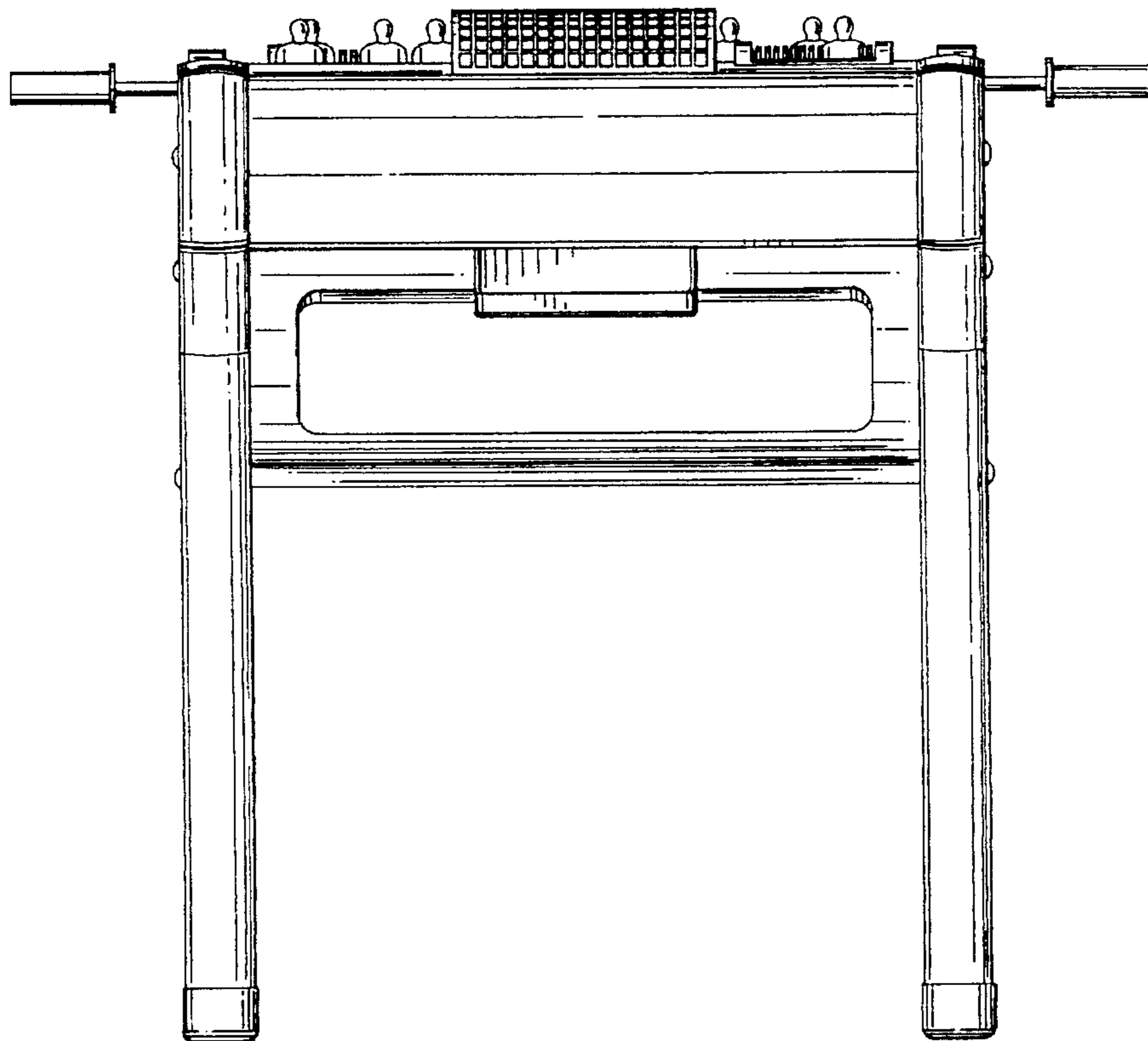




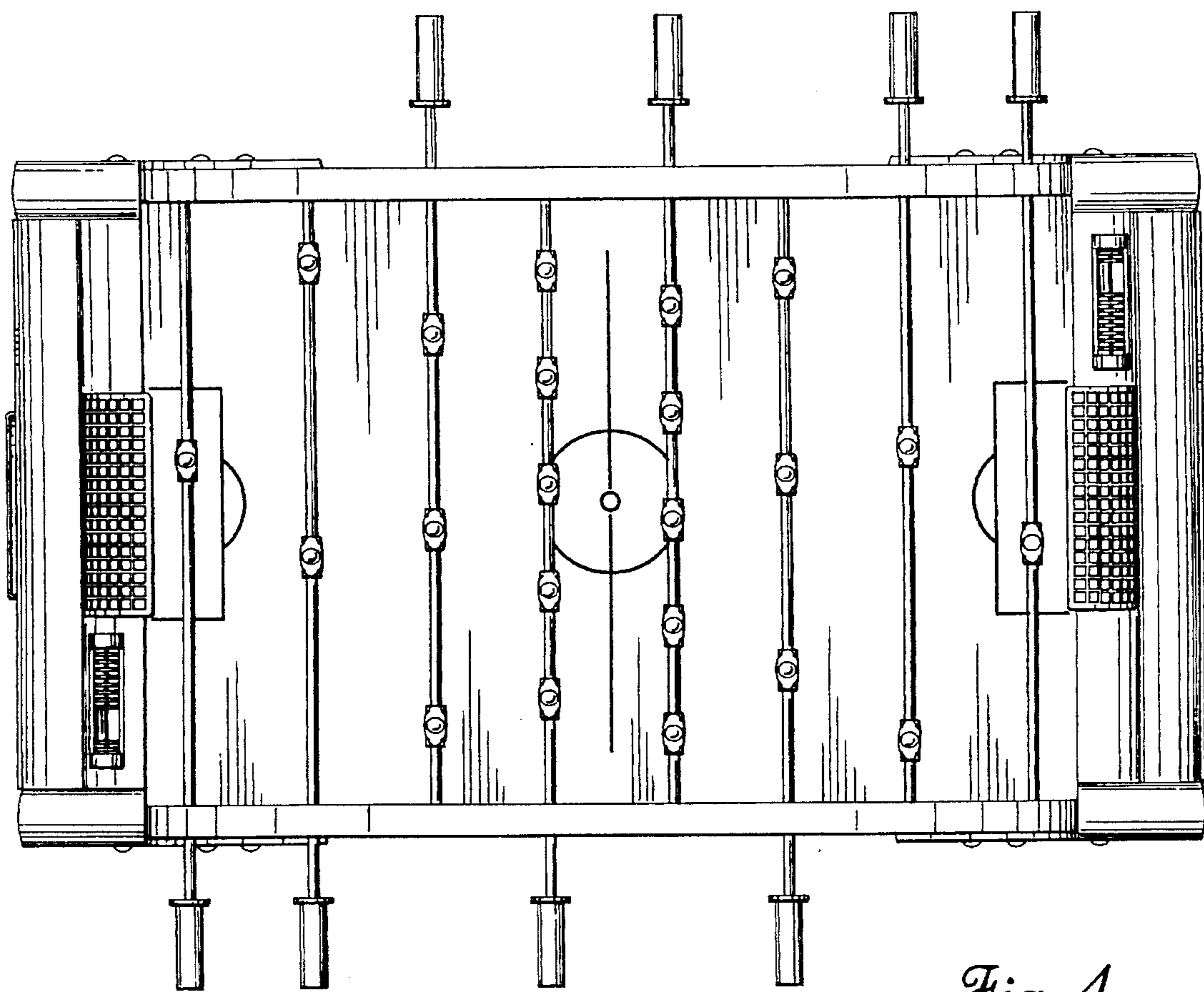
*Fig. 1.*



*Fig. 2.*



*Fig. 3.*



*Fig. 4.*