



US00D376387S

United States Patent [19]

[11] **Patent Number: Des. 376,387**

Saccoccio

[45] **Date of Patent: **Dec. 10, 1996**

[54] **DECORATIVE CLIP**

D. 342,890 1/1994 Ramierz D8/395
2,553,070 5/1951 Van Megroot 24/518

[76] Inventor: **Paula Saccoccio**, 1561 NW. 79th Ave.,
Pembroke Pines, Fla. 33024

Primary Examiner—Martie Thompson
Attorney, Agent, or Firm—Harold H. Dutton, Jr.; W. Charles
L. Jamison; Diane F. Liebman

[**] Term: **14 Years**

[21] Appl. No.: **49,478**

[57] **CLAIM**

[22] Filed: **Jan. 26, 1996**

The ornamental design for a decorative clip, as shown.

[52] U.S. Cl. **D19/65**; D8/395; D19/86;
D19/90

DESCRIPTION

[58] **Field of Search** D19/65, 75, 86,
D19/90, 91, 99, 100; D9/395, 394; 24/500,
501, 502, 509, 510, 518, DIG. 13

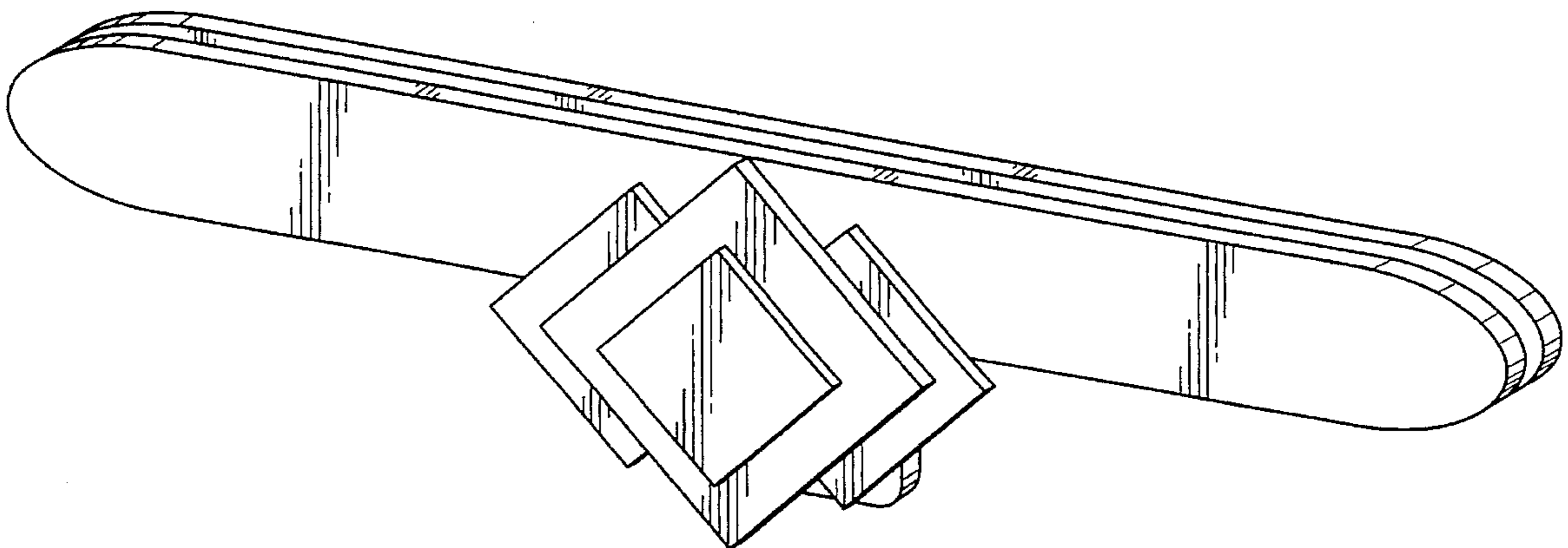
FIG. 1 is a perspective view of a decorative clip showing my
new design;
FIG. 2 is a front view thereof;
FIG. 3 is a rear view thereof;
FIG. 4 is a top view thereof;
FIG. 5 is a bottom view thereof;
FIG. 6 is a right side view thereof; and,
FIG. 7 is a left side view thereof.

[56] **References Cited**

U.S. PATENT DOCUMENTS

D. 044,433 8/1913 Clements D19/65
D. 090,930 10/1933 Todd D19/65
D. 310,323 9/1990 Kiyokane D8/395

1 Claim, 4 Drawing Sheets



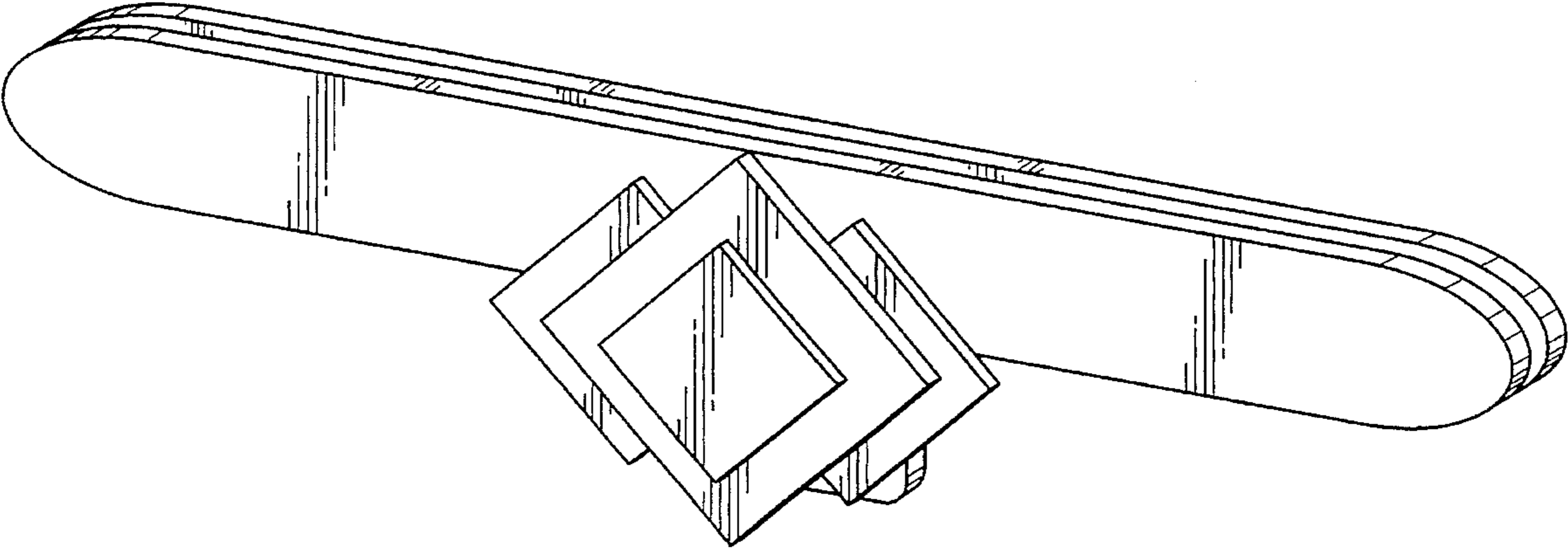


FIG. 1

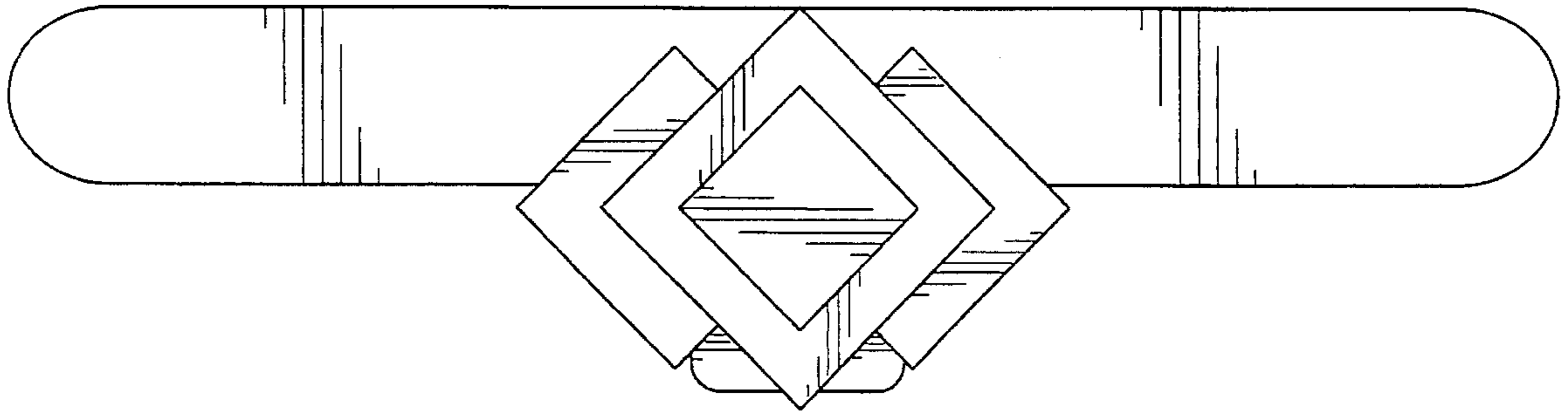


FIG. 2

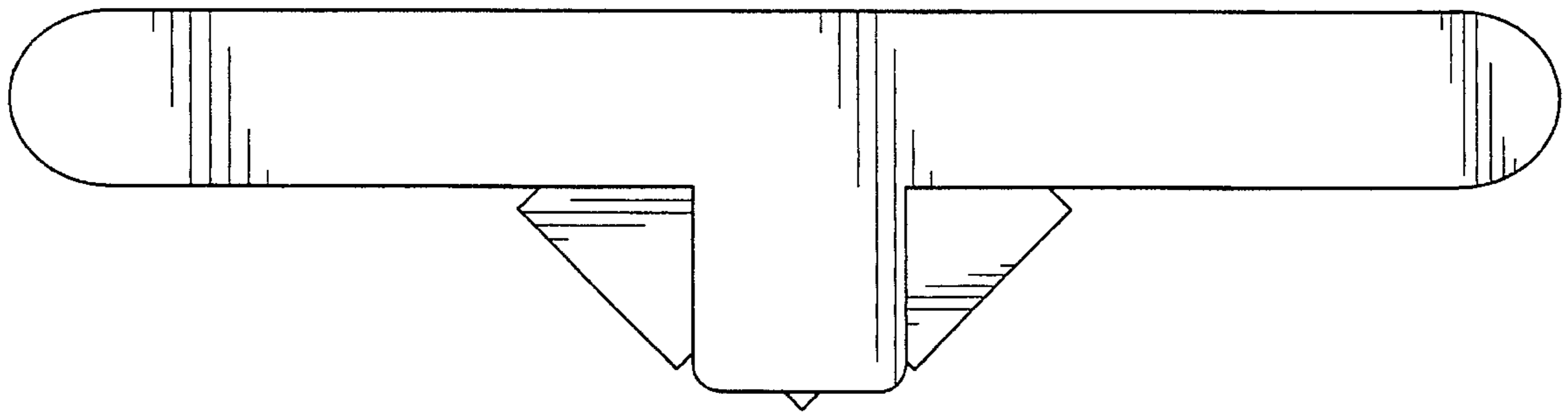


FIG. 3

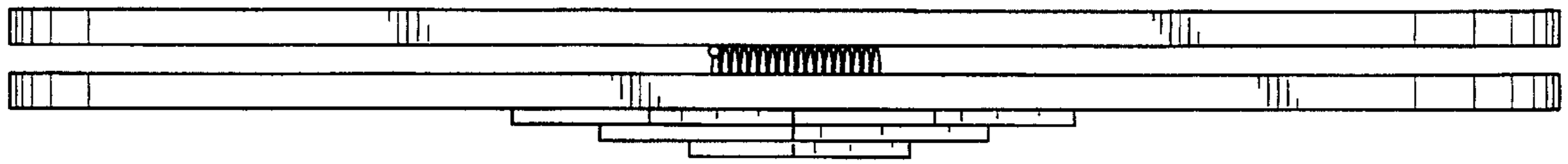


FIG. 4

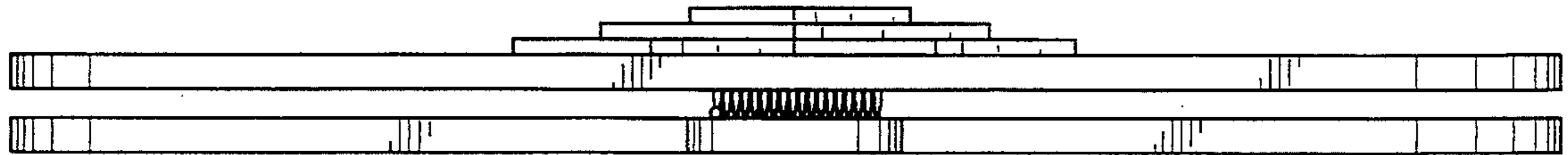


FIG. 5

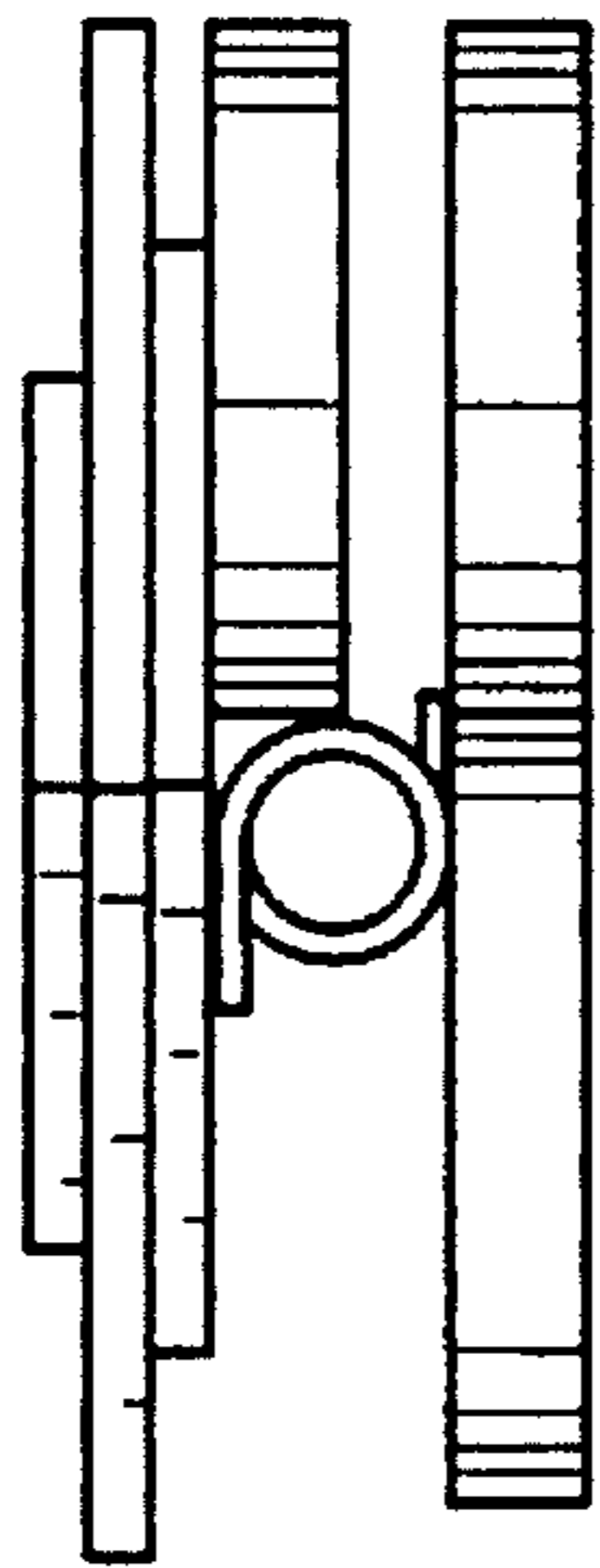


FIG. 6

FIG. 7

