



US00D376385S

# United States Patent [19]

[11] Patent Number: **Des. 376,385**

Tashiro et al.

[45] Date of Patent: **\*\*Dec. 10, 1996**

[54] **INK CARTRIDGE FOR PRINTER**

D. 367,884 3/1996 Taneya et al. .... D18/56

[76] Inventors: **Naoki Tashiro; Akihiro Yamanaka; Keiichiro Tsukuda**, all of c/o Canon Kabushiki Kaisha 30-2, 3-chome, Shimomaruko, Ohta-ku, Tokyo, Japan

**FOREIGN PATENT DOCUMENTS**

523635 1/1993 European Pat. Off. .... 347/86  
4369557 12/1992 Japan ..... D18/56

[\*\*] Term: **14 Years**

**OTHER PUBLICATIONS**

Canon brochure Replaceable BJ Cartridge; rear cover.

[21] Appl. No.: **42,239**

*Primary Examiner*—Cathy Anne MacCormac

[22] Filed: **Aug. 4, 1995**

*Attorney, Agent, or Firm*—Fitzpatrick, Cella, Harper & Scinto

[30] **Foreign Application Priority Data**

Feb. 6, 1995 [JP] Japan ..... 7-2789

[52] U.S. Cl. .... **D18/56; 347/86**

[58] Field of Search ..... D18/12, 42, 56;  
347/86, 87, 42, 43

[57] **CLAIM**

The ornamental design for an ink cartridge for printer, as shown and described.

**DESCRIPTION**

[56] **References Cited**

FIG. 1 is a front elevational view of an ink cartridge for printer showing our new design;  
FIG. 2 is a rear elevational view thereof;  
FIG. 3 is a top plan view thereof;  
FIG. 4 is a bottom plan view thereof;  
FIG. 5 is a left side elevational view thereof;  
FIG. 6 is a right side elevational view thereof; and,  
FIG. 7 is a perspective view thereof.

**U.S. PATENT DOCUMENTS**

- D. 325,743 4/1992 Kojima et al. .... D18/56
- D. 326,111 5/1992 Otsuka et al. .... D18/56
- D. 338,232 8/1993 Kotaki et al. .... D18/56
- D. 348,478 7/1994 Ujita et al. .... D18/56
- D. 348,479 7/1994 Ujita et al. .... D18/56
- D. 348,480 7/1994 Ujita et al. .... D18/56
- D. 351,856 10/1994 Watanabe et al. .... D18/56
- D. 363,736 10/1995 Ujita et al. .... D18/56

**1 Claim, 1 Drawing Sheet**

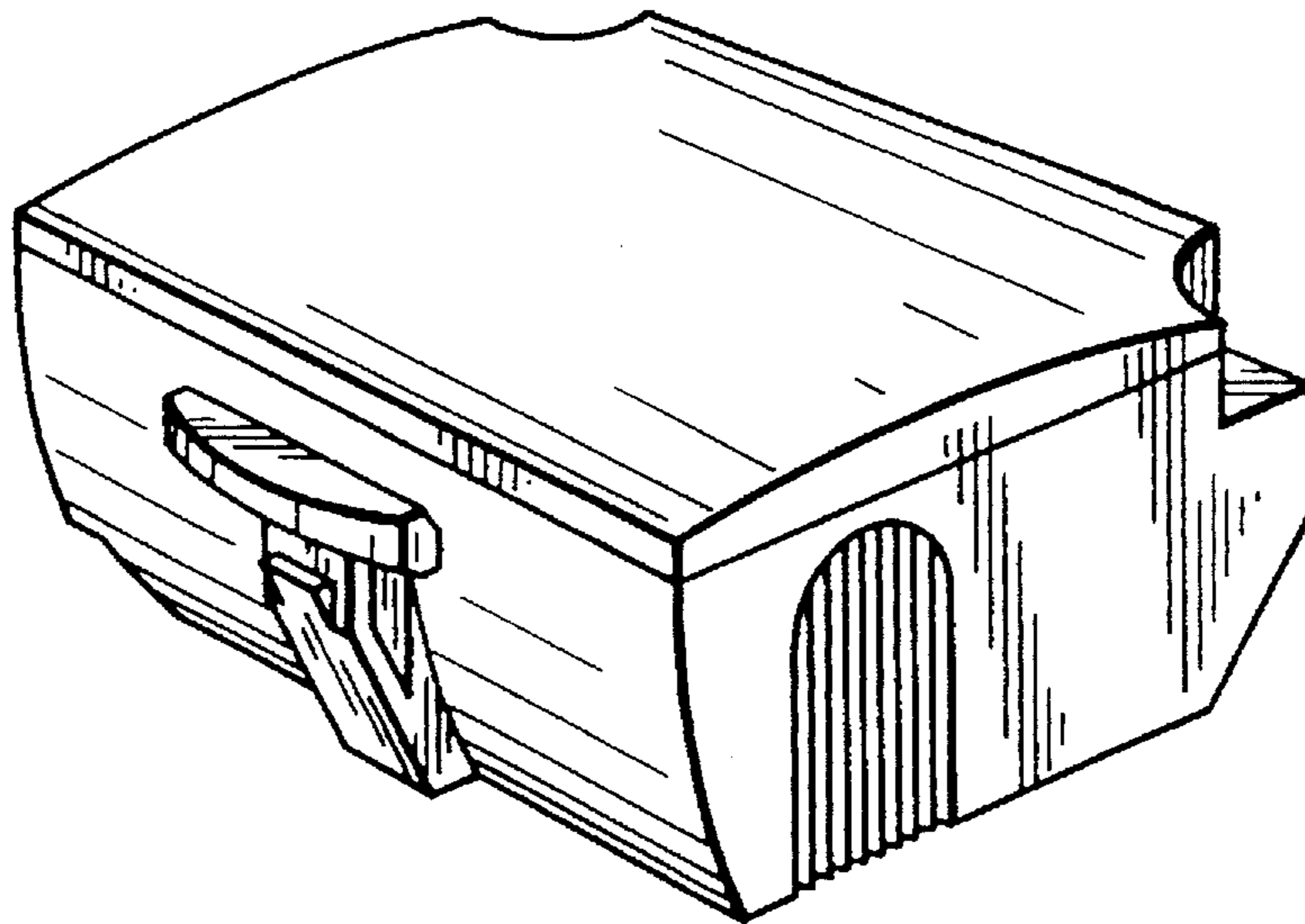


FIG. 1

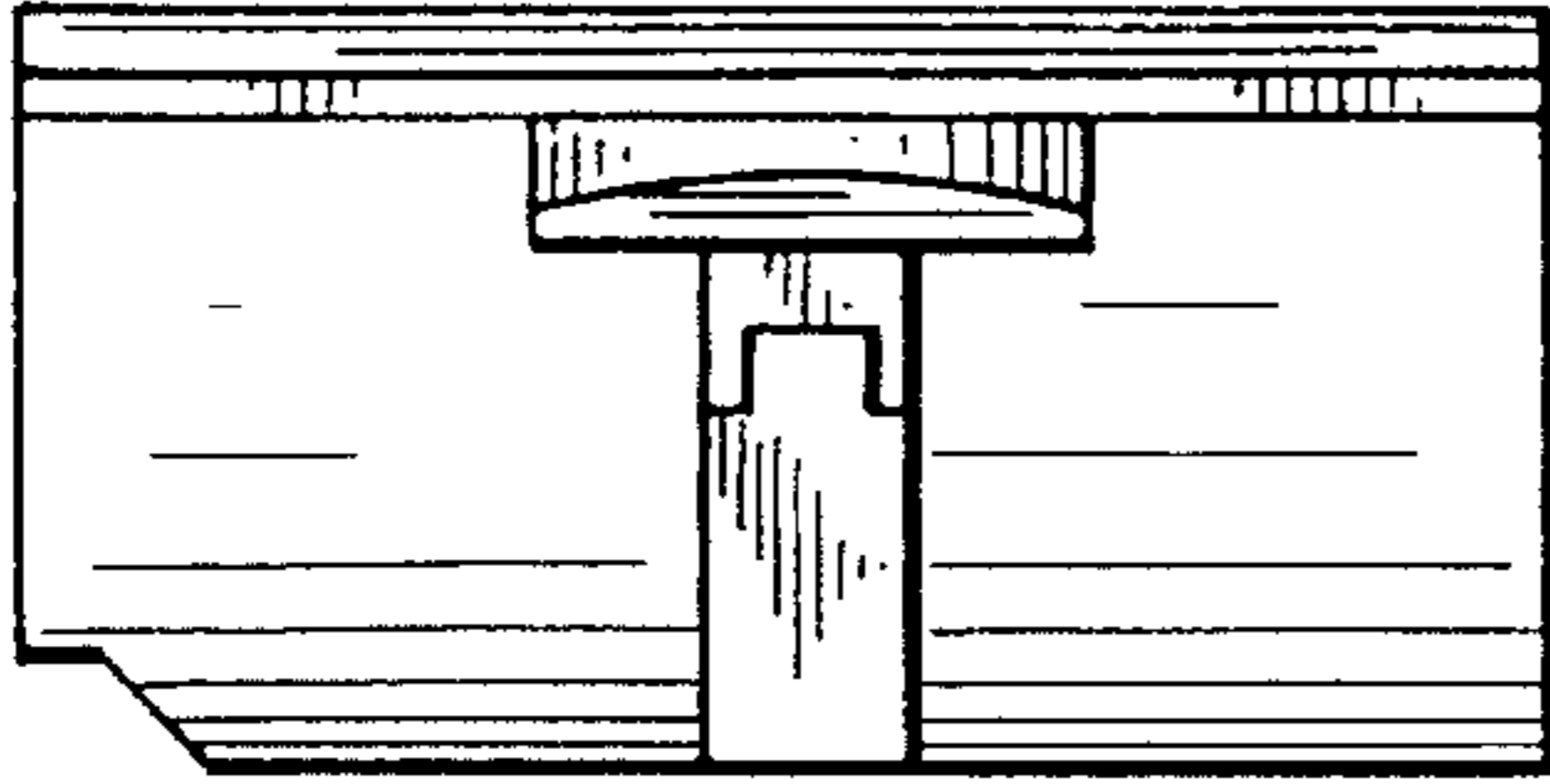


FIG. 2

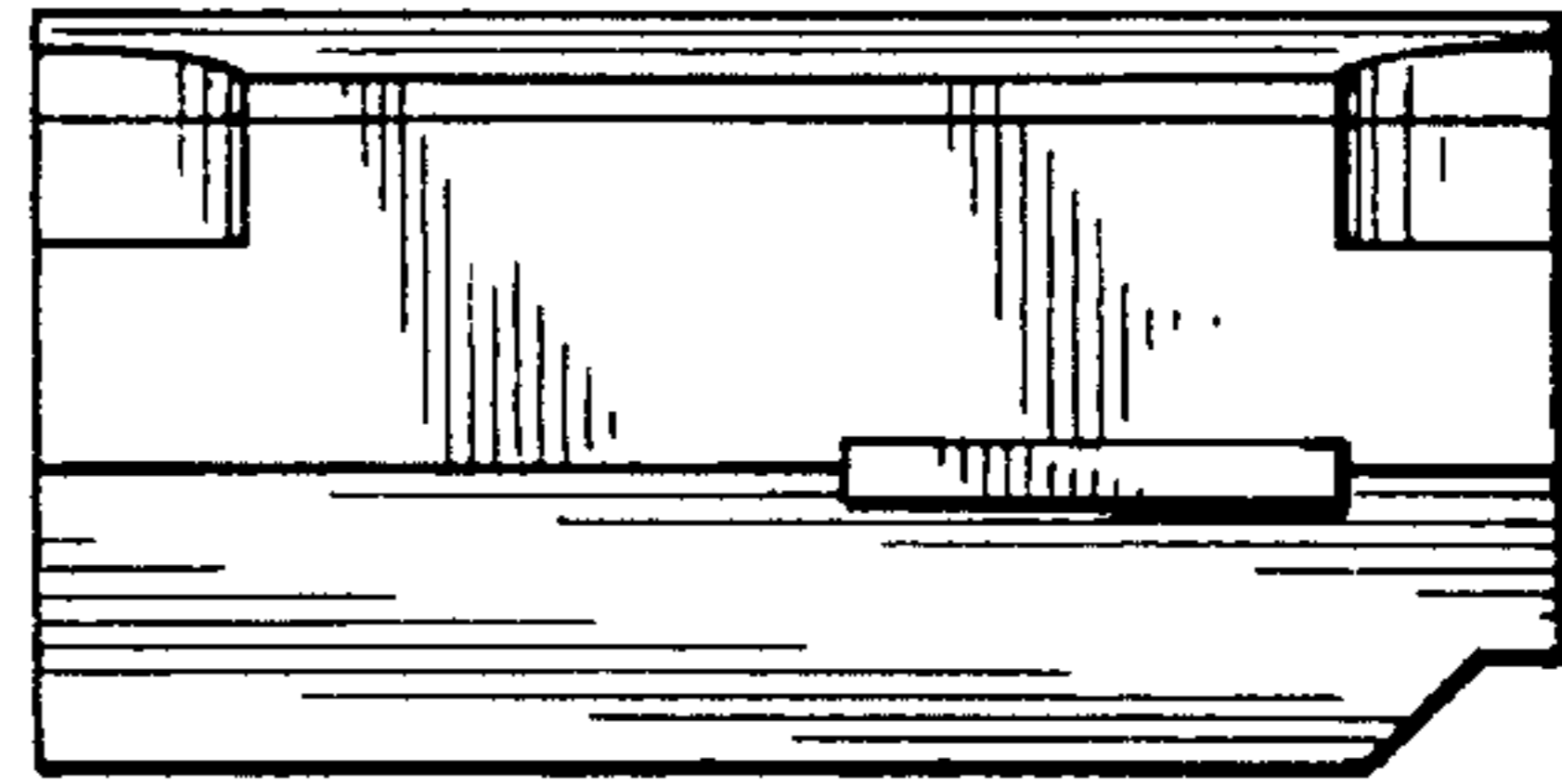


FIG. 3

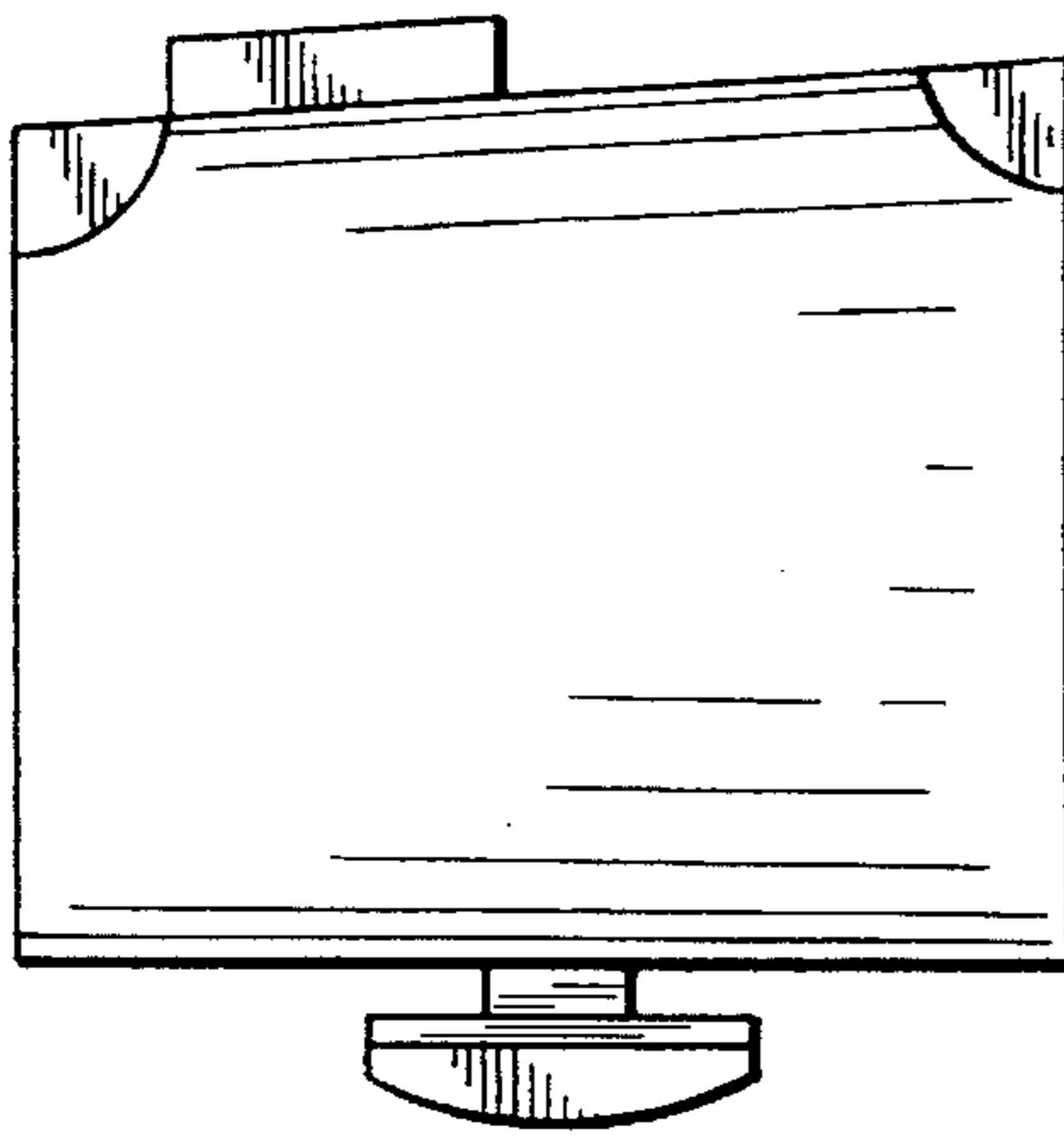


FIG. 4

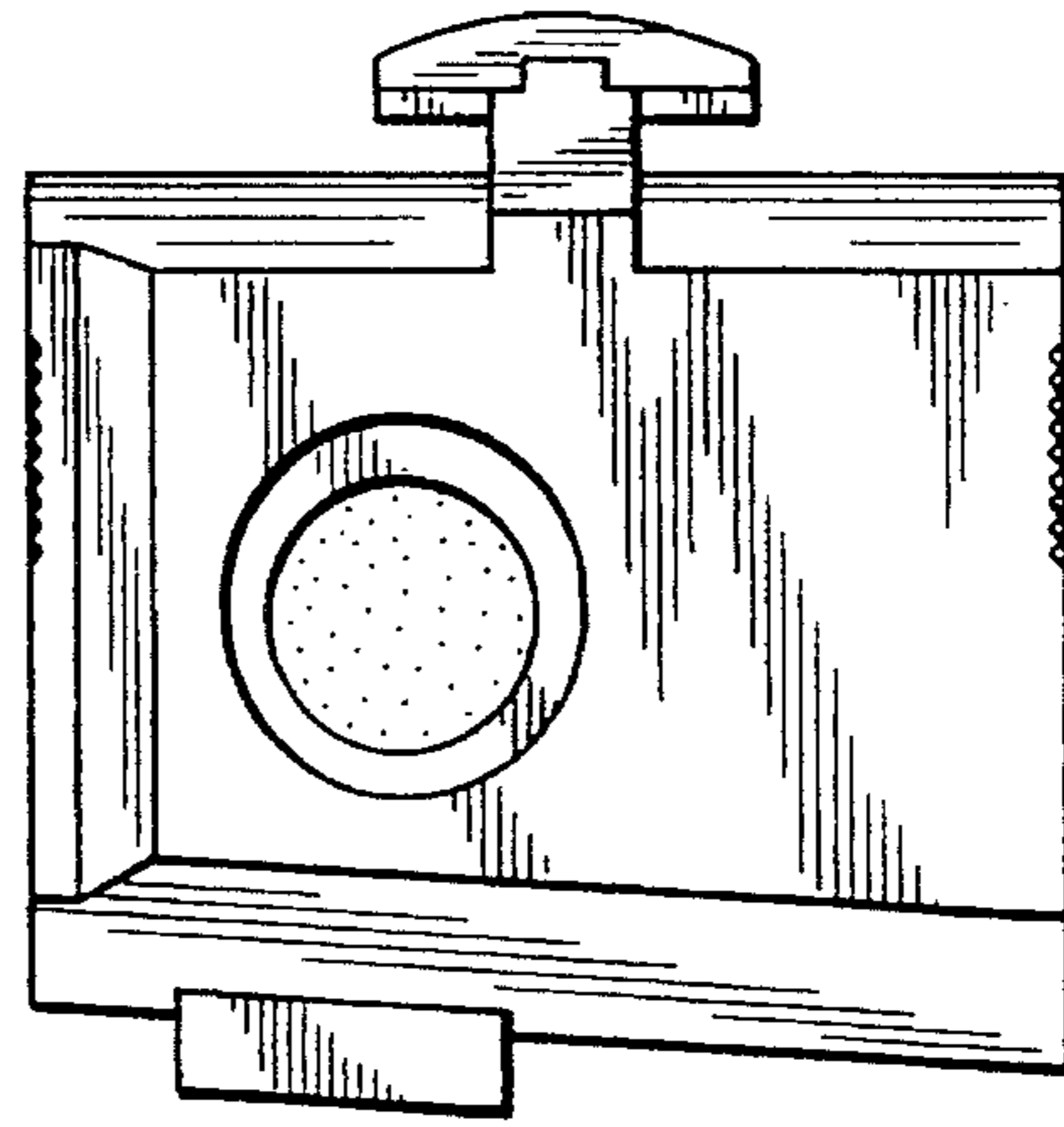


FIG. 5

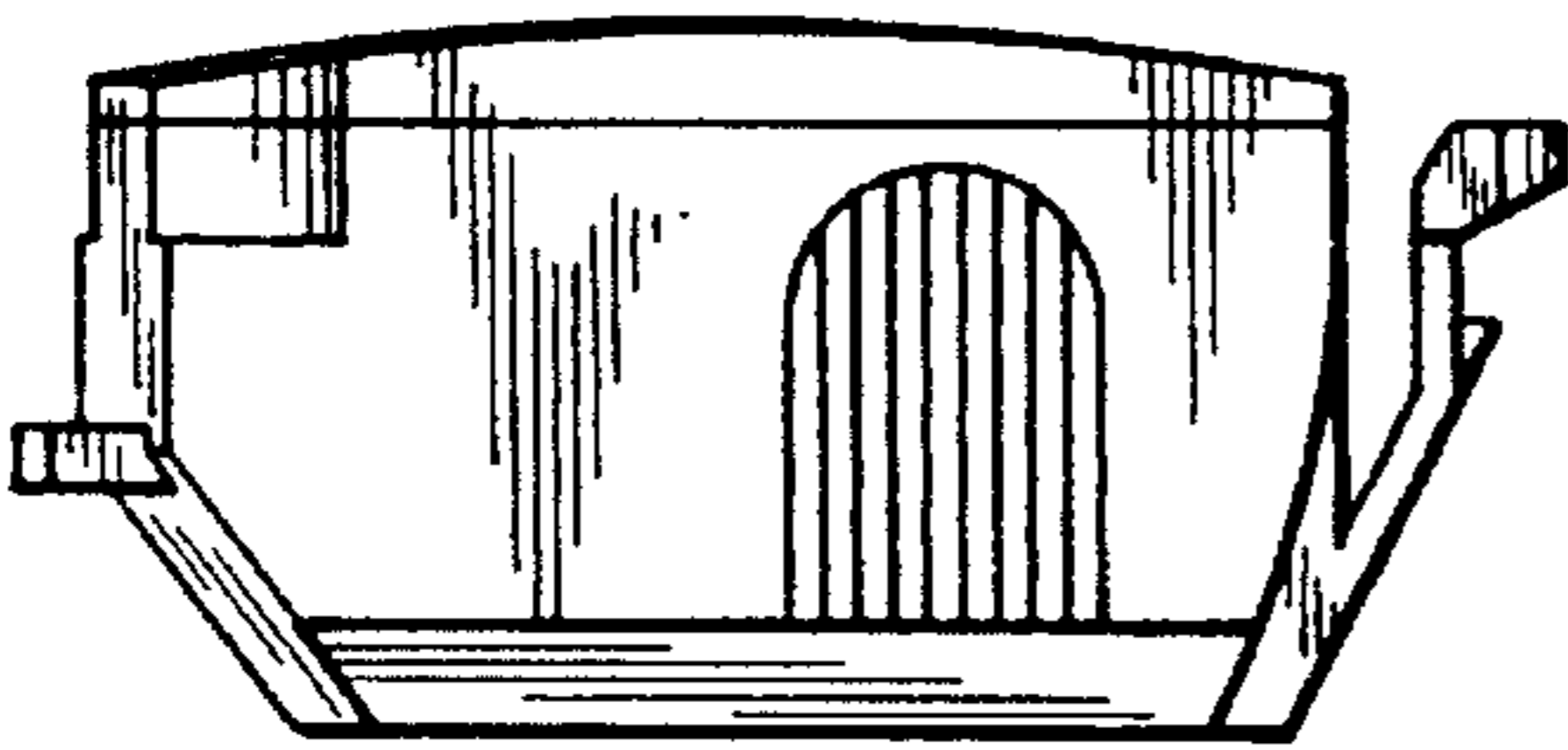


FIG. 6

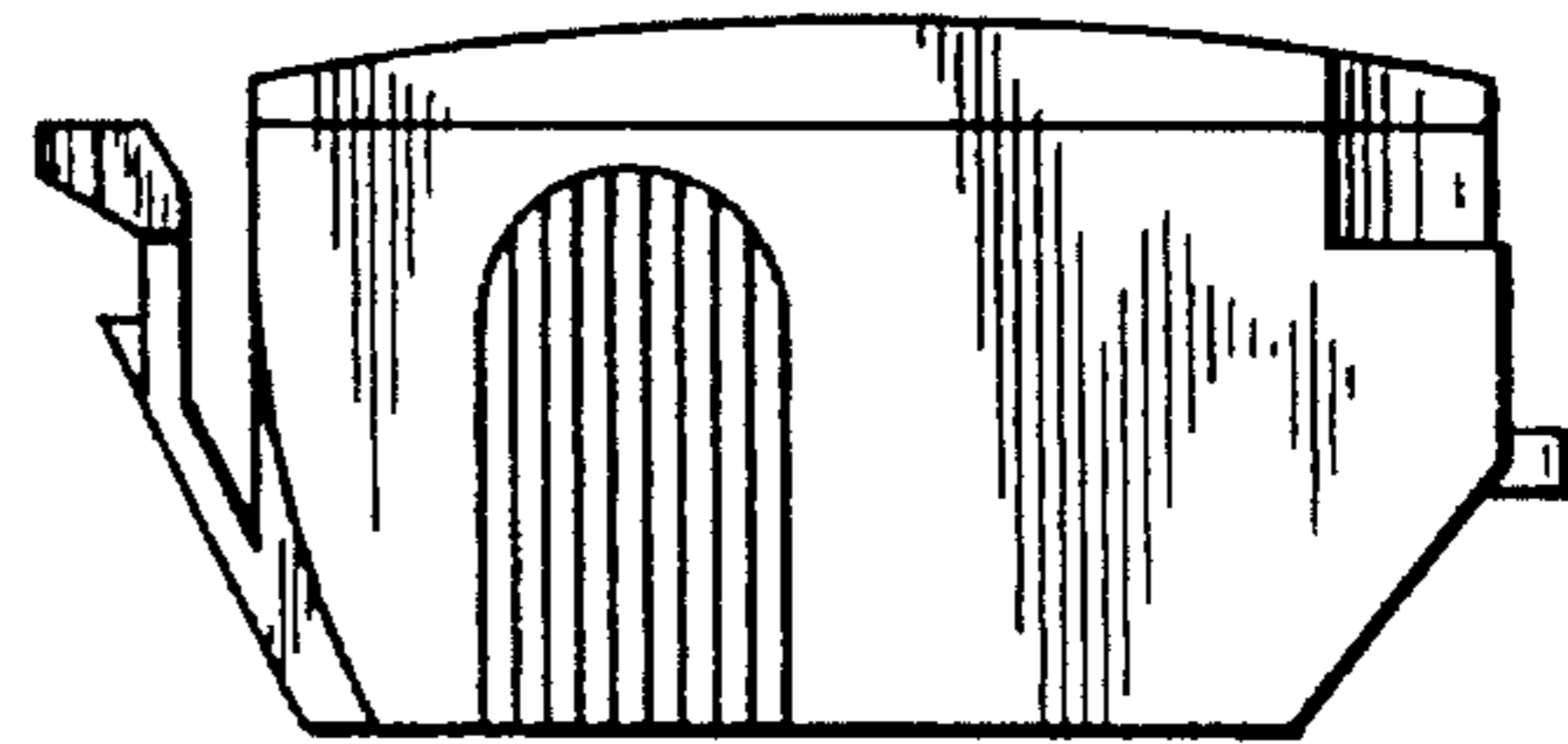
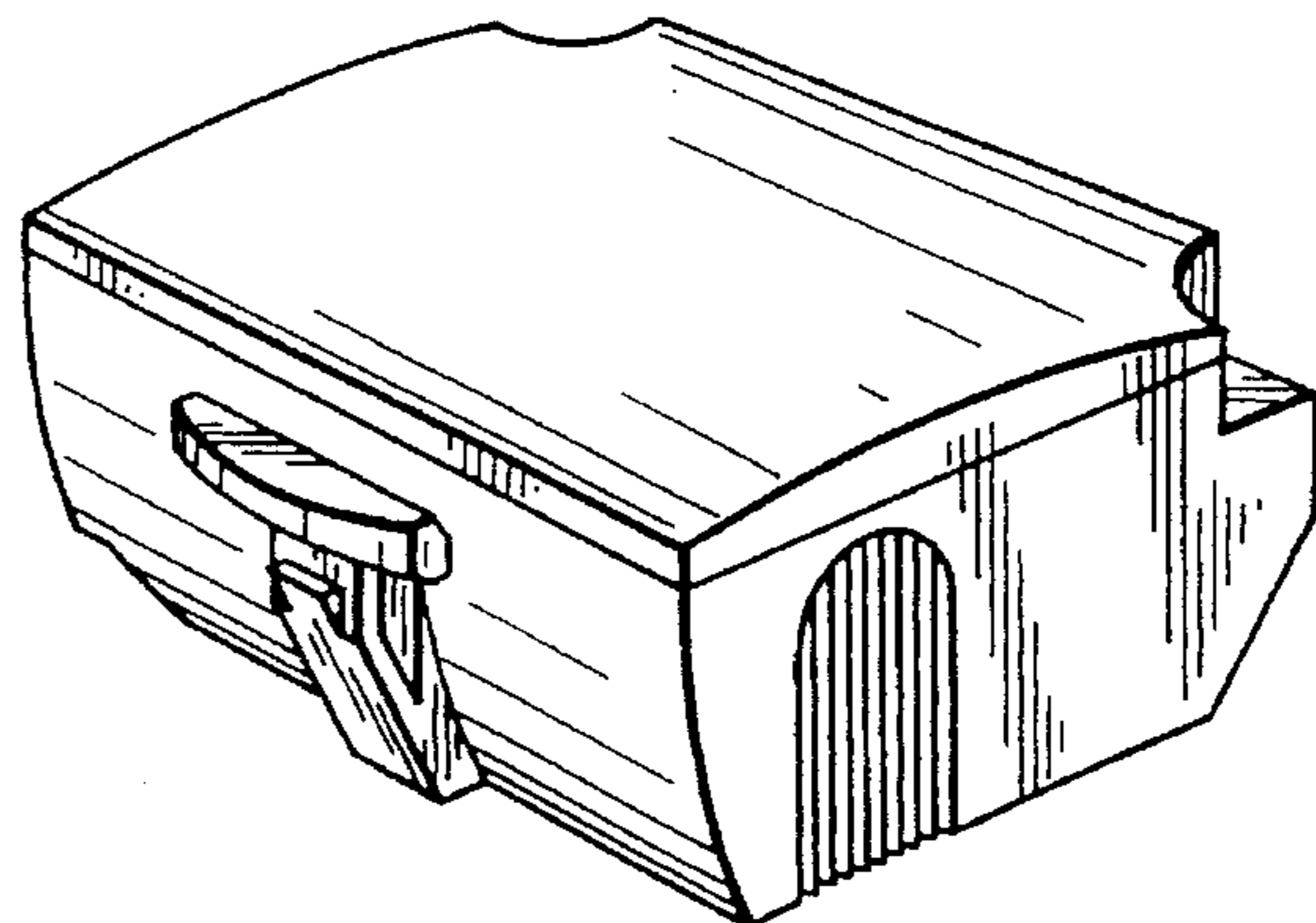


FIG. 7



UNITED STATES PATENT AND TRADEMARK OFFICE  
CERTIFICATE OF CORRECTION

PATENT NO. : Des. 376,385  
DATED : December 10, 1996  
INVENTOR(S) : NAOKI TASHIRO ET AL.

It is certified that error appears in the above-identified patent and that said Letters Patent is hereby corrected as shown below:  
On the title page:

Item [76] INVENTORS

"[76] Inventors: Naoki Tashiro; Akihiro Yamanaka;  
Keiichiro Tsukuda, all of c/o Canon  
Kabushiki Kaisha 30-2, 3-chome,  
Shimomaruko, Ohta-ku, Tokyo, Japan"

should read

--[75] Inventors: Naoki Tashiro, Kawasaki; Akihiro  
Yamanaka, Yokohama; Keiichiro Tsukuda,  
Kawasaki, all of Japan--.

AT [73] ASSIGNEE

Insert: --[73] Assignee: Canon Kabushiki Kaisha,  
Tokyo, Japan--.

AT [56] REFERENCES CITED

Foreign Patent Documents,  
"4369557" should read --4-369557--.

Signed and Sealed this  
Twenty-first Day of April, 1998



Attest:

BRUCE LEHMAN

Attesting Officer

Commissioner of Patents and Trademarks