



US00D376383S

United States Patent [19]

Harden

[11] **Patent Number: Des. 376,383**

[45] **Date of Patent: **Dec. 10, 1996**

[54] **STAMPER**

[75] Inventor: **Dan Harden**, Sunnyvale, Calif.

[73] Assignee: **Dentsu Inc.**, Tokyo, Japan

[**] Term: **14 Years**

[21] Appl. No.: **45,256**

[22] Filed: **Oct. 13, 1995**

[30] **Foreign Application Priority Data**

Apr. 13, 1995 [JP] Japan 7-10527

[52] **U.S. Cl.** **D18/14; 101/327**

[58] **Field of Search** D18/16, 18, 15,
D18/17; 118/264, 268; 101/333, 327, 405,
406, 371, 372, 376, 373

[56] **References Cited**

U.S. PATENT DOCUMENTS

D. 233,463	11/1974	Funahashi	D18/15
D. 280,733	9/1985	Fujikura	D18/15
D. 280,911	10/1985	Rhoades	D18/15
D. 283,629	4/1986	Hewitt et al.	D18/15
2,900,902	8/1959	Becker	101/327

3,855,925	12/1974	Funahashi	101/405 X
4,289,070	9/1981	MacGregor	101/327
4,676,162	6/1987	Phipps, Sr. et al.	101/327 X
5,152,223	10/1992	Mairon	D18/15 X

Primary Examiner—Louis S. Zarfes
Assistant Examiner—Frank Martinez
Attorney, Agent, or Firm—Keck, Mahin & Cate

[57] **CLAIM**

The ornamental design for a stamper, as shown and described.

DESCRIPTION

FIG. 1 is a perspective view of a stamper embodying my design;
FIG. 2 is a front elevational view of the stamper of FIG. 1;
FIG. 3 is a right side elevational view thereof;
FIG. 4 is a top plan view thereof;
FIG. 5 is a bottom plan view thereof;
FIG. 6 is a longitudinal enlarged cross-sectional view of the stamper taken along line 6—6 of FIG. 2; and,
FIG. 7 is an enlarged cross-sectional view of the stamper taken along line 7—7 of FIG. 3.

1 Claim, 2 Drawing Sheets

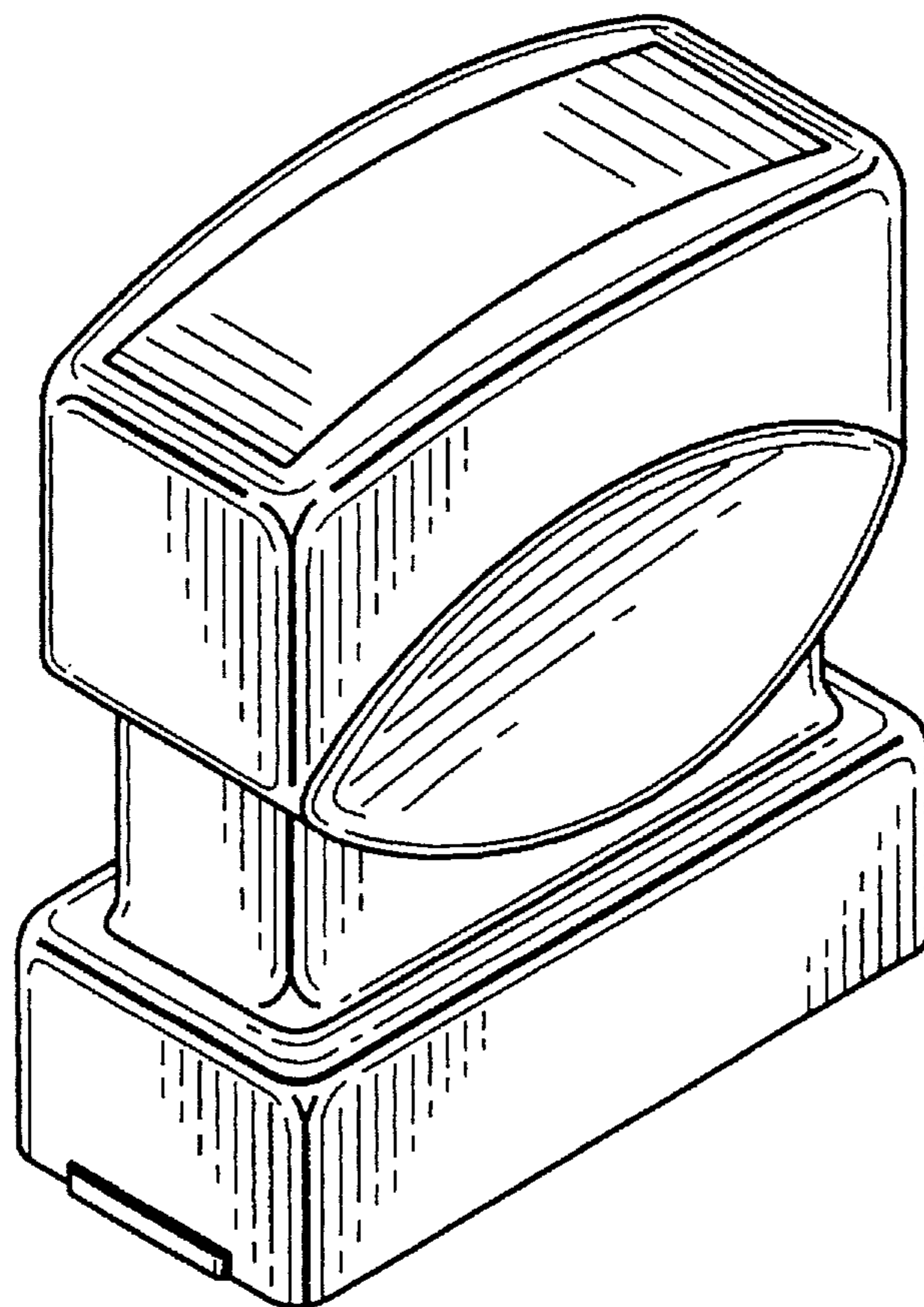


FIG. 1

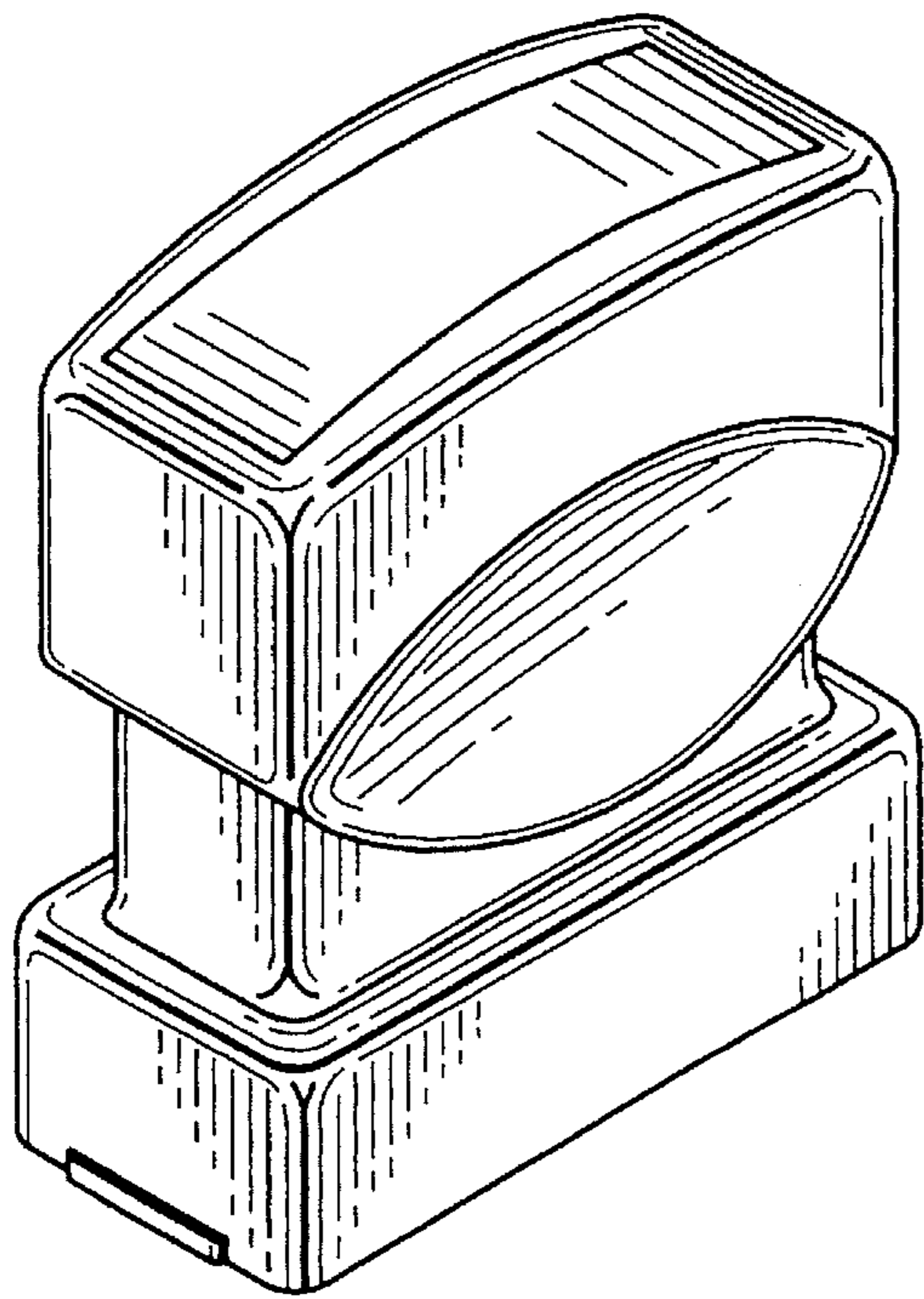


FIG. 2

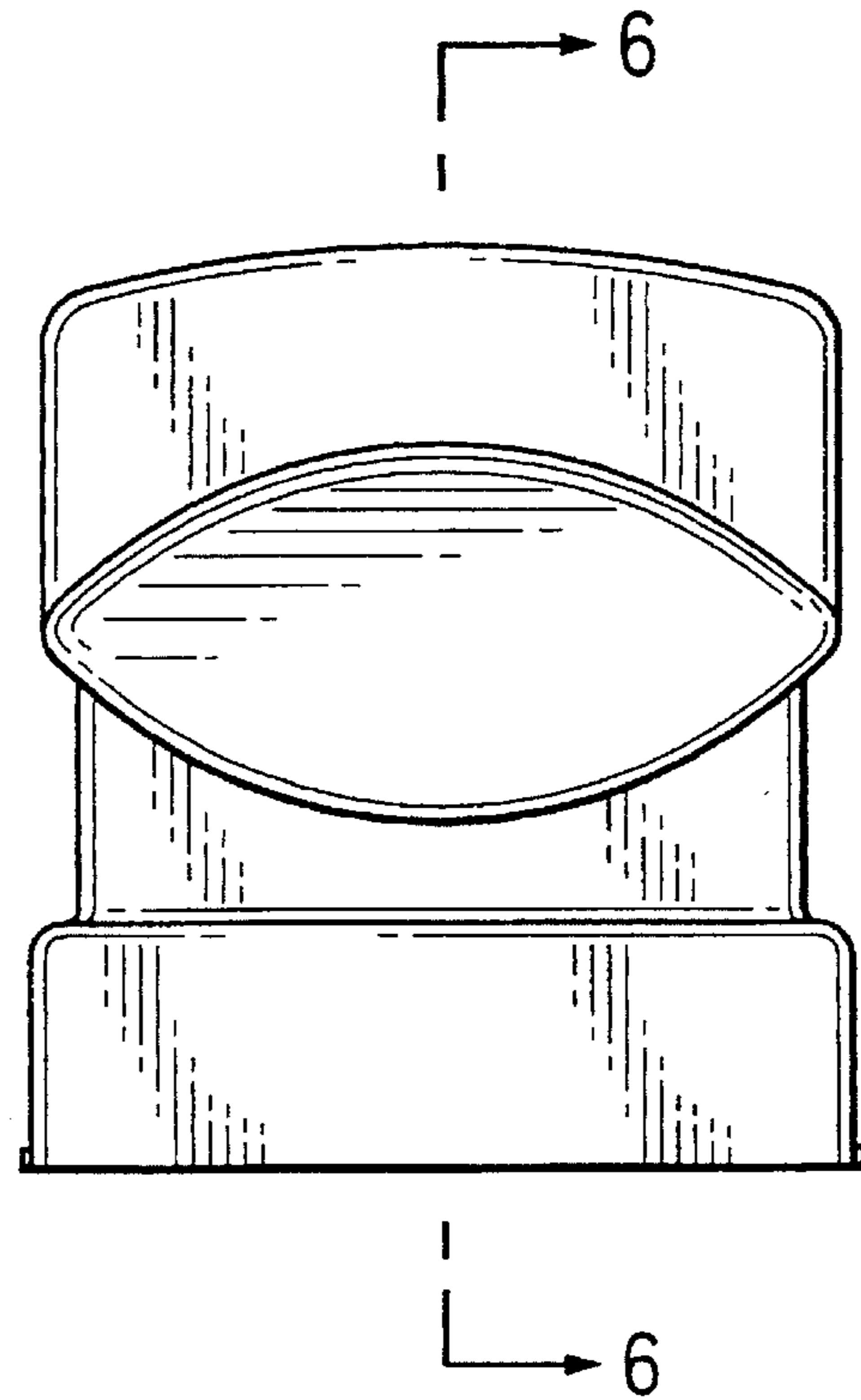


FIG. 3

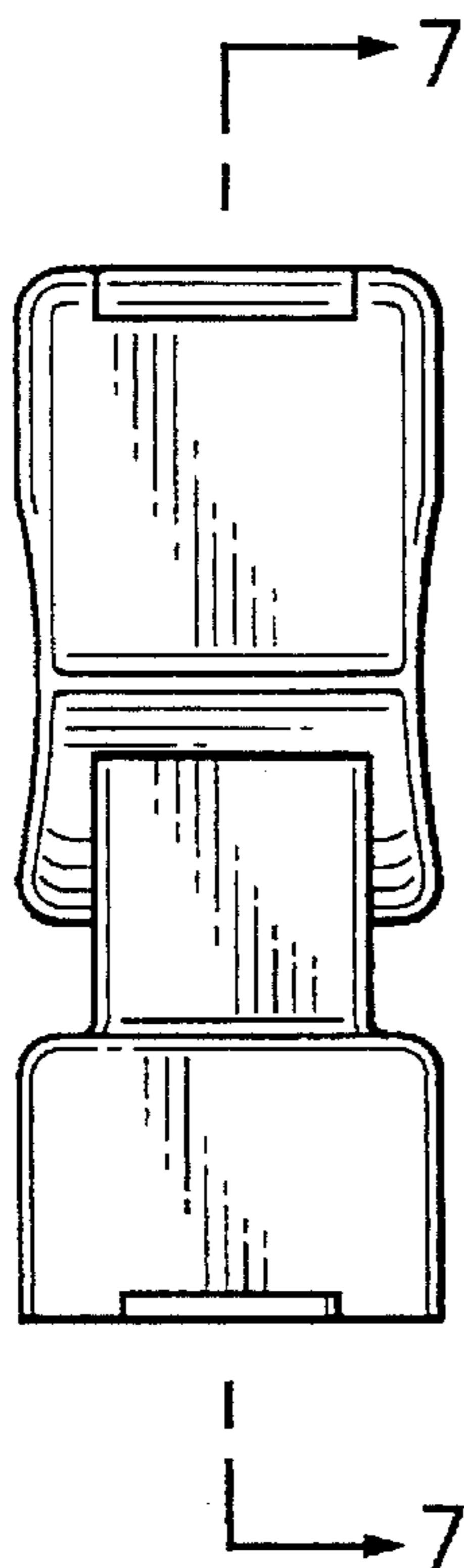


FIG. 4

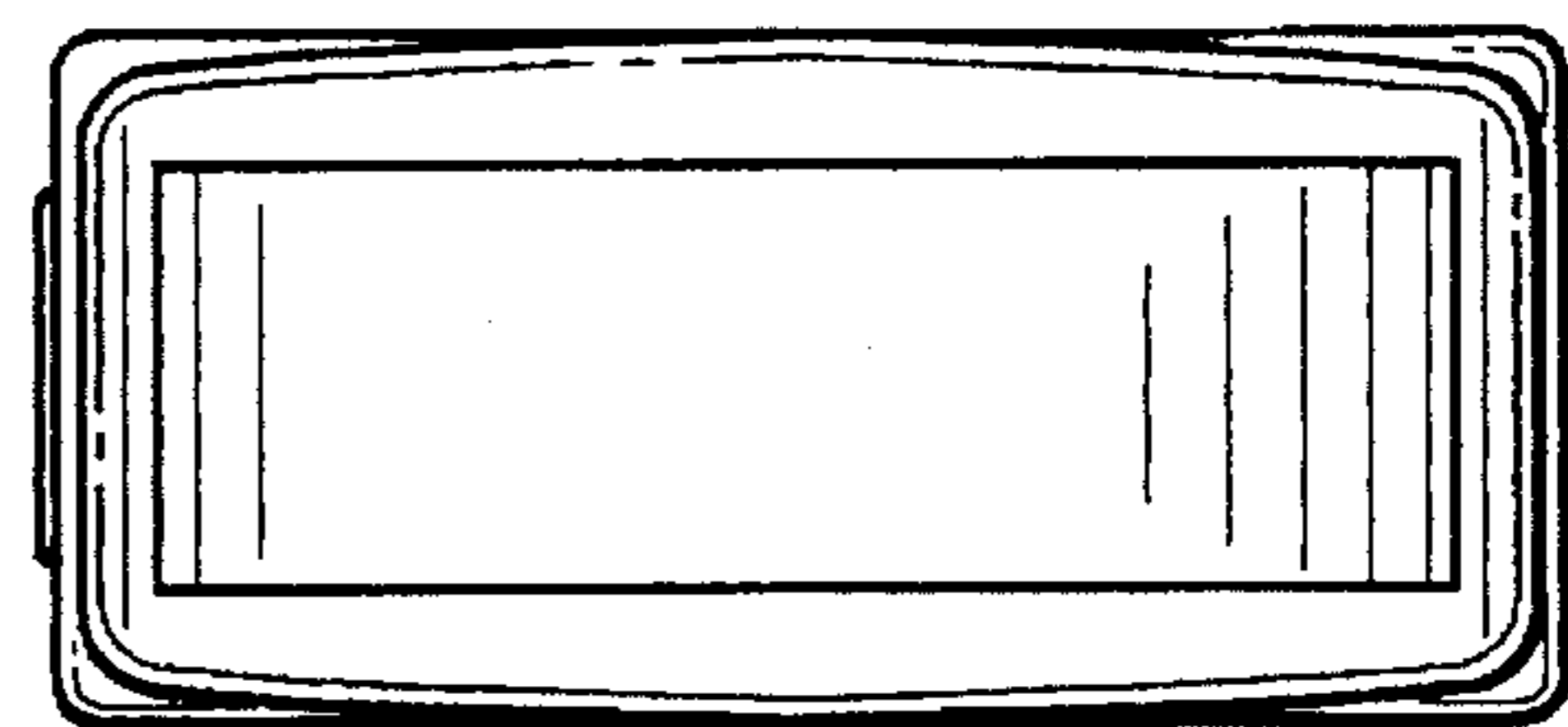


FIG. 5

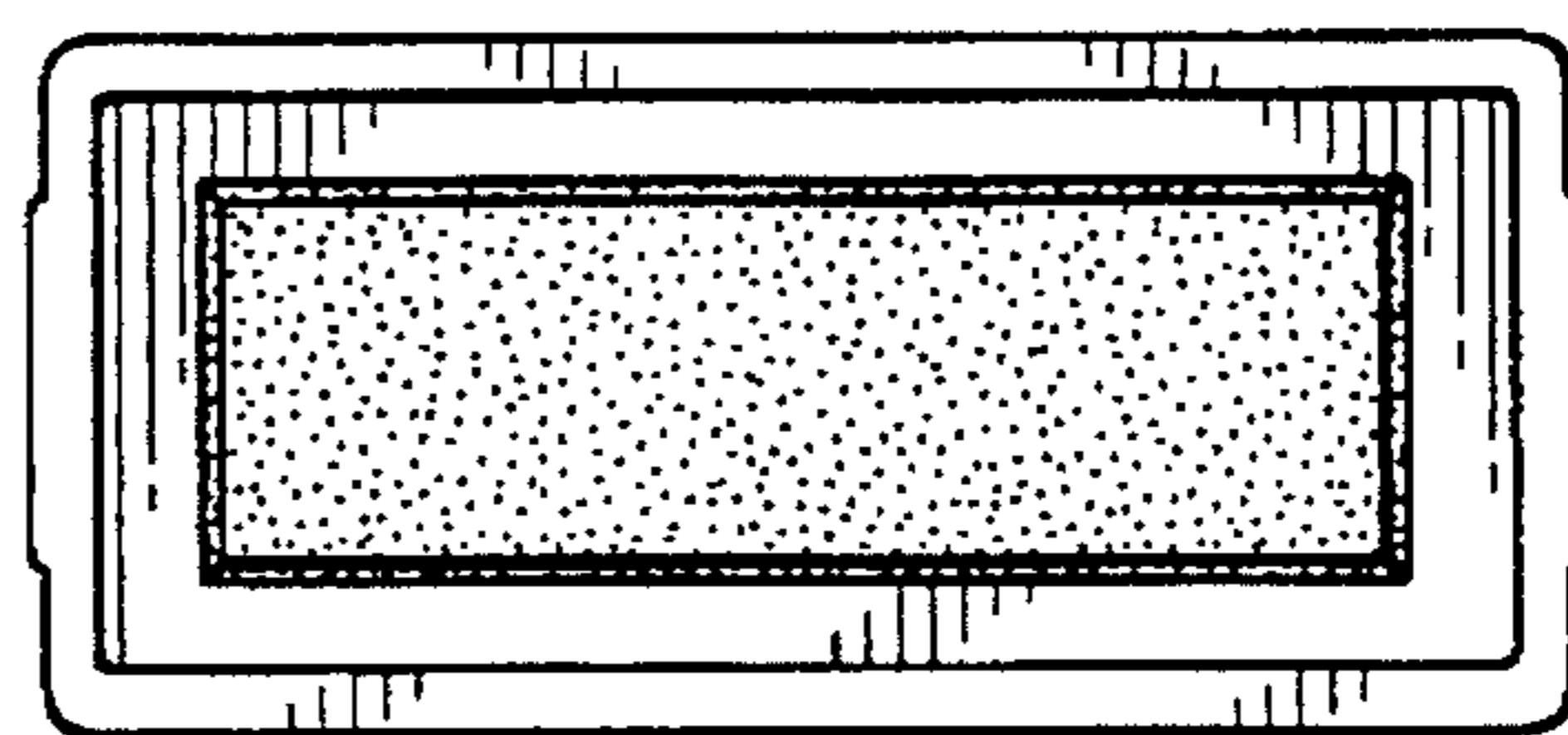


FIG. 6

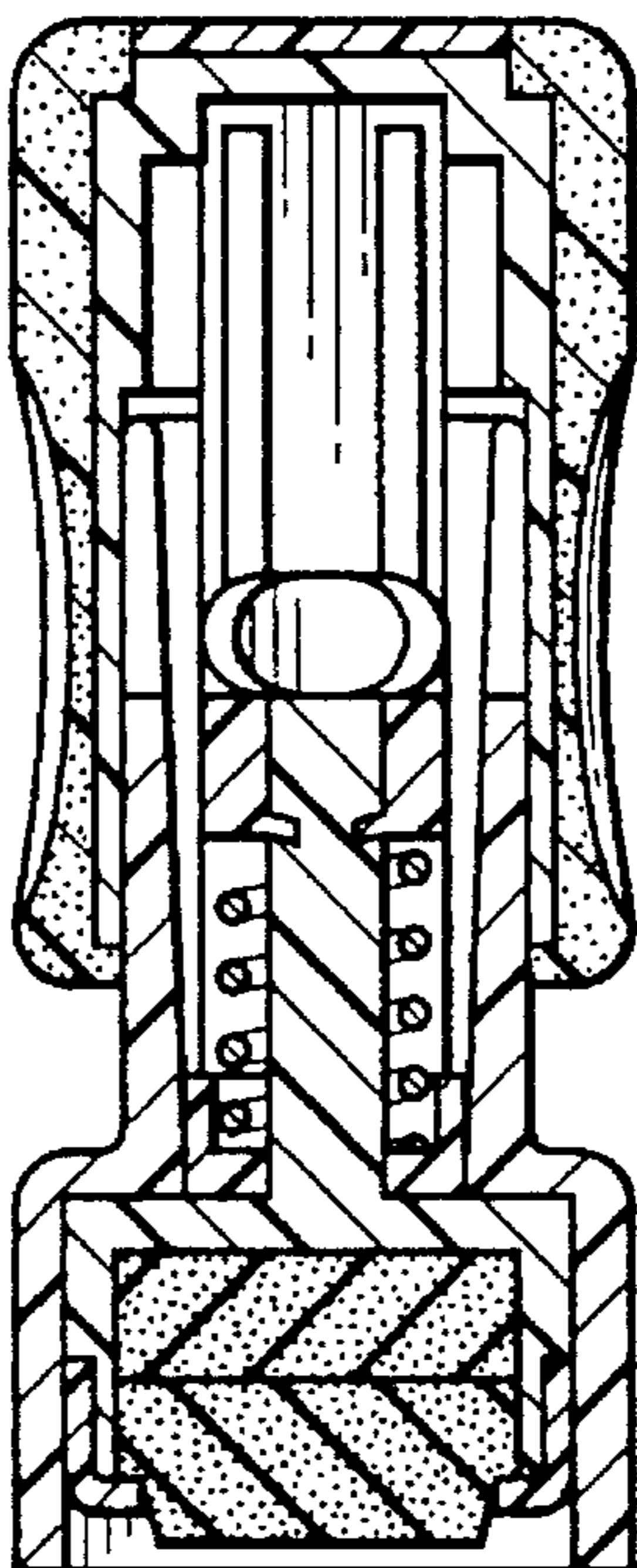


FIG. 7

