



US00D376380S

# United States Patent [19]

Yang et al.

[11] Patent Number: **Des. 376,380**

[45] Date of Patent: **\*\*Dec. 10, 1996**

[54] **CAMERA SUPPORT PLATFORM**

2,651,981	9/1953	Calhoun	.....	354/293
4,473,177	9/1984	Parandes	.....	224/908

[76] Inventors: **Oliver Yang**, 2Fl., No. 3, Lane 279, Tibet Road, Taipei City; **Ching-Long Chen**, No. 5, Alley 37, Lane 266, Futeh 1st Road,, Hschih, Taipei Hsien, both of Taiwan

*Primary Examiner*—Ted Shooman  
*Assistant Examiner*—Adir Aronovich  
*Attorney, Agent, or Firm*—Notaro & Michalos PC

[\*\*] Term: **14 Years**

[57] **CLAIM**

The ornamental design for camera support platform, as shown and described.

[21] Appl. No.: **41,610**

**DESCRIPTION**

[22] Filed: **Jul. 19, 1995**

[52] U.S. Cl. .... **D16/242; D16/244**

[58] Field of Search ..... D16/242, 243, D16/244, 245; 224/908; 248/185.1, 184.1, 178.1; 354/81, 82, 293

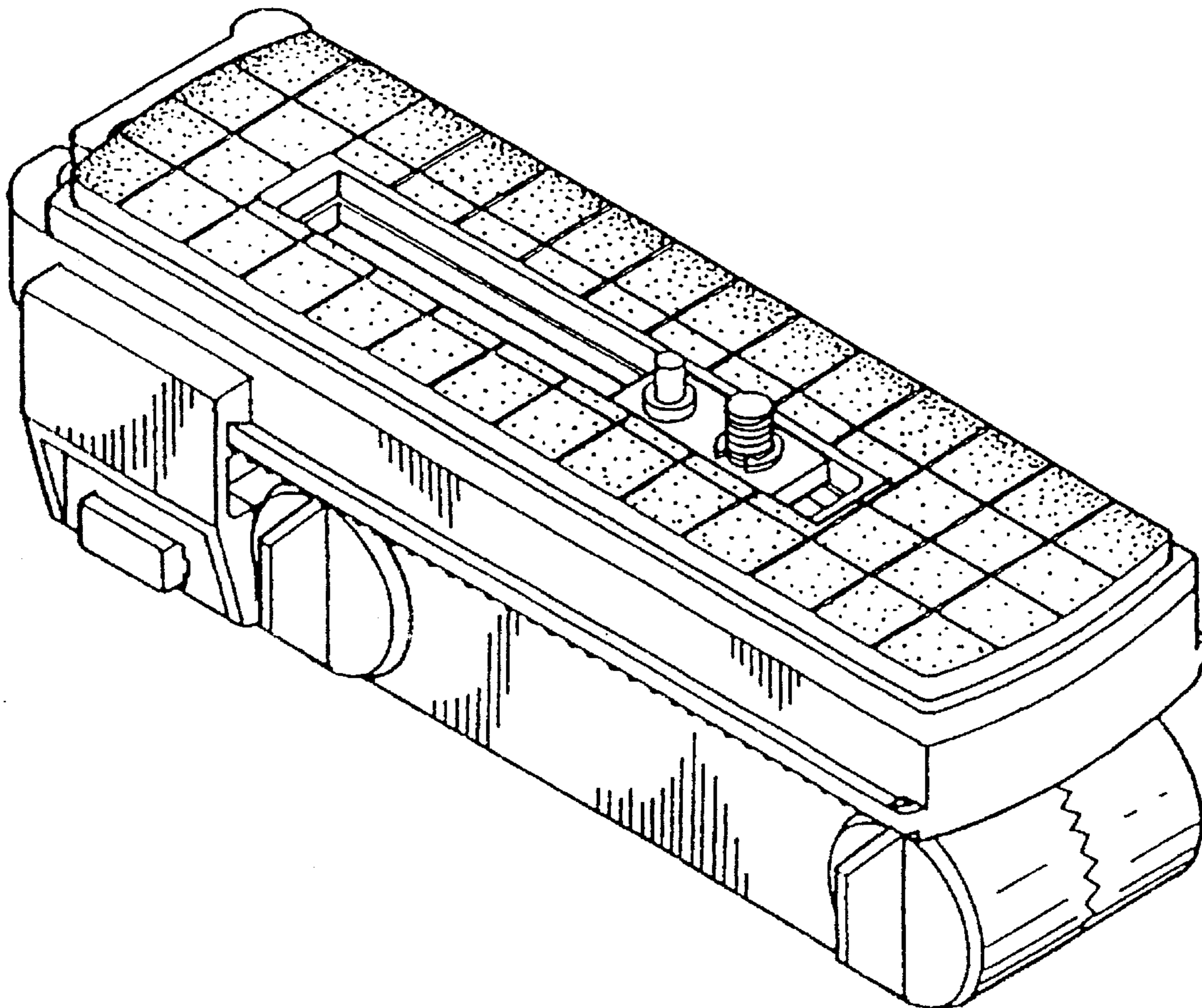
FIG. 1 is a perspective view of camera support platform showing our new design;  
FIG. 2 is a front elevational view thereof;  
FIG. 3 is a rear elevational view thereof;  
FIG. 4 is a left side elevational view thereof;  
FIG. 5 is a right side elevational view thereof;  
FIG. 6 is a top view thereof; and,  
FIG. 7 is a bottom view thereof.

[56] **References Cited**

**U.S. PATENT DOCUMENTS**

D. 230,083	1/1974	Adams	.....	D16/243
D. 349,717	8/1994	Akaike et al.	.....	D16/244
D. 350,970	9/1994	Usui	.....	D16/244

**1 Claim, 4 Drawing Sheets**



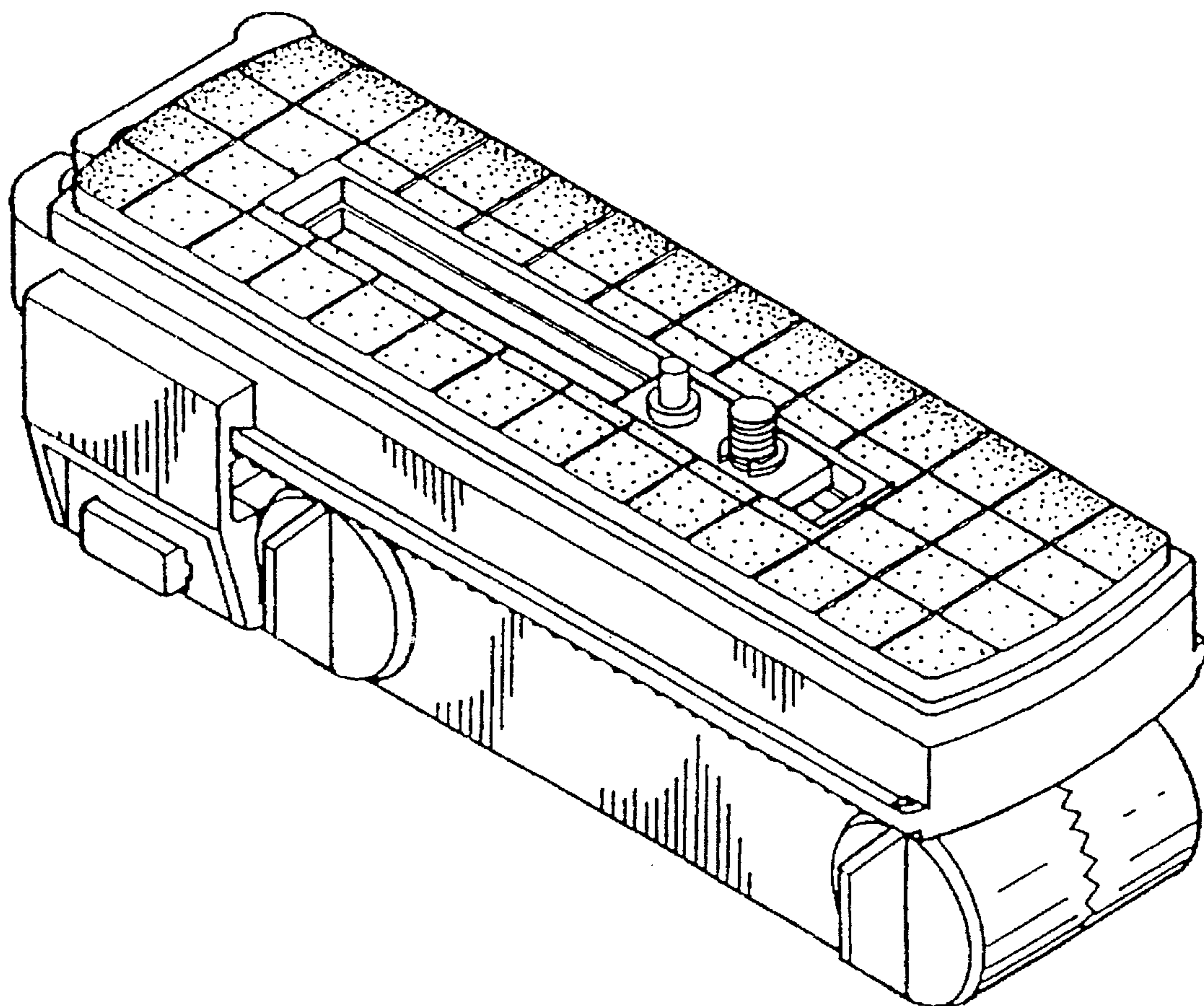


FIG. 1

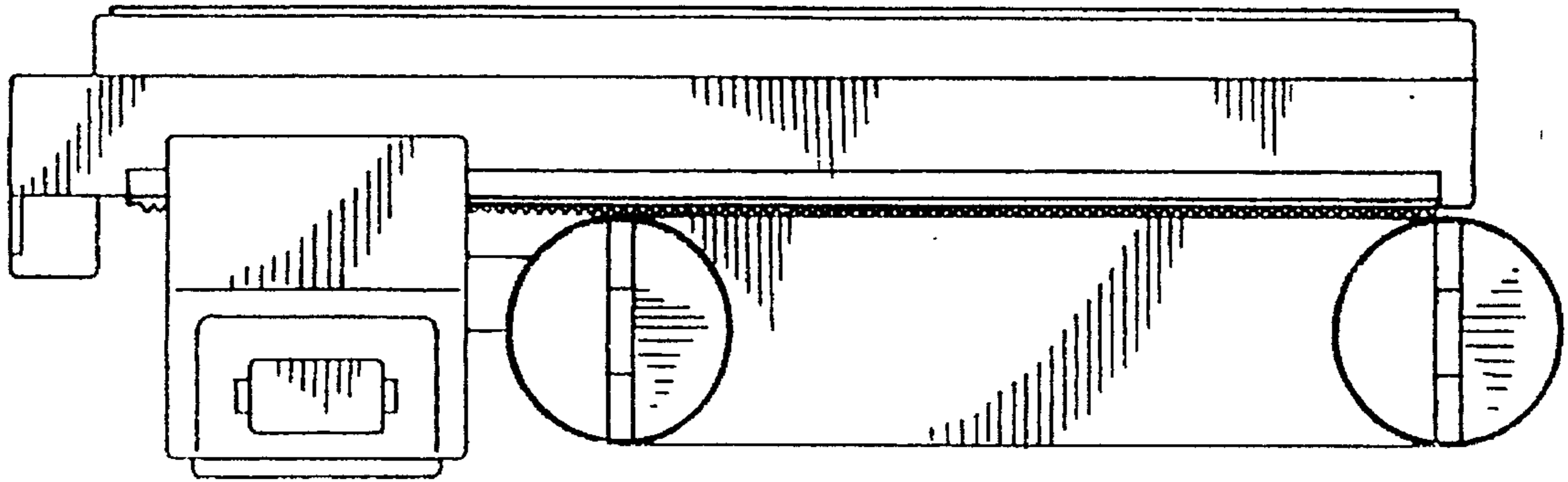


FIG. 2

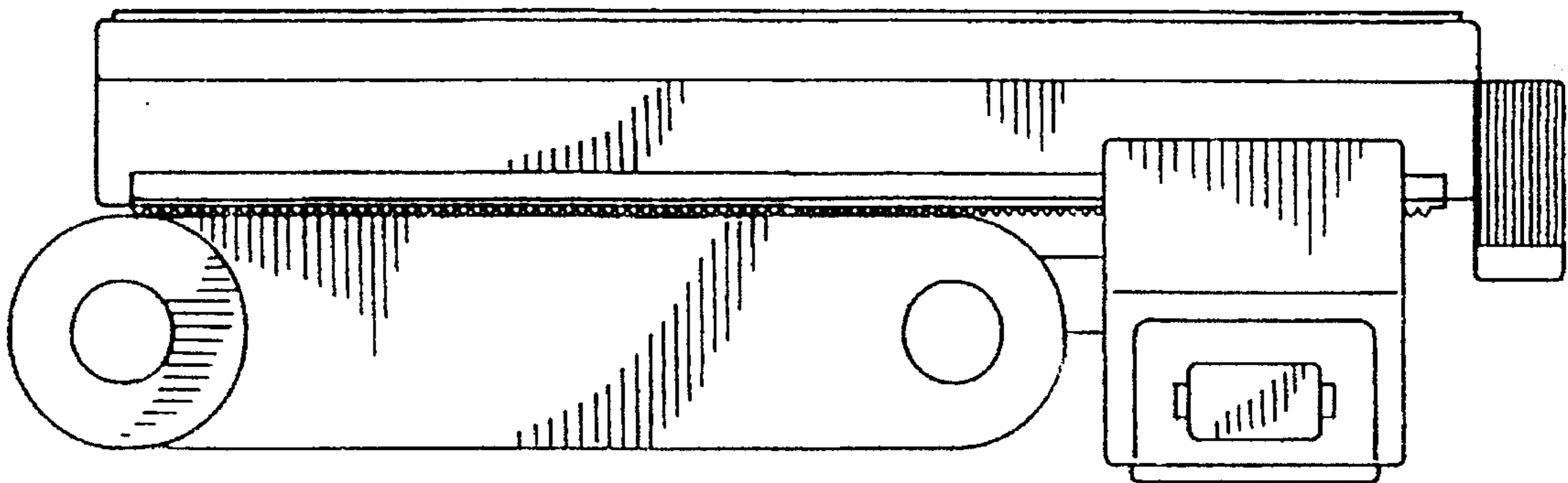


FIG. 3

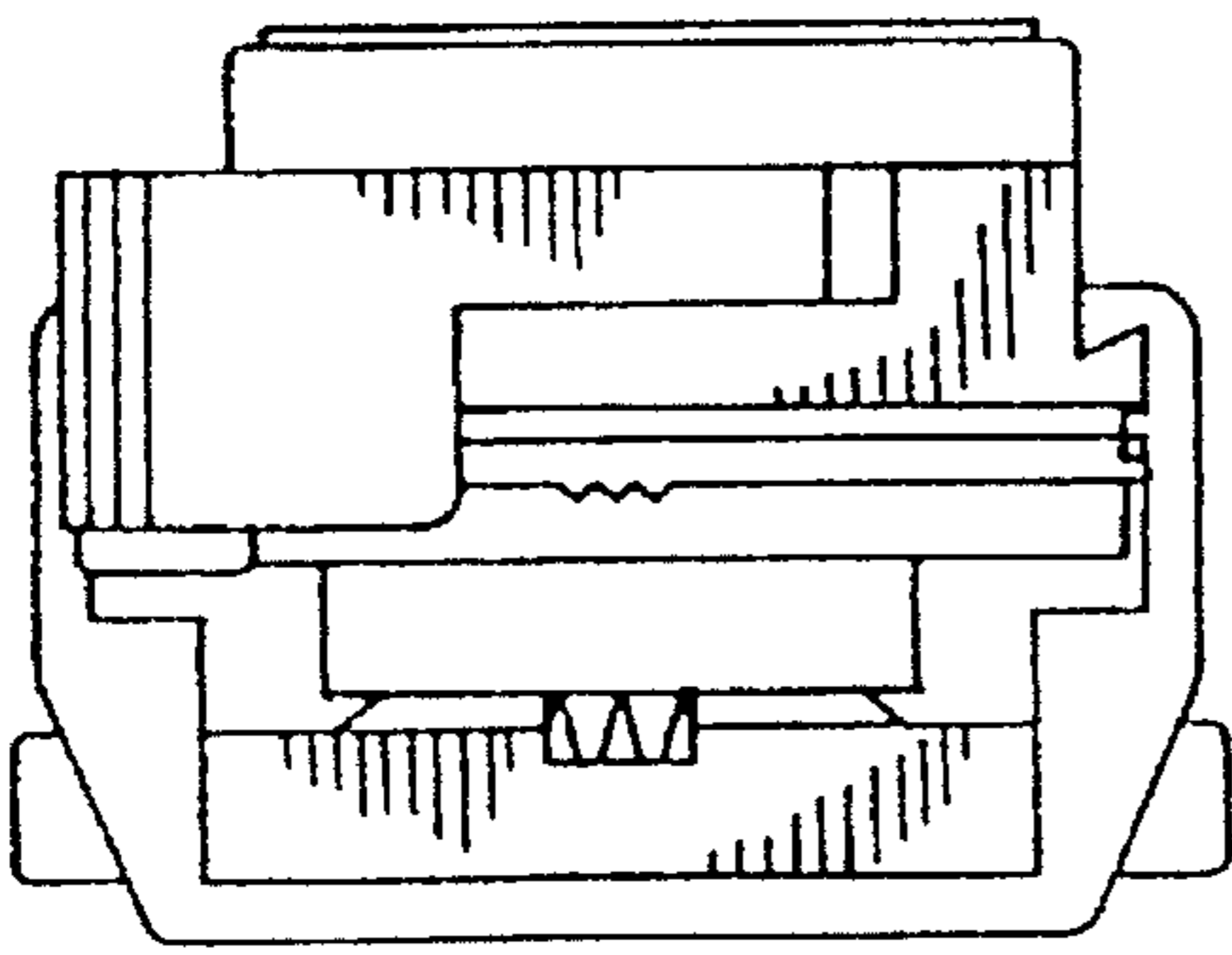


FIG. 4

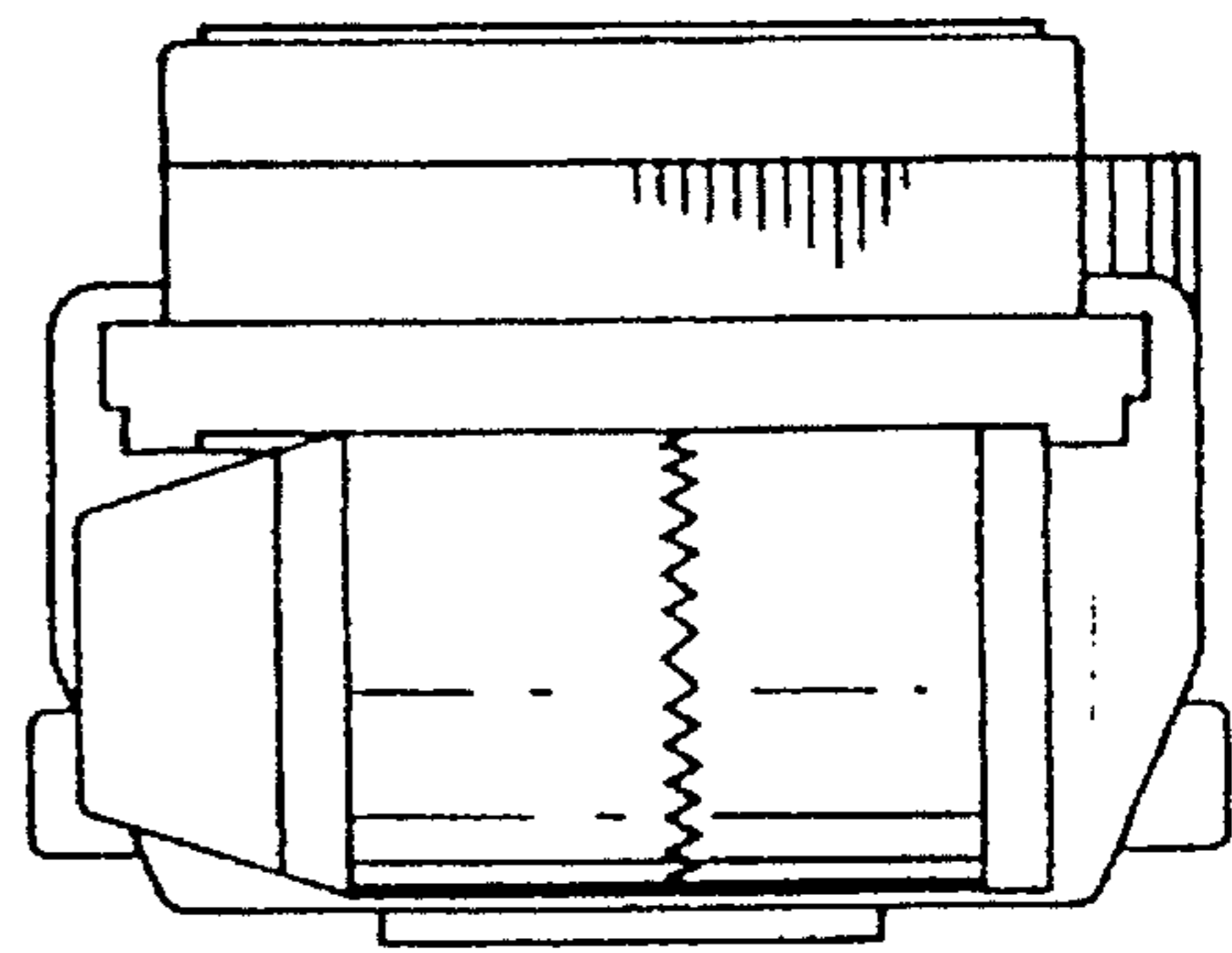


FIG. 5

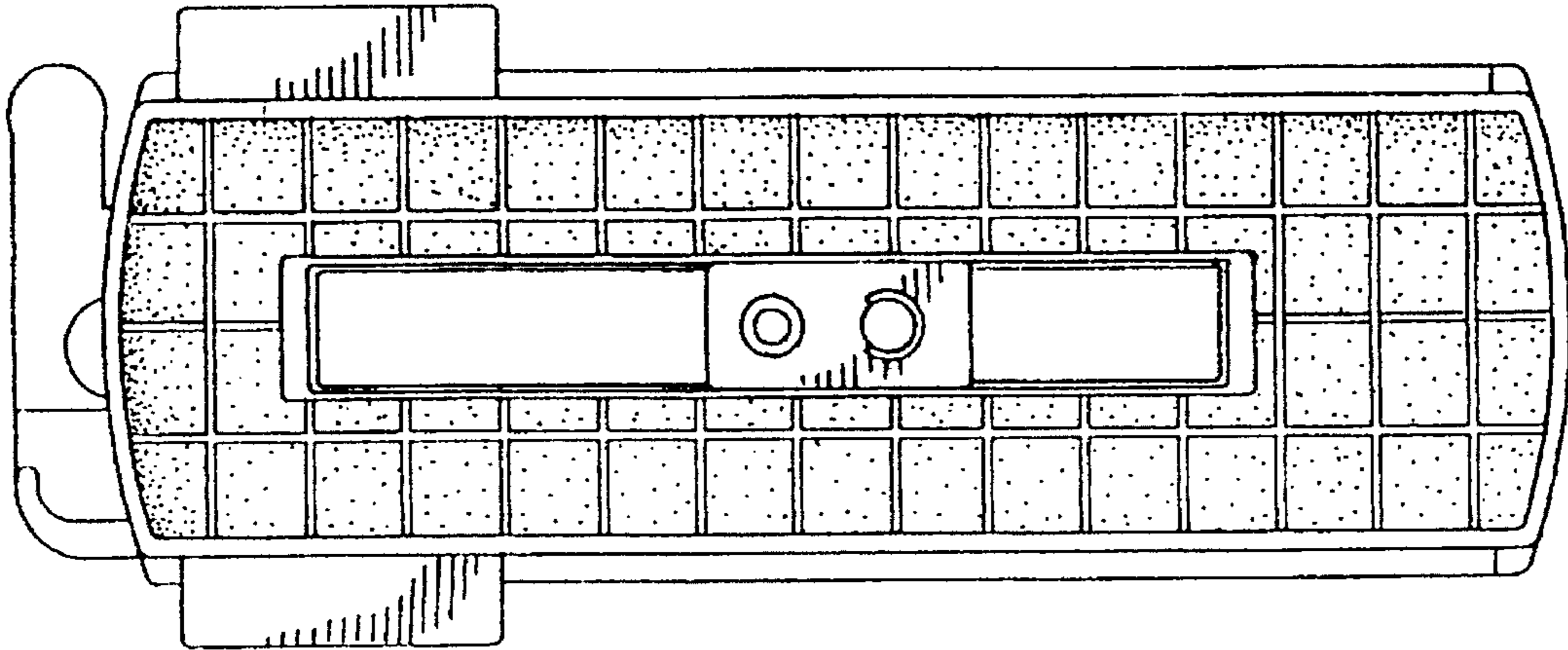


FIG. 6

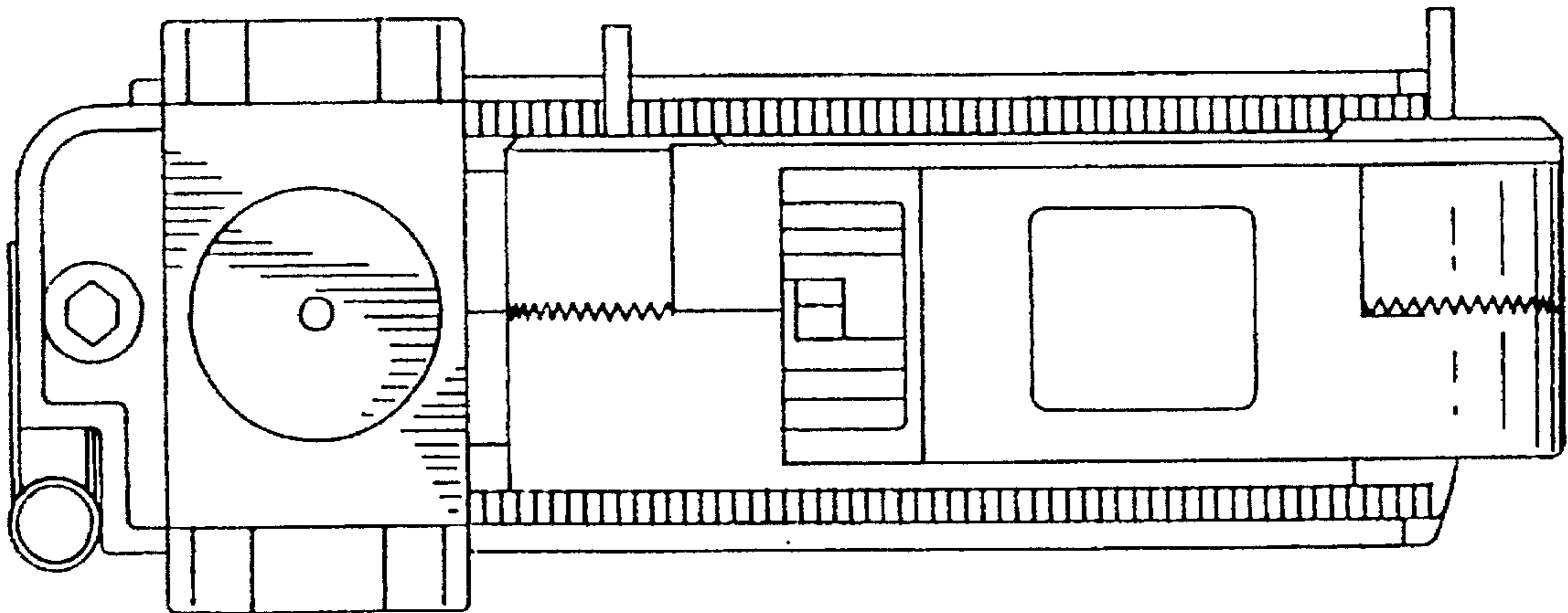


FIG. 7