



US00D376379S

United States Patent [19]

[11] **Patent Number: Des. 376,379**

Eto et al.

[45] **Date of Patent: **Dec. 10, 1996**

[54] **DIGITAL STILL CAMERA**

[75] Inventors: **Masayoshi Eto; Naoki Kato**, both of Tokyo, Japan

[73] Assignee: **NEC Corporation**, Tokyo, Japan

[**] Term: **14 Years**

[21] Appl. No.: **49,280**

[22] Filed: **Jan. 22, 1996**

[30] **Foreign Application Priority Data**

Jul. 27, 1995 [JP] Japan 7-21891

[52] **U.S. Cl.** **D16/218; D16/200**

[58] **Field of Search** **D16/200-205, D16/208, 209, 210, 211, 216-218; 354/83, 126, 149.1, 152, 202, 288**

[56] **References Cited**

PUBLICATIONS

Ricoh brochure "Ricoh DC-1", published prior to Jul. 27, 1995, 8 pp.

Primary Examiner—Ted Shooman

Assistant Examiner—Adir Aronovich
Attorney, Agent, or Firm—Sughrue, Mion, Zinn, Macpeak & Seas

[57] **CLAIM**

The ornamental design for a digital still camera, as shown.

DESCRIPTION

FIG. 1 is a perspective view of the front, top and right side of a digital still camera showing our new design;

FIG. 2 is a front elevational view thereof;

FIG. 3 is a rear elevational view thereof;

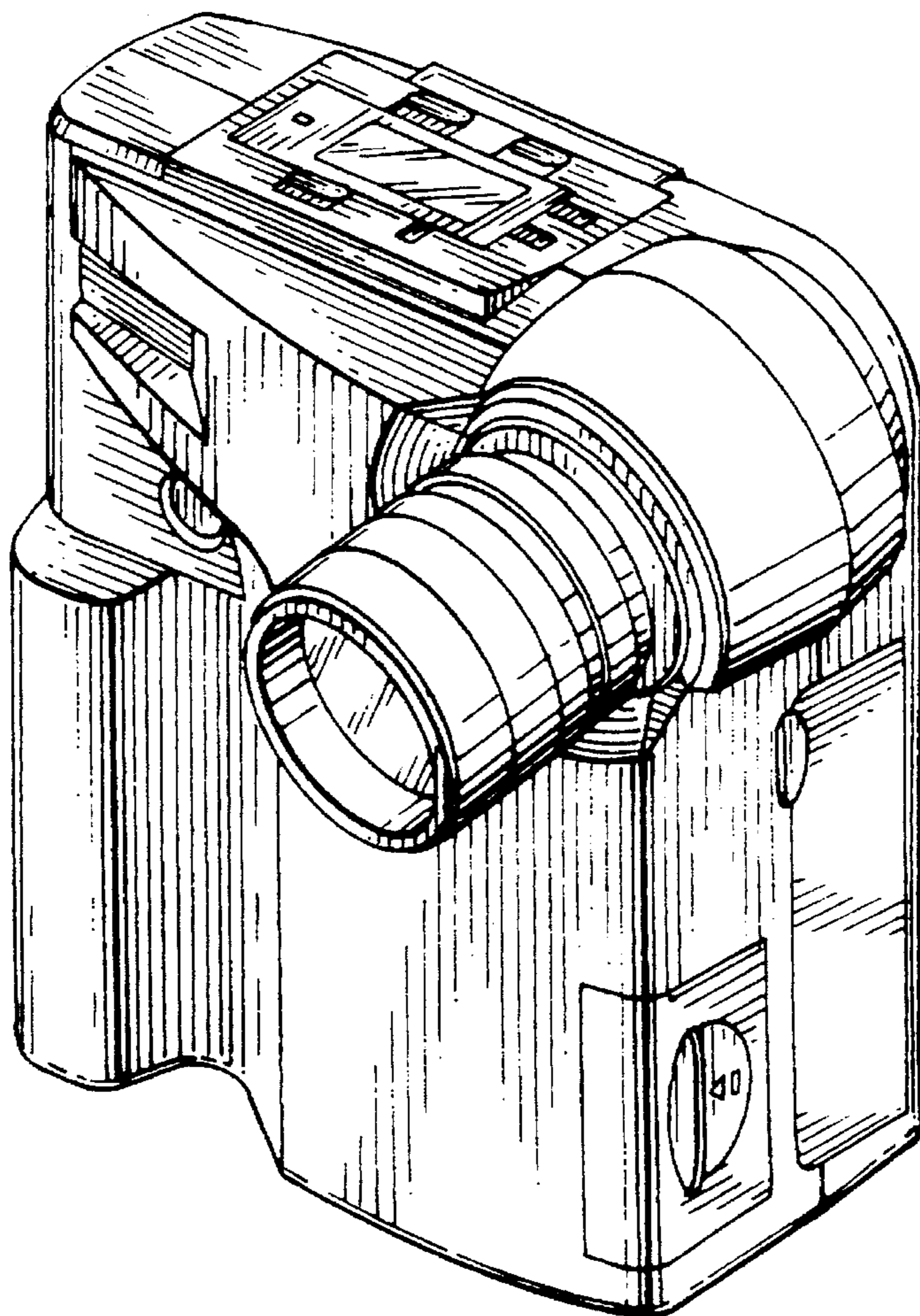
FIG. 4 is a top plan view thereof;

FIG. 5 is a bottom plan view thereof;

FIG. 6 is a right side elevational view thereof; and,

FIG. 7 is a left side elevational view thereof.

1 Claim, 4 Drawing Sheets



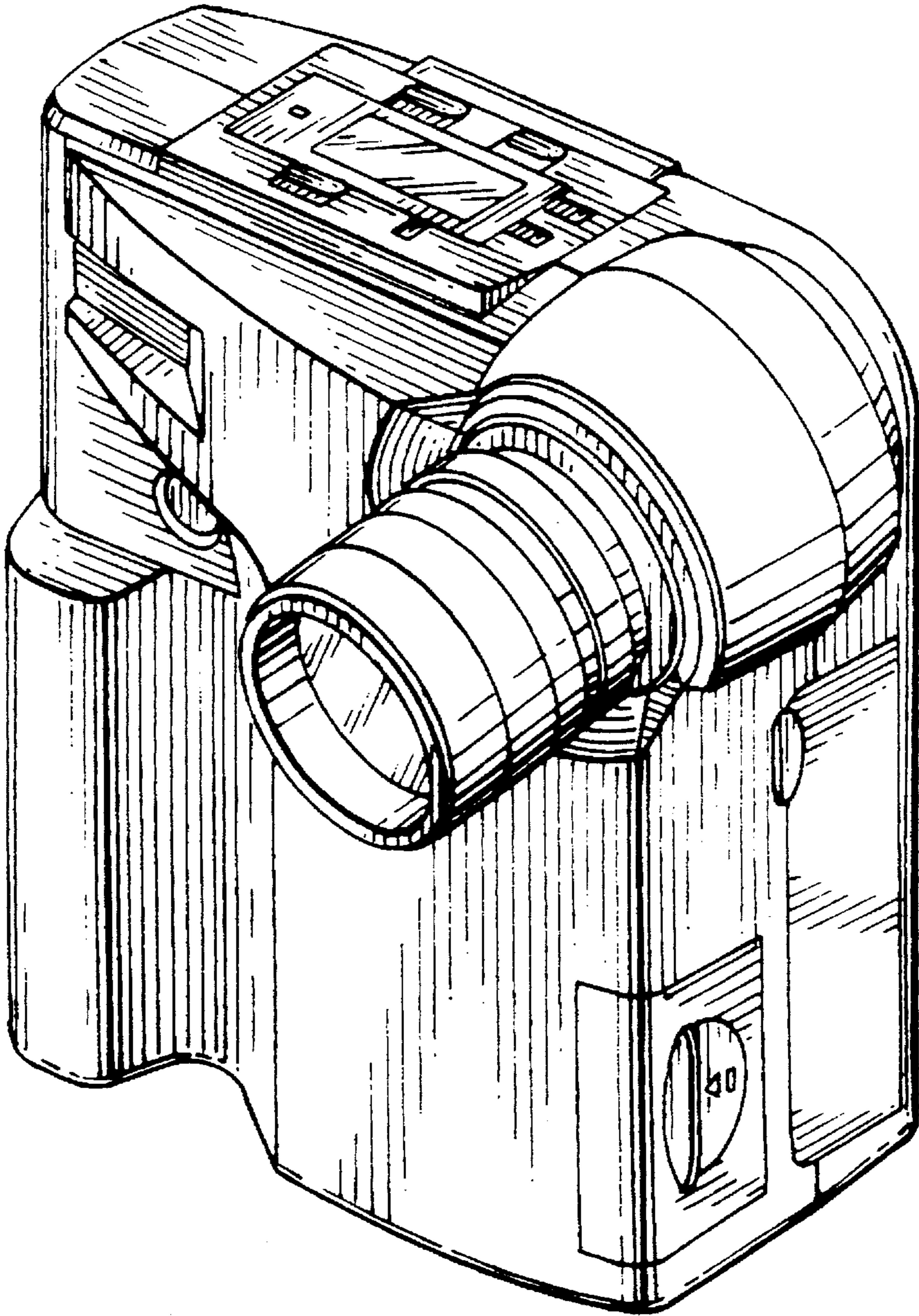


FIG. 1

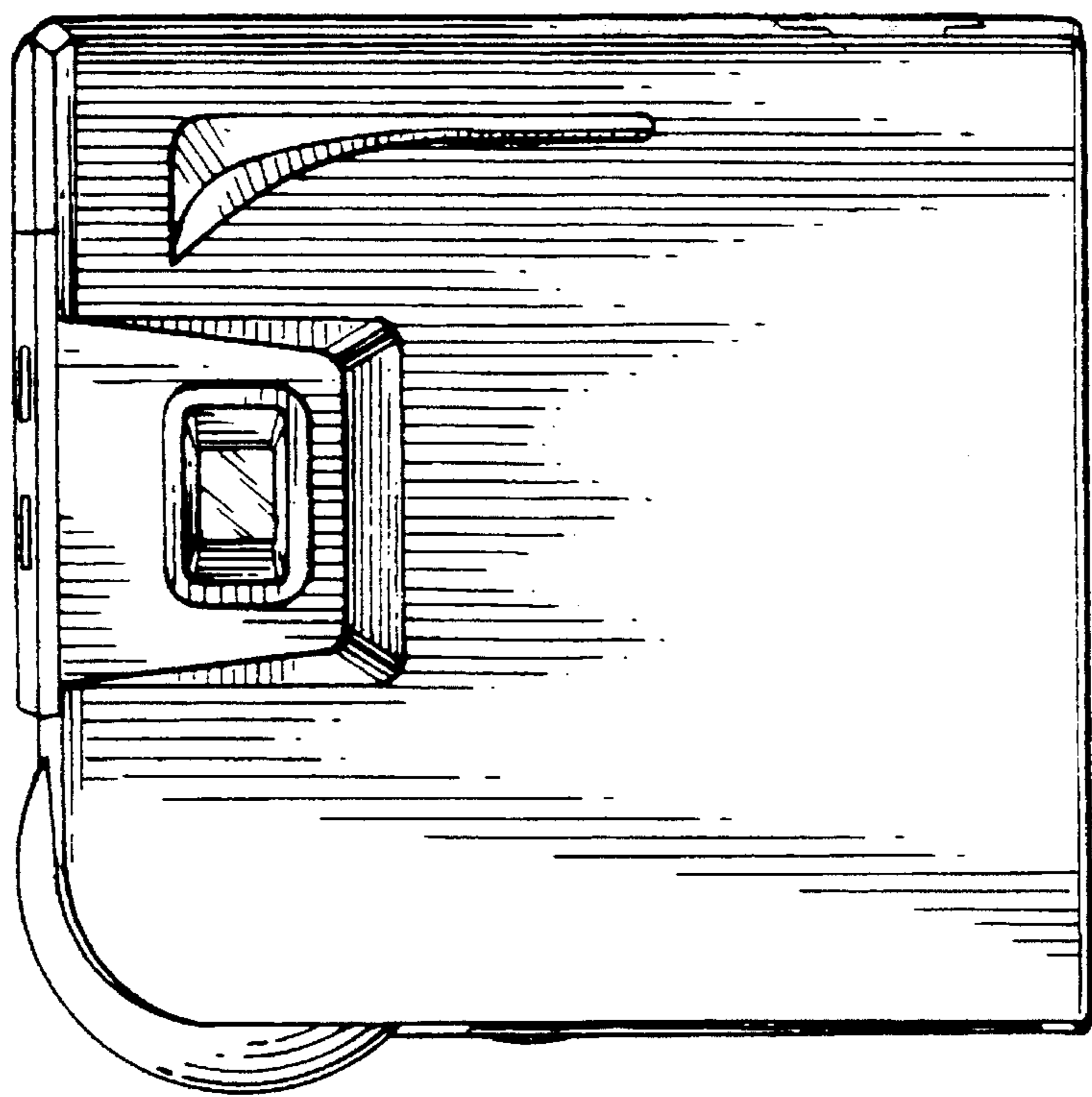


FIG. 3

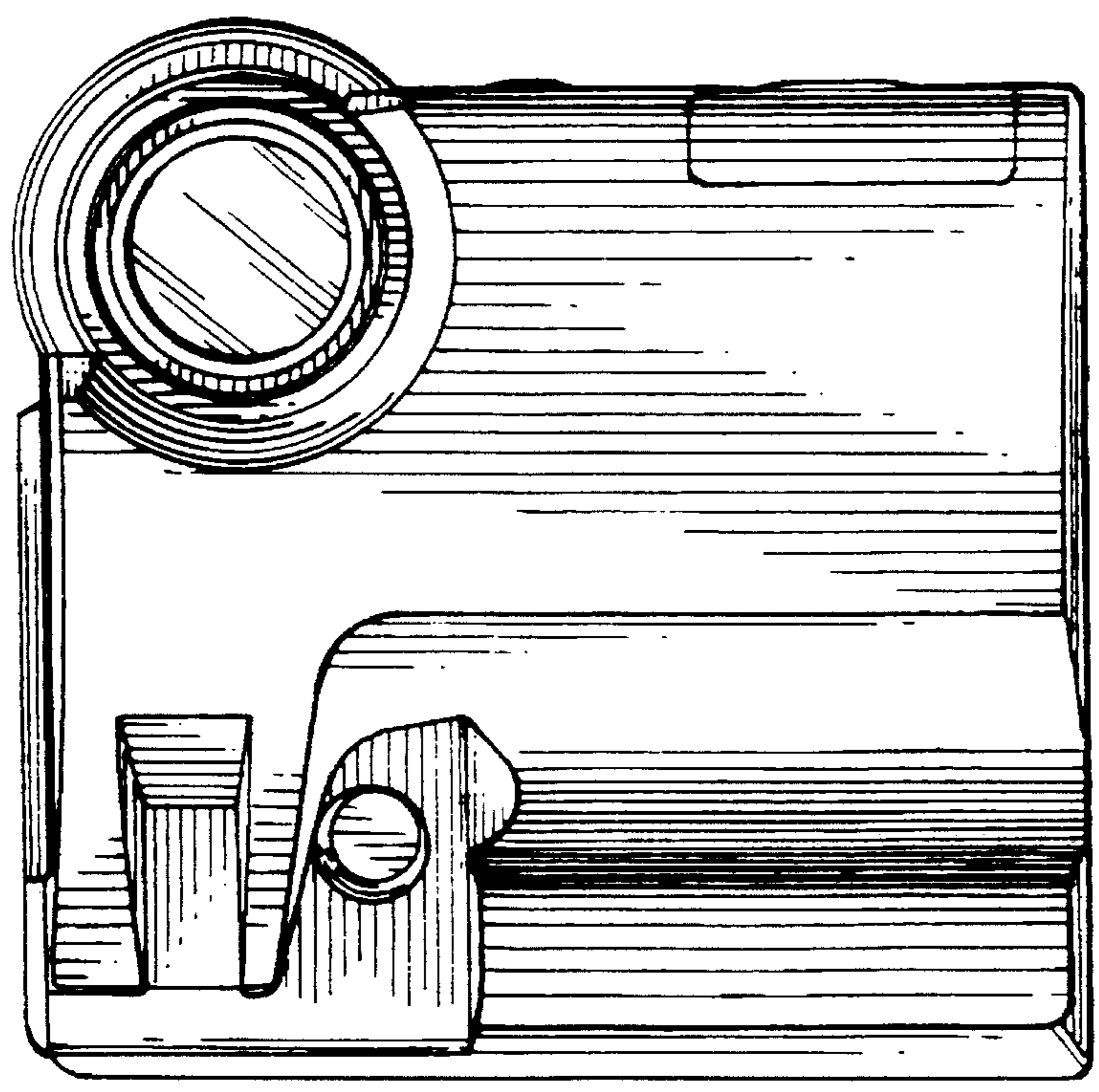


FIG. 2

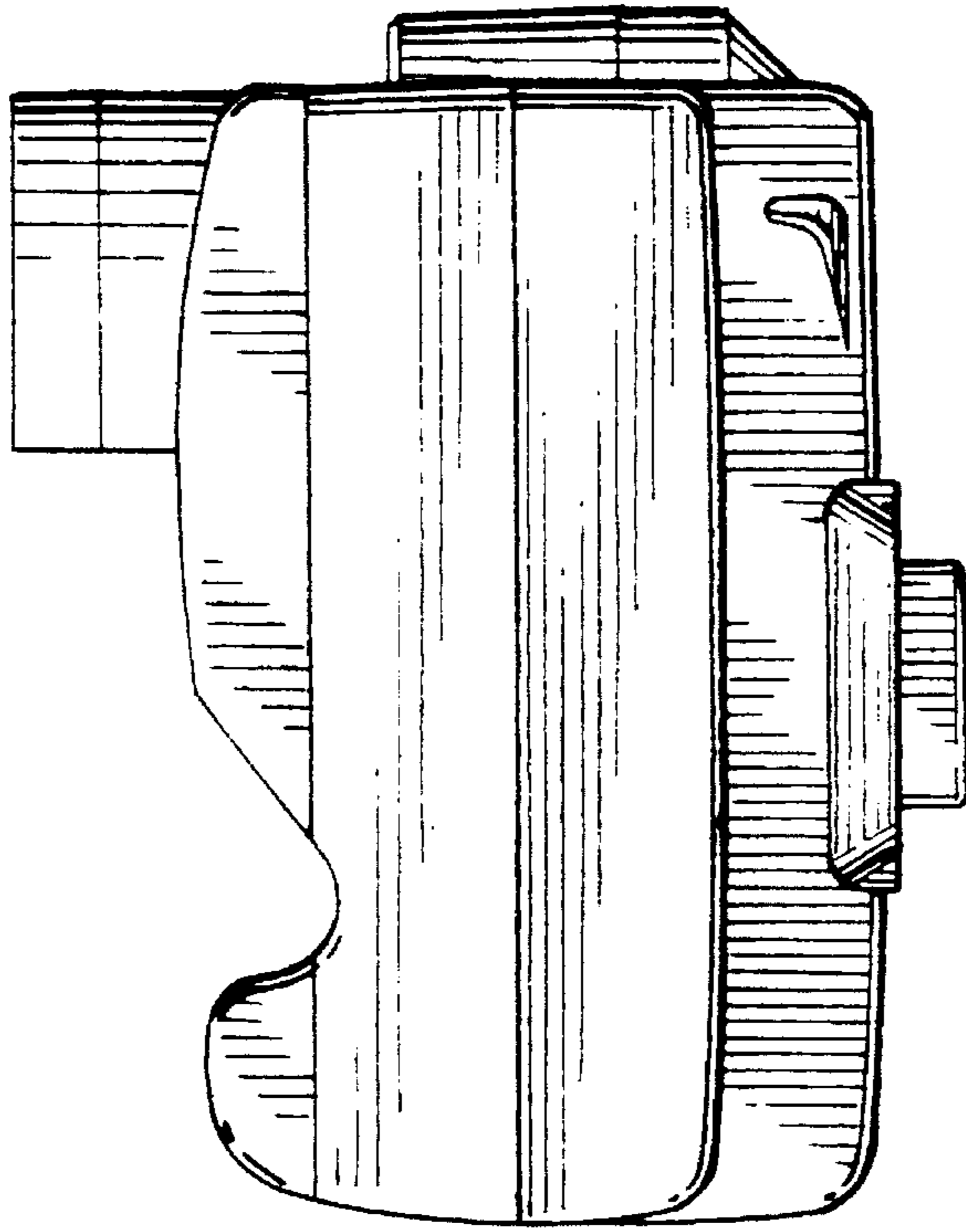


FIG. 5

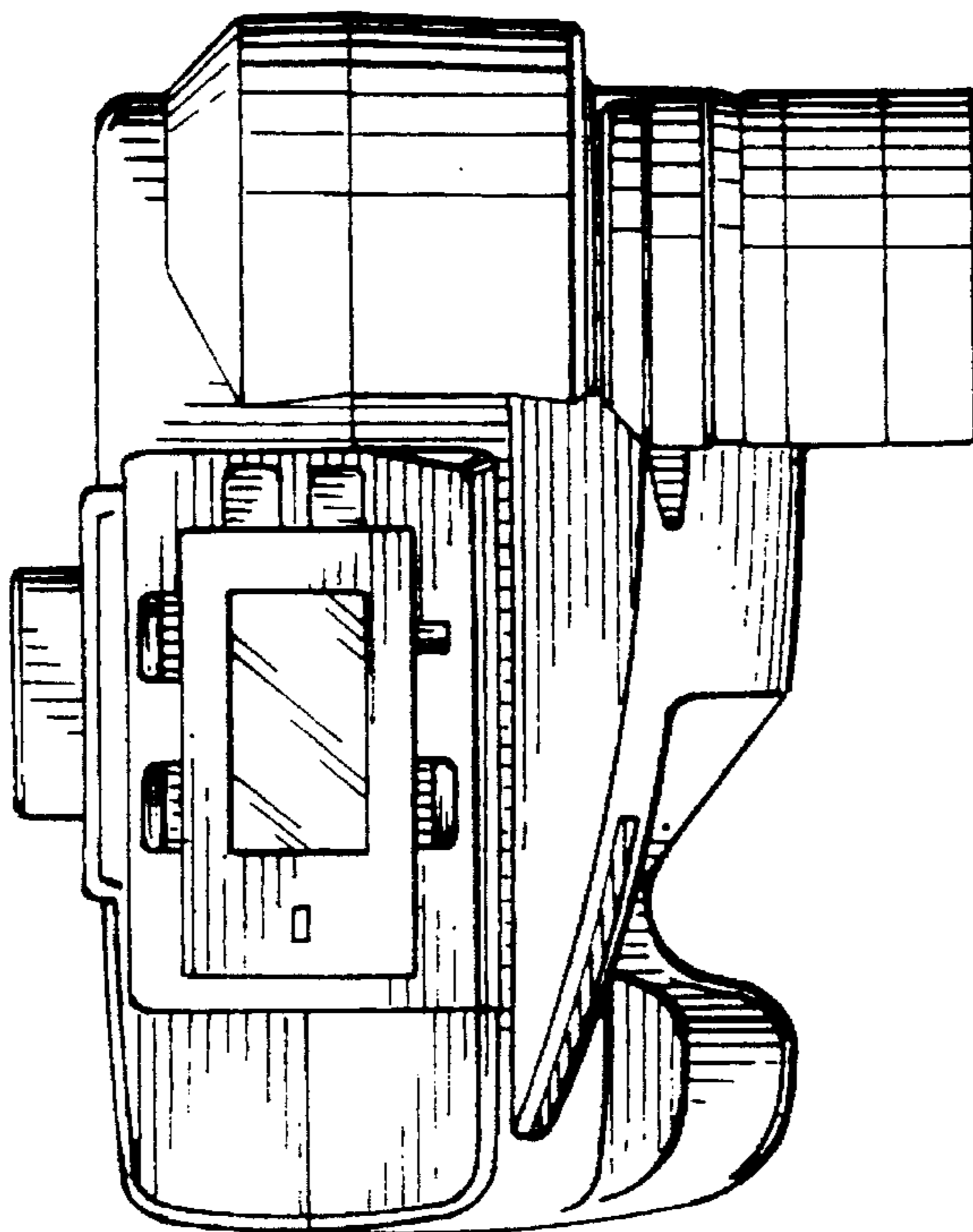


FIG. 4

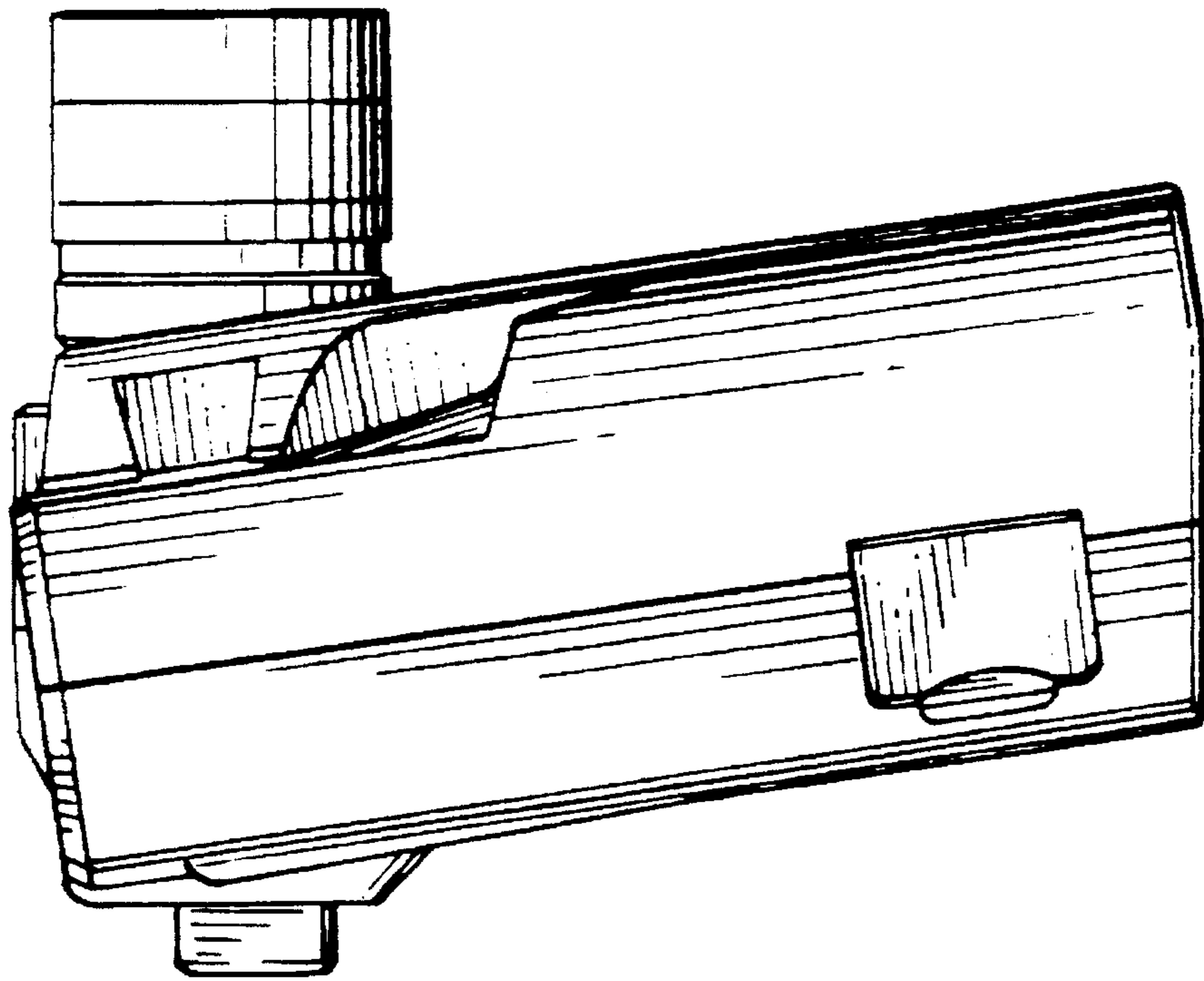


FIG. 7

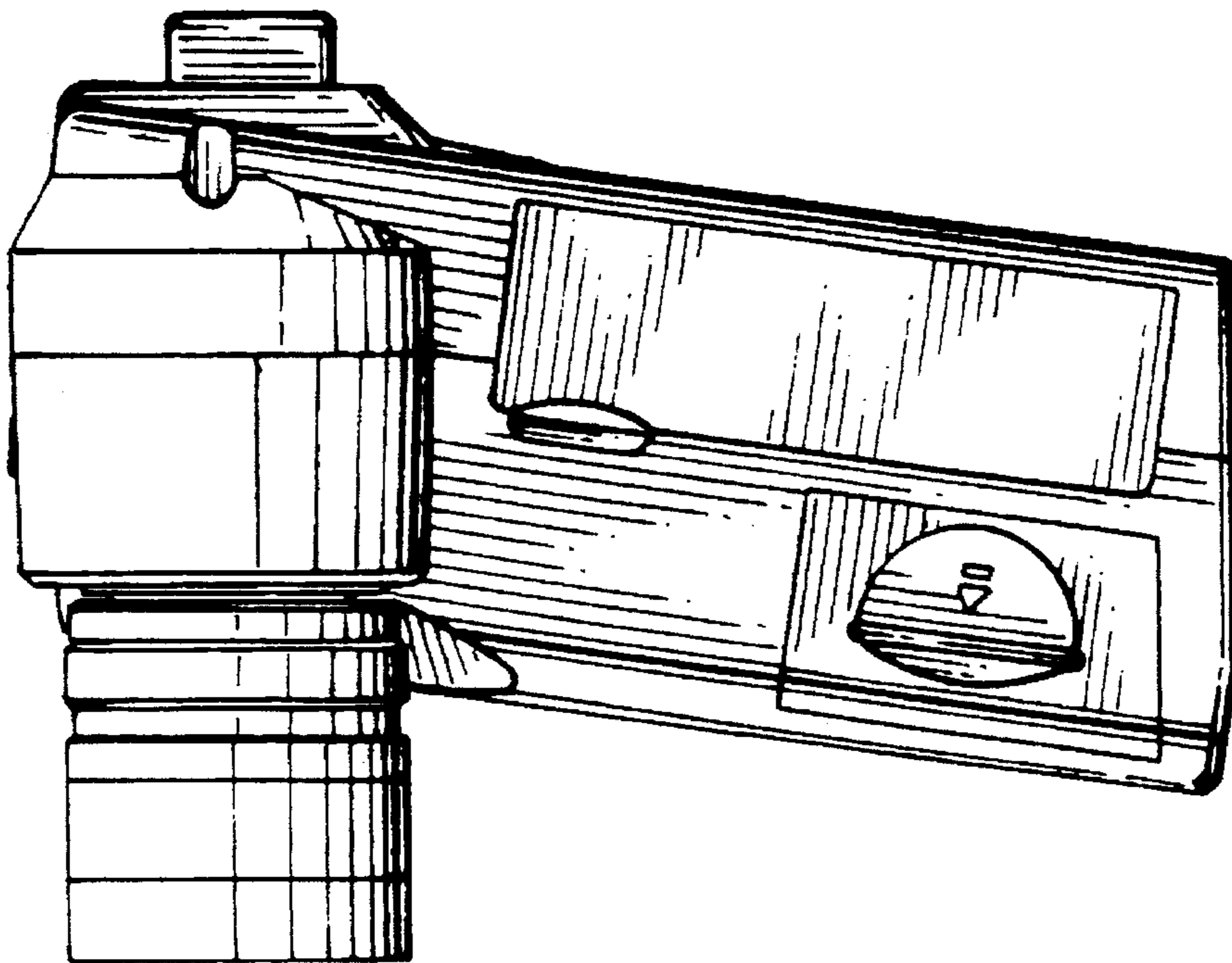


FIG. 6