



US00D376377S

United States Patent [19]

Palmer

[11] Patent Number: **Des. 376,377**

[45] Date of Patent: ****Dec. 10, 1996**

[54] **COMPACT NIGHT VISION DEVICE**

[75] Inventor: **Gary L. Palmer**, Vinton, Va.

[73] Assignee: **ITT Corporation**, New York, N.Y.

[**] Term: **14 Years**

[21] Appl. No.: **37,217**

[22] Filed: **Apr. 6, 1995**

[52] U.S. Cl. **D16/136**; D16/130; D16/132;
D16/134

[58] **Field of Search** D16/130, 134,
D16/136; D22/109, 110; 33/233, 241, 245,
252; 250/330, 333; 350/1.2; 353/74, 142,
241, 149, 251; 354/79; 356/142, 149, 241,
251; 359/353, 382, 383, 384, 399, 405,
409, 400, 407, 412, 410, 413, 415, 419,
430, 480, 802, 803, 804, 805, 810, 811,
424, 428; 362/110, 259

[56] **References Cited**

U.S. PATENT DOCUMENTS

D. 141,692 6/1945 Nemeth D16/136

D. 295,871 5/1983 Charles D16/130
4,373,811 2/1983 Jones 356/241
4,639,099 1/1987 Tanaka et al. 359/407 X

FOREIGN PATENT DOCUMENTS

374838 3/1964 Switzerland 1.359/399

Primary Examiner—Louis S. Zarfes

Assistant Examiner—Monica A. Hannon

Attorney, Agent, or Firm—Plevy & Associates; Patrick M. Hogan

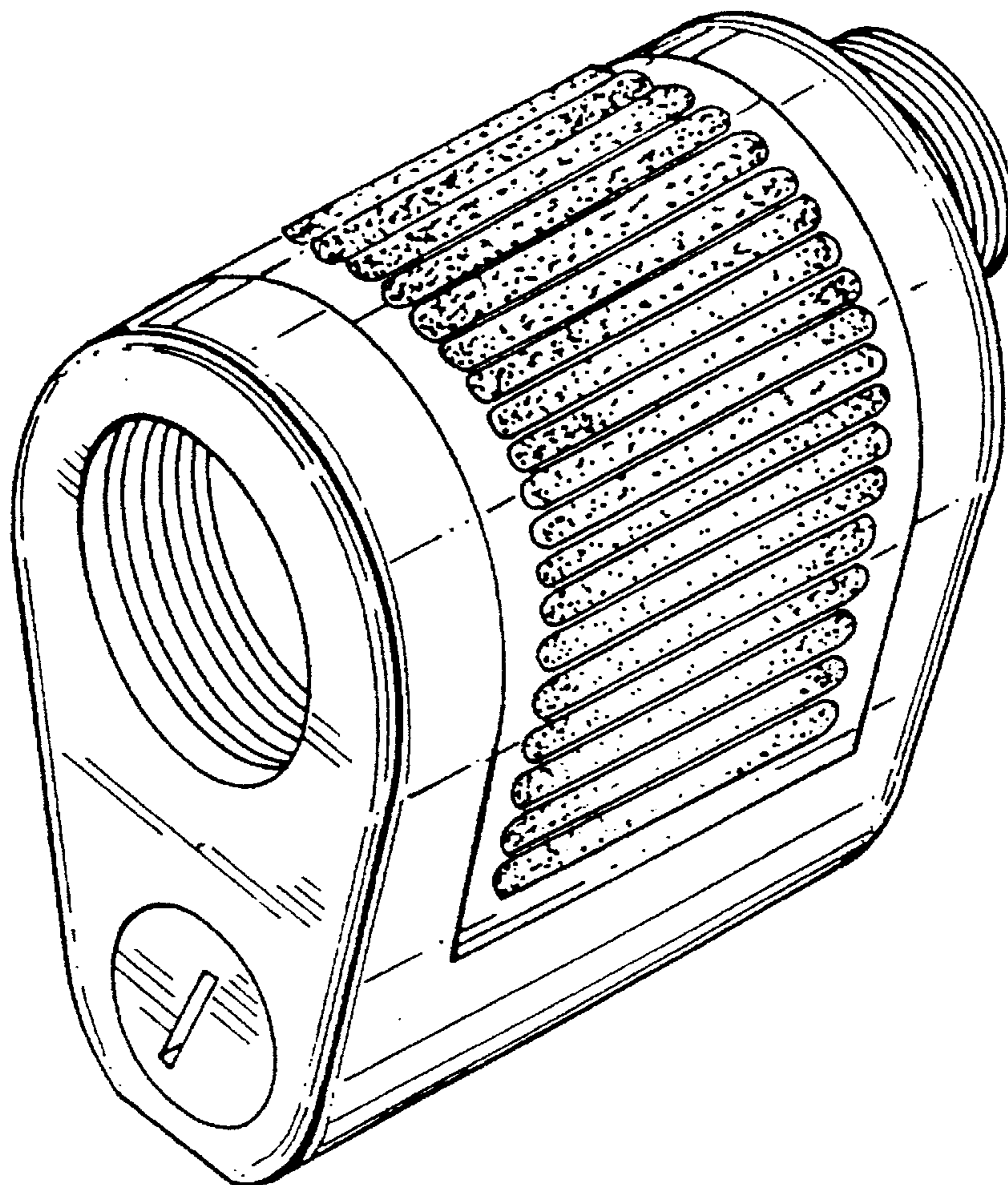
[57] CLAIM

The ornamental design for compact night vision device, as shown and described.

DESCRIPTION

FIG. 1 is a perspective thereof;
FIG. 2 is a front view thereof;
FIG. 3 is a rear view thereof;
FIG. 4 is a top thereto;
FIG. 5 is a bottom view thereto; and,
FIG. 6 is a right side view thereof; the left side view being a mirror image of FIG. 6.

1 Claim, 4 Drawing Sheets



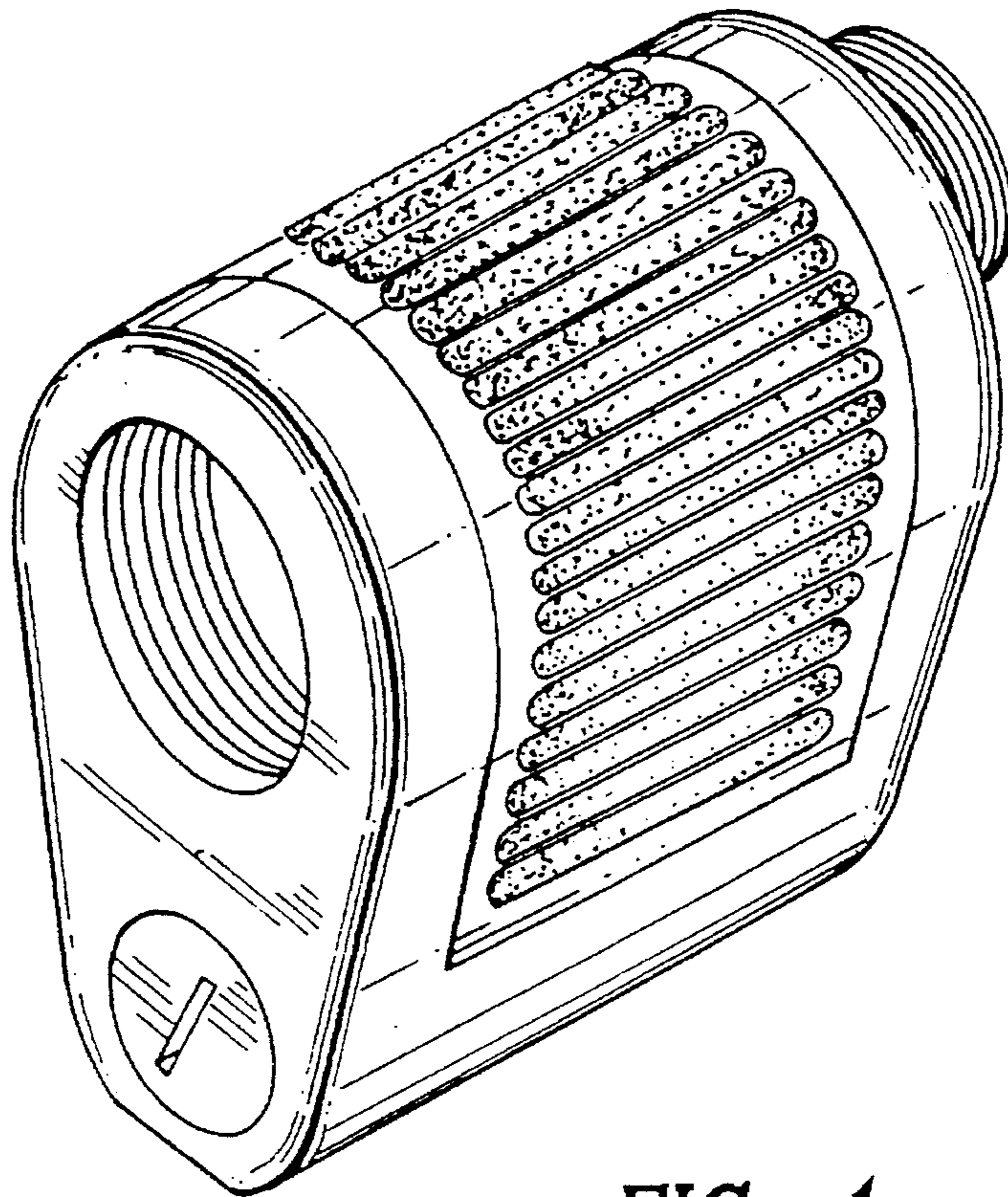


FIG. 1

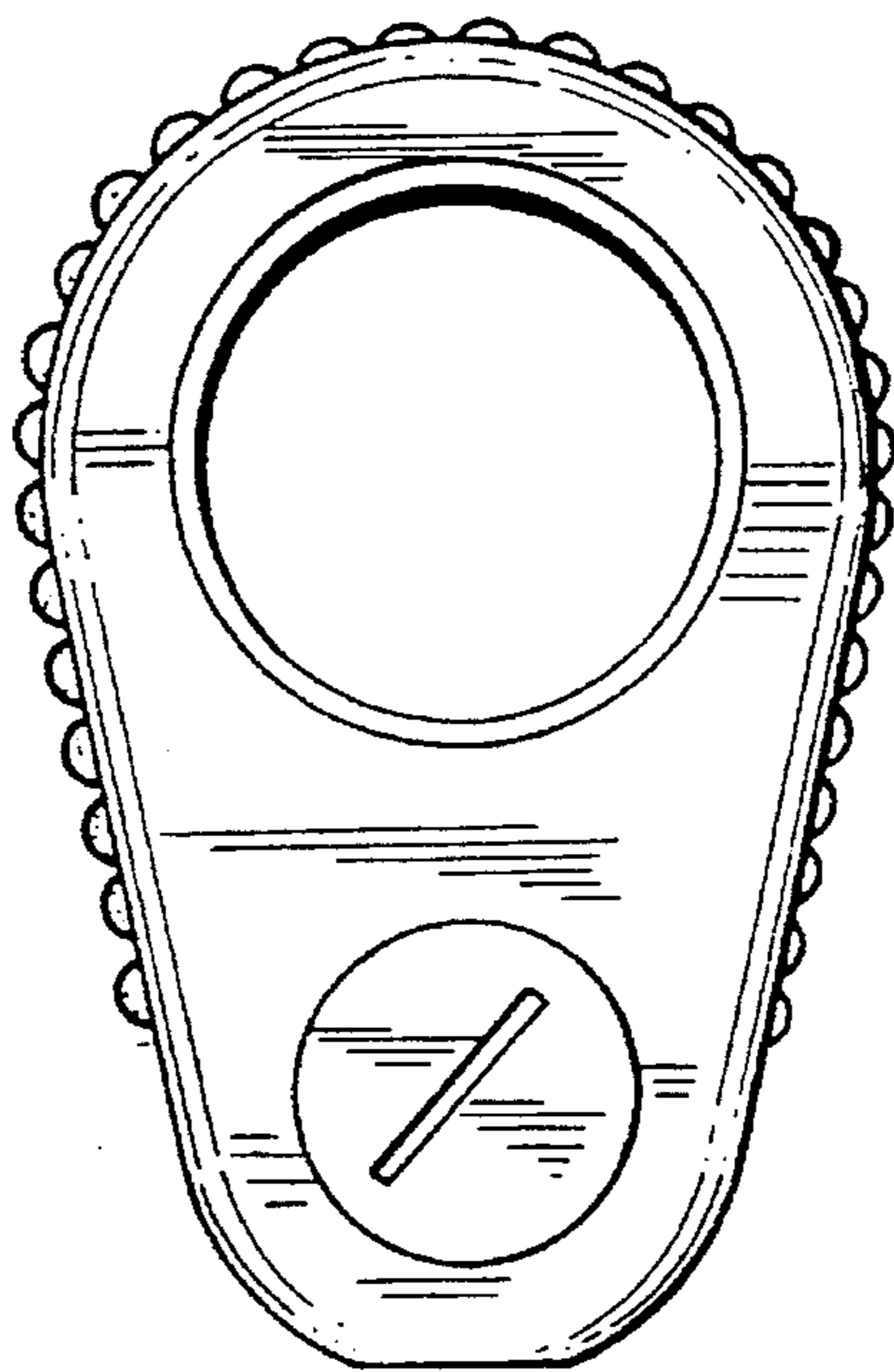


FIG. 2

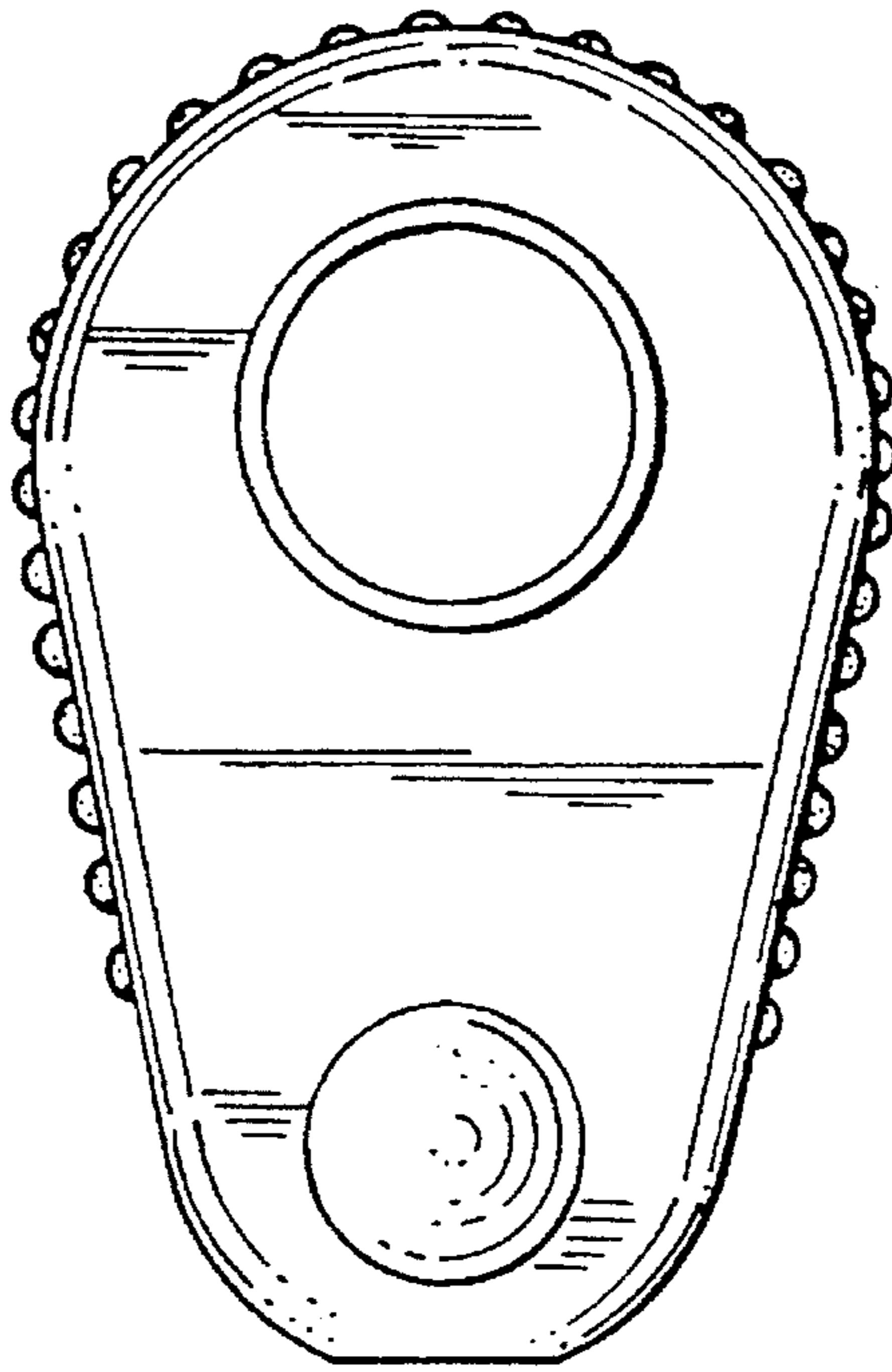


FIG. 3

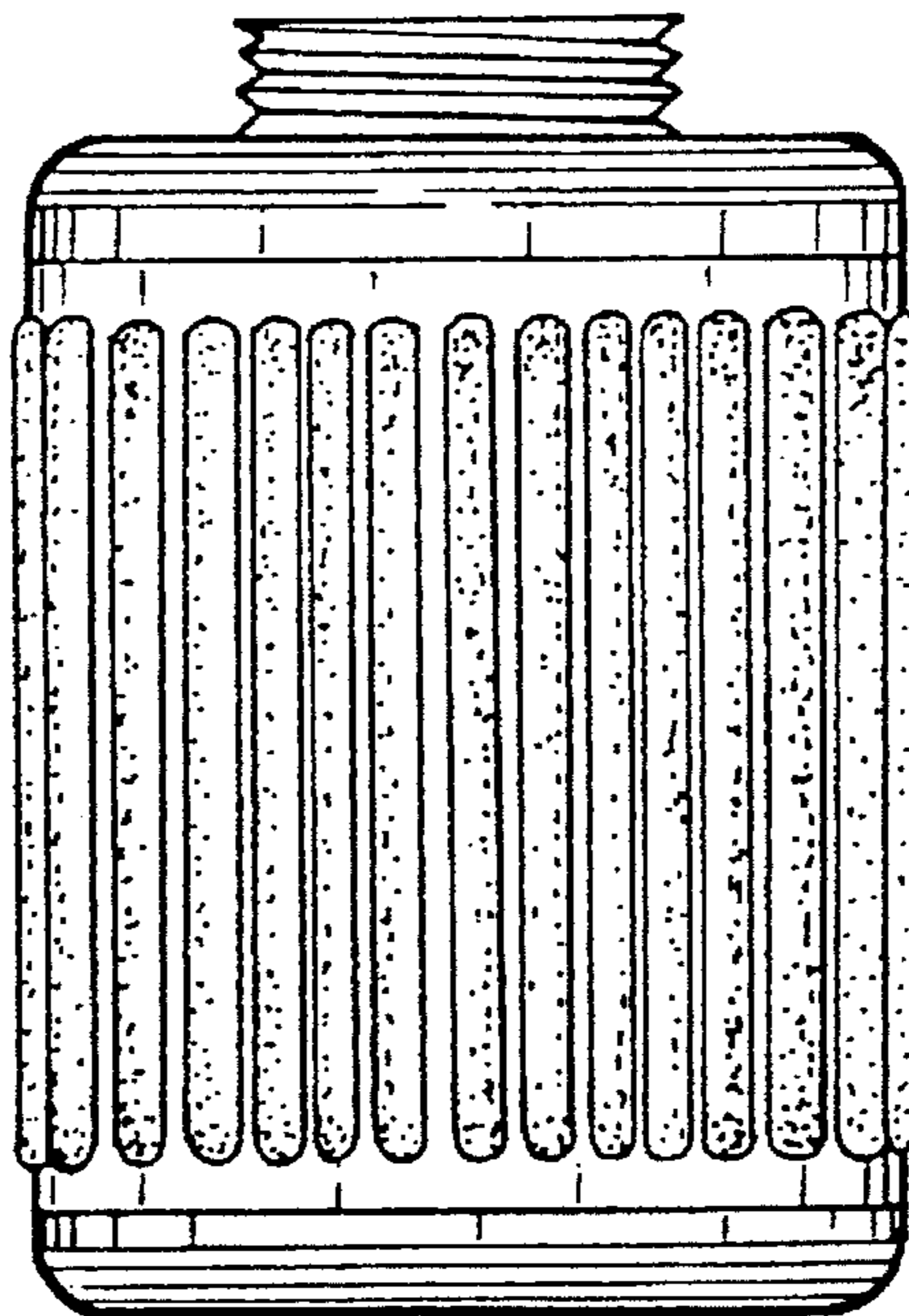


FIG. 4

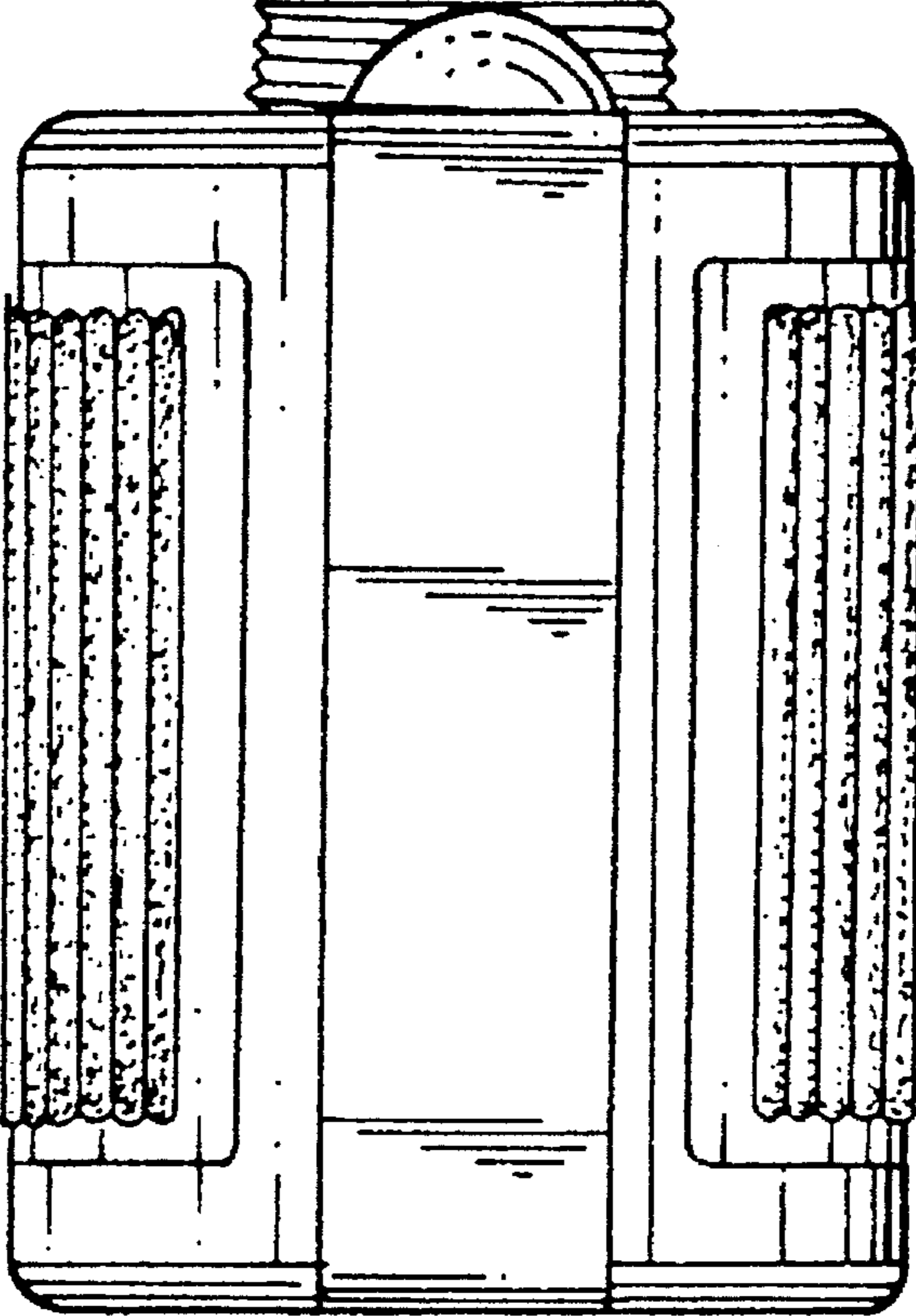


FIG. 5

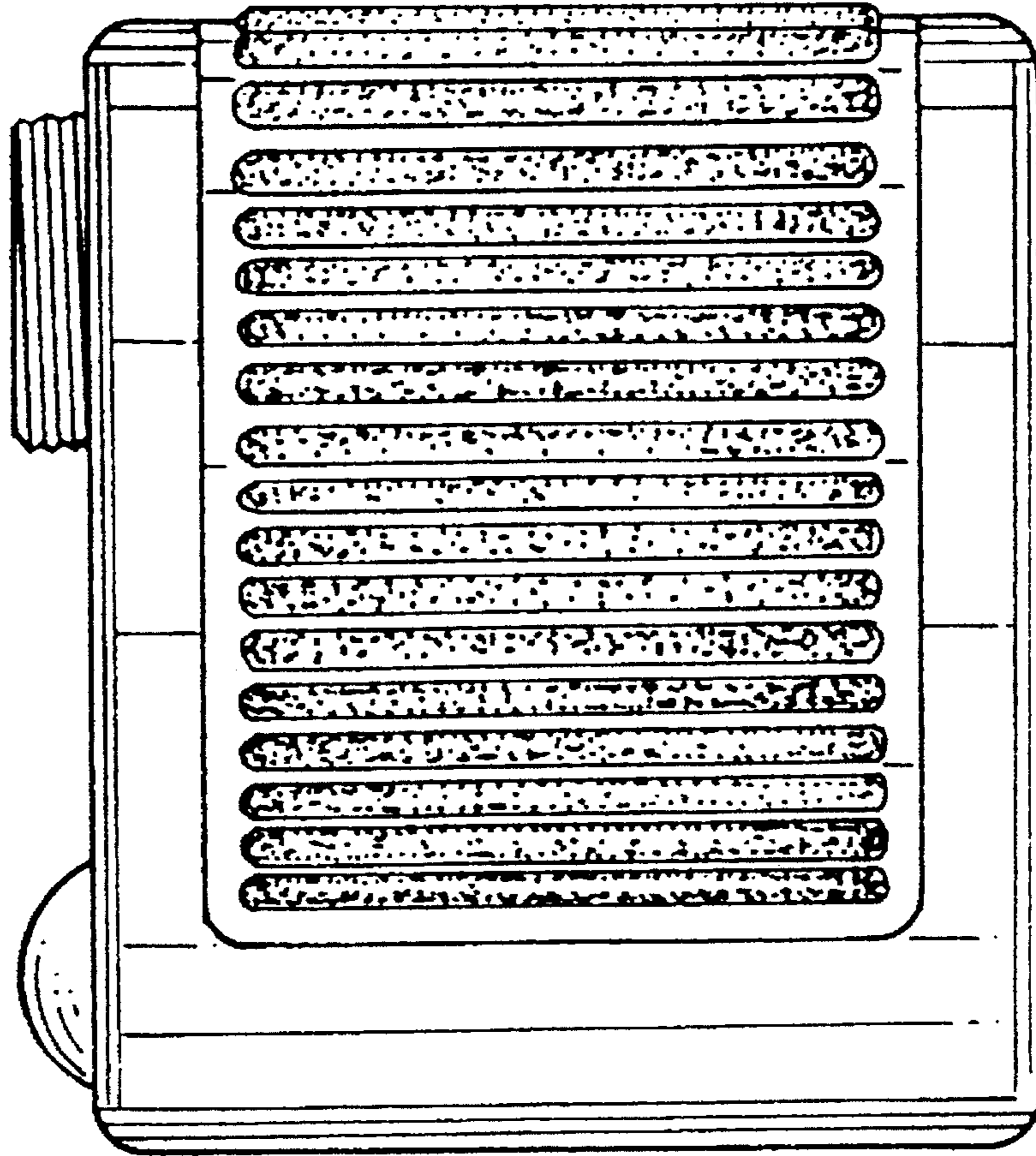


FIG. 6