



US00D376376S

**United States Patent** [19]

[11] **Patent Number: Des. 376,376**

**Tourigny et al.**

[45] **Date of Patent: \*\*Dec. 10, 1996**

[54] **RADIAL SPRAY VALVE**

*Primary Examiner*—Antoine Duval Davis  
*Attorney, Agent, or Firm*—Salter & Michaelson

[75] Inventors: **Robert P. Tourigny; Jeff Thompson,**  
both of Smithfield, R.I.

[57] **CLAIM**

[73] Assignee: **Electron Fusion Devices, Inc.,** East  
Providence, R.I.

The ornamental design for a radial spray valve, as shown  
and described.

[\*\*] Term: **14 Years**

**DESCRIPTION**

[21] Appl. No.: **39,026**

[22] Filed: **May 19, 1995**

[52] U.S. Cl. .... **D15/199**

[58] **Field of Search** ..... D15/199; D23/233,  
D23/247, 248; 137/38, 495, 510; 222/402.19;  
239/456, 506, DIG. 1, DIG. 4; 251/63,  
63.5, 63.6, 50, 54, 83, 100

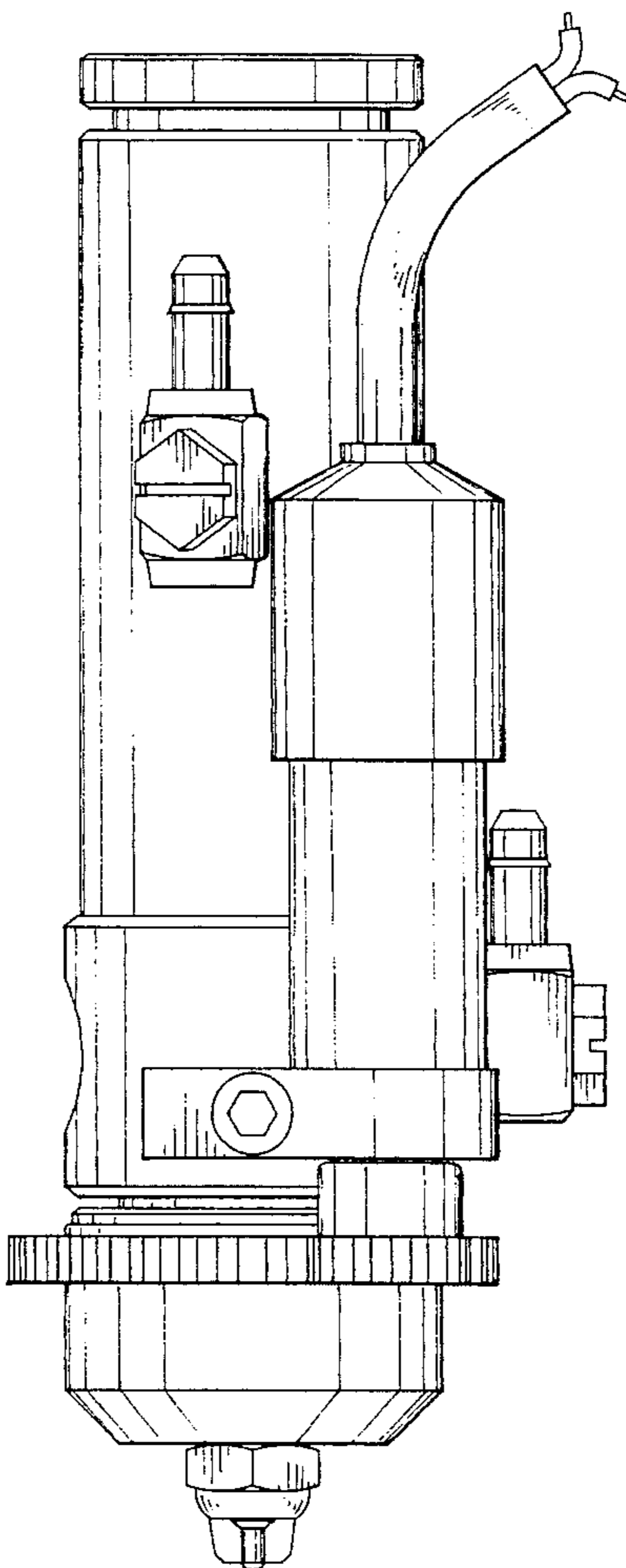
FIG. 1 is a front elevational view of a radial spray valve showing a preferred embodiment of our new design; FIG. 2 is a rear elevational view thereof; FIG. 3 is a left side elevational view thereof; FIG. 4 is a right side elevational view thereof; FIG. 5 is a top plan view thereof; FIG. 6 is a bottom plan view thereof; and, FIG. 7 is a front elevational view of another preferred embodiment of our new design, the embodiment of FIG. 7 being identically constructed as the embodiment illustrated in FIGS. 1-6 except for the provision of an elongated cylindrical lower portion of the embodiment of FIG. 7 replacing the shorter cylindrical lower portion of the embodiment of FIGS. 1-6, the remaining views of the embodiment illustrated in FIG. 7 being substantially identical as the embodiment illustrated in FIGS. 1-6 except for the lower portion thereof.

[56] **References Cited**

**U.S. PATENT DOCUMENTS**

3,401,060	9/1968	Watts .	
4,514,443	4/1985	Kostecki .	
5,201,466	4/1993	Hynds .	
5,215,254	6/1993	Haruch .....	239/456 X
5,246,165	9/1993	De Matthaes et al. ....	239/DIG. 4 X
5,265,800	11/1993	Ziecker et al. ....	239/DIG. 4 X

**1 Claim, 4 Drawing Sheets**



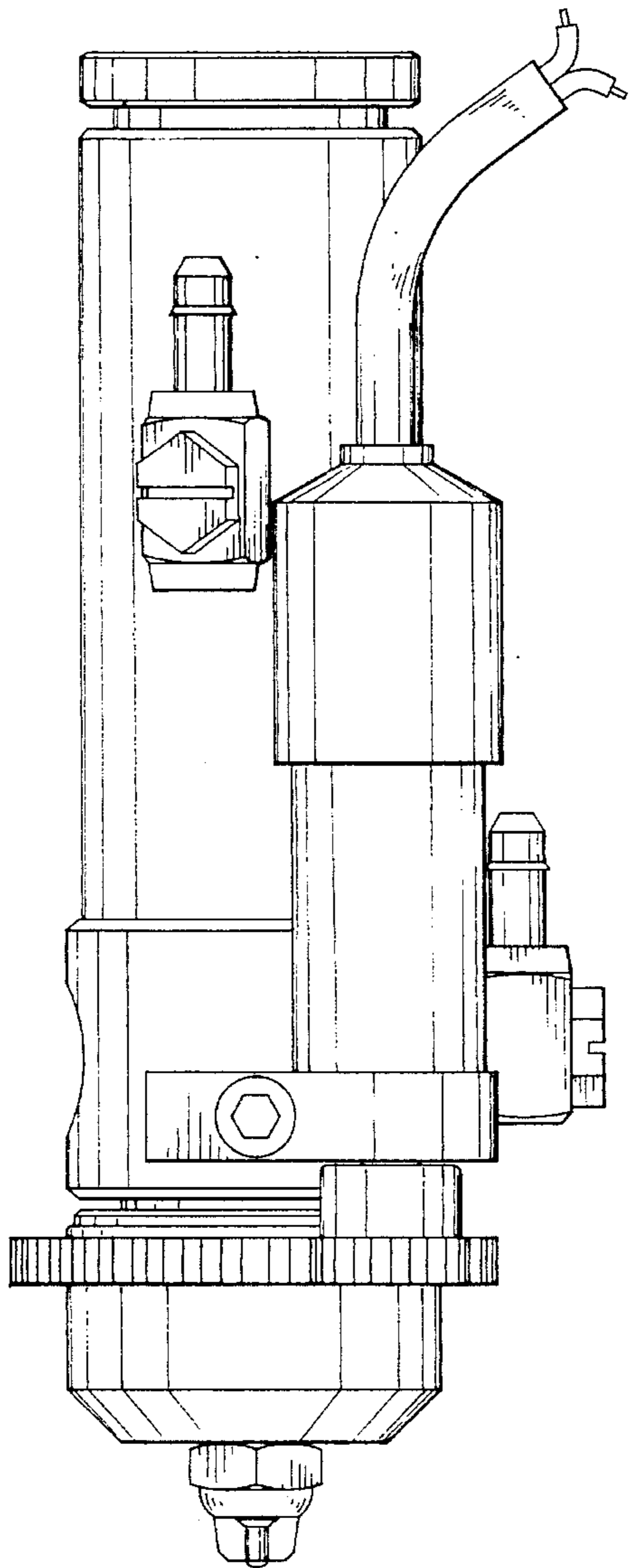


FIG. 1

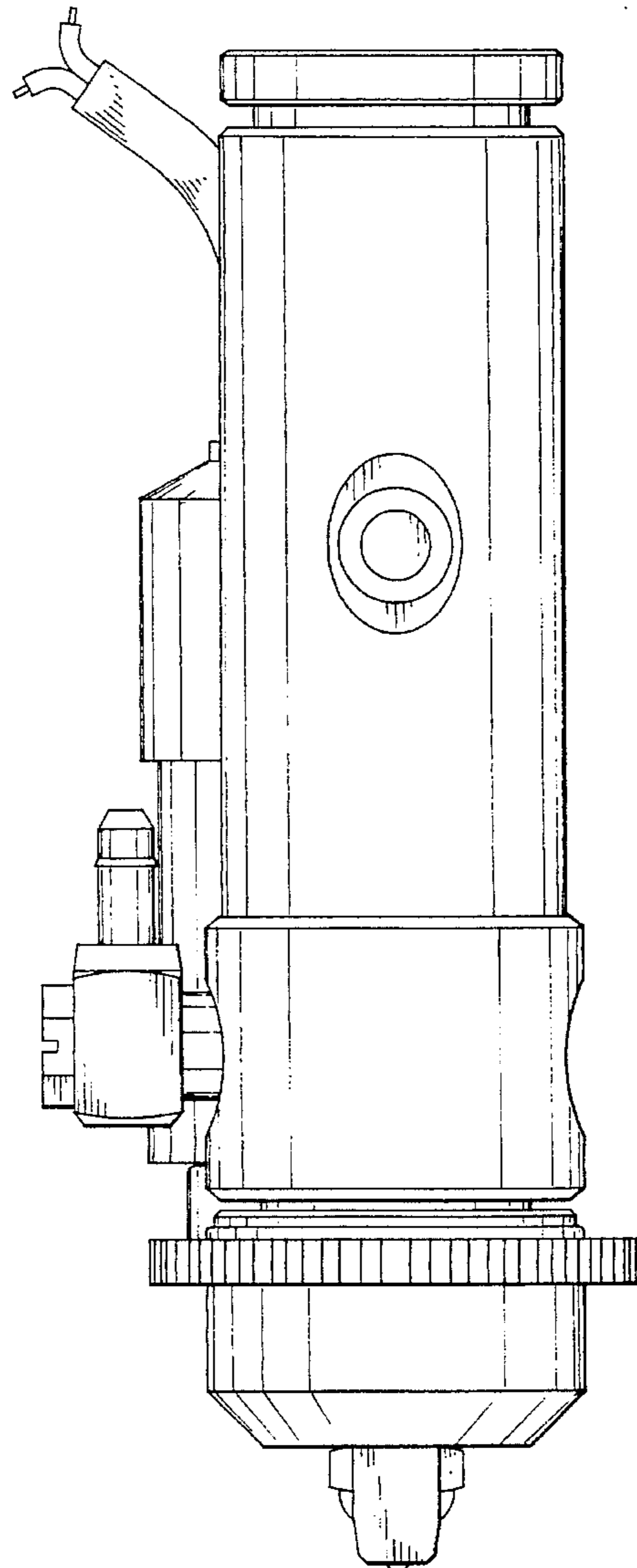


FIG. 2

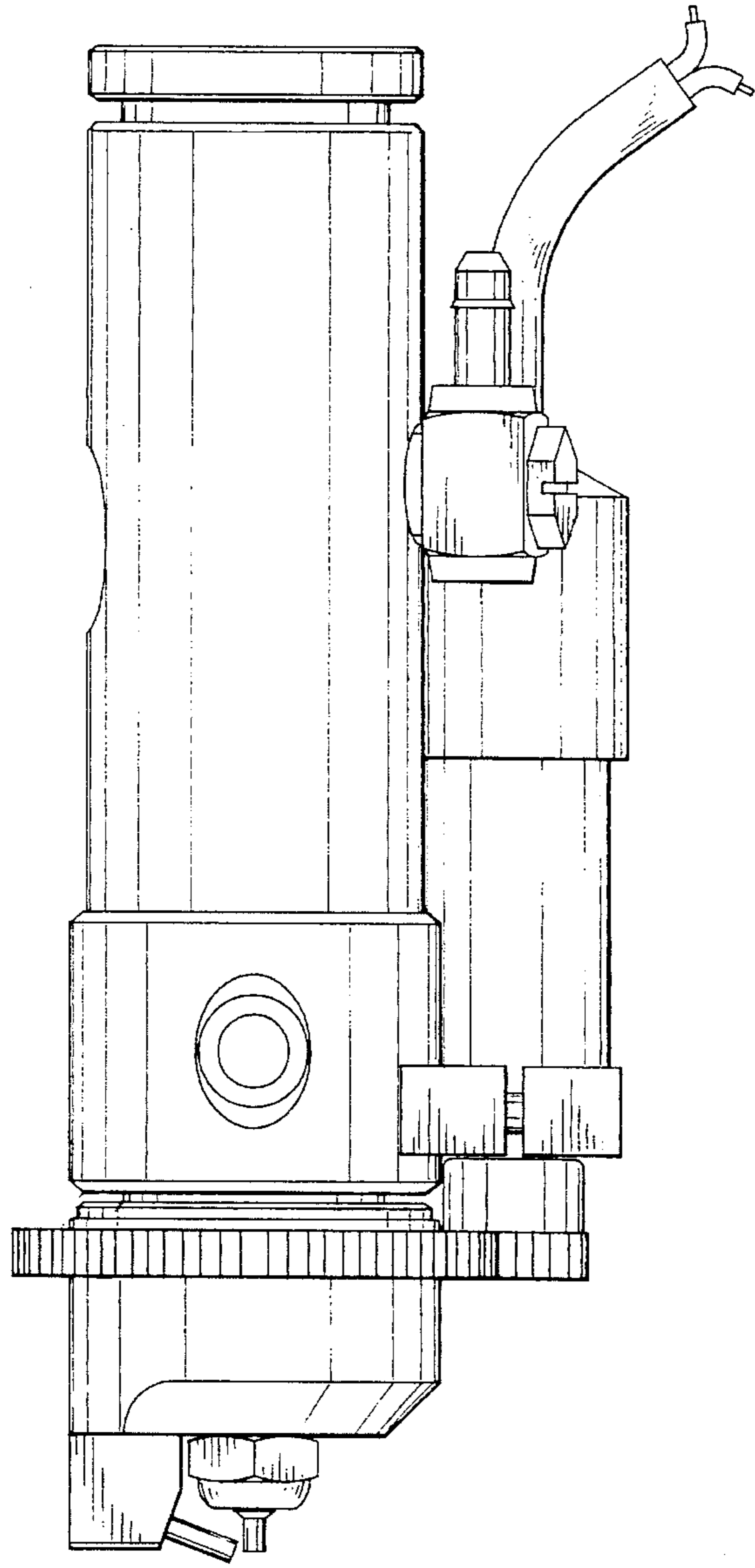


FIG. 3

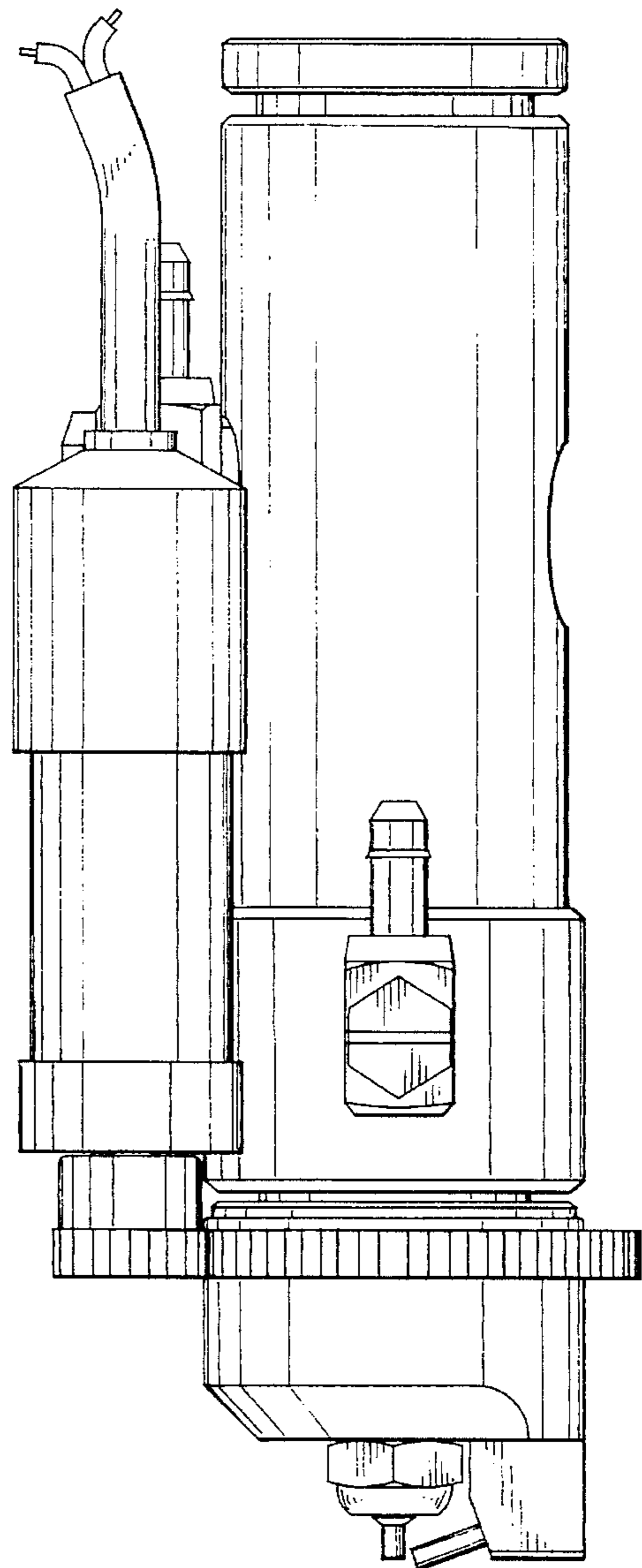


FIG. 4

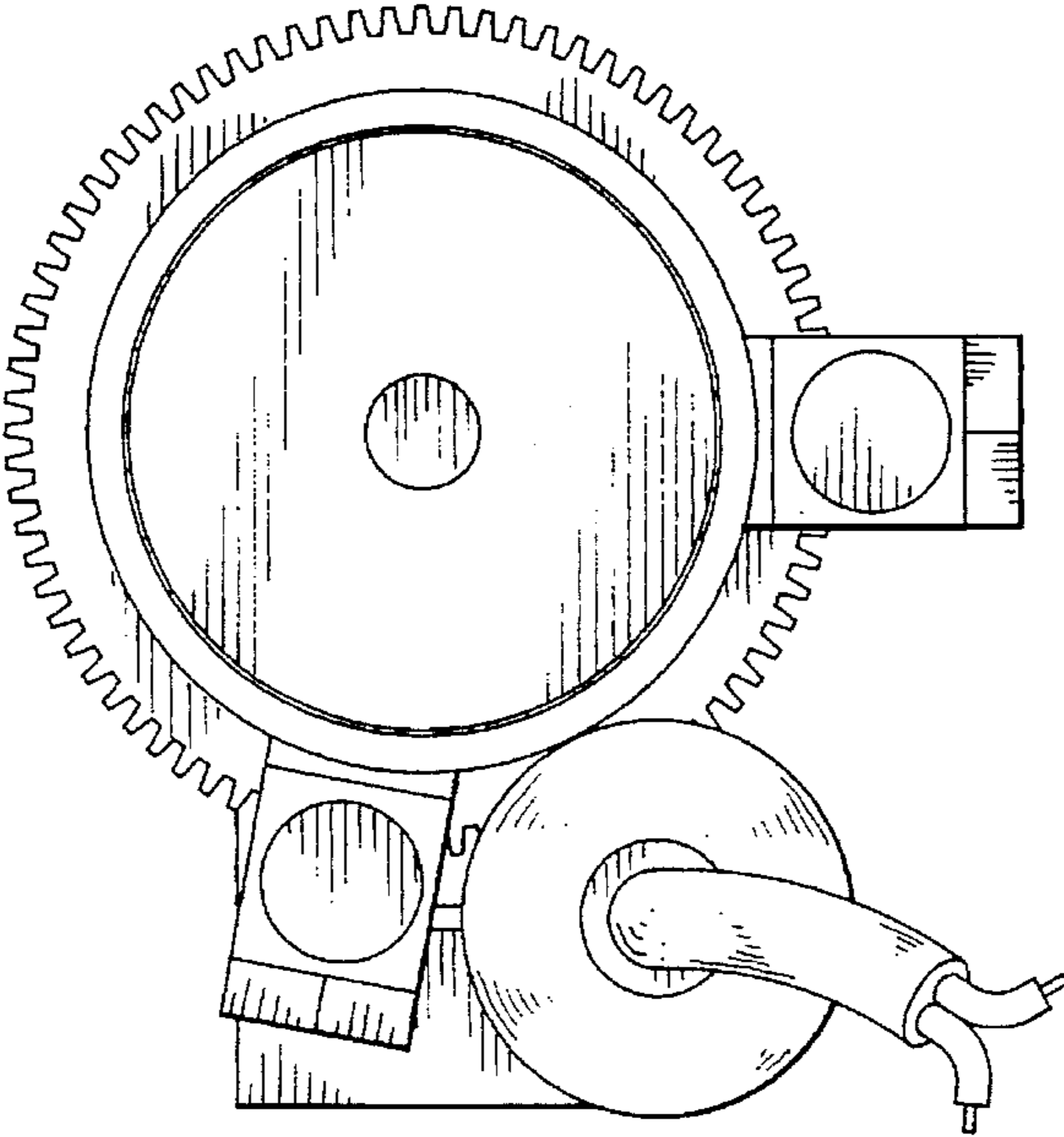


FIG. 5

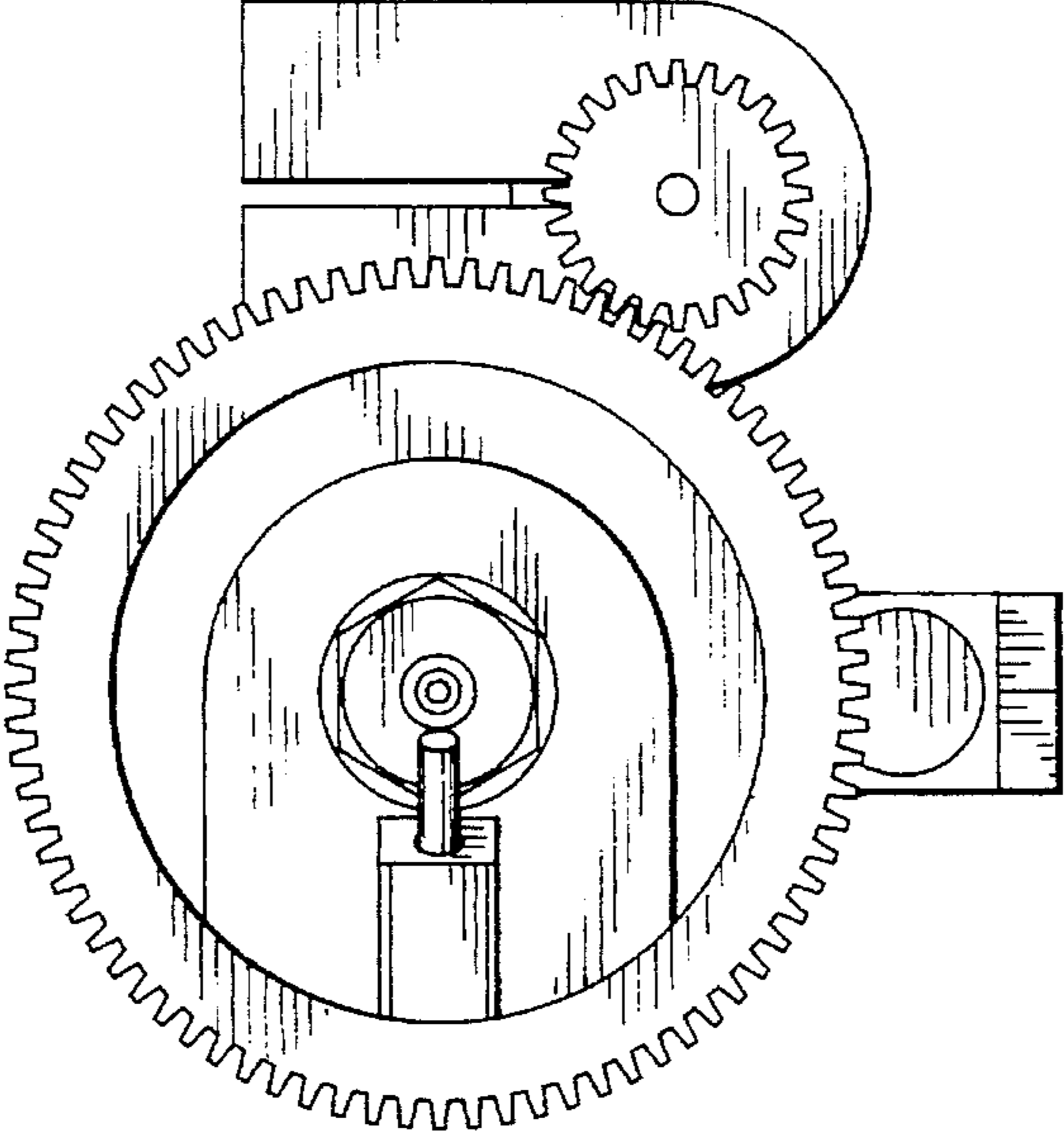


FIG. 6

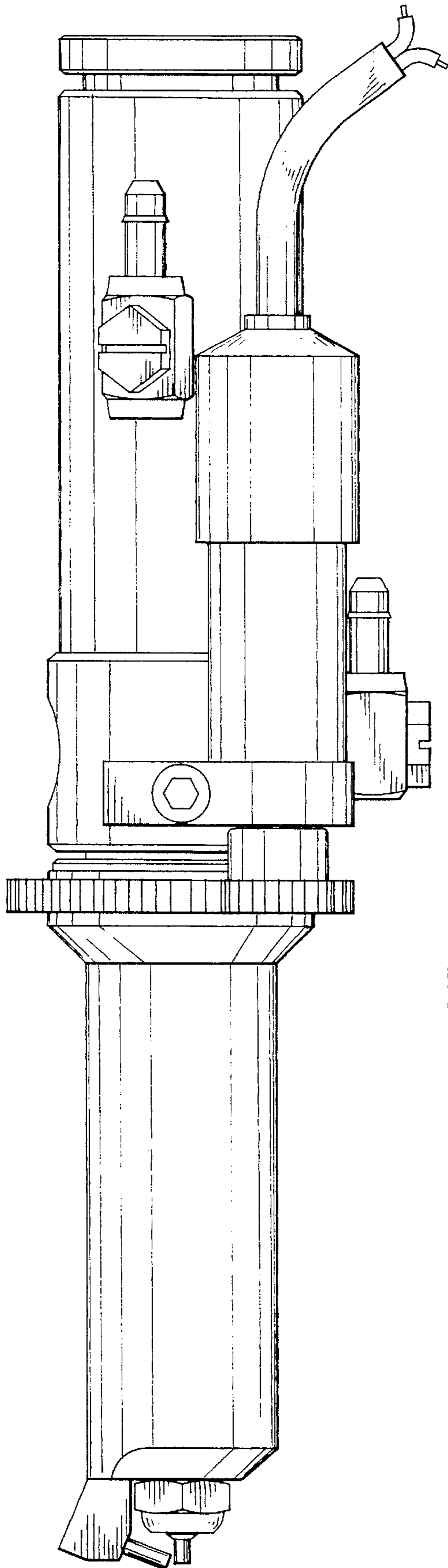


FIG. 7