



US00D376373S

United States Patent [19]

[11] **Patent Number:** **Des. 376,373**

Peterson et al.

[45] **Date of Patent:** ****Dec. 10, 1996**

[54] **EARTH WORKING TOOL POINT**

3,326,302	6/1967	Washbond et al.	172/713
4,457,381	7/1984	Wetmore	.
4,834,189	5/1989	Peterson et al.	.
4,949,481	8/1990	Fellnerw	172/713 X

[75] Inventors: **Richard L. Peterson**, LeSueur; **James A. Johnson**, Cologne; **Vincent J. Tomlonovic**, North Mankato, all of Minn.

Primary Examiner—A. Hugo Word
Assistant Examiner—Holly Baynham
Attorney, Agent, or Firm—Reising, Ethington, Barnard & Perry

[73] Assignee: **Hiniker Company**, Mankato, Minn.

[**] Term: **14 Years**

[57] **CLAIM**

[21] Appl. No.: **32,387**

The ornamental design for the earthworking tool point, as shown and described.

[22] Filed: **Nov. 29, 1994**

[52] U.S. Cl. **D15/29**

DESCRIPTION

[58] **Field of Search** D8/7, 9; D15/29;
172/699, 713; 111/86

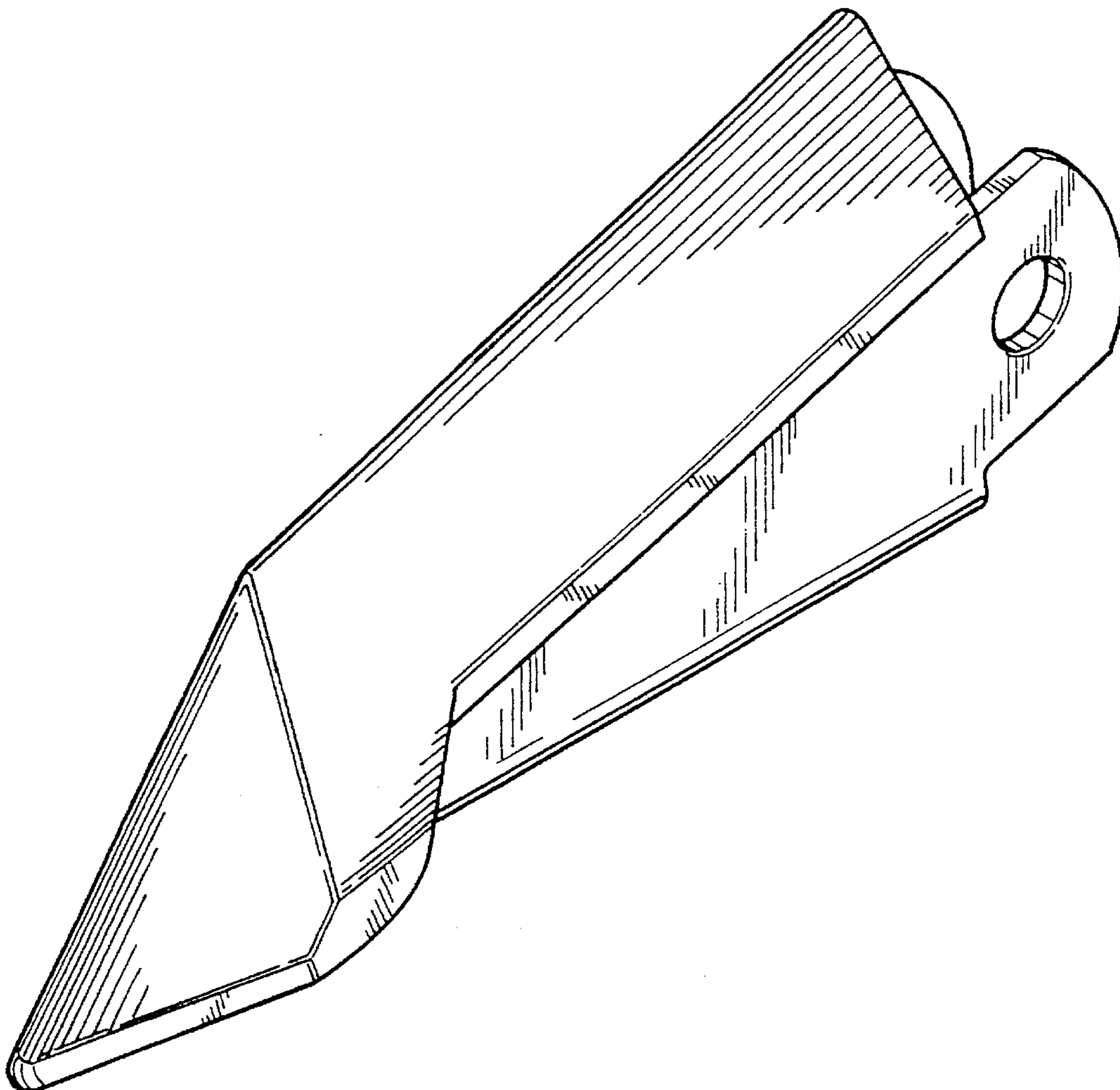
FIG. 1 is a perspective view of the earthworking tool point taken from the top, front and one side;
FIG. 2 is a side elevational view thereof with the opposite side being a mirror image thereof;
FIG. 3 is a bottom view thereof;
FIG. 4 is a top plan view thereof;
FIG. 5 is a front elevational view thereof; and,
FIG. 6 is a rear elevational view thereof.

[56] **References Cited**

U.S. PATENT DOCUMENTS

D. 215,953	11/1969	Edwards	D15/29
D. 237,644	11/1975	Williams et al.	D15/29
D. 335,132	4/1993	Williams et al.	D15/29
1,052,544	2/1913	Willits	172/713

1 Claim, 2 Drawing Sheets



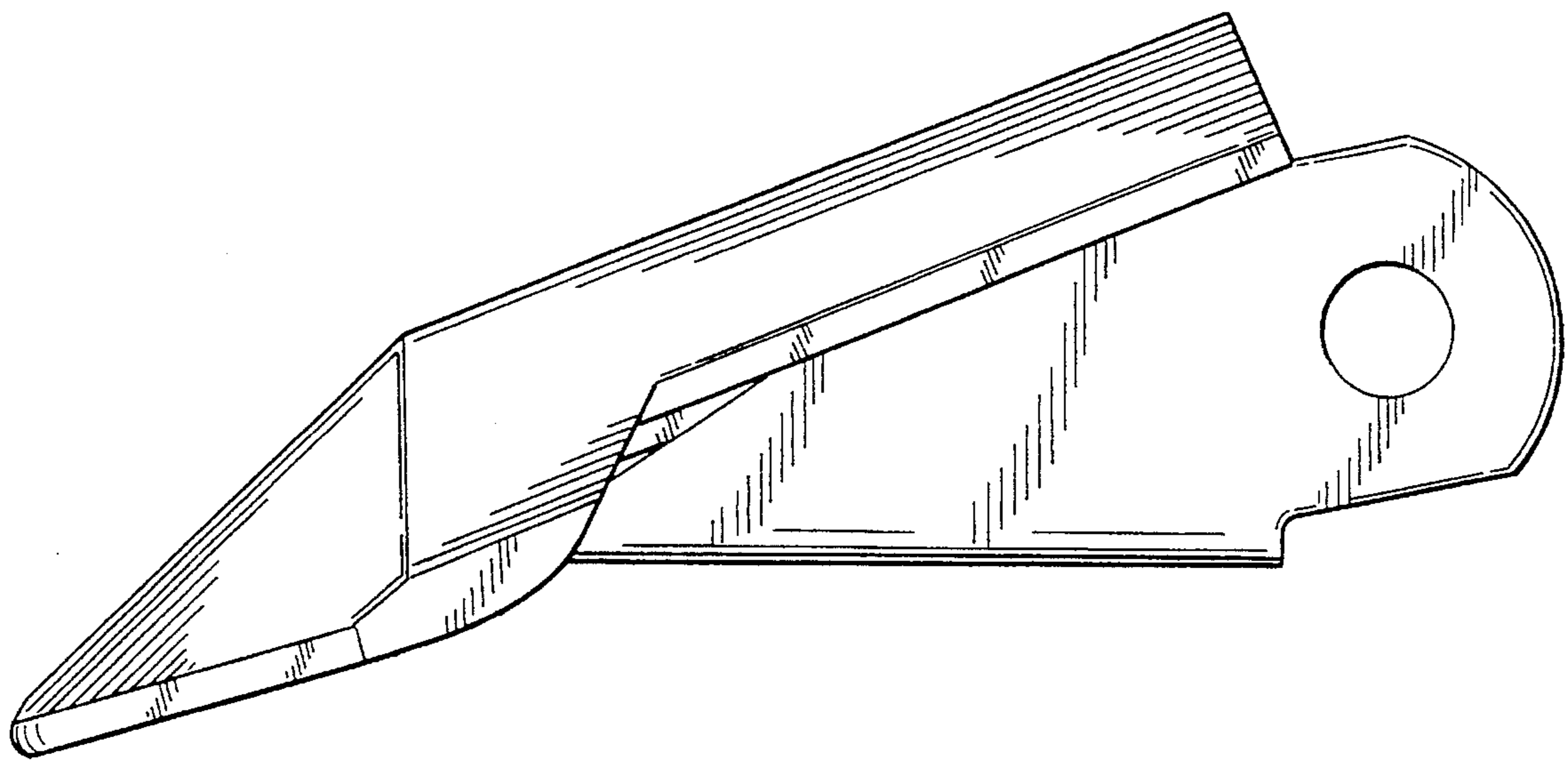
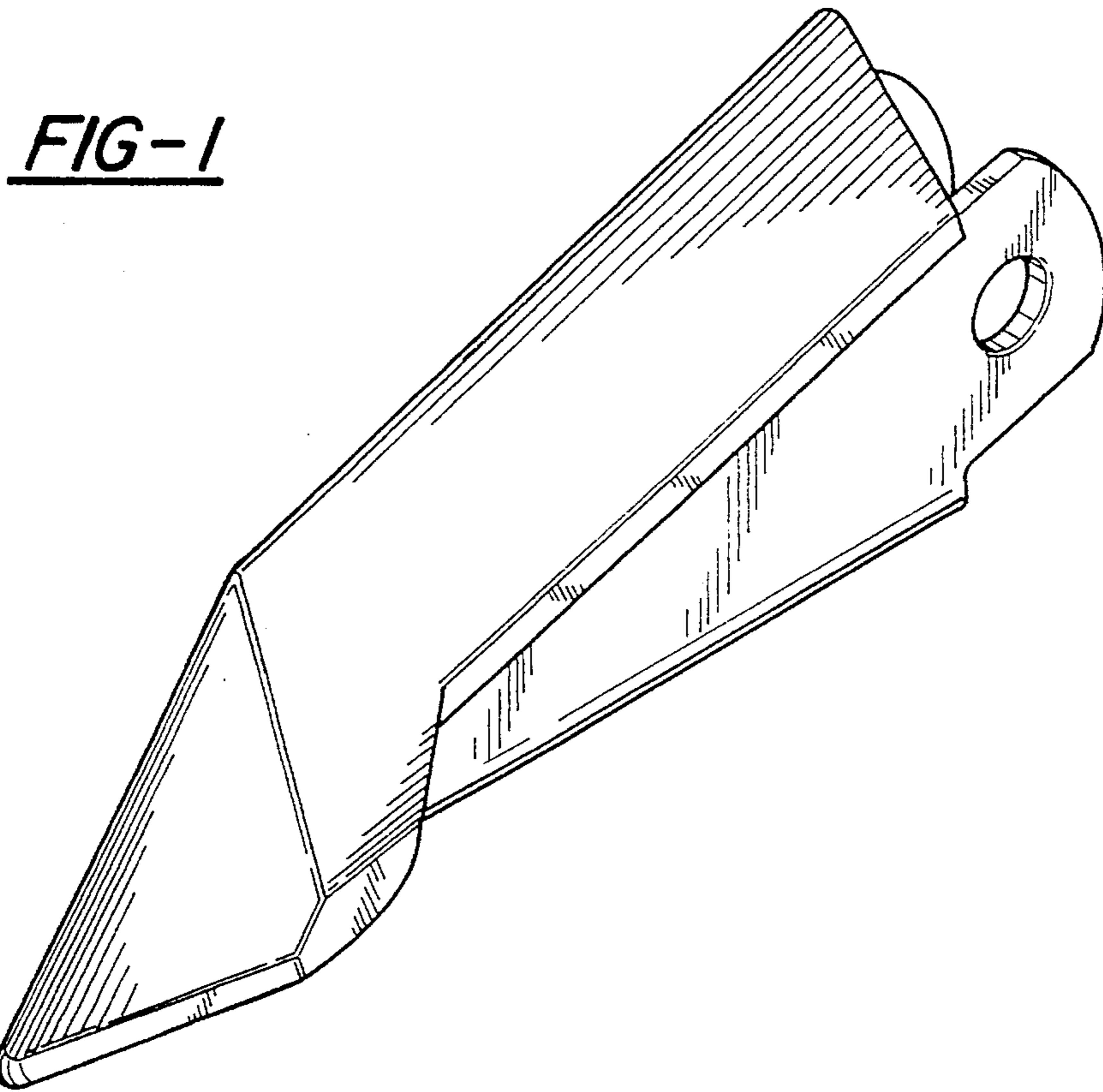


FIG-2

FIG-3

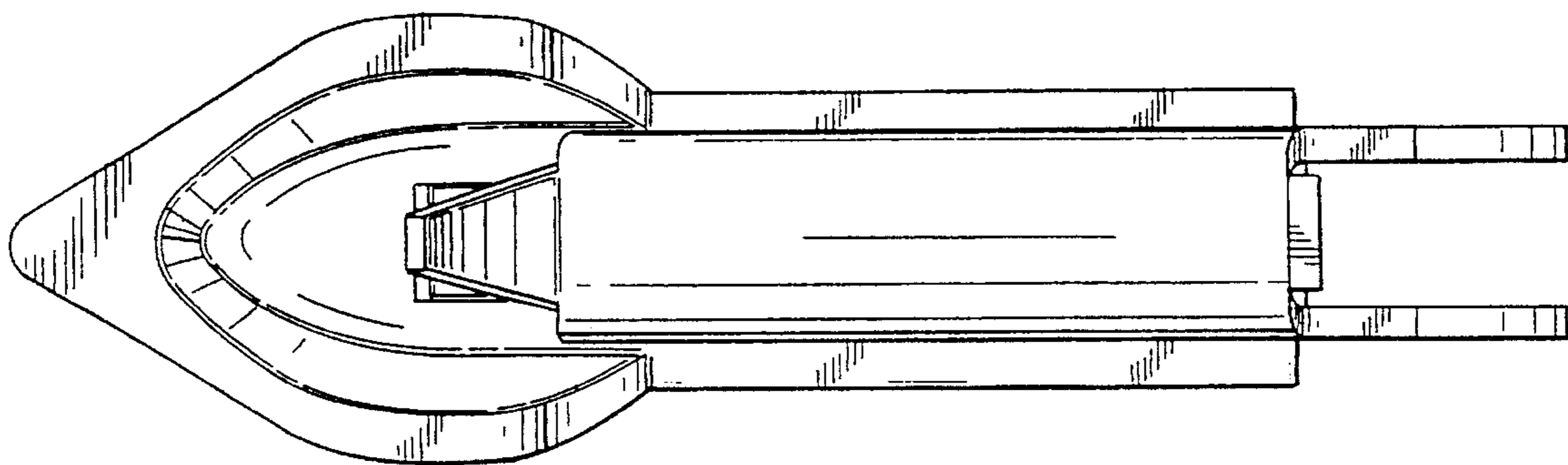


FIG-4

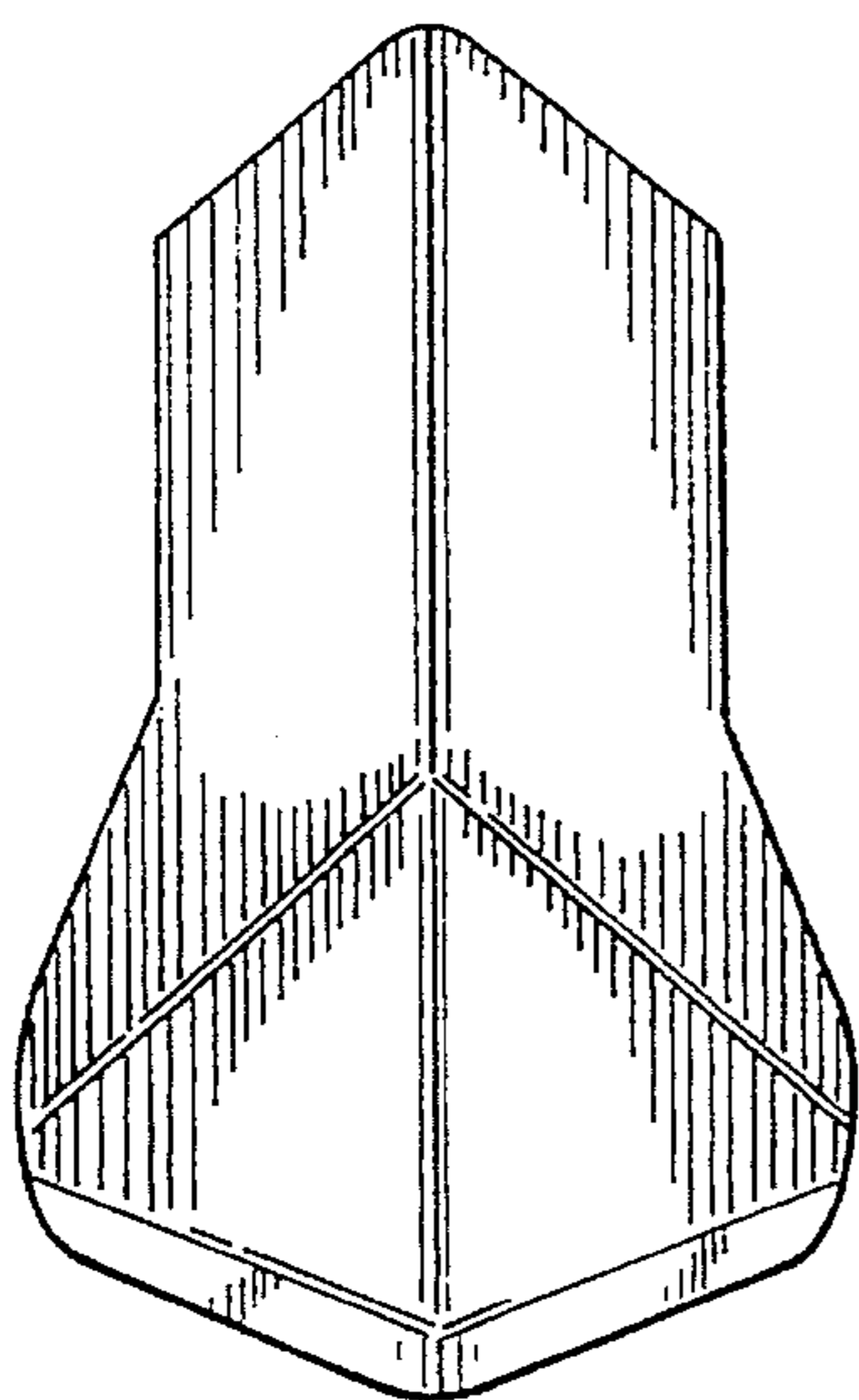
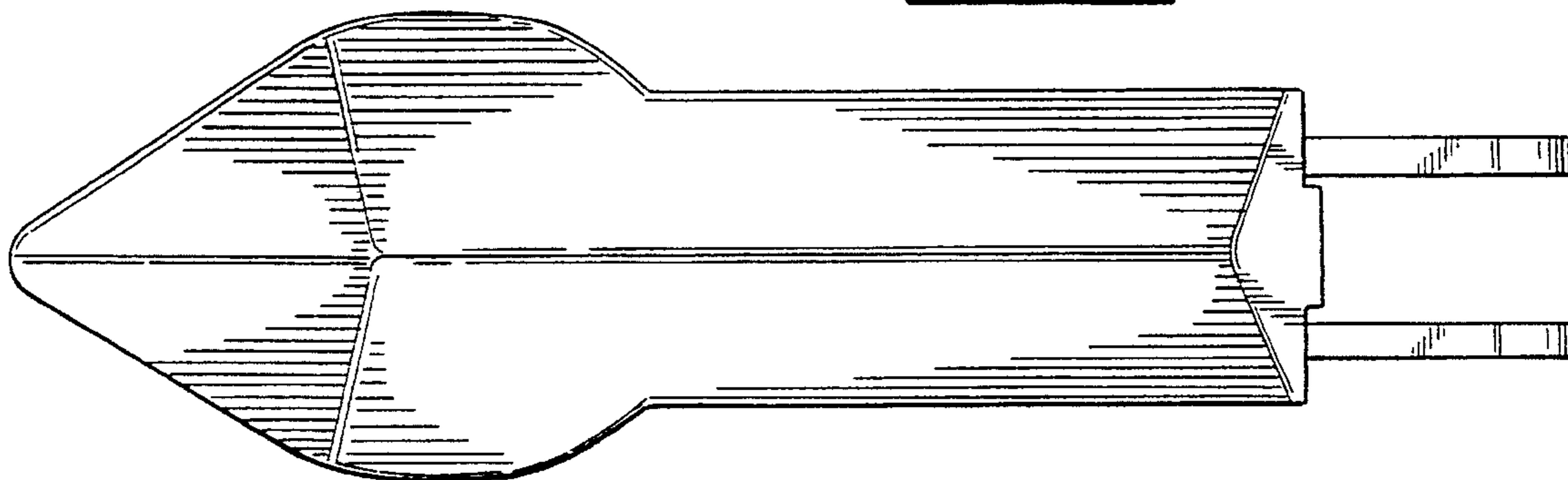


FIG-5

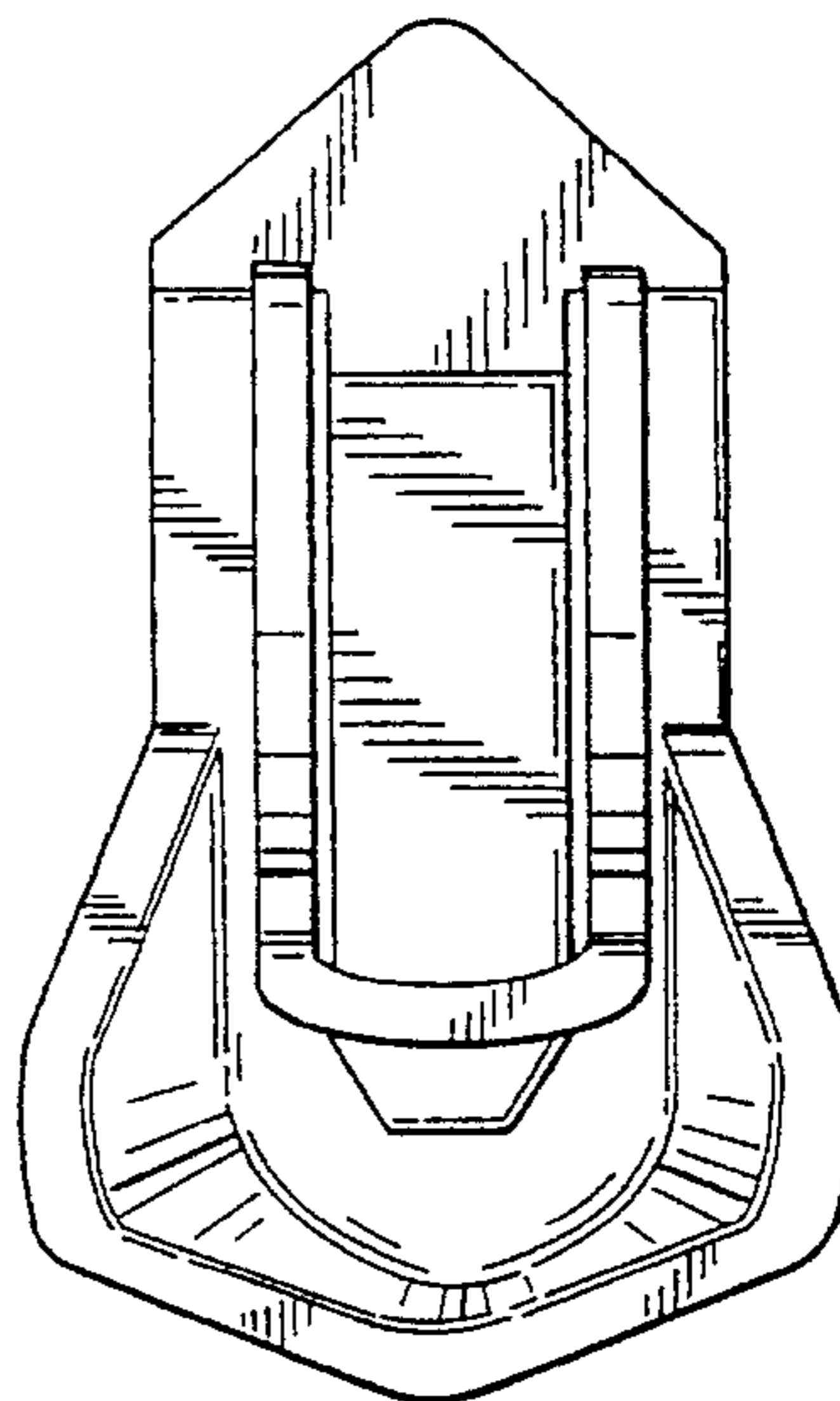


FIG-6