



US00D376372S

# United States Patent [19]

[11] Patent Number: **Des. 376,372**

Little et al.

[45] Date of Patent: **\*\*Dec. 10, 1996**

[54] **SKID STEER LOADER**

Ford New Holland Inc. Publication No. 31078123 · 1192320 entitled "New Holland Skid-Steer Loaders", undated.

[75] Inventors: **John E. Little**, Hendersonville, N.C.;  
**Constantine J. Kermes**, Lancaster, Pa.;  
**Russell W. Strong**, Craftsbury  
Common, Vt.

*Primary Examiner*—Sandra L. Morris  
*Attorney, Agent, or Firm*—Frank A. Seemar; Larry W. Miller

[73] Assignee: **New Holland North America, Inc.**,  
New Holland, Pa.

[57] **CLAIM**

[\*\*] Term: **14 Years**

The ornamental design for a skid steer loader, as shown and described.

[21] Appl. No.: **31,308**

**DESCRIPTION**

[22] Filed: **Nov. 22, 1994**

[52] U.S. Cl. .... **D15/23**

[58] Field of Search ..... **D15/10, 22-26;**  
**180/89.1, 89.12, 900**

FIG. 1 is a perspective view of our new design for a skid steer loader and shows the boom and bucket in the lowered position, the broken lines showing a bucket attachment are for illustrative purposes only and form no part of the claimed design;

[56] **References Cited**

**U.S. PATENT DOCUMENTS**

D. 224,588	8/1972	Baver	.....	D15/23
D. 231,482	4/1974	Baver	.....	D15/25
D. 247,814	5/1978	Johnson et al.	.....	D15/23
D. 251,088	2/1979	Johnson et al.	.....	D15/23
D. 317,926	7/1991	Lynnes et al.	.....	D15/23
D. 322,792	12/1991	Park	.....	D15/25
4,055,262	10/1977	Baver et al.	.....	180/89.12
4,705,449	11/1987	Christianson et al.	.....	D15/25
5,240,366	8/1993	Bamford	.....	D15/25

FIG. 2 is a side elevational view of the skid steer loader shown in FIG. 1, the boom and bucket being shown in a raised position;

FIG. 3 is a side elevational view of the skid steer loader shown in FIG. 1, the boom and bucket being shown in the lowered position;

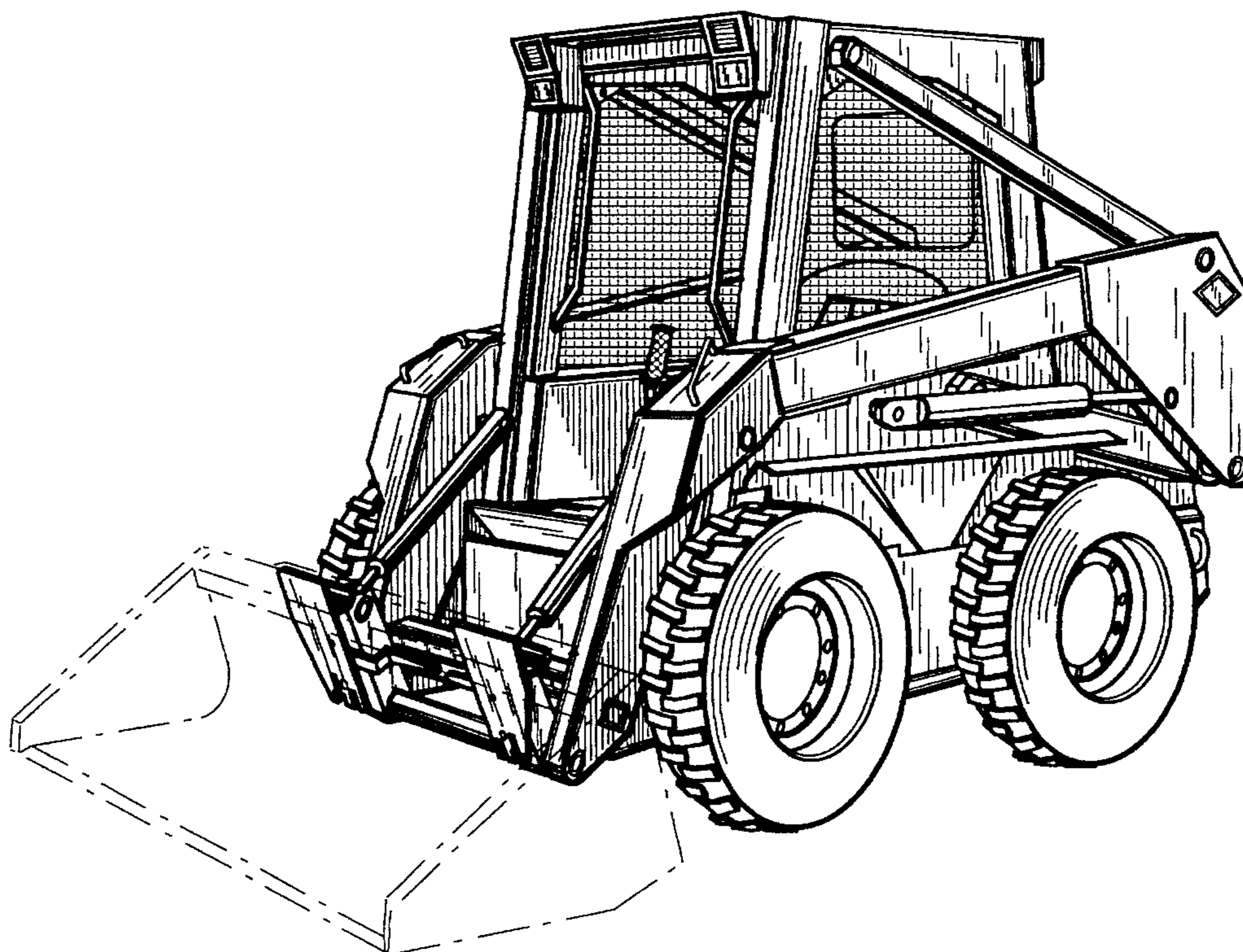
**OTHER PUBLICATIONS**

Successful Farming, mid Feb. 1991 p. 59 Gehl skid loader.  
Progressive Farmer, Dec. 1993 p. P/G 16 Du-Al skid-steer loader.

FIG. 4 is a front view of the skid steer loader shown in FIG. 1, the broken lines showing a bucket attachment are for illustrative purposes only and form no part of the claimed design; and,

FIG. 5 is a rear elevational view of the skid steer loader shown in FIG. 1.

**1 Claim, 5 Drawing Sheets**



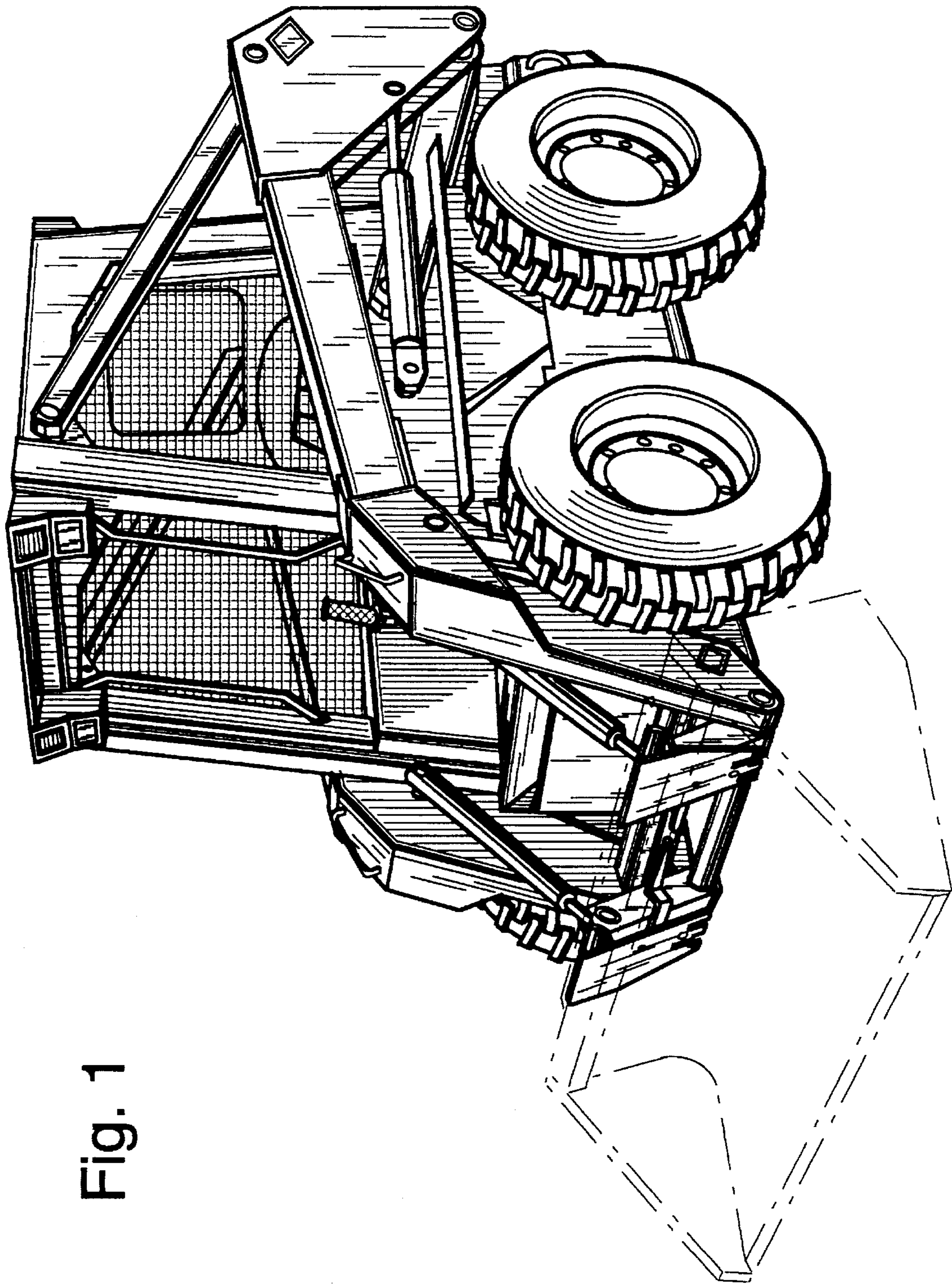


Fig. 1

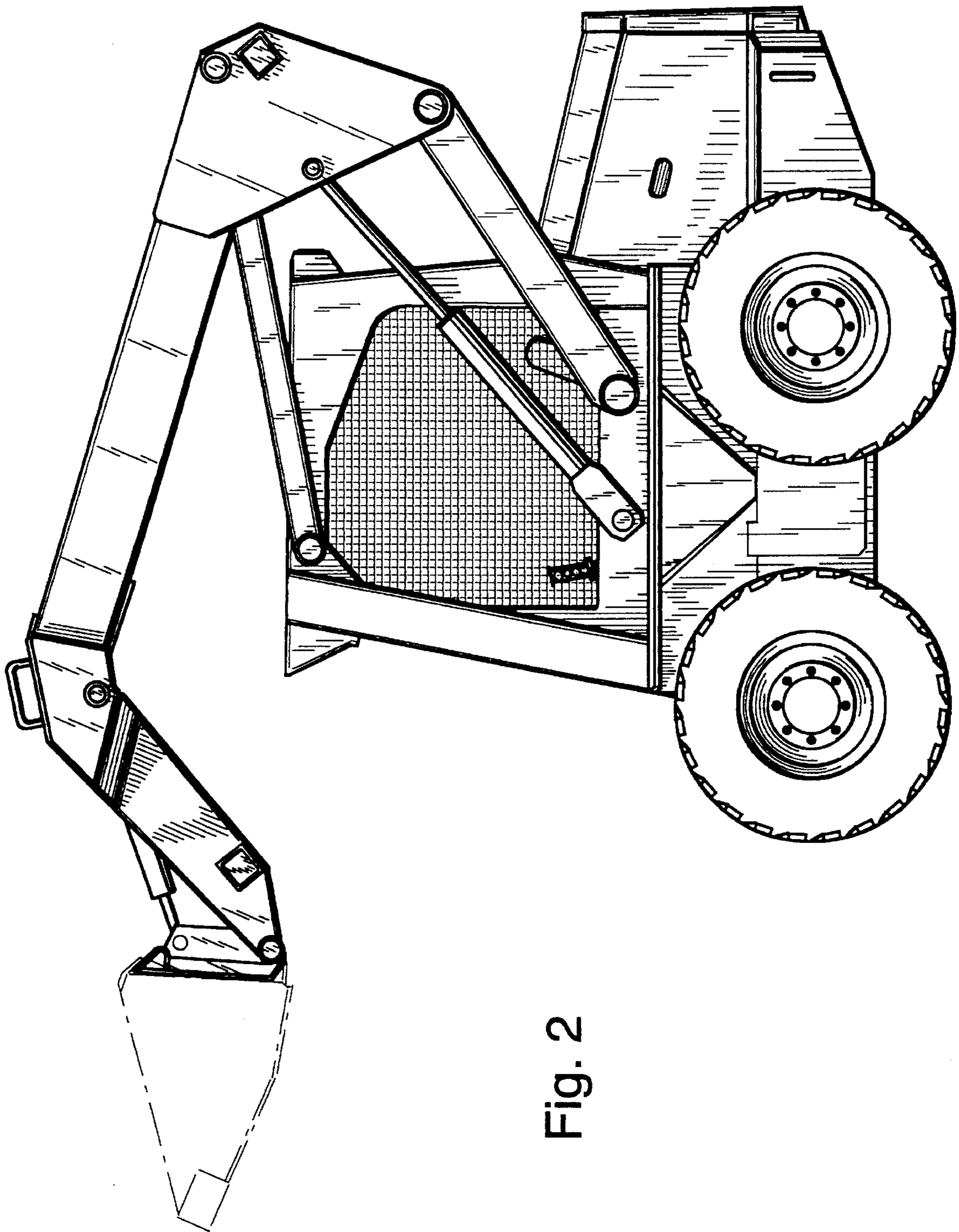


Fig. 2

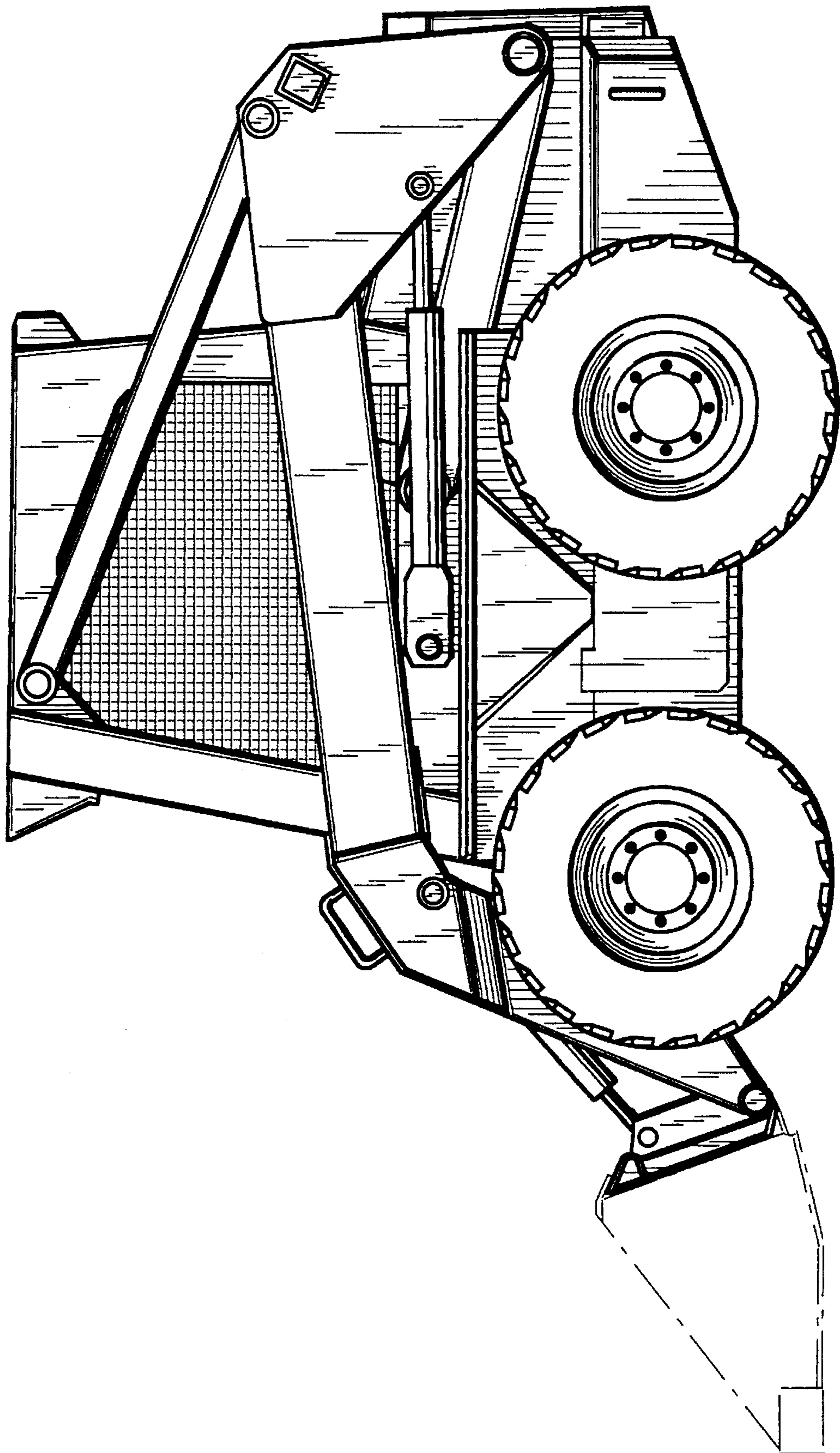


Fig. 3

Fig. 4

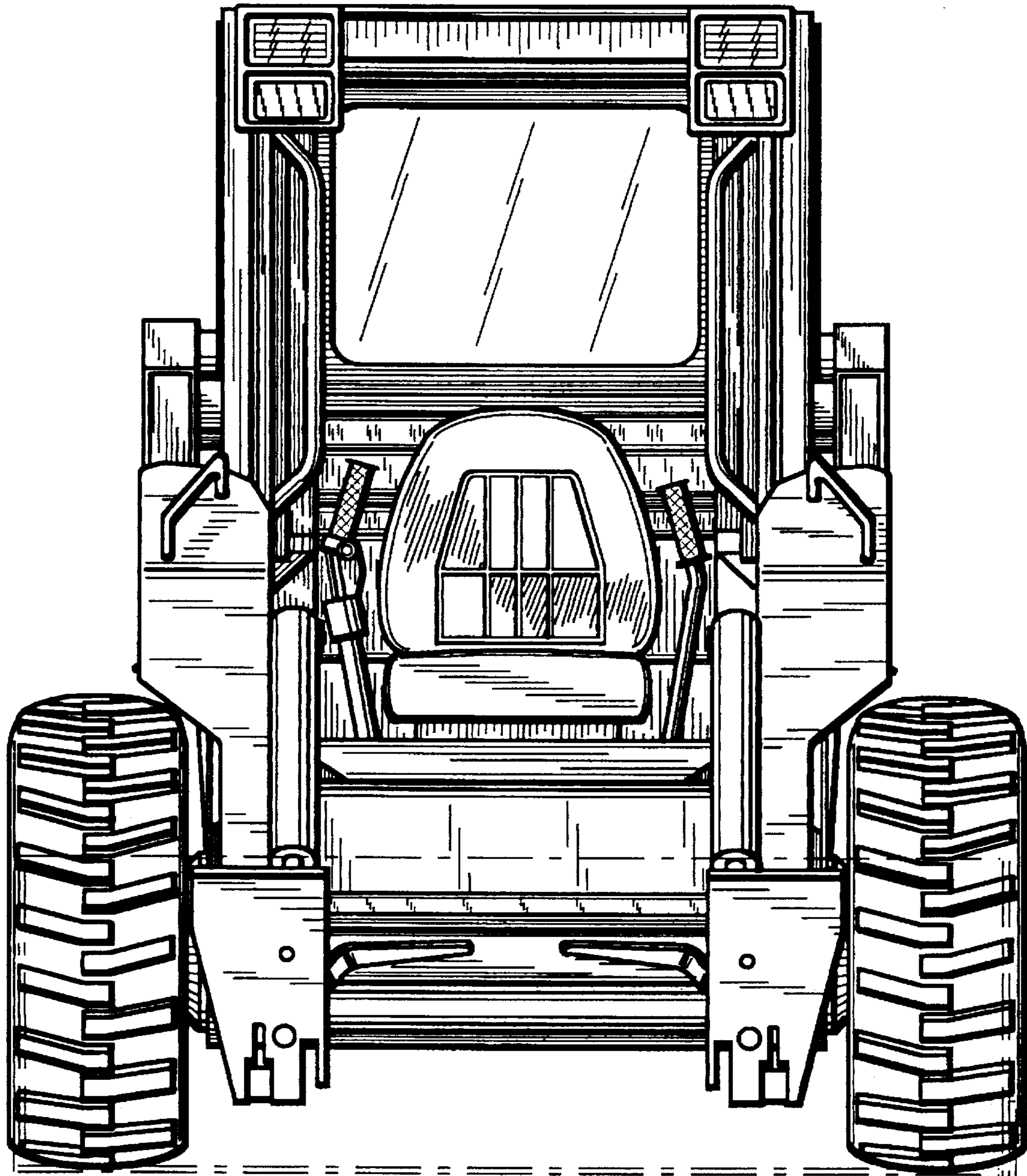


Fig. 5

