



US00D376371S

United States Patent [19]
Swinney, II

[11] **Patent Number: Des. 376,371**
[45] **Date of Patent: **Dec. 10, 1996**

[54] **LAWN MOWER**
[75] **Inventor: Steve A. Swinney, II, Sheboygan, Wis.**
[73] **Assignee: Garden Way Incorporated, Troy, N.Y.**
[**] **Term: 14 Years**

4,328,661 5/1982 Ferguson 56/13.4
4,711,077 12/1987 Kutsukake et al. 56/17.5
5,231,827 8/1993 Connolly et al. 56/320.2

OTHER PUBLICATIONS

Sabo, p. 24 Sabo Lawn Mower 52-4.

Primary Examiner—Sandra L. Morris
Attorney, Agent, or Firm—Hayes & Reinsmith

[21] **Appl. No.: 13,538**
[22] **Filed: Sep. 27, 1993**
[52] **U.S. Cl. D15/14**
[58] **Field of Search D15/14-18; 56/12.8, 56/13.4, 16.7, 17.4, 17.5, 202, 254, 255, 294, 320.1, 320.2**

[57] **CLAIM**

The ornamental design for a lawn mower, as shown and described.

DESCRIPTION

FIG. 1 is a perspective view of a lawn mower, showing my new design, the broken line showing of the handle is for illustrative purposes only, and forms no part of the claimed design;
FIG. 2 is an enlarged top plan view thereof;
FIG. 3 is an enlarged front elevational view thereof;
FIG. 4 is an enlarged rear elevational view thereof; and,
FIG. 5 is an enlarged side elevational view thereof, the other side being identical.

[56] **References Cited**

U.S. PATENT DOCUMENTS

D. 232,117	7/1974	Cognata	D15/14
D. 232,184	7/1974	Cognata	D15/14
D. 237,524	11/1975	Cognata	D15/17
D. 276,047	10/1984	Sasaki	D15/14
D. 298,039	10/1988	Nogawa	D15/17
D. 312,671	12/1990	Klawitter	D15/14
D. 347,011	5/1994	Baxter	D15/14
3,085,386	2/1960	Slemmons	56/25.4
4,107,907	8/1978	Rutherford	56/320.2

1 Claim, 2 Drawing Sheets

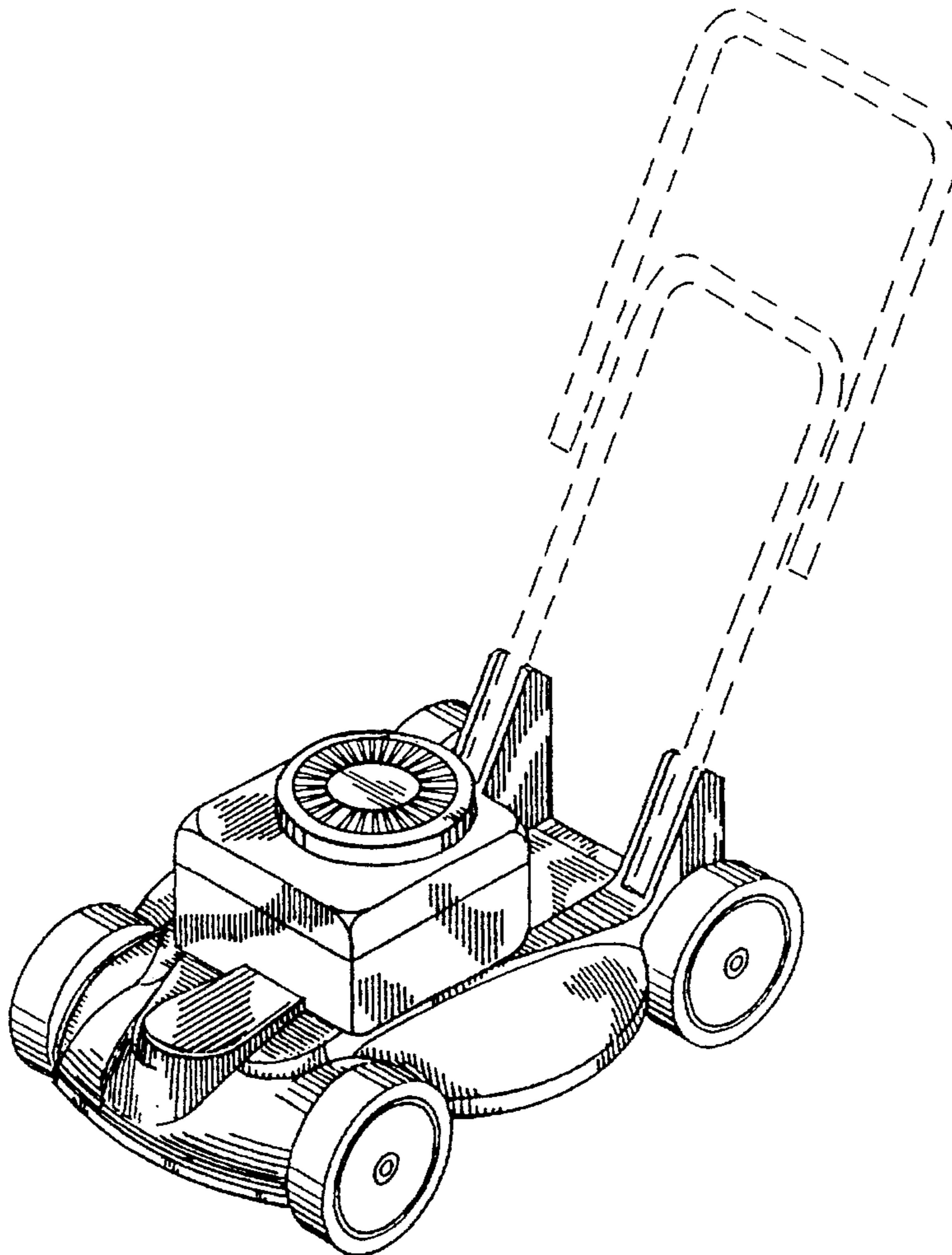


FIG. 1

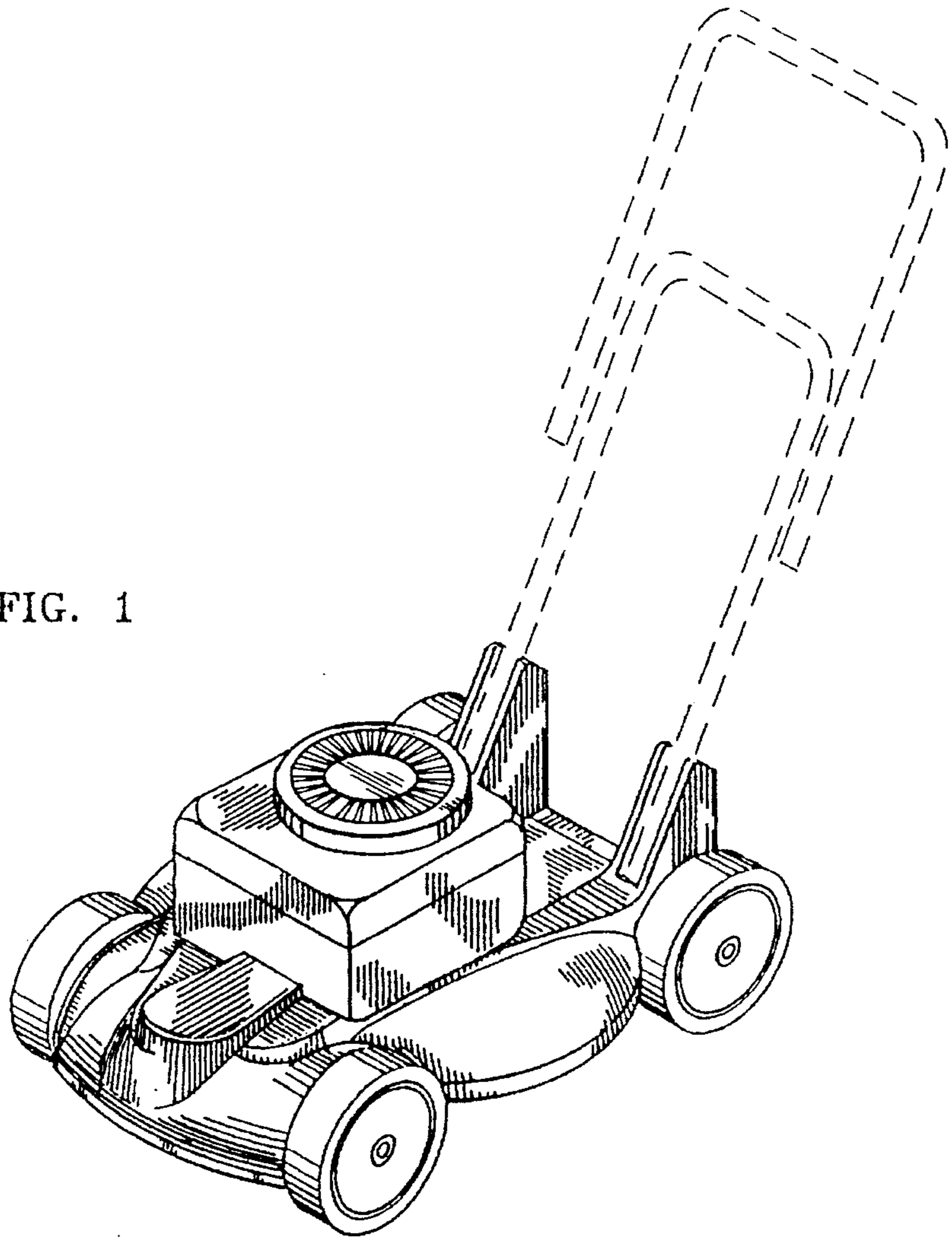
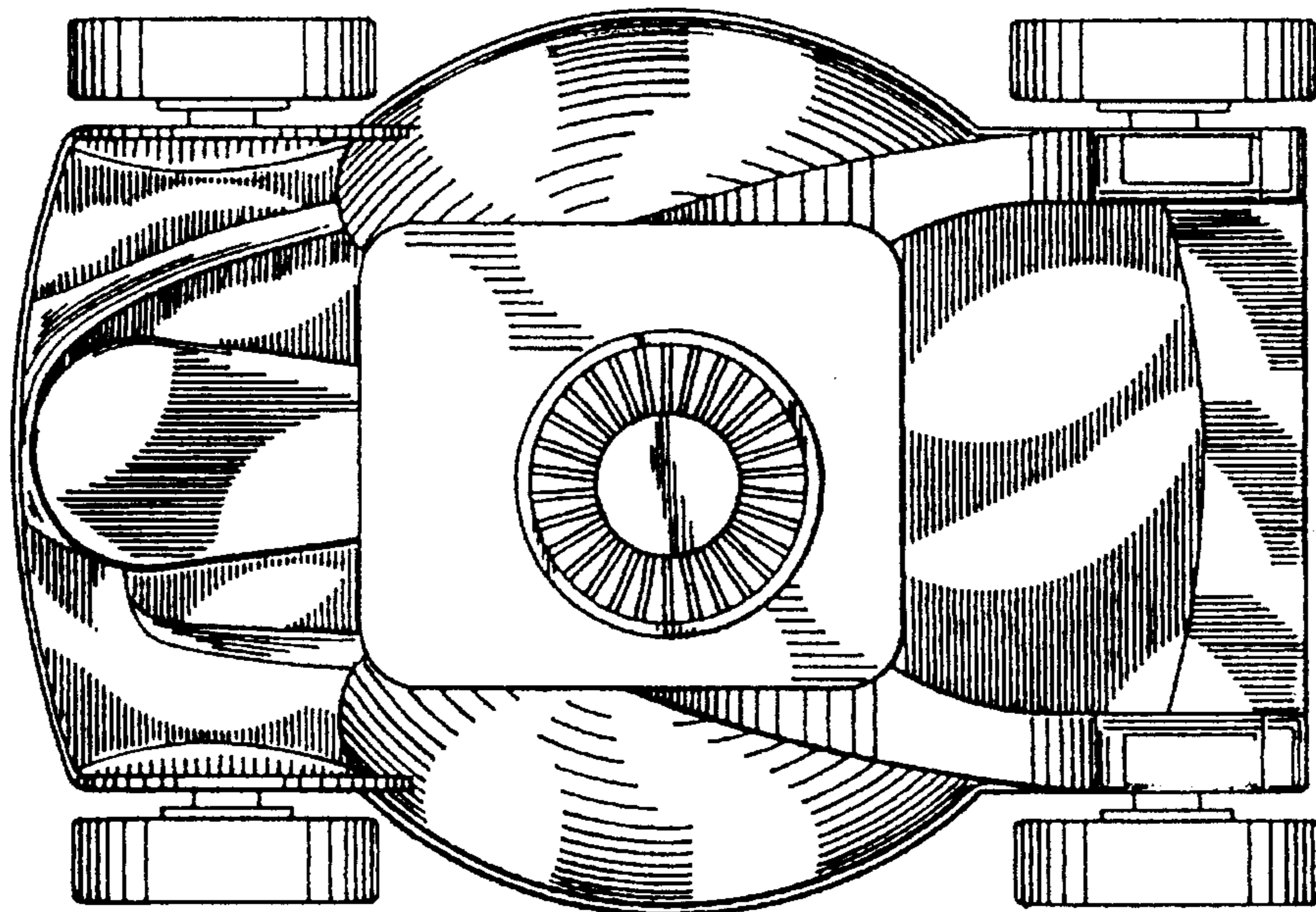


FIG. 2



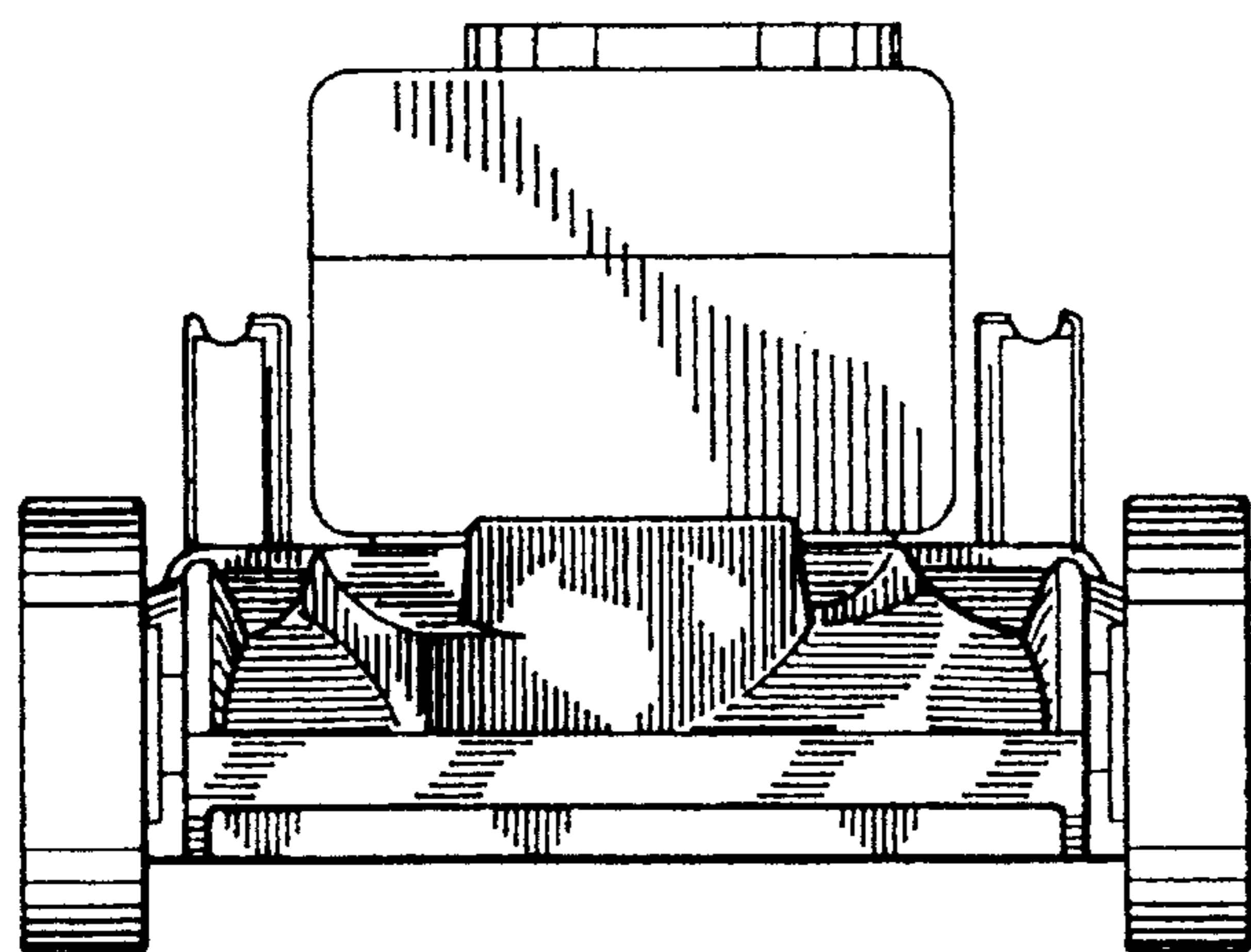


FIG. 3

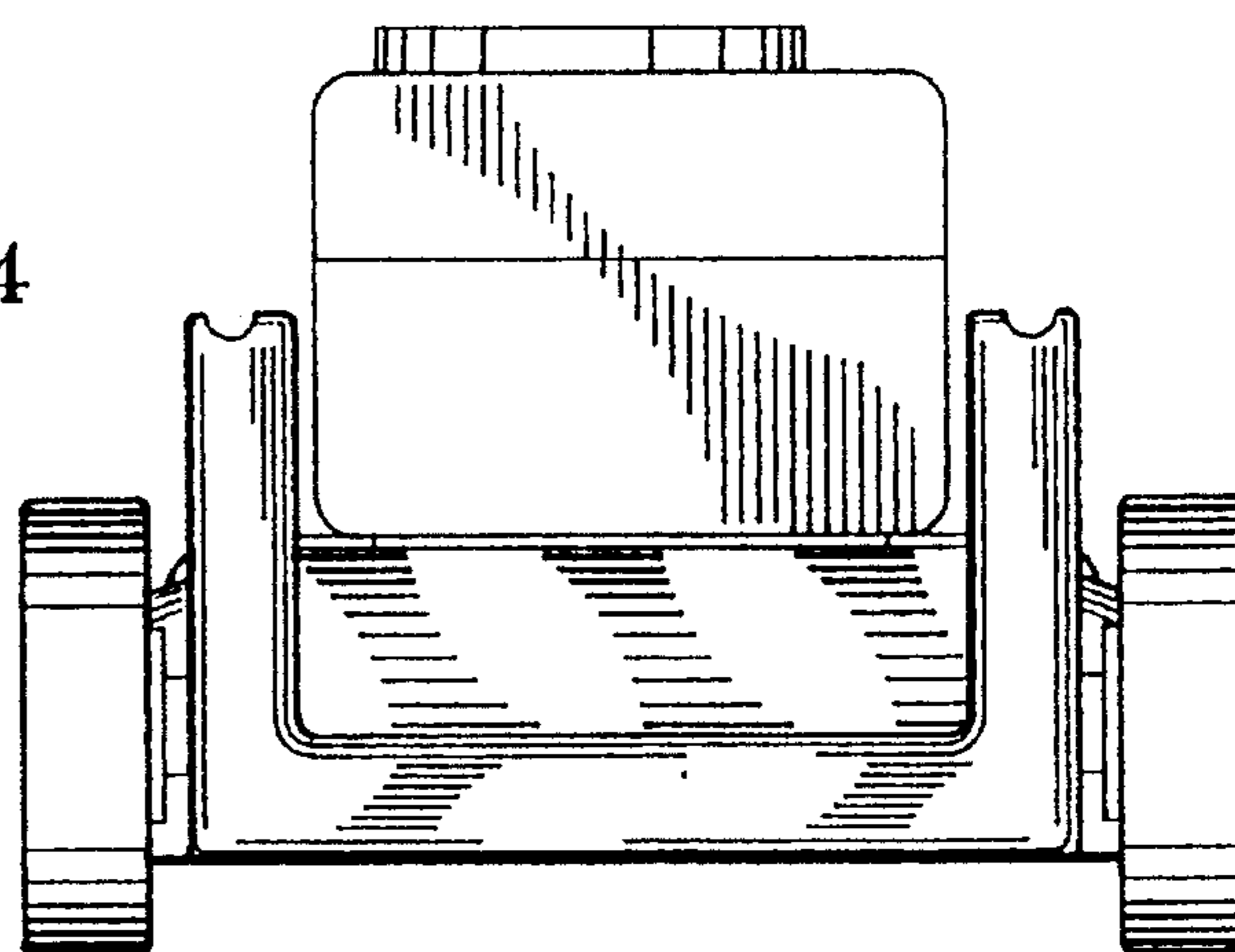


FIG. 4

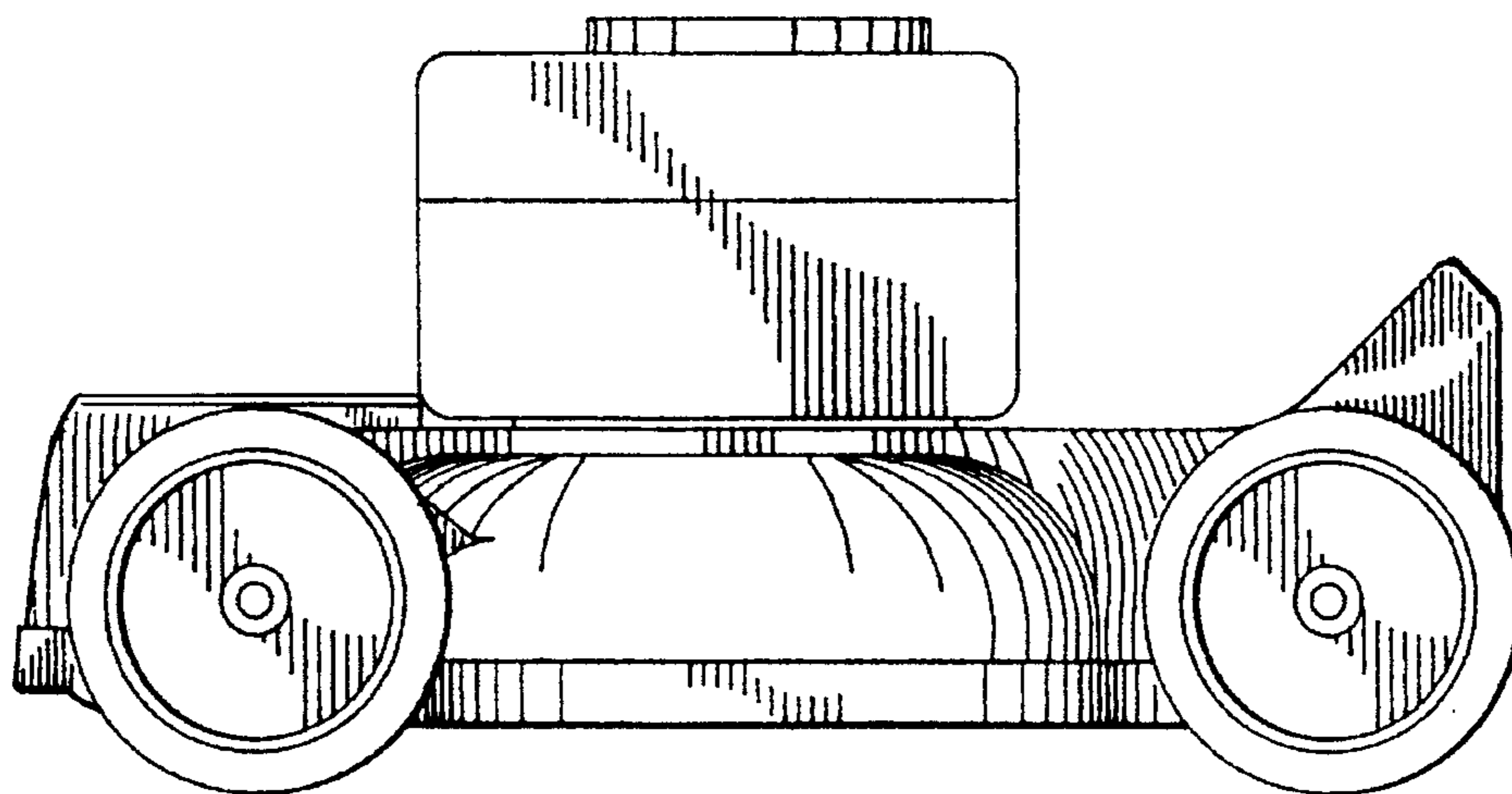


FIG. 5