



US00D376370S

United States Patent [19]

[11] Patent Number: **Des. 376,370**

Davis et al.

[45] Date of Patent: ****Dec. 10, 1996**

[54] **COMBINED PUMP AND MOTOR**

[75] Inventors: **Lee W. Davis; DeForest W. Hearn, Jr.; James J. Coffey; Lindell W. Gay, Jr.**, all of Oklahoma City, Okla.

[73] Assignee: **Little Giant Pump Company**, Oklahoma City, Okla.

[**] Term: **14 Years**

[21] Appl. No.: **41,038**

[22] Filed: **Jul. 3, 1995**

[52] U.S. Cl. **D15/7**

[58] Field of Search **D15/7-9.1; 417/360, 417/362**

[56] **References Cited**

U.S. PATENT DOCUMENTS

| | | | | |
|------------|--------|-----------|-------|---------|
| D. 201,529 | 6/1995 | Faison | | D15/7 |
| D. 354,754 | 1/1995 | Broughton | | D15/7 |
| 3,758,236 | 9/1973 | Zimmerman | | 417/360 |

OTHER PUBLICATIONS

“Wet Magnet” pump made by Ubbink; undated.
 “Wet Magnet” pump made by Eheim; undated.
 “Wet Magnet” pump made by Danner Mfg. Inc.; published Feb. 1994.

Primary Examiner—Ralf Seifert

Attorney, Agent, or Firm—Bill D. McCarthy; Phillip L. Free, Jr.

[57] **CLAIM**

The ornamental design for a combined pump and motor, as shown.

DESCRIPTION

FIG. 1 is a perspective view of a combined pump and motor showing my new design;

FIG. 2 is a top plan view thereof;

FIG. 3 is a bottom plan view thereof;

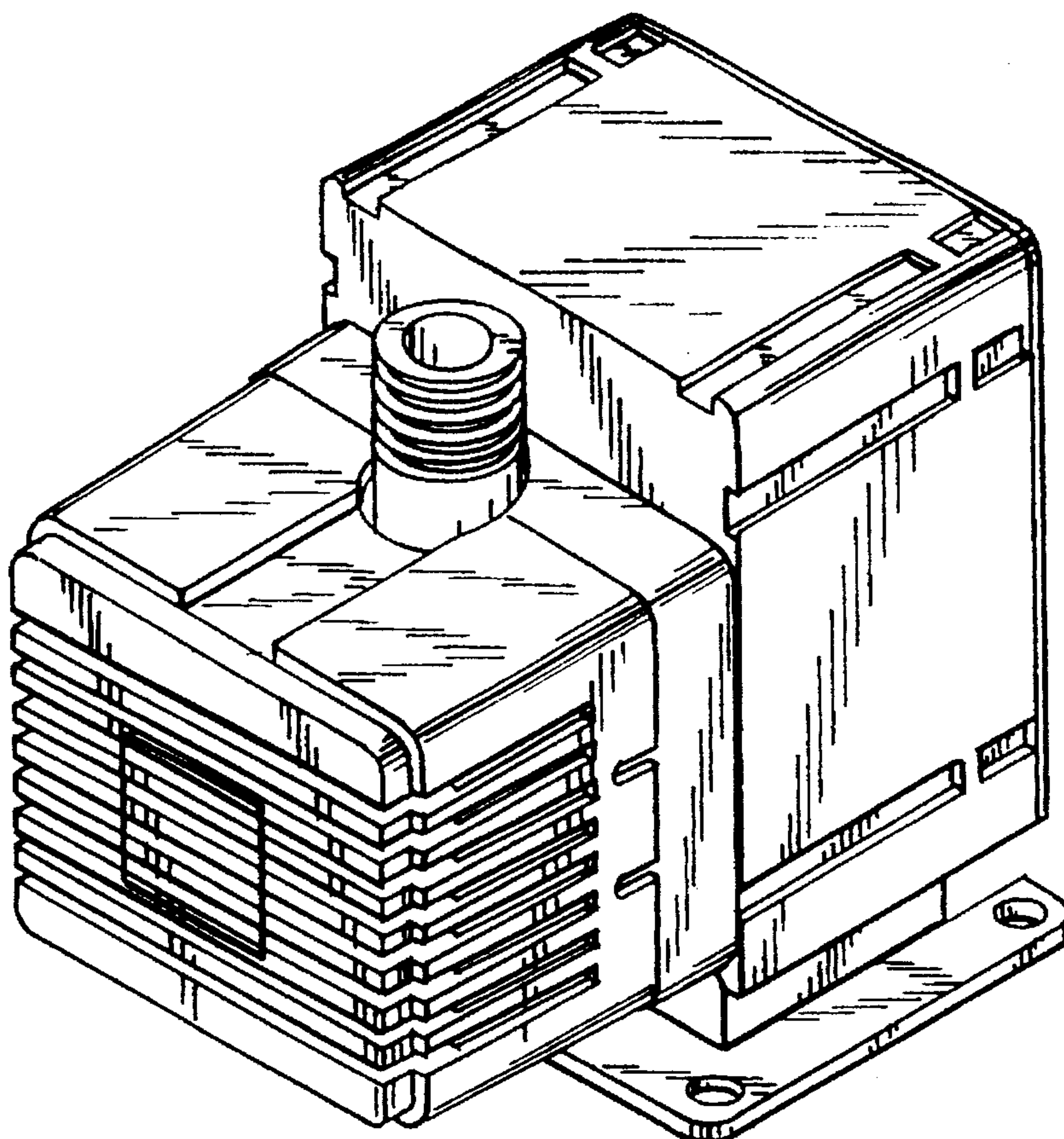
FIG. 4 is an elevational view of one side thereof;

FIG. 5 is an elevational view of the other side thereof;

FIG. 6 is an elevational view of the front thereof; and,

FIG. 7 is an elevational view of the rear thereof.

1 Claim, 2 Drawing Sheets



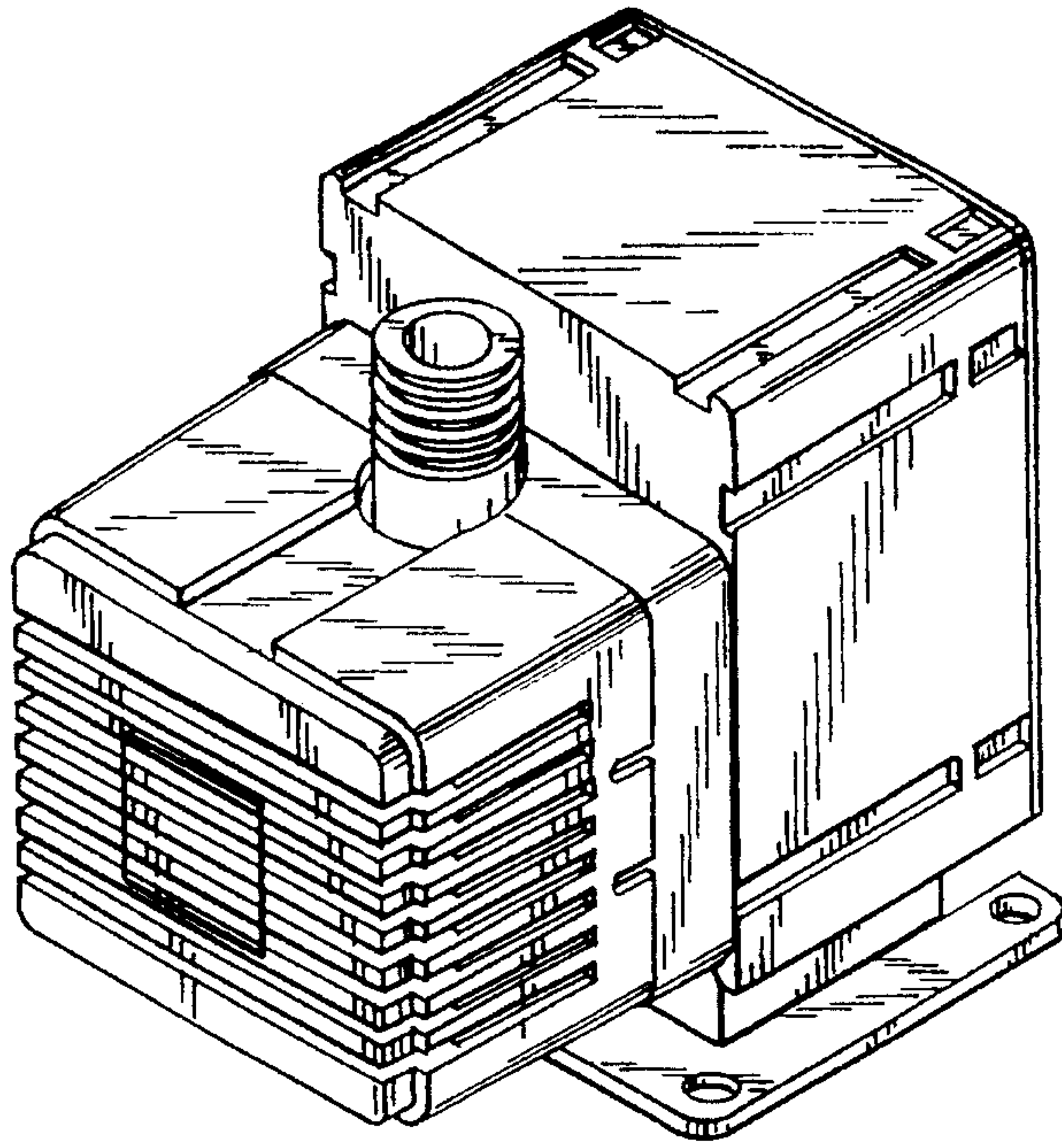


FIG. 1

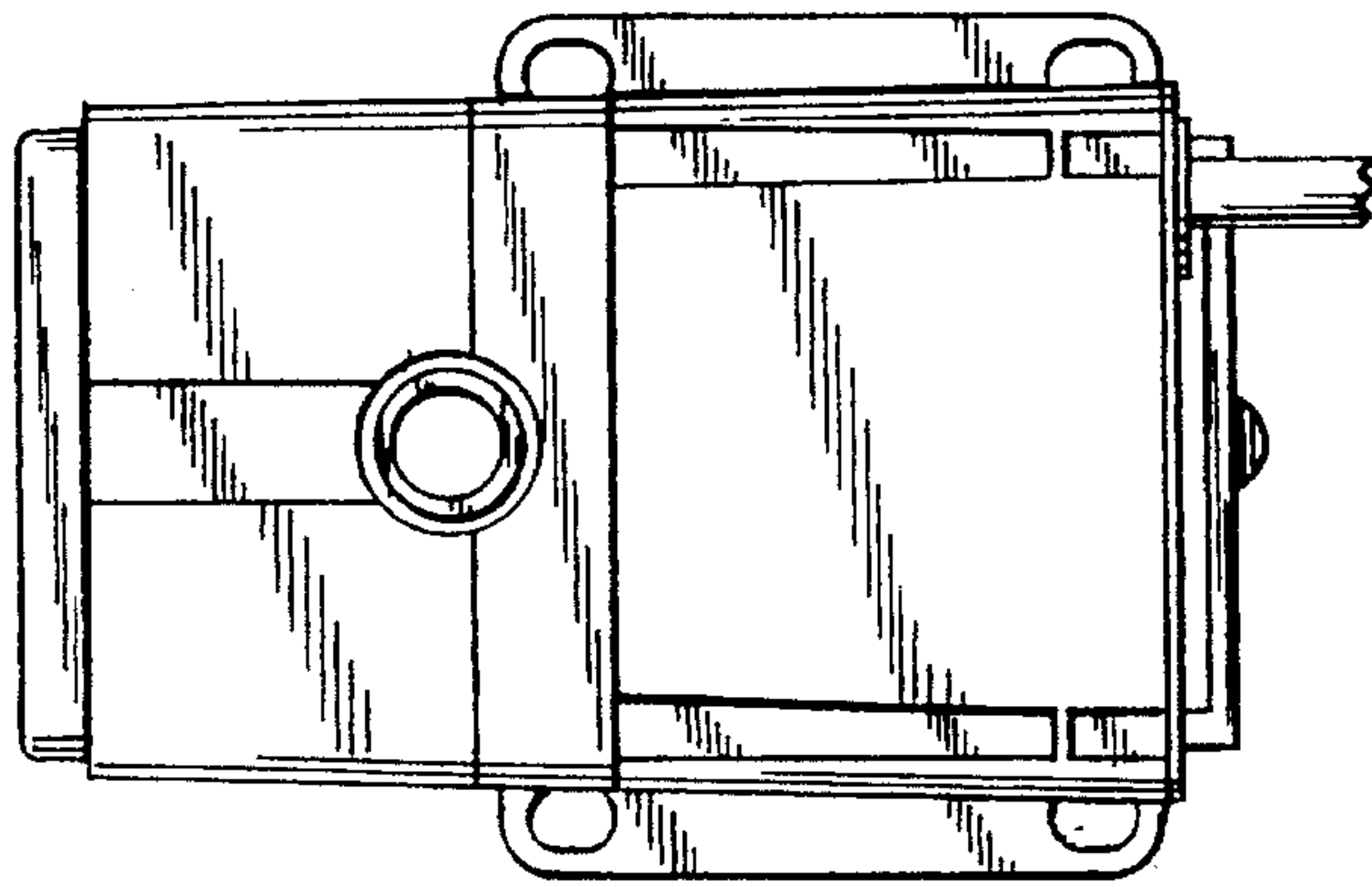


FIG. 2

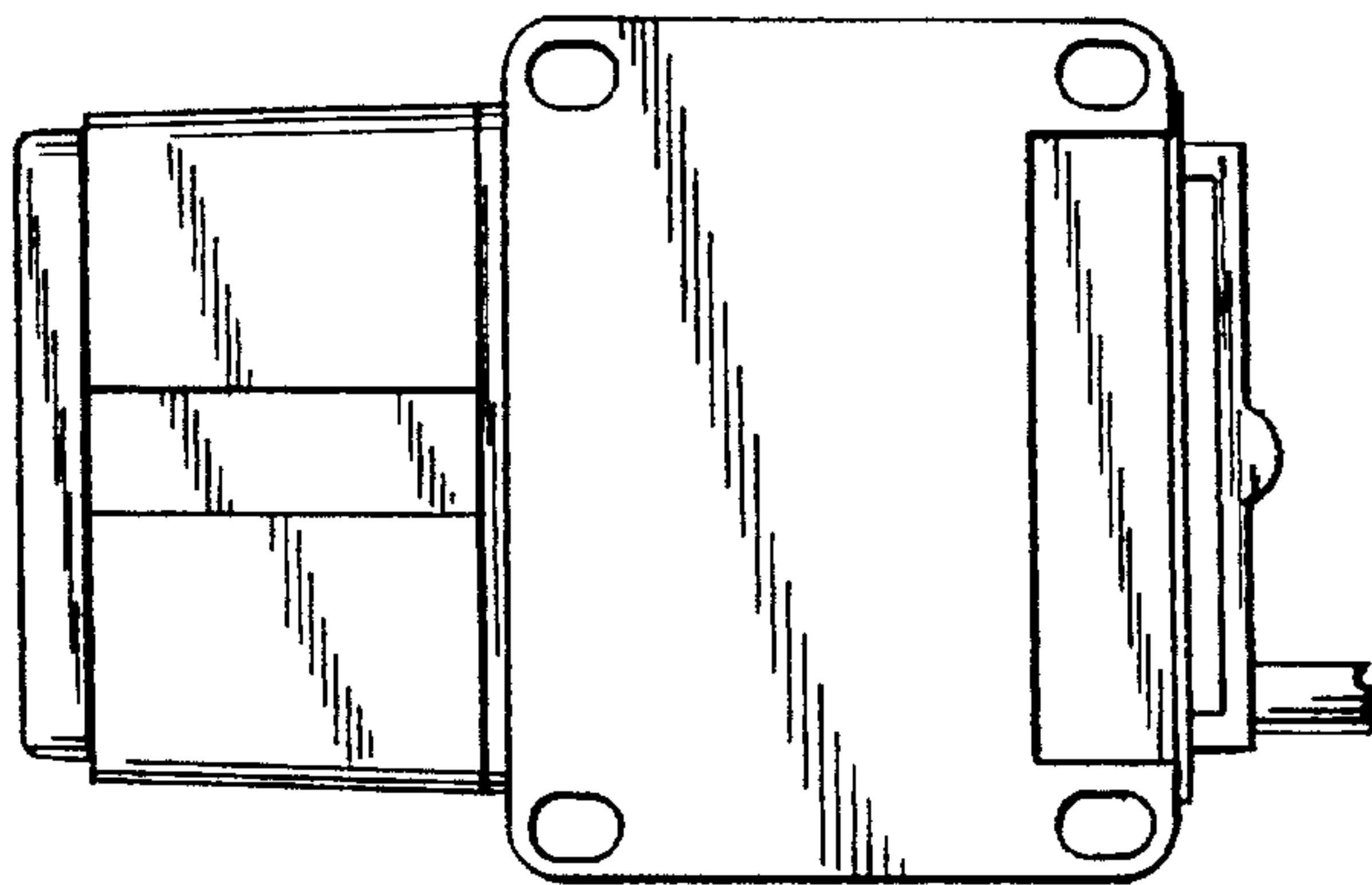


FIG. 3

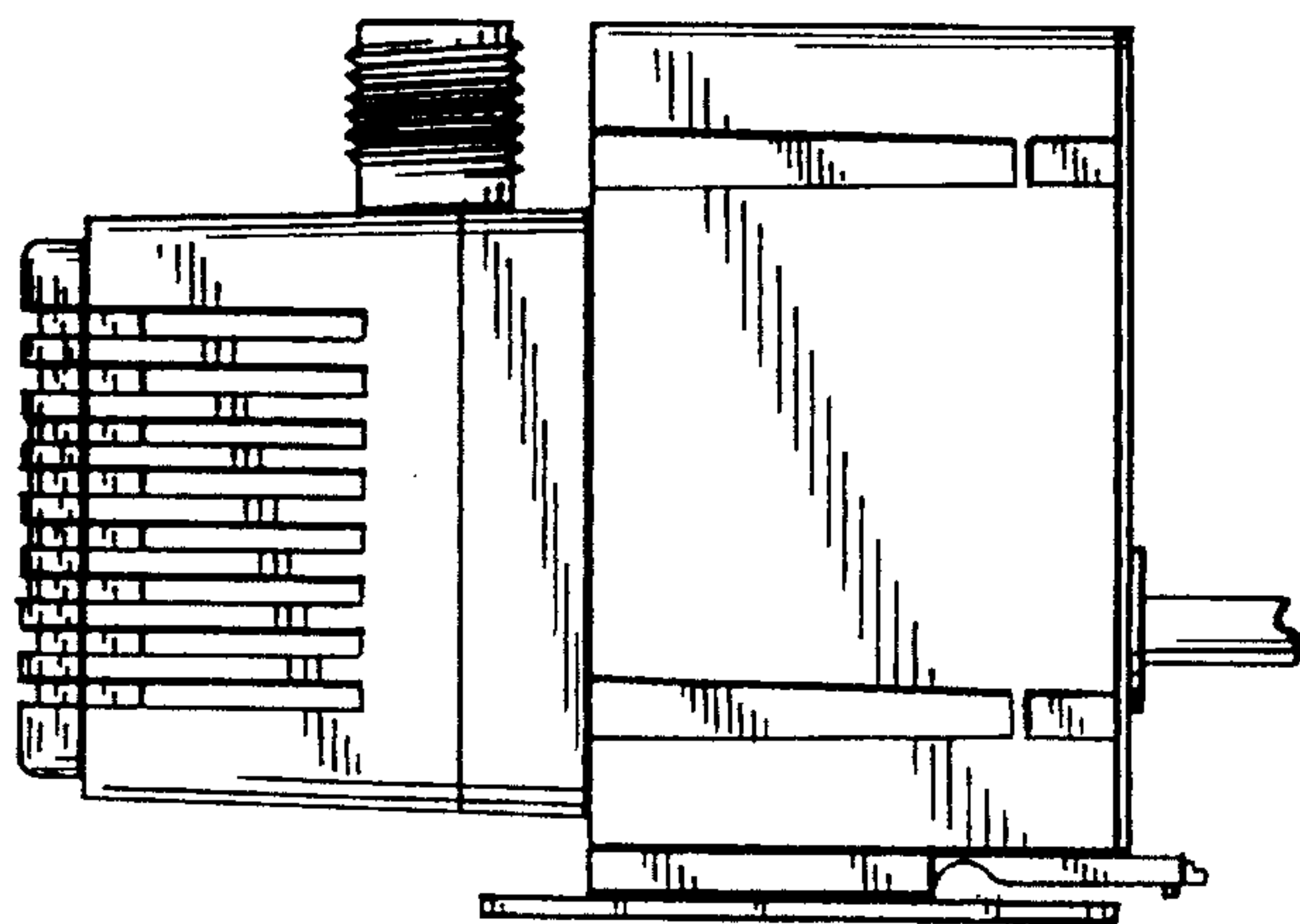


FIG. 4

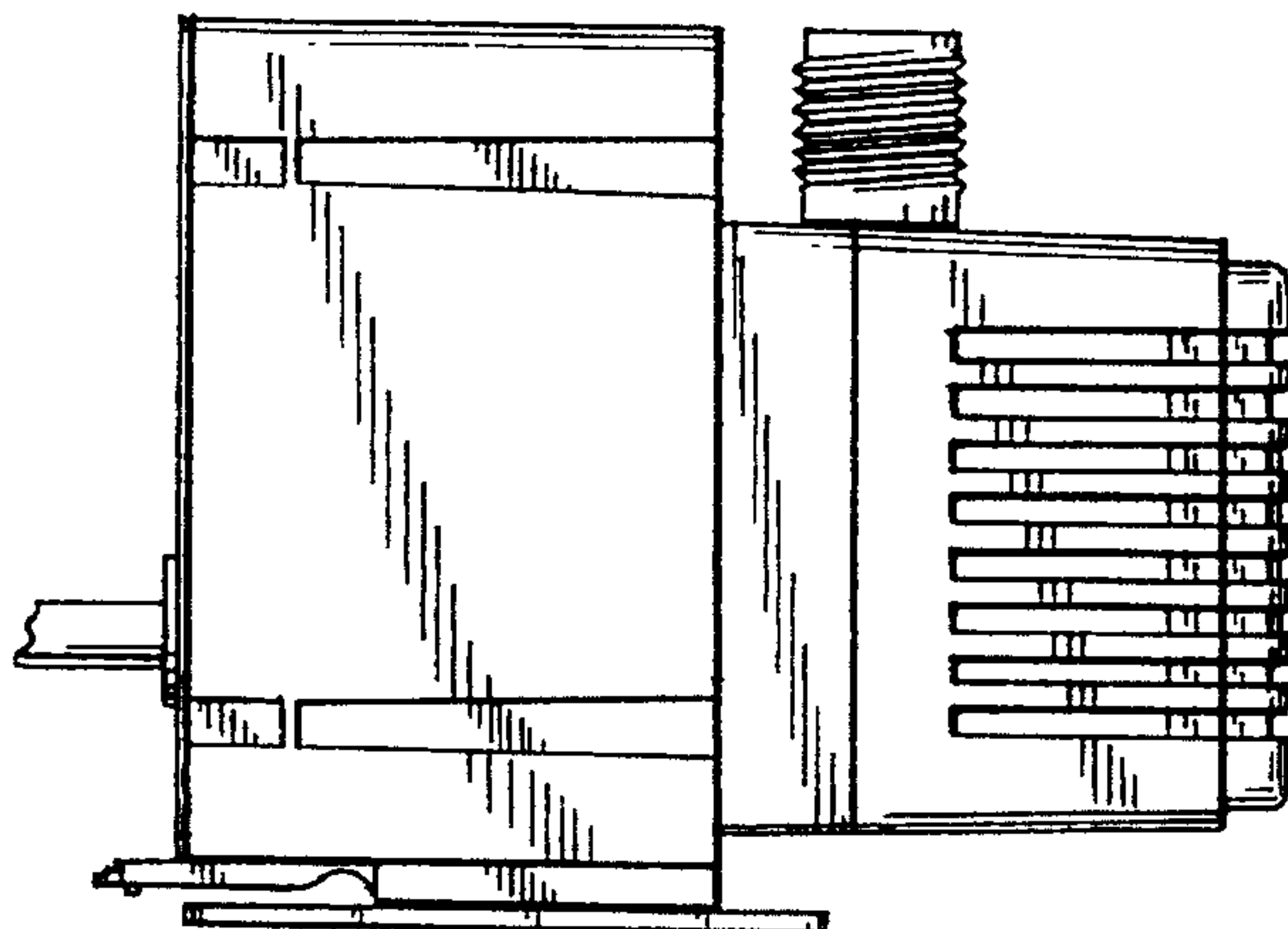


FIG. 5

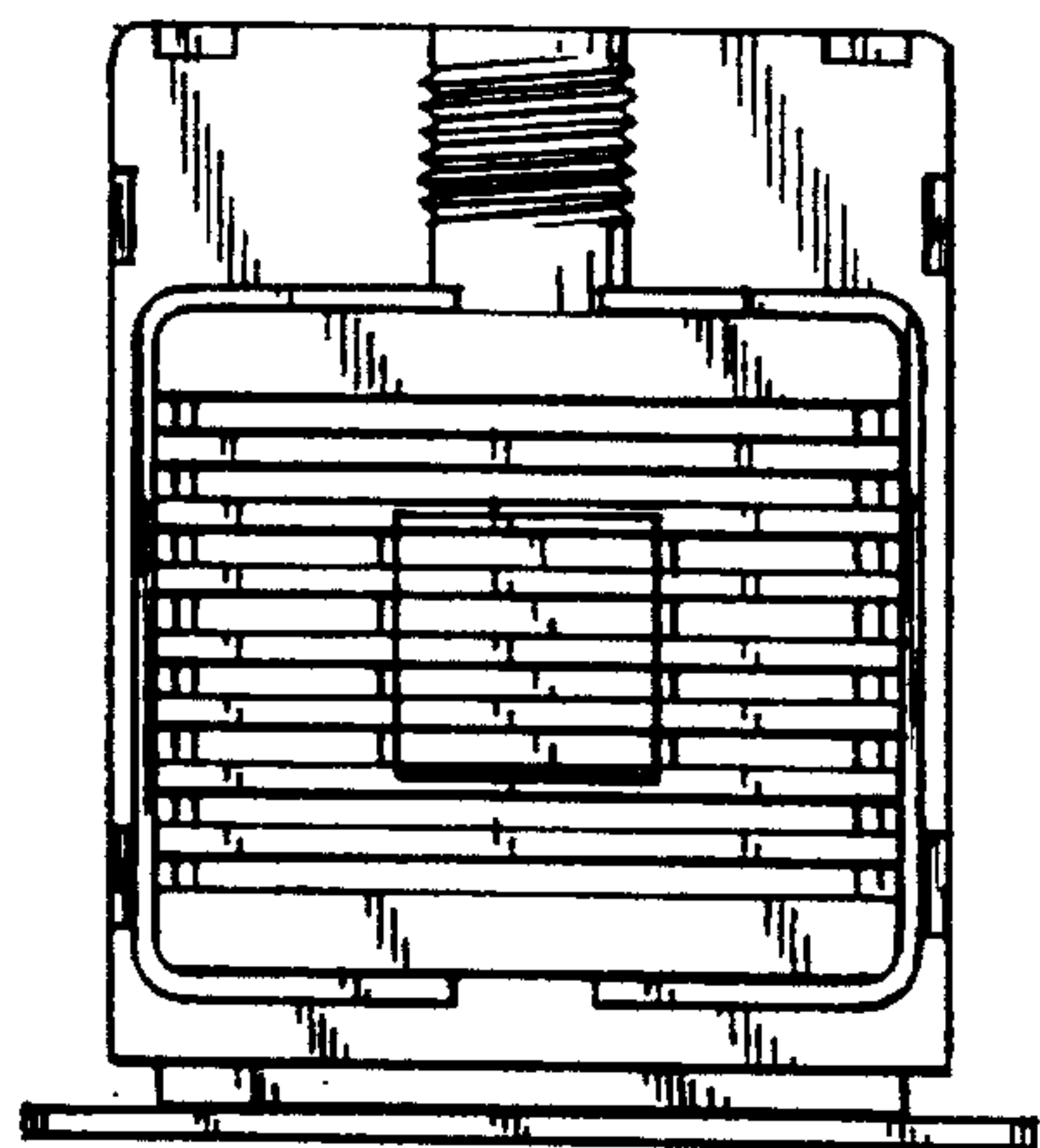


FIG. 6

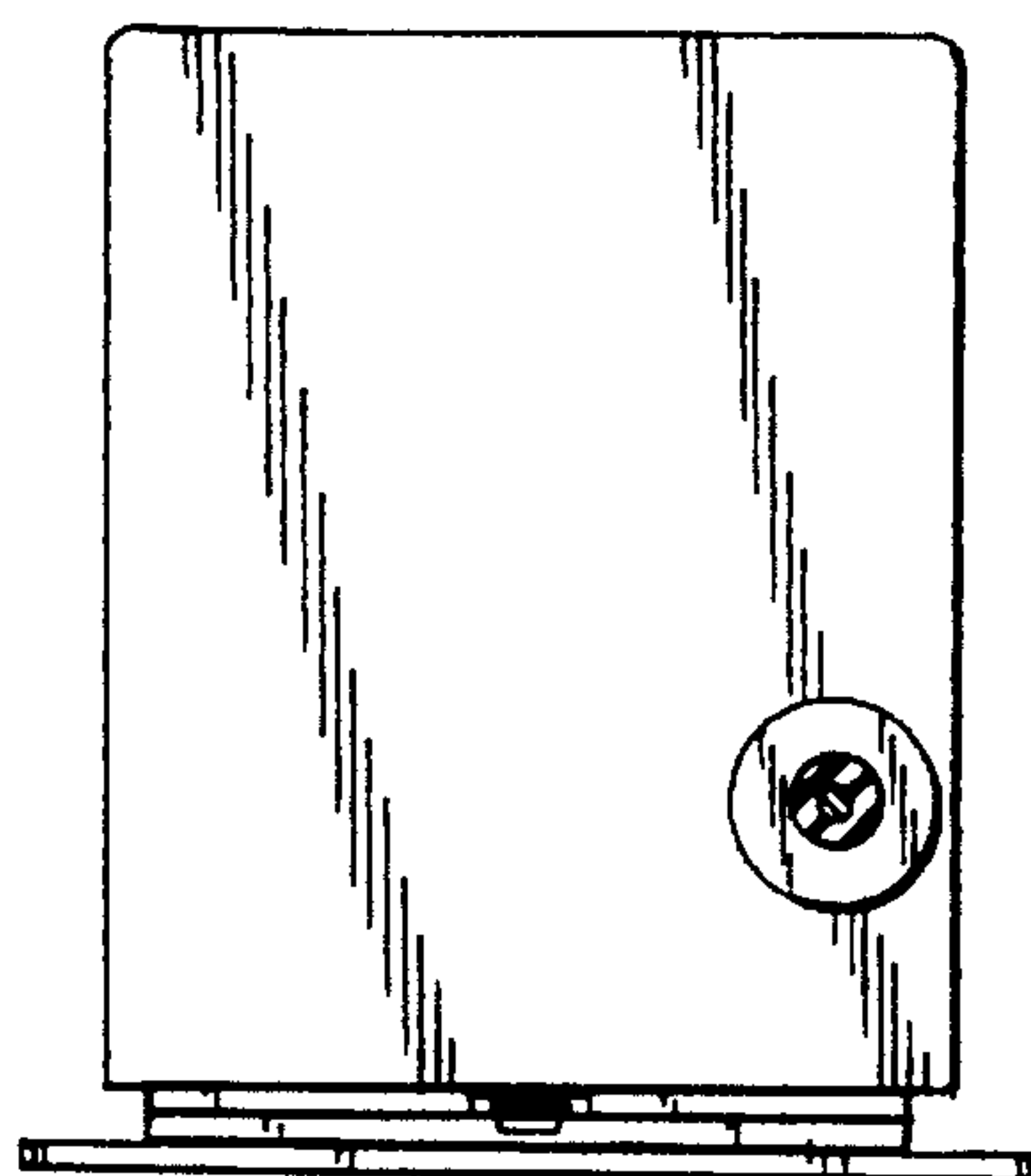


FIG. 7