



US00D376369S

# United States Patent [19]

[11] Patent Number: **Des. 376,369**

Schumaker et al.

[45] Date of Patent: **\*\*Dec. 10, 1996**

[54] **FRONT PANEL FOR AN AUTOMOTIVE AUDIO SYSTEM**

[75] Inventors: **Nevenka Schumaker**, Bloomfield Hills;  
**Mark K. Fosmoen**, Richmond, both of Mich.

[73] Assignee: **Ford Motor Company**, Dearborn, Mich.

[\*\*] Term: **14 Years**

[21] Appl. No.: **45,866**

[22] Filed: **Oct. 31, 1995**

[52] U.S. Cl. .... **D14/258**

[58] Field of Search ..... D14/115, 258,  
D14/257; 455/344-346

[56] **References Cited**

**U.S. PATENT DOCUMENTS**

- D. 333,307 2/1993 Sliper et al. .
- D. 334,572 4/1993 Gauthier et al. .
- D. 343,842 2/1994 Fowler et al. .
- D. 350,139 8/1994 Fowler et al. .
- D. 350,964 9/1994 Fowler et al. .
- D. 354,492 1/1995 Schumaker et al. .
- D. 354,493 1/1995 Schumaker et al. .

- D. 354,494 1/1995 Schumaker et al. .
- D. 354,962 1/1995 Jazanoski et al. .
- D. 356,092 3/1995 McCauley et al. .... D14/258
- D. 356,317 3/1995 Culbertson ..... D14/257
- D. 362,446 9/1995 Gasiorek et al. .... D14/258
- D. 364,878 12/1995 Green et al. .... D14/258

*Primary Examiner*—Dominic Simone  
*Attorney, Agent, or Firm*—Mark Mollon

[57] **CLAIM**

The ornamental design for a front panel for an automotive audio system, as shown and described.

**DESCRIPTION**

FIG. 1 is a front, top, and left side perspective view of a front panel for an automotive audio system showing our new design;

FIG. 2 is a top view thereof;

FIG. 3 is a front view thereof;

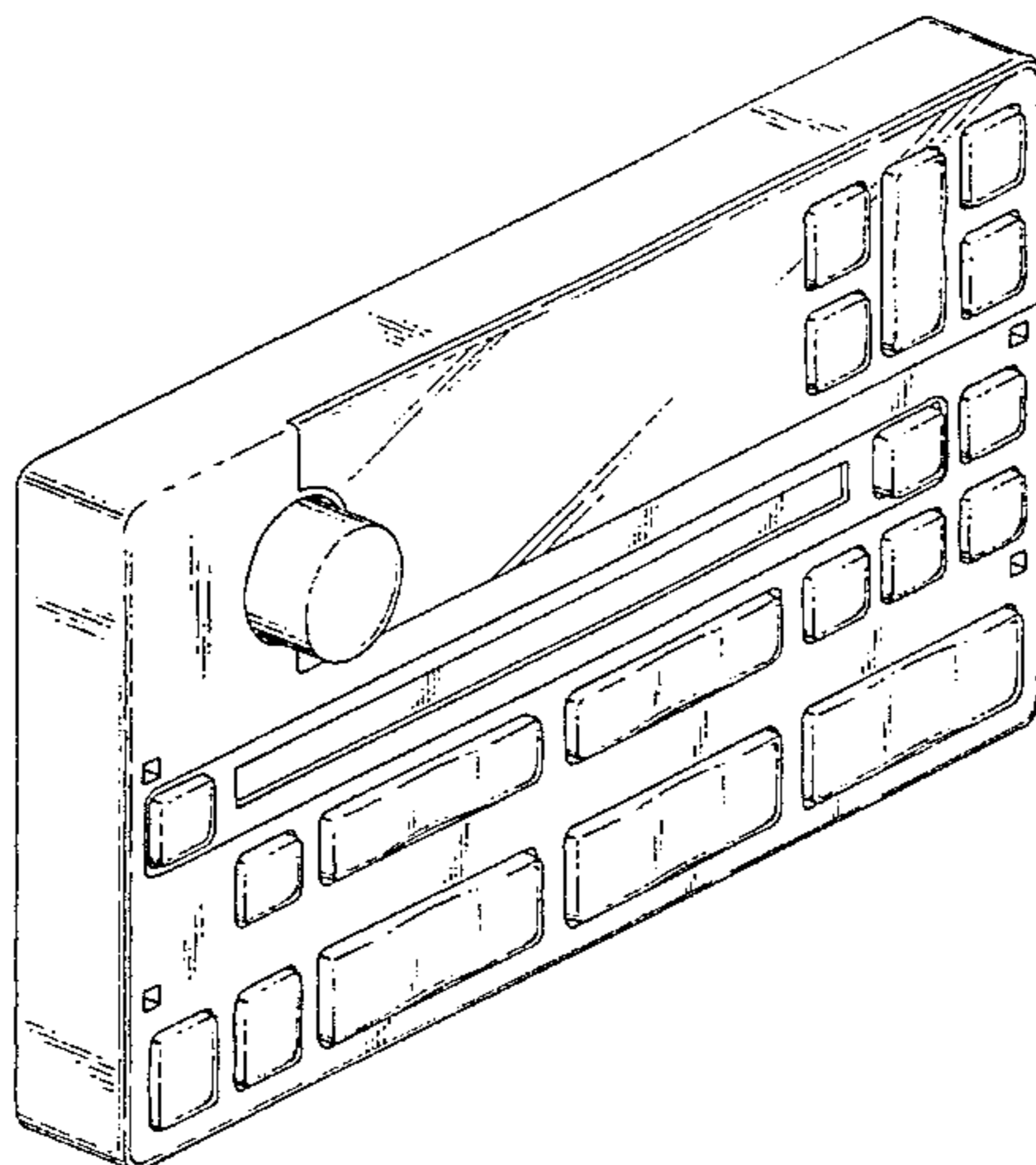
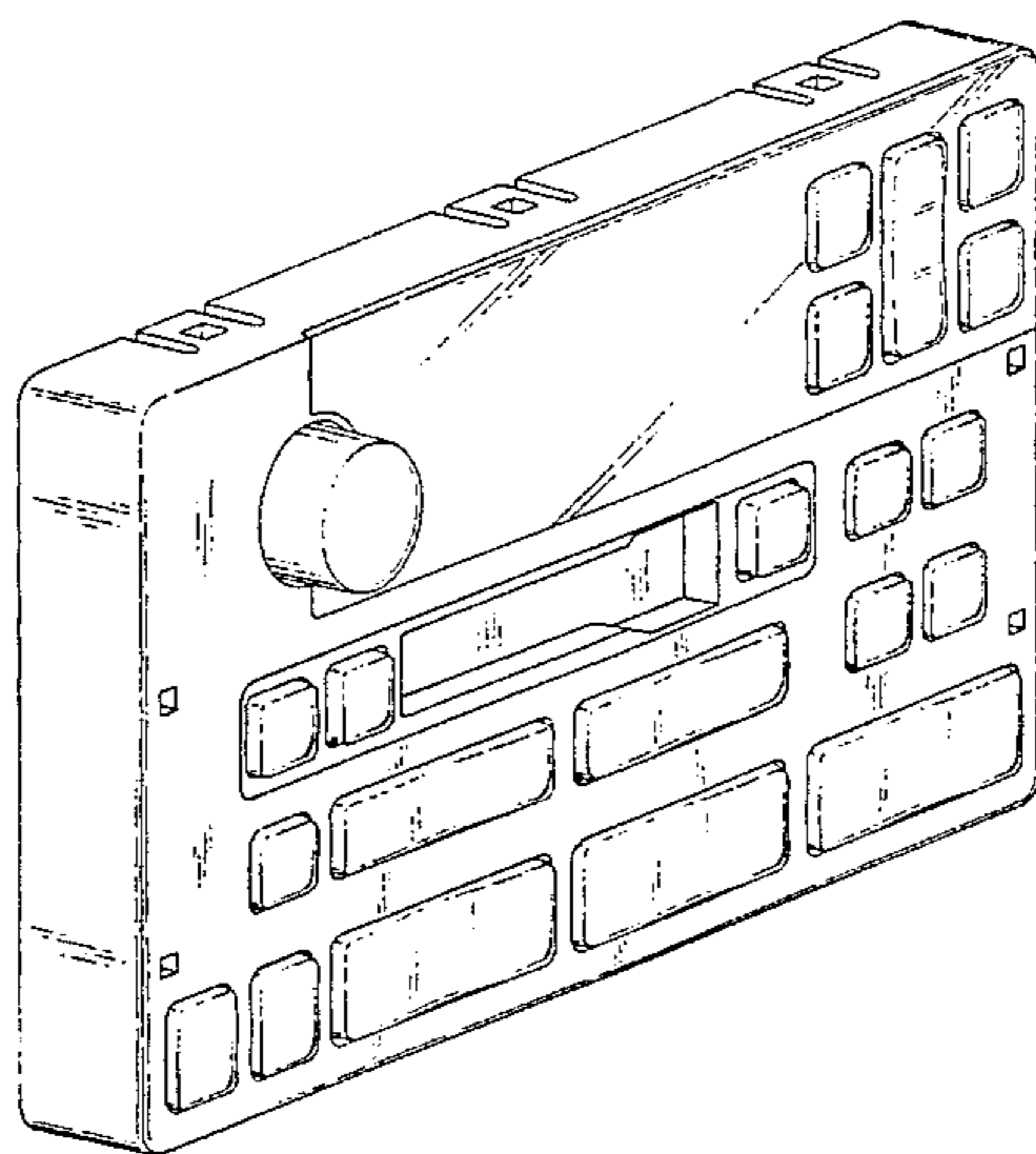
FIG. 4 is a bottom view thereof;

FIG. 5 is a left side view thereof;

FIG. 6 is a right side view thereof; and,

FIG. 7 is a front, top and left side perspective view of a front panel for a second embodiment of FIG. 1, the differences residing in the modification of the tape cassette aperture and controls for an aperture and controls for compact discs.

**1 Claim, 3 Drawing Sheets**



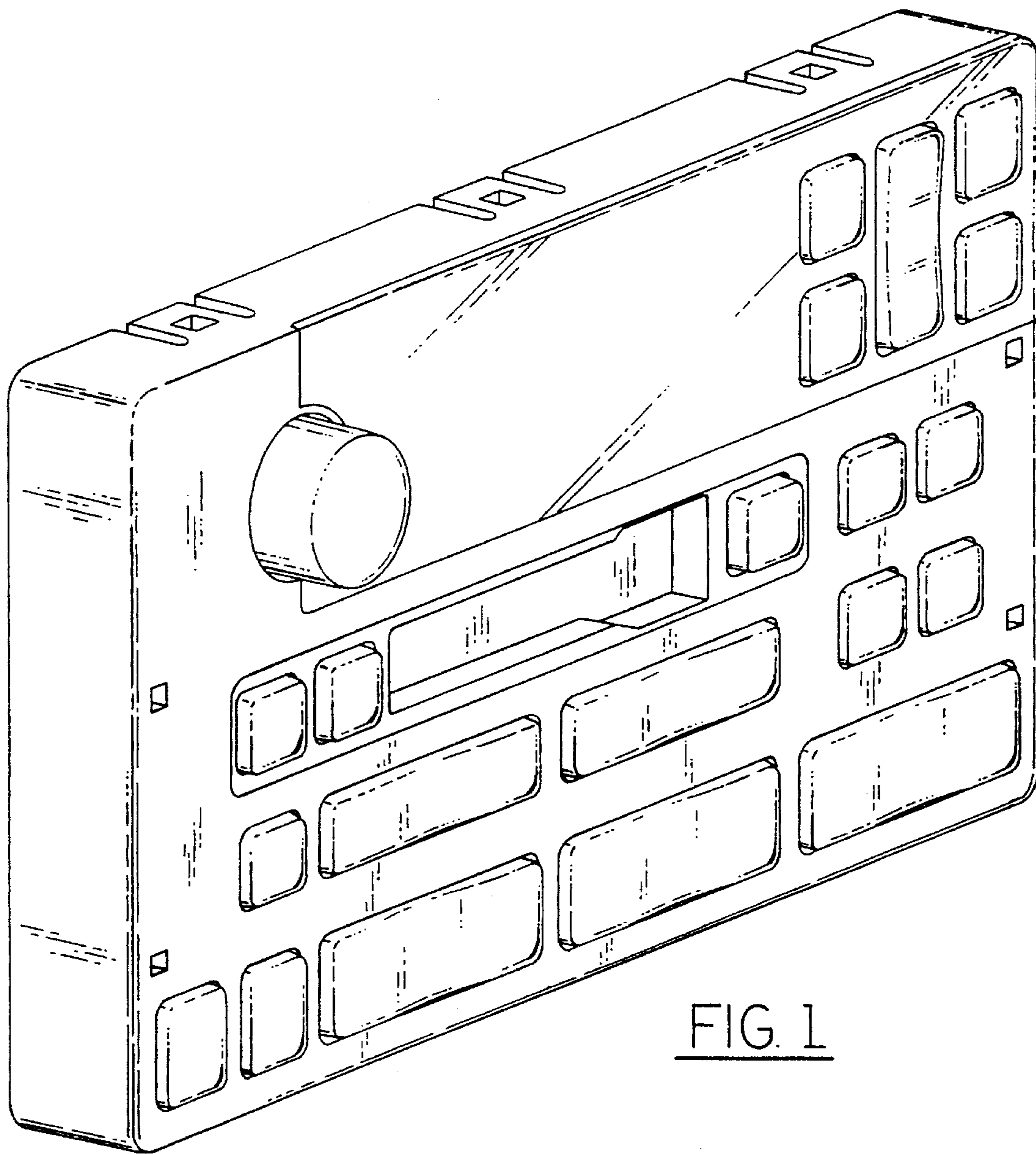


FIG. 1

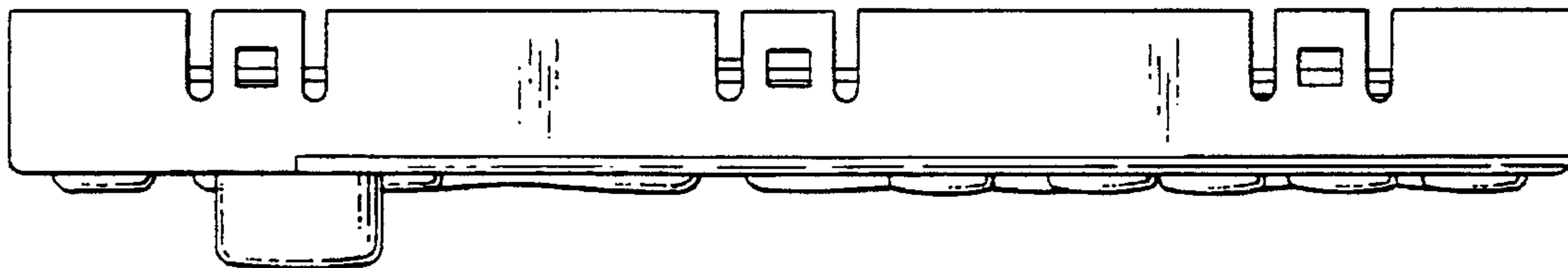


FIG. 2

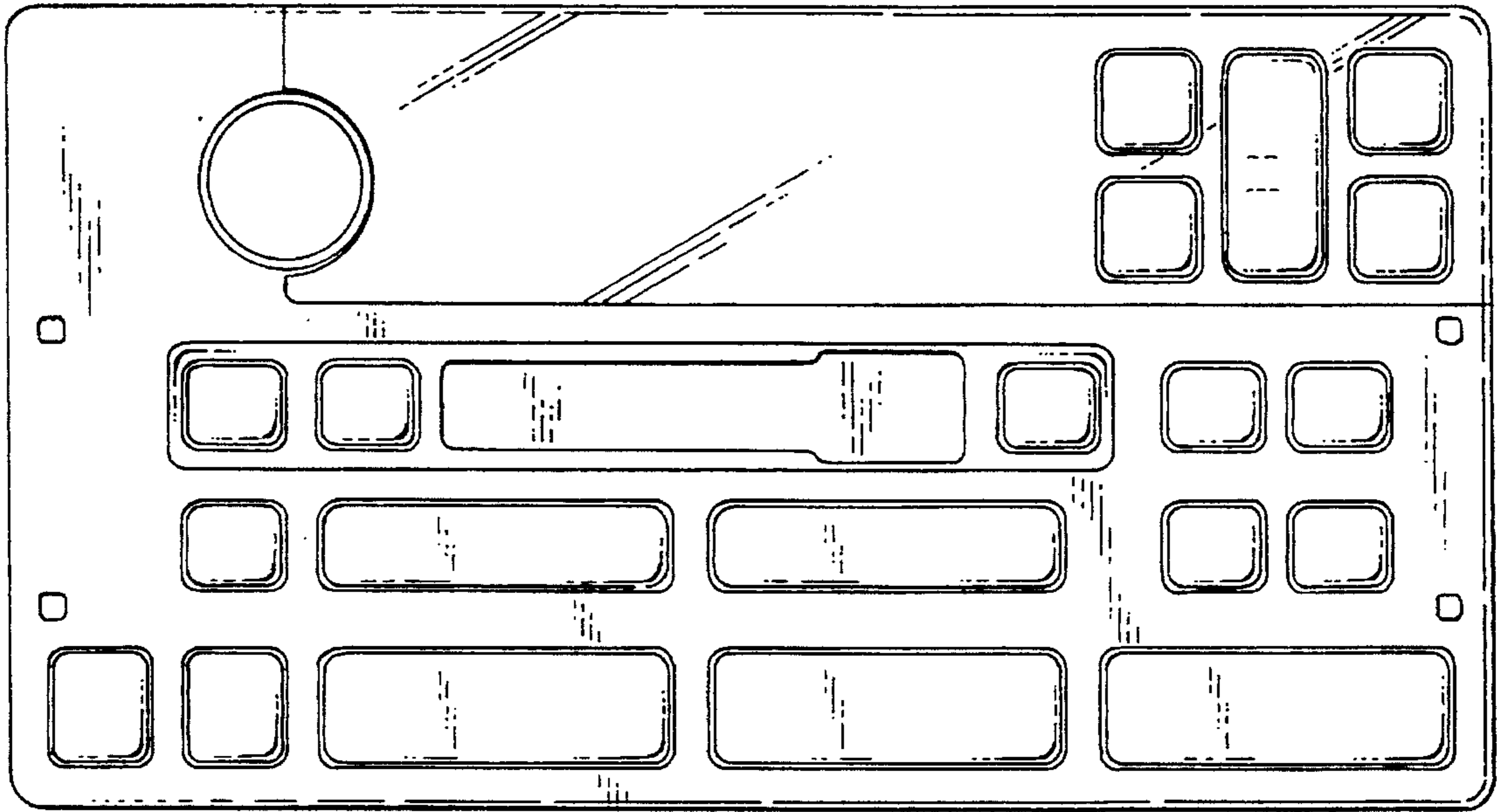


FIG. 3

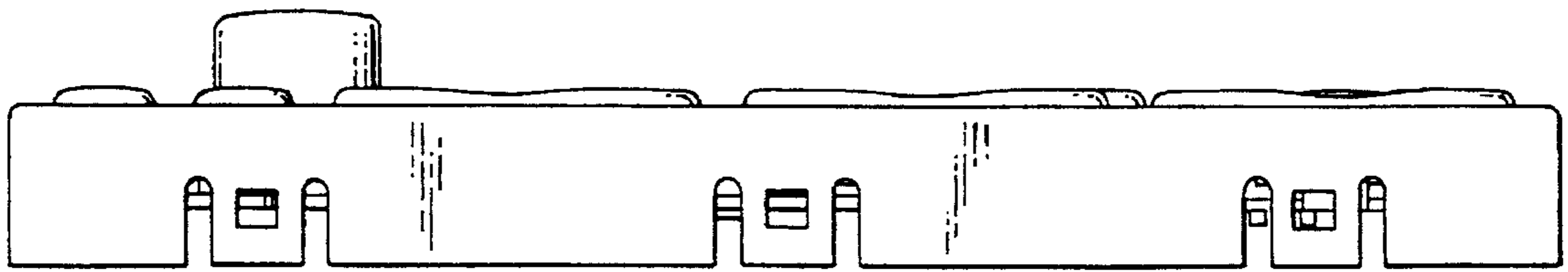


FIG. 4

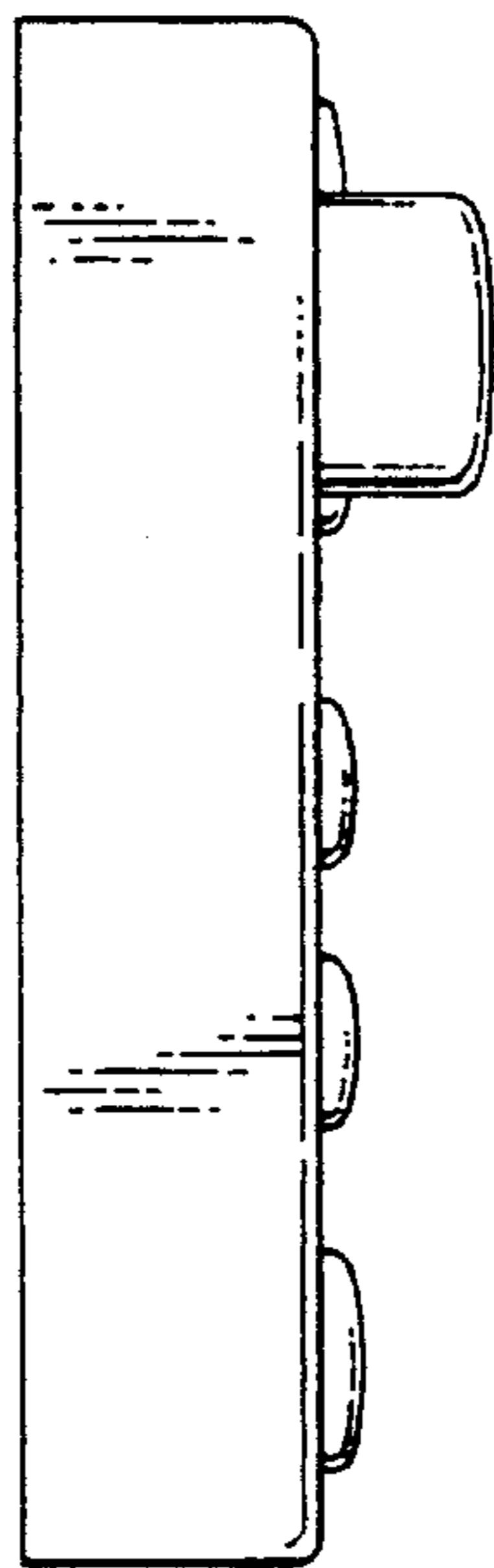


FIG. 5

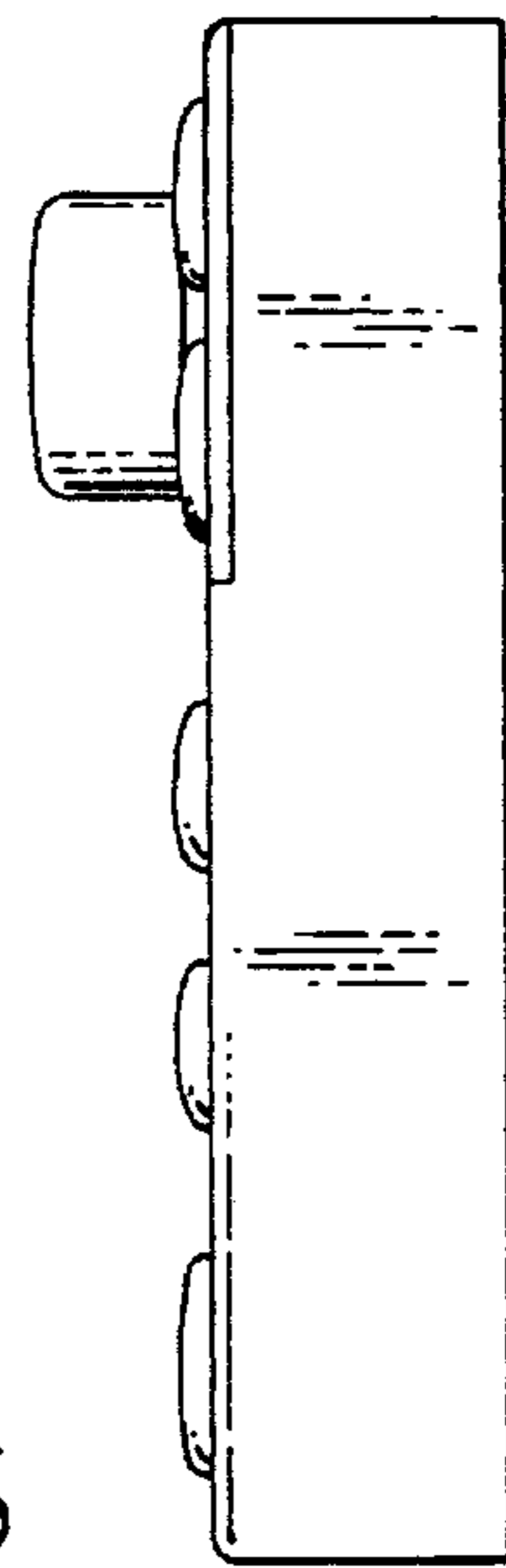


FIG. 6

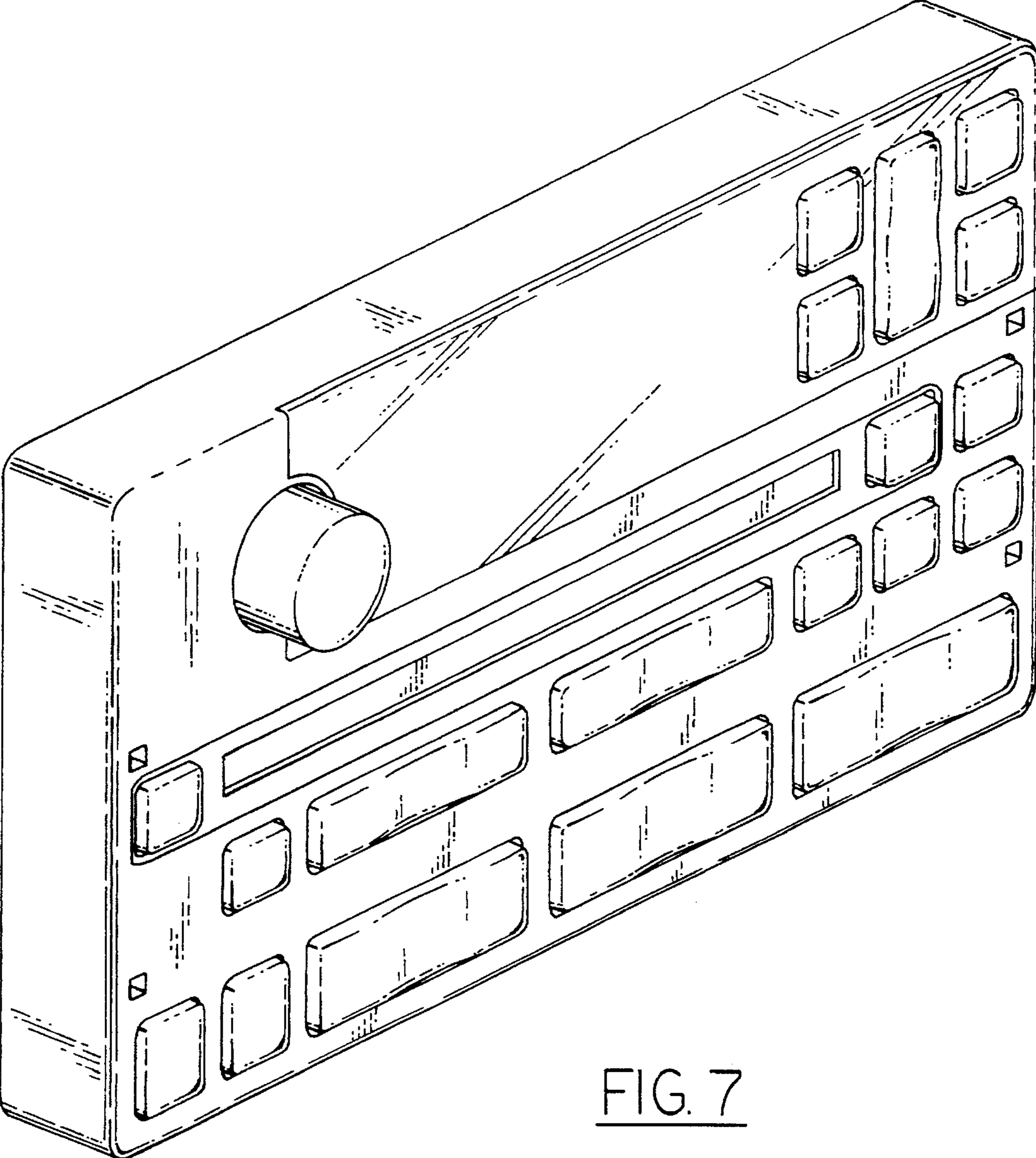


FIG. 7