



US00D376367S

# United States Patent [19]

[11] Patent Number: **Des. 376,367**

**Mailandt**

[45] Date of Patent: **\*\*Dec. 10, 1996**

[54] **ANTENNA ASSEMBLY WITH RADOME**

5,323,170 6/1994 Lang ..... 343/872

[75] Inventor: **Peter Mailandt**, Dallas, Tex.

*Primary Examiner*—Dominic Simone  
*Attorney, Agent, or Firm*—Laff, Whitesel, Conte & Saret, Ltd.

[73] Assignee: **Allen Telecom Group, Inc.**, Solon, Ohio

[57] **CLAIM**

[\*\*] Term: **14 Years**

The ornamental design for an antenna assembly with radome, as shown and described.

[21] Appl. No.: **38,667**

**DESCRIPTION**

[22] Filed: **May 9, 1995**

[52] **U.S. Cl.** ..... **D14/230**

[58] **Field of Search** ..... D14/230, 231;  
343/700 R, 727, 780, 872

FIG. 1 is a front perspective view of an antenna assembly with radome, showing my new design;  
FIG. 2 is a front plan view of FIG. 1;  
FIG. 3 is a side elevational view of FIG. 1, the other side being a mirror image thereof;  
FIG. 4 is an end elevational view of FIG. 1, the other end being a mirror image thereof; and,  
FIG. 5 is a back elevational view of FIG. 1.

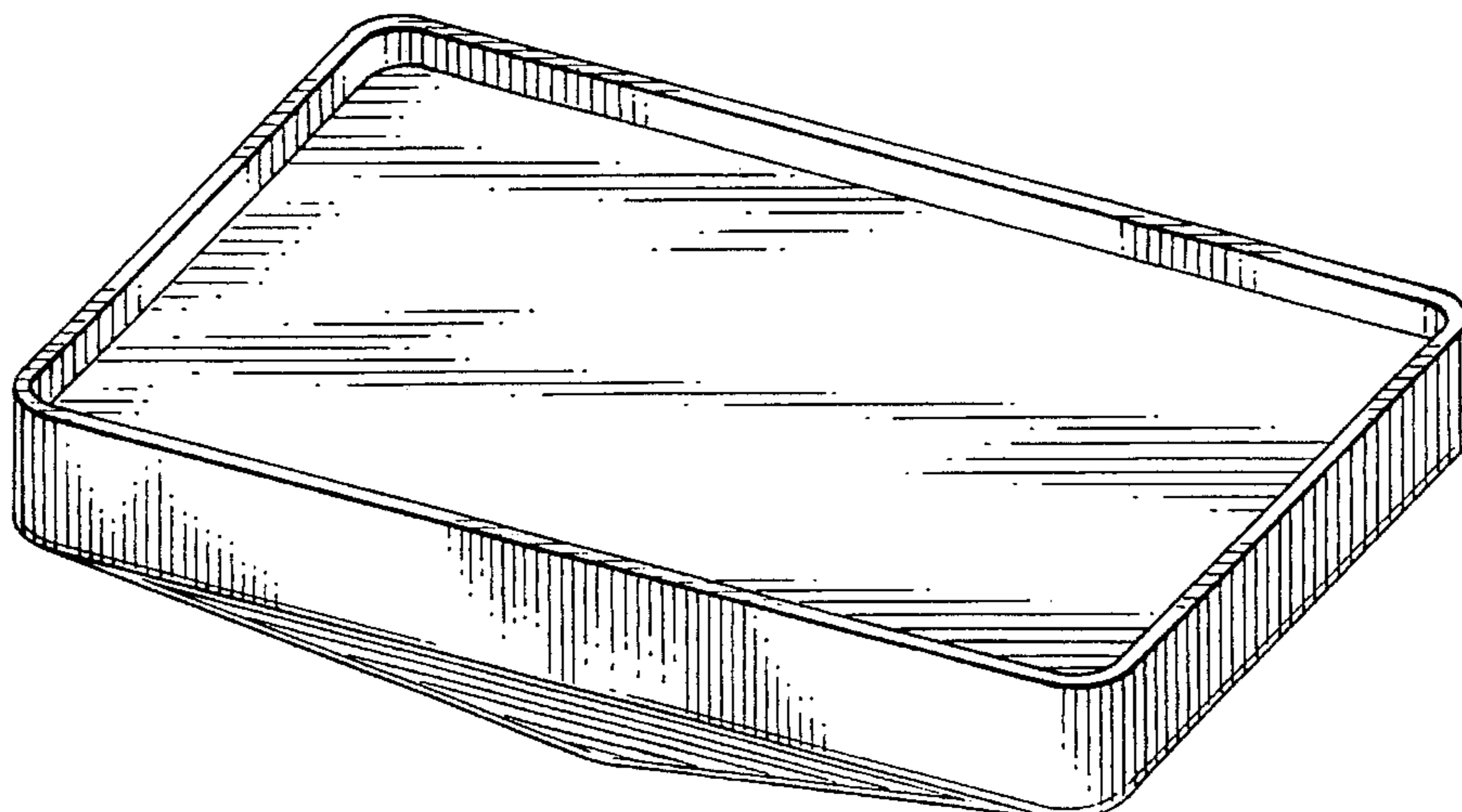
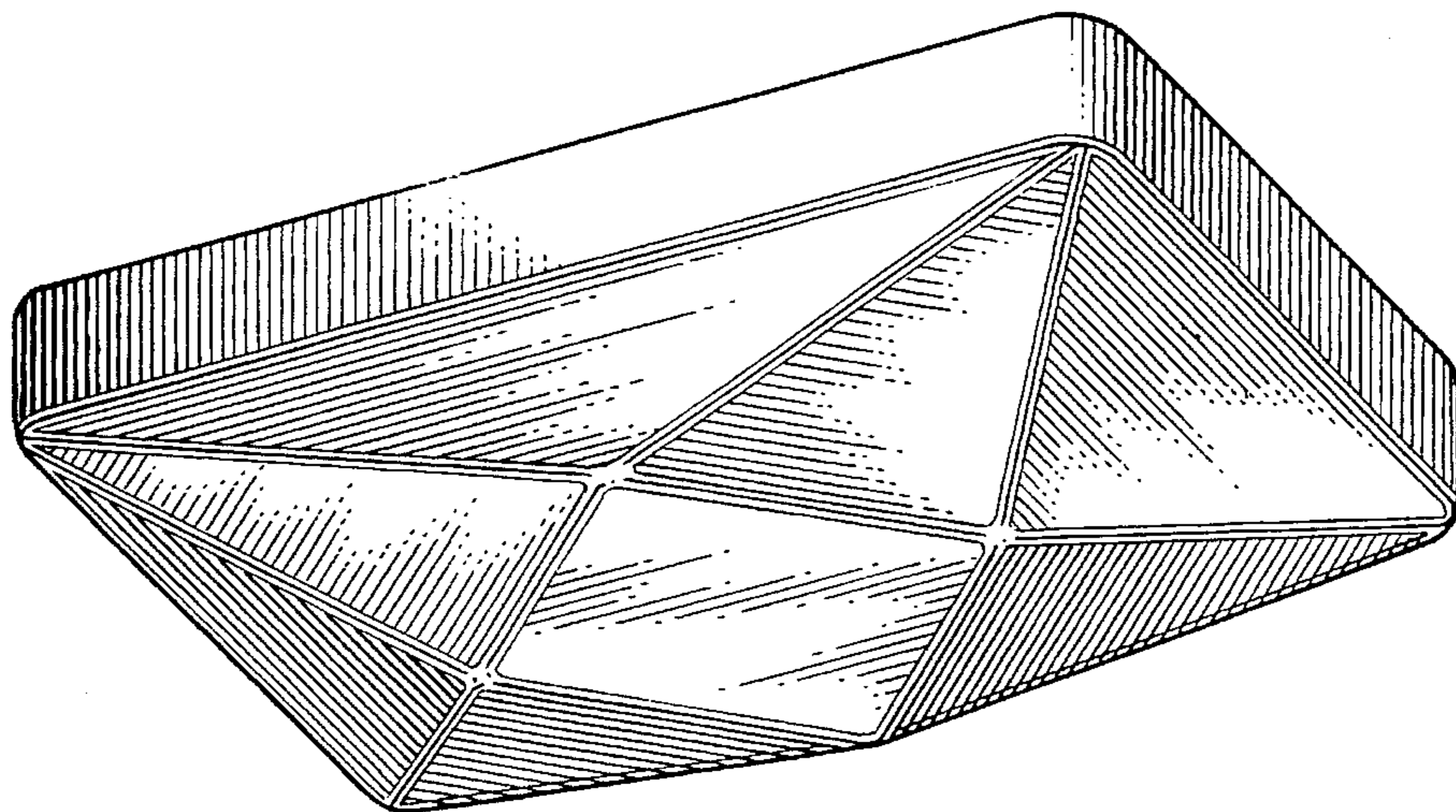
[56] **References Cited**

**U.S. PATENT DOCUMENTS**

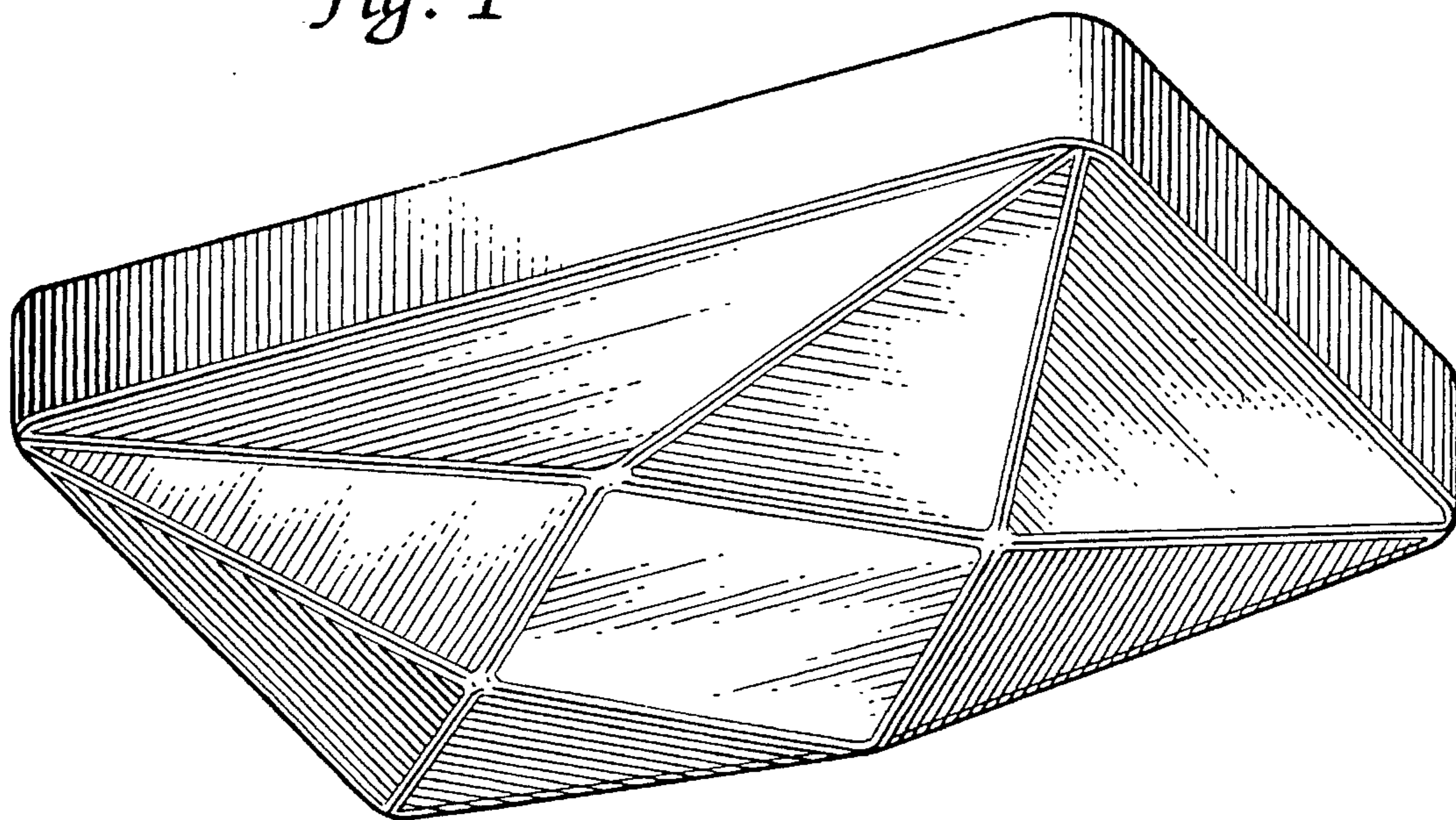
D. 211,028	5/1968	Zucconi	.....	D14/230
D. 327,691	7/1992	Ogawa et al.	.....	D14/230
D. 338,206	8/1993	Sawazuchi et al.	.....	D14/230
2,611,869	9/1952	Willoughby	.....	343/727
5,182,155	1/1993	Roe	.....	343/872 X

The broken line disclosure in FIGS. 4 and 5 is for illustrative purpose only and forms no part of the claim.

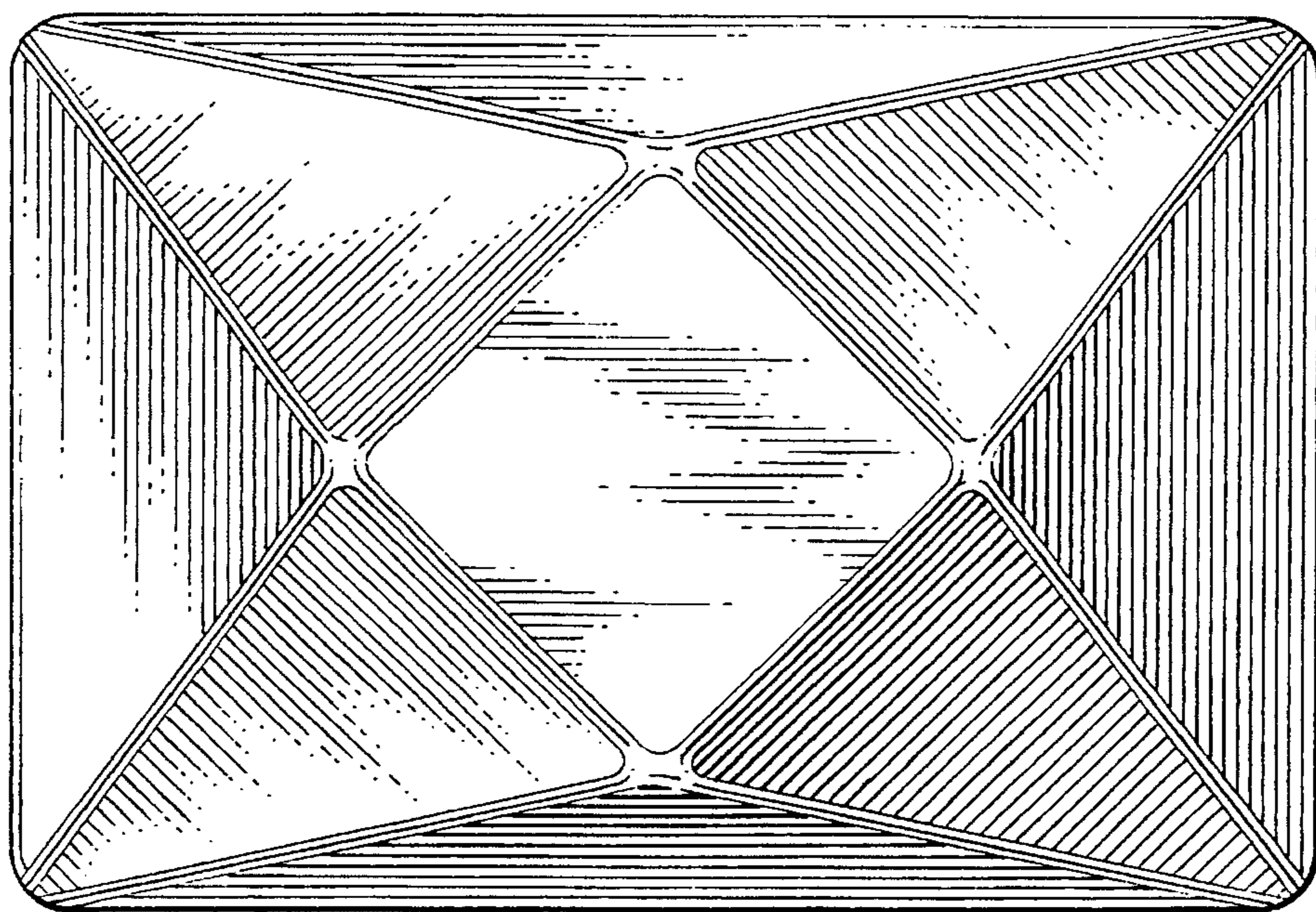
**1 Claim, 2 Drawing Sheets**



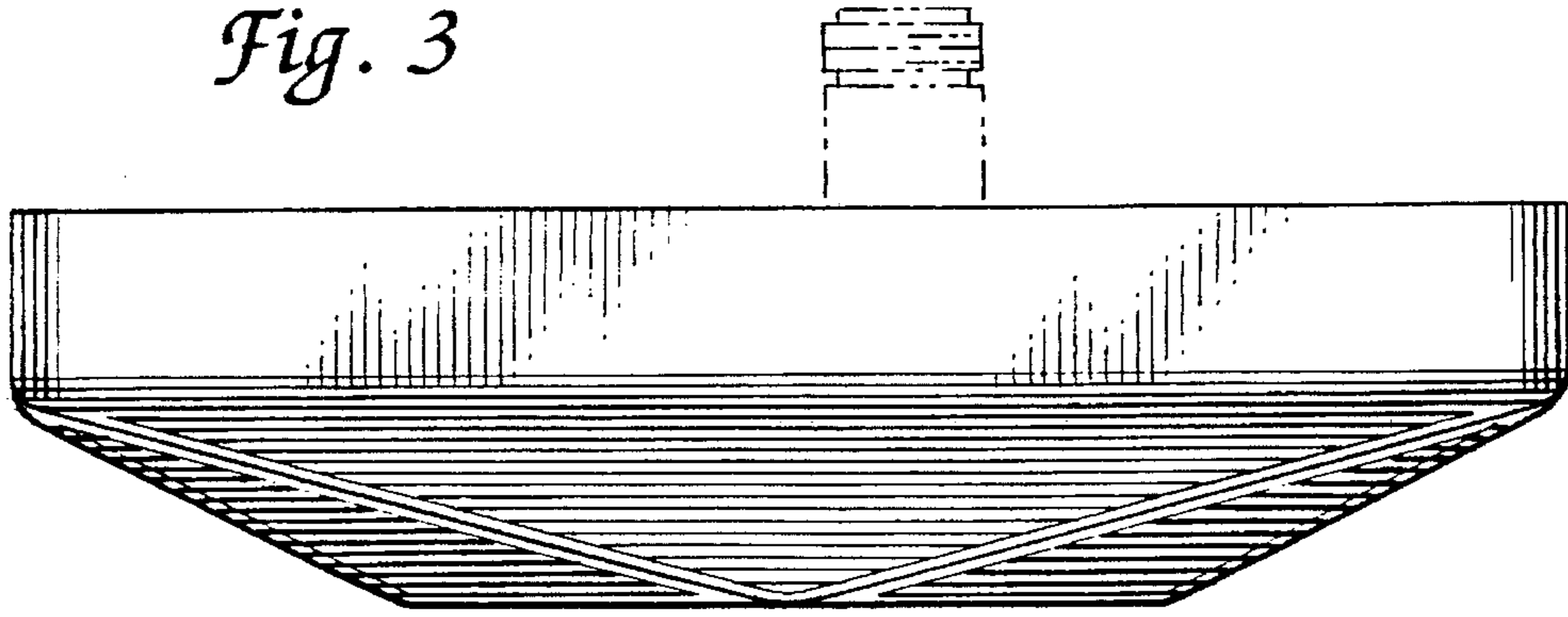
*Fig. 1*



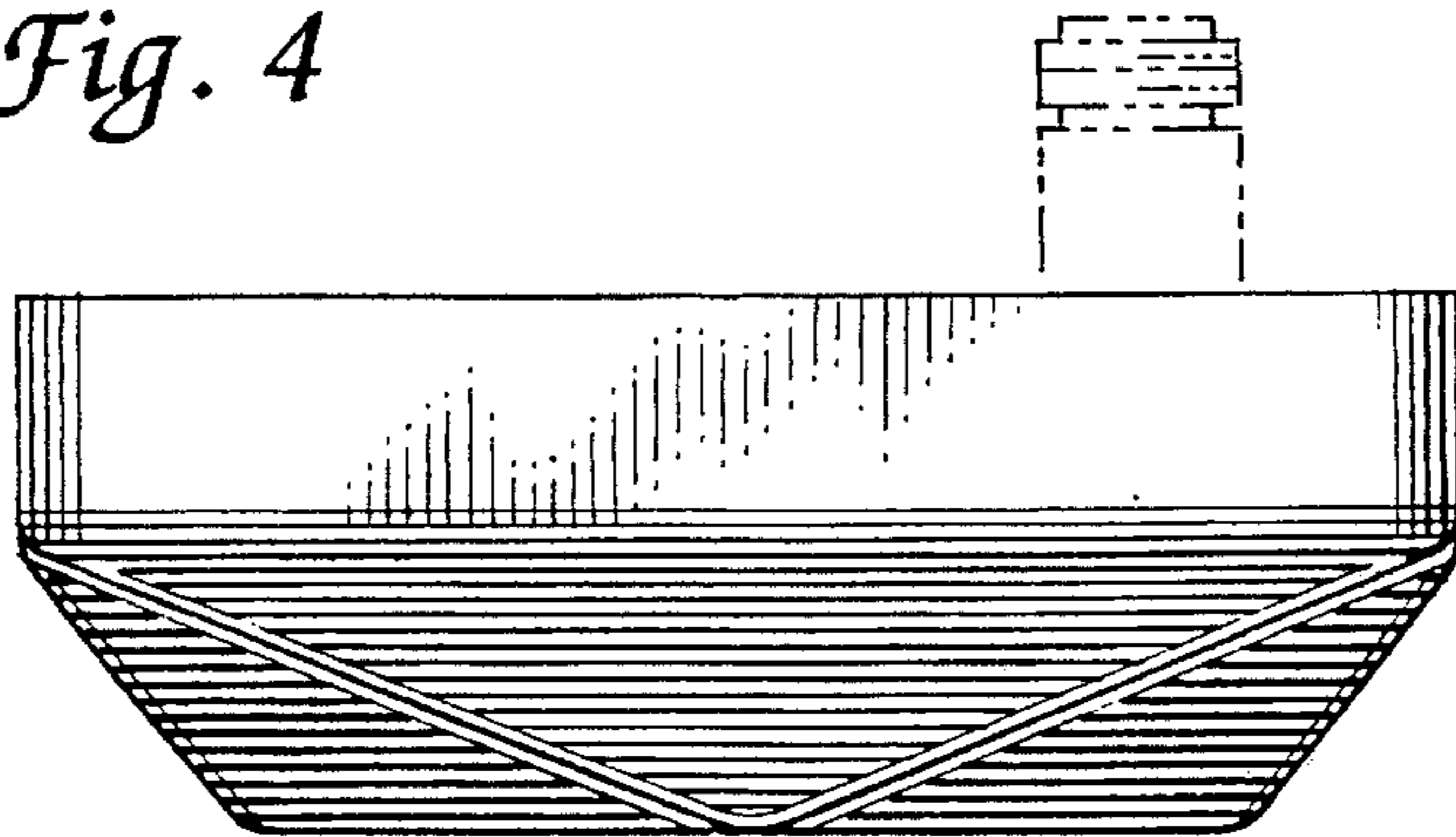
*Fig. 2*



*Fig. 3*



*Fig. 4*



*Fig. 5*

